

Product data sheet

Specifications



Monolithic tower lights, Harmony XVG, 60mm, red green, steady light, aluminium tube mounting and foldable bracket, IP40, 24V AC/DC

XVGB2M

Main

| | |
|------------------------------------|--|
| Range of product | Harmony XVG |
| Product or component type | Complete pre-wired monolithic tower light |
| Beacon or indicator bank unit type | 2 illuminated units |
| Material | PC (UL94 V-2): globe ABS (UL94HB): tube body Aluminium: tube |
| Mounting diameter | 60 mm |
| Component name | XVG |
| Device mounting | Tube mounting with foldable bracket |
| Light source | LED steady red LED steady green |
| Light block color | Red/green |
| Indicator bank base type | Base without buzzer |

Complementary

| | |
|--|----------------------|
| Rated supply voltage | 24 V AC/DC |
| Cable cross section | 0.33 mm ² |
| Discrete output type | PNP and NPN |
| [Uimp] rated impulse withstand voltage | 0.5 kV |
| Current consumption | 68 mA |
| Power consumption in W | 1.6 W |
| Fundamental frequency | 2.64 kHz |
| Net weight | 0.36 kg |

Environment

| | |
|---------------------------------------|-------------|
| Product certifications | CE EAC |
| Ambient air temperature for storage | -35...70 °C |
| Ambient air temperature for operation | -10...50 °C |
| IP degree of protection | IP40 |

Packing Units

| | |
|------------------------------|---------|
| Unit Type of Package 1 | PCE |
| Number of Units in Package 1 | 1 |
| Package 1 Height | 8.5 cm |
| Package 1 Width | 13.9 cm |
| Package 1 Length | 54.7 cm |
| Package 1 Weight | 571.0 g |
| Unit Type of Package 2 | S06 |
| Number of Units in Package 2 | 30 |
| Package 2 Height | 73.5 cm |
| Package 2 Width | 60.0 cm |
| Package 2 Length | 80.0 cm |
| Package 2 Weight | 28.0 kg |

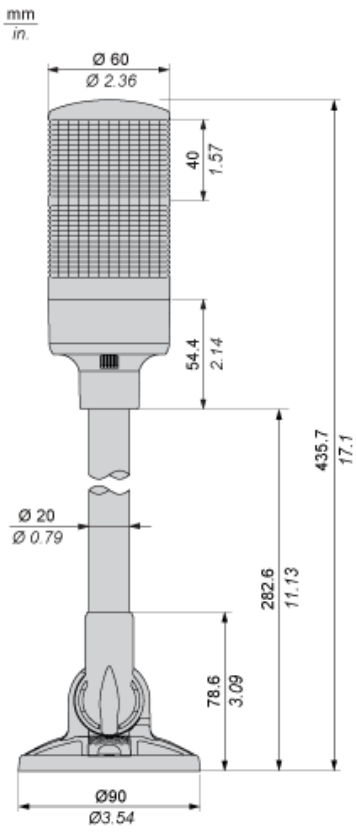
Offer Sustainability

| | |
|----------------------------|---|
| Sustainable offer status | Green Premium product |
| REACH Regulation | REACH Declaration |
| EU RoHS Directive | Pro-active compliance (Product out of EU RoHS legal scope) EU RoHS Declaration |
| Mercury free | Yes |
| China RoHS Regulation | China RoHS declaration |
| RoHS exemption information | Yes |
| Environmental Disclosure | Product Environmental Profile |
| Circularity Profile | End of Life Information |
| California proposition 65 | WARNING: This product can expose you to chemicals including: Lead and lead compounds, which is known to the State of California to cause cancer and birth defects or other reproductive harm. For more information go to www.P65Warnings.ca.gov |

Contractual warranty

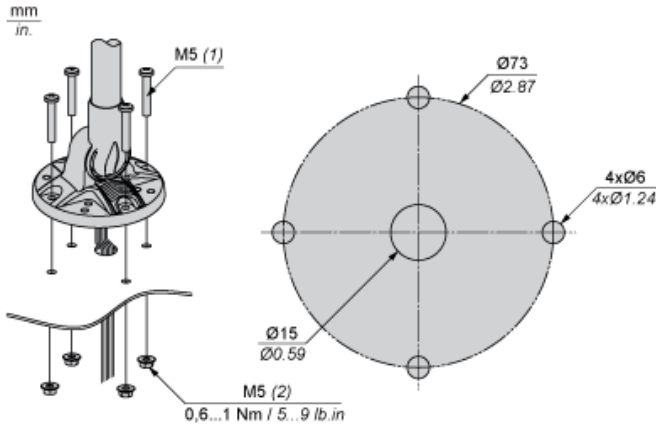
| | |
|----------|-----------|
| Warranty | 18 months |
|----------|-----------|

Dimensions



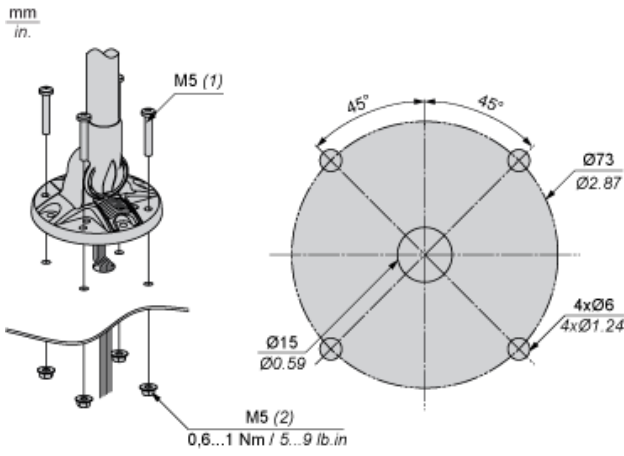
Mounting

Ø73 mm/2.87 in., Standard



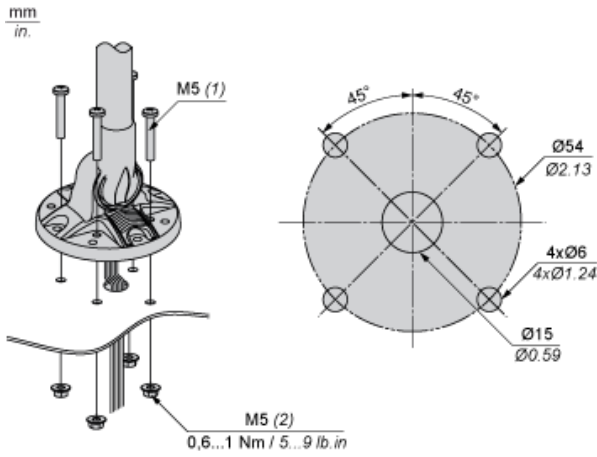
- (1) Thickness + 10 mm/0.39 in.
- (2) Hexagon Nut with flange

Ø73 mm/2.87 in., 45°



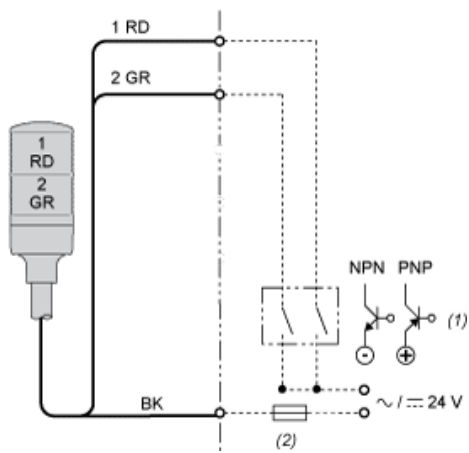
- (1) Thickness + 10 mm/0.39 in.
- (2) Hexagon Nut with flange

Ø54 mm/2.13 in., 45°



- (1) Thickness + 10 mm/0.39 in.
- (2) Hexagon Nut with flange

Wiring



- (1) "ON" for lighting and/or applying continuous sound.
 - (2) Fuse (rated current: 0.5 A)
- RD : Red
GR : Green
BK : Black

Recommended replacement(s)

X-ON Electronics

Largest Supplier of Electrical and Electronic Components

Click to view similar products for [Beacon Accessories](#) category:

Click to view products by [Schneider](#) manufacturer:

Other Similar products are found below :

[8WD4400-1AC](#) [LR6-M2WJNW](#) [XVBL0B4](#) [97584080](#) [XVGB3ST](#) [XVMB2RAGSSB](#) [8LT7ALBM](#) [XVGB3](#) [XVGB3SH](#) [HBJD-CZ-4-S](#)
[XVGB4H](#) [XVGB2M](#) [XVGB4](#) [96000005](#) [96000051](#) [XVGB4S](#) [64723075](#) [64587075](#) [64733075](#) [XVGM2SW](#) [8LT7ALBB](#) [XVGB3M](#)
[XVGB4ST](#) [84330055](#) [XVGM3ST](#) [96063009](#) [63930001](#) [XVGB2W](#) [XVGB1SMFA](#) [XVGM3SH](#) [64091000](#) [XVGM2SM](#) [XVGB4SW](#)
[XVGB4M](#) [XVGB4SM](#) [97584004](#) [XVGM3W](#) [XVGM3S](#) [XVGM2W](#) [84310055](#) [XVGM1SA](#) [69935075](#) [XVGB4SH](#) [XVGB2](#) [XVGB2SW](#)
[XVGM1SFA](#) [XVGB3T](#) [XVGB3SM](#) [63445055](#) [96000047](#)