

Product data sheet

Specifications



Monolithic tower lights, Harmony XVG, 60mm, red orange green, steady light, aluminium tube mounting and foldable bracket, IP40, 24V AC/DC

XVGB3M

Main

Range of product	Harmony XVG
Product or component type	Complete pre-wired monolithic tower light
Beacon or indicator bank unit type	3 illuminated units
Material	PC (UL94 V-2): globe ABS (UL94HB): tube body Aluminium: tube
Mounting diameter	60 mm
Component name	XVG
Device mounting	Tube mounting with foldable bracket
Light source	LED steady red LED steady green LED steady amber
Light block color	Red/orange/green
Indicator bank base type	Base without buzzer

Complementary

Rated supply voltage	24 V AC/DC
Cable cross section	0.33 mm ²
Discrete output type	PNP and NPN
[Uimp] rated impulse withstand voltage	0.5 kV
Current consumption	109 mA
Power consumption in W	3.1 W
Fundamental frequency	2.64 kHz
Net weight	0.4 kg

Environment

Product certifications	CE EAC
Ambient air temperature for storage	-35...70 °C

Ambient air temperature for operation	-10...50 °C
---------------------------------------	-------------

IP degree of protection	IP40
-------------------------	------

Packing Units

Unit Type of Package 1	PCE
------------------------	-----

Number of Units in Package 1	1
------------------------------	---

Package 1 Height	8.3 cm
------------------	--------

Package 1 Width	14.0 cm
-----------------	---------

Package 1 Length	54.4 cm
------------------	---------

Package 1 Weight	601.0 g
------------------	---------

Unit Type of Package 2	S04
------------------------	-----

Number of Units in Package 2	8
------------------------------	---

Package 2 Height	30 cm
------------------	-------

Package 2 Width	40 cm
-----------------	-------

Package 2 Length	60 cm
------------------	-------

Package 2 Weight	5.76 kg
------------------	---------

Unit Type of Package 3	P06
------------------------	-----

Number of Units in Package 3	30
------------------------------	----

Package 3 Height	72 cm
------------------	-------

Package 3 Width	60 cm
-----------------	-------

Package 3 Length	80 cm
------------------	-------

Package 3 Weight	30.6 kg
------------------	---------

Offer Sustainability

Sustainable offer status	Green Premium product
--------------------------	-----------------------

REACH Regulation	REACH Declaration
------------------	-----------------------------------

EU RoHS Directive	Pro-active compliance (Product out of EU RoHS legal scope) EU RoHS Declaration
-------------------	---

Mercury free	Yes
--------------	-----

China RoHS Regulation	China RoHS declaration
-----------------------	--

RoHS exemption information	Yes
----------------------------	-----

Environmental Disclosure	Product Environmental Profile
--------------------------	---

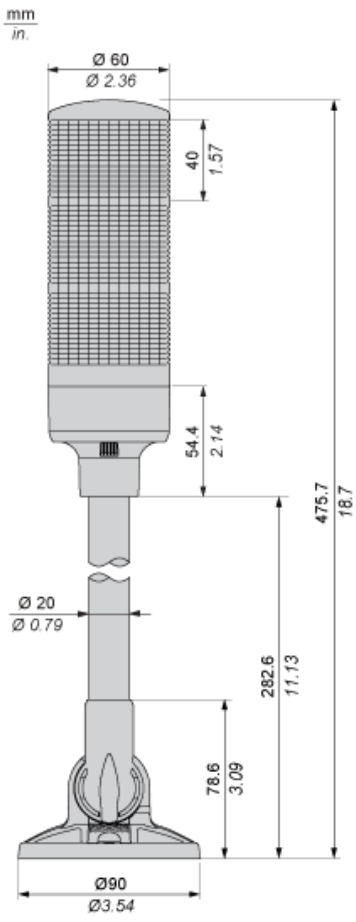
Circularity Profile	End of Life Information
---------------------	---

California proposition 65	WARNING: This product can expose you to chemicals including: Lead and lead compounds, which is known to the State of California to cause cancer and birth defects or other reproductive harm. For more information go to www.P65Warnings.ca.gov
---------------------------	---

Contractual warranty

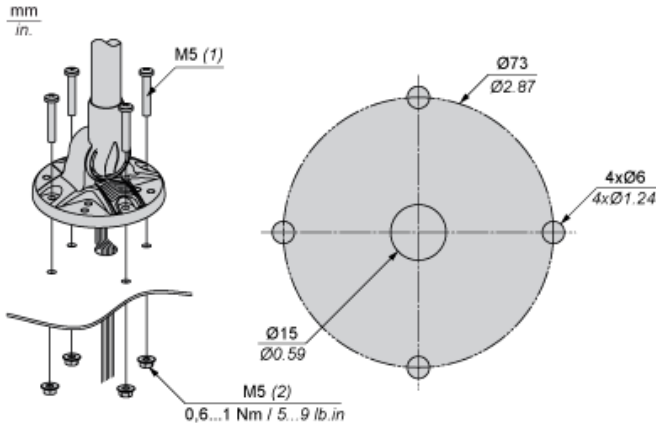
Warranty	18 months
----------	-----------

Dimensions



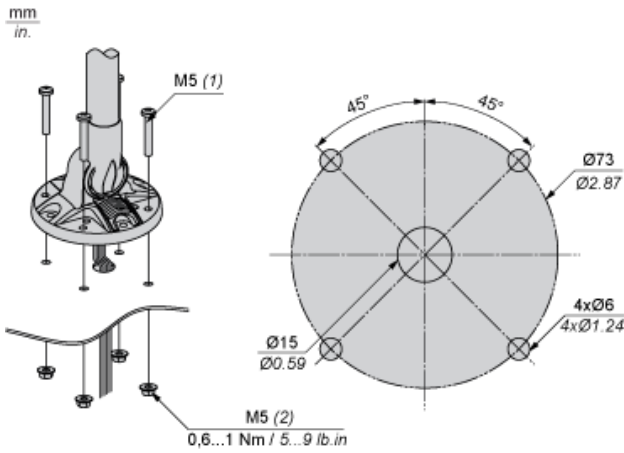
Mounting

Ø73 mm/2.87 in., Standard



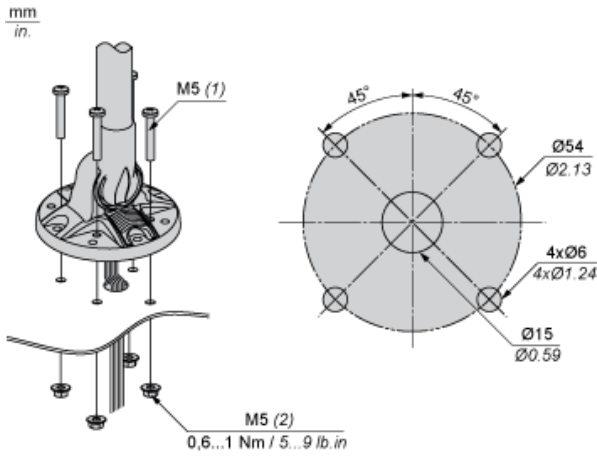
- (1) Thickness + 10 mm/0.39 in.
- (2) Hexagon Nut with flange

Ø73 mm/2.87 in., 45°



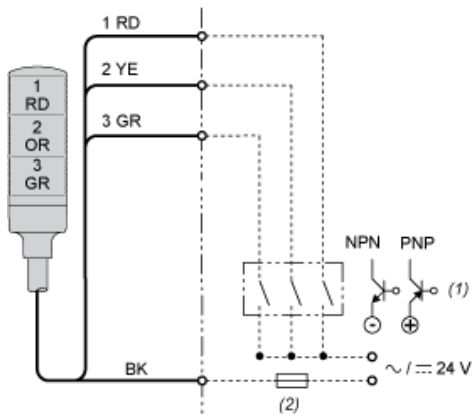
- (1) Thickness + 10 mm/0.39 in.
- (2) Hexagon Nut with flange

Ø54 mm/2.13 in., 45°



- (1) Thickness + 10 mm/0.39 in.
- (2) Hexagon Nut with flange

Wiring



- (1) "ON" for lighting and/or applying continuous sound.
- (2) Fuse (rated current: 0.5 A)
- RD : Red
- YE : Yellow
- GR : Green
- OR : Orange
- BK : Black

Recommended replacement(s)

X-ON Electronics

Largest Supplier of Electrical and Electronic Components

Click to view similar products for [Beacon Accessories](#) category:

Click to view products by [Schneider](#) manufacturer:

Other Similar products are found below :

[8WD4400-1AC](#) [LR6-M2WJNW](#) [XVBL0B4](#) [97584080](#) [XVGB3ST](#) [XVMB2RAGSSB](#) [8LT7ALBM](#) [XVGB3](#) [XVGB3SH](#) [HBJD-CZ-4-S](#)
[XVGB4H](#) [XVGB2M](#) [XVGB4](#) [96000005](#) [96000051](#) [XVGB4S](#) [64723075](#) [64587075](#) [64733075](#) [XVGM2SW](#) [8LT7ALBB](#) [XVGB3M](#)
[XVGB4ST](#) [84330055](#) [XVGM3ST](#) [96063009](#) [63930001](#) [XVGB2W](#) [XVGB1SMFA](#) [XVGM3SH](#) [64091000](#) [XVGM2SM](#) [XVGB4SW](#)
[XVGB4M](#) [XVGB4SM](#) [97584004](#) [XVGM3W](#) [XVGM3S](#) [XVGM2W](#) [84310055](#) [XVGM1SA](#) [69935075](#) [XVGB4SH](#) [XVGB2](#) [XVGB2SW](#)
[XVGM1SFA](#) [XVGB3T](#) [XVGB3SM](#) [63445055](#) [96000047](#)