

Product data sheet

Specifications



Monolithic tower lights, Harmony XVG, 60mm, red orange green, steady light, buzzer, aluminium tube mounting, IP23, 24V AC/DC

XVGB3ST

Main

Range of product	Harmony XVG
Product or component type	Complete pre-wired monolithic tower light
Beacon or indicator bank unit type	3 illuminated units
Material	PC (UL94 V-2): globe ABS (UL94HB): tube body Aluminium: tube
Mounting diameter	60 mm
Component name	XVG
Device mounting	Direct tube mounting
Light source	LED steady red LED steady green LED steady amber
Light block color	Red/orange/green
Indicator bank base type	Base with integrated buzzer

Complementary

Rated supply voltage	24 V AC/DC
Cable cross section	0.33 mm ²
Discrete output type	PNP and NPN
[Uimp] rated impulse withstand voltage	0.5 kV
Current consumption	180 mA
Noise level	85 dB
Power consumption in W	4.1 W
Fundamental frequency	2.64 kHz
Net weight	0.4 kg

Environment

Product certifications	CE EAC
Ambient air temperature for storage	-35...70 °C

Ambient air temperature for operation	-10...50 °C
---------------------------------------	-------------

IP degree of protection	IP23
-------------------------	------

Packing Units

Unit Type of Package 1	PCE
------------------------	-----

Number of Units in Package 1	1
------------------------------	---

Package 1 Height	8.3 cm
------------------	--------

Package 1 Width	14.2 cm
-----------------	---------

Package 1 Length	55.3 cm
------------------	---------

Package 1 Weight	590.0 g
------------------	---------

Unit Type of Package 2	S04
------------------------	-----

Number of Units in Package 2	8
------------------------------	---

Package 2 Height	30 cm
------------------	-------

Package 2 Width	40 cm
-----------------	-------

Package 2 Length	60 cm
------------------	-------

Package 2 Weight	3.94 kg
------------------	---------

Unit Type of Package 3	P06
------------------------	-----

Number of Units in Package 3	30
------------------------------	----

Package 3 Height	72 cm
------------------	-------

Package 3 Width	60 cm
-----------------	-------

Package 3 Length	80 cm
------------------	-------

Package 3 Weight	26 kg
------------------	-------

Offer Sustainability

Sustainable offer status	Green Premium product
--------------------------	-----------------------

REACH Regulation	REACH Declaration
------------------	-----------------------------------

EU RoHS Directive	Pro-active compliance (Product out of EU RoHS legal scope) EU RoHS Declaration
-------------------	---

Mercury free	Yes
--------------	-----

China RoHS Regulation	China RoHS declaration
-----------------------	--

RoHS exemption information	Yes
----------------------------	-----

Environmental Disclosure	Product Environmental Profile
--------------------------	---

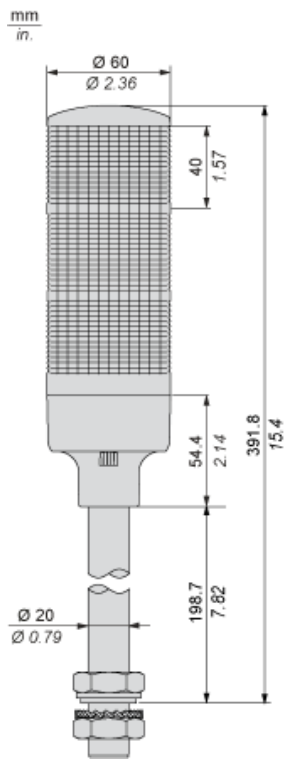
Circularity Profile	End of Life Information
---------------------	---

California proposition 65	WARNING: This product can expose you to chemicals including: Lead and lead compounds, which is known to the State of California to cause cancer and birth defects or other reproductive harm. For more information go to www.P65Warnings.ca.gov
---------------------------	---

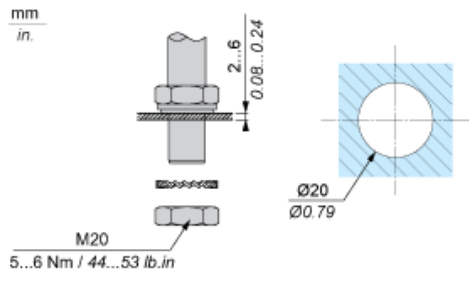
Contractual warranty

Warranty	18 months
----------	-----------

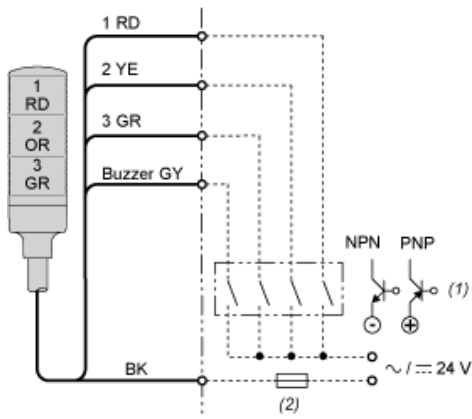
Dimensions



Mounting



Wiring



(1) "ON" for lighting and/or applying continuous sound.

(2) Fuse (rated current: 0.5 A)

- RD : Red
- YE : Yellow
- GR : Green
- GY : Grey
- OR : Orange
- BK : Black

Recommended replacement(s)

X-ON Electronics

Largest Supplier of Electrical and Electronic Components

Click to view similar products for [Beacon Accessories](#) category:

Click to view products by [Schneider](#) manufacturer:

Other Similar products are found below :

[LR6-M2WJNW](#) [XVBL0B4](#) [97584080](#) [XVGB3ST](#) [XVMB2RAGSSB](#) [8LT7ALBM](#) [XVGB3](#) [XVGB3SH](#) [HBJD-CZ-4-S](#) [LR5-02PJNW](#) [LR5-02WTNU](#) [SZP-002U](#) [LR4-302LJBW-RYG](#) [LR4-302LJNW-RYG](#) [LR4-302QJBW-RYG](#) [LR5-E-R](#) [LR6-302PJNW-RYG](#) [LR7-E-B](#) [MPS-302-RYG](#) [8WD4308-0CA](#) [8WD4308-0CB](#) [8WD4308-0DA](#) [8WD4308-0DB](#) [8WD4308-0DC](#) [8WD4308-0DE](#) [8WD4400-1AE](#) [8WD4400-1AF](#) [8WD4408-0AB](#) [8WD4408-0AE](#) [8WD4408-0CC](#) [8WD4408-0CD](#) [900001900](#) [900002900](#) [900004900](#) [900005900](#) [900006900](#) [900582900](#) [901001900](#) [901002900](#) [901004900](#) [901005900](#) [901006900](#) [901007900](#) [901573900](#) [901582900](#) [902001900](#) [902002900](#) [902005900](#) [902006900](#) [902570900](#)