

Product availability: Non-Stock - Not normally stocked in distribution facility



### Main

Range of product	Harmony XVS
Product or component type	Siren
Device short name	XVS
Color	White
Signalling type	2 tones siren
[Us] rated supply voltage	12 V AC/DC 24 V AC/DC
Noise level	106 dB (continuous or intermittent tone) at 1 m

### Complementary

Material	PC (body)
Product weight	1.76 lb(US) (0.8 kg)
Marking	CE
[Uimp] rated impulse withstand voltage	0.8 kV
Current consumption	500 mA 300 mA at 24 V
Clamping connection capacity	<= 1 x 1.5 mm <sup>2</sup>
Electrical connection	Cable: 0.26...0.33 in (6.5...8.5 mm)
Width	4.49 in (114 mm)
Height	4.49 in (114 mm)
Depth	6.03 in (153.2 mm)


### Environment

Standards	EN/IEC 60947-5-1 EN/IEC 60947-1
Protective treatment	TC
Ambient air temperature for storage	-31...158 °F (-35...70 °C)
Ambient air temperature for operation	-22...122 °F (-30...50 °C)
Electrical shock protection class	Class II conforming to EN/IEC 61140
IP degree of protection	IP53 conforming to EN/IEC 60529

### Ordering and shipping details

Category	22617 - XVC TOWER LIGHTS
Discount Schedule	XV
GTIN	00785901944744
Nbr. of units in pkg.	1
Package weight(Lbs)	2.2600000000000002
Returnability	N
Country of origin	ID

## Offer Sustainability

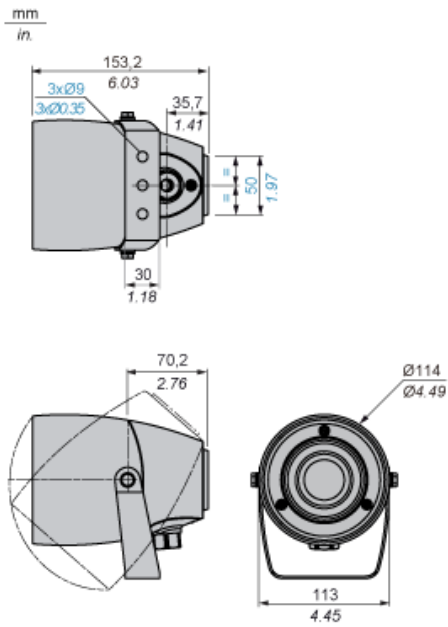
Sustainable offer status	Green Premium product
RoHS (date code: YYWW)	Compliant - since 1611 - Schneider Electric declaration of conformity  Schneider Electric declaration of conformity
REACH	Reference not containing SVHC above the threshold
Product environmental profile	Available
Product end of life instructions	Available
California proposition 65	WARNING: This product can expose you to chemicals including:
----- Substance 1	Lead and lead compounds, which is known to the State of California to cause cancer and birth defects or other reproductive harm.
----- More information	For more information go to <a href="http://www.p65warnings.ca.gov">www.p65warnings.ca.gov</a>

## Contractual warranty

Warranty period	18 months
-----------------	-----------

Siren

Dimensions



## X-ON Electronics

Largest Supplier of Electrical and Electronic Components

*Click to view similar products for [Piezo Buzzers & Audio Indicators](#) category:*

*Click to view products by [Schneider](#) manufacturer:*

Other Similar products are found below :

[6-4](#) [68S1240-PA](#) [MBA-624](#) [FDG06PSLLF](#) [FDG111PLF](#) [F/NRMB 24 BLACK LF](#) [PF-35N29WQ](#) [PFD-21A29W](#) [PFD-27A35PQ](#) [PL-21N30WQ](#) [PL-27A35PSQ](#) [PLD-21N30W](#) [PLD-21N30WQ](#) [PS-531Q](#) [PT-3534FP](#) [EBPT-401](#) [B822B](#) [PB-1220PEQ](#) [S6109](#) [SBM616PR](#) [SC110E](#) [SC2036ACP](#) [SC616N-2](#) [SC628FW](#) [SC628MPG](#) [SC648D](#) [SCS045MD9DT3S](#) [FCM12PLF](#) [F/EB20P-DR LF](#) [F/SMD03A LF](#) [FSMD8585JSLF](#) [F/SU 21-02 LF](#) [F/TCW 12 WITH LABEL LF](#) [F/UCW 06 WITH LABEL LF](#) [PFD-27N36W](#) [PKM22EPPH40S1-B0](#) [PKM35-4A0](#) [PL-35N29WQ](#) [PS-552Q](#) [CM-5](#) [REF-202](#) [B/SE 128 RED LF](#) [KBS-20DA-7AS](#) [KBS-27DA-5C-105](#) [LSC628ANR](#) [03-810.001](#) [RTO-1R07-001](#) [PL-21N31PQ](#) [F-B-P1405ISB LF](#) [B/CP 28B BLACK LF](#)