



Main

Range of product	Harmony XVS
Product or component type	Multisound siren
Device short name	XVS

Complementary

Color	White
Material	PC (polycarbonate): back cover PC (polycarbonate)/ABS (acrylonitrile butadiene-styrene) front PC (polycarbonate)/ABS (acrylonitrile butadiene-styrene) back
Net Weight	2.65 lb(US) (1.2 kg)
Marking	CE
Mounting support	Bracket
Fixing mode	3 holes Ø 9 mm
[Uimp] rated impulse withstand voltage	4 kV
Current consumption	50 mA 240 V
Electrical connection	Cable 0.26...0.33 in (6.5...8.5 mm), 0.00 in ² (0.33 mm ²) / AWG 22 signalling circuit) Cable 0.26...0.33 in (6.5...8.5 mm), 0.00 in ² (0.52 mm ²) / AWG 20 power circuit)
Maximum Width	5.51 in (140 mm)
Height	4.49 in (114 mm)
Depth	8.78 in (223 mm)

Environment

Signalling type	43 tones siren
Standards	EN 61000-6-3 EN 60947-5-1 EN 60947-01 EN 61000-6-2
Product certifications	UL
Protective treatment	TC
Ambient air temperature for storage	-31...158 °F (-35...70 °C)
Ambient air temperature for operation	14...122 °F (-10...50 °C)
Overvoltage category	Class II EN/IEC 61140
IP degree of protection	IP53 EN/IEC 60529
[Us] rated supply voltage	240 V AC
Noise level	0...105 dB continuous or intermittent tone)1 m

The information provided in this documentation contains general descriptions and/or technical characteristics of the performance of the products contained herein. This documentation is not intended as a substitute for and is not to be used for determining suitability or reliability of these products for specific user applications. It is the duty of any such user or integrator to perform the appropriate and complete risk analysis, evaluation and testing of the products with respect to the relevant specific application or use thereof. Neither Schneider Electric Industries SAS nor any of its affiliates or subsidiaries shall be responsible or liable for misuse of the information contained herein.

Ordering and shipping details

Category	22617 - XVC TOWER LIGHTS
Discount Schedule	XV
GTIN	03606480072055
Nbr. of units in pkg.	1
Package weight(Lbs)	2.69 lb(US) (1.22 kg)
Returnability	No
Country of origin	ID

Packing Units

Unit Type of Package 1	PCE
Package 1 Height	6.10 in (15.5 cm)
Package 1 width	6.10 in (15.5 cm)
Package 1 Length	10.83 in (27.5 cm)
Unit Type of Package 2	S04
Number of Units in Package 2	6
Package 2 Weight	23.54 lb(US) (10.676 kg)
Package 2 Height	11.81 in (30 cm)
Package 2 width	15.75 in (40 cm)
Package 2 Length	23.62 in (60 cm)

Offer Sustainability

California proposition 65	WARNING: This product can expose you to chemicals including: Lead and lead compounds, which is known to the State of California to cause cancer and birth defects or other reproductive harm. For more information go to www.P65Warnings.ca.gov
EU RoHS Directive	Pro-active compliance (Product out of EU RoHS legal scope) EU RoHS Declaration
Mercury free	Yes
RoHS exemption information	Yes
China RoHS Regulation	China RoHS Declaration
Environmental Disclosure	Product Environmental Profile
Circularity Profile	End Of Life Information

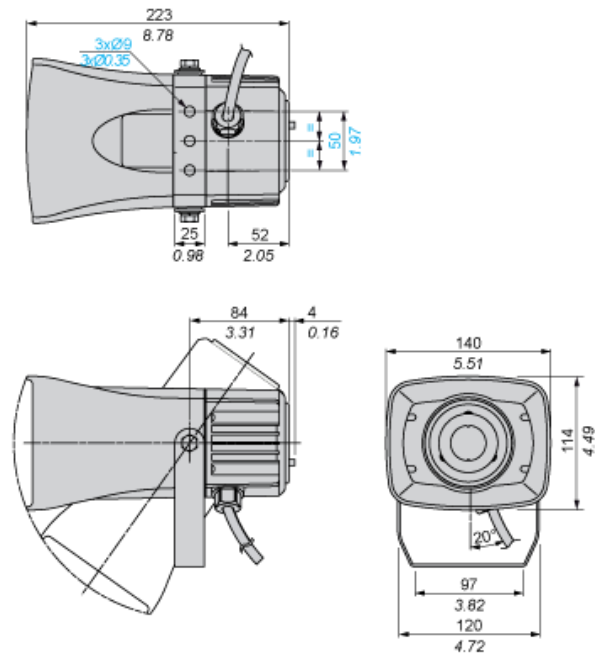
Contractual warranty

Warranty	18 months
----------	-----------

Siren

Dimensions

mm
in.



X-ON Electronics

Largest Supplier of Electrical and Electronic Components

Click to view similar products for [Piezo Buzzers & Audio Indicators](#) category:

Click to view products by [Schneider](#) manufacturer:

Other Similar products are found below :

[6-4](#) [68S1240-PA](#) [MBA-624](#) [FDG06PSLLF](#) [FDG111PLF](#) [F/NRMB 24 BLACK LF](#) [PF-35N29WQ](#) [PFD-21A29W](#) [PFD-27A35PQ](#) [PL-21N30WQ](#) [PL-27A35PSQ](#) [PLD-21N30W](#) [PLD-21N30WQ](#) [PS-531Q](#) [PT-3534FP](#) [EBPT-401](#) [B822B](#) [PB-1220PEQ](#) [S6109](#) [SBM616PR](#) [SC110E](#) [SC2036ACP](#) [SC616N-2](#) [SC628FW](#) [SC628MPG](#) [SC648D](#) [SCS045MD9DT3S](#) [FCM12PLF](#) [F/EB20P-DR LF](#) [F/SMD03A LF](#) [FSMD8585JSLF](#) [F/SU 21-02 LF](#) [F/TCW 12 WITH LABEL LF](#) [F/UCW 06 WITH LABEL LF](#) [PFD-27N36W](#) [PKM22EPPH40S1-B0](#) [PKM35-4A0](#) [PL-35N29WQ](#) [PS-552Q](#) [CM-5](#) [REF-202](#) [B/SE 128 RED LF](#) [KBS-20DA-7AS](#) [KBS-27DA-5C-105](#) [LSC628ANR](#) [03-810.001](#) [RTO-1R07-001](#) [PL-21N31PQ](#) [B/CP 28B BLACK LF](#) [F/DGX 05P WITH LABEL LF](#)