

Product availability: Stock - Normally stocked in distribution facility



Main

Range of product	Harmony XVS
Product or component type	Electronic alarm
Device short name	XVS

Complementary

Color	Black
Material	PC (polycarbonate) (terminal cover) ABS (acrylonitrile butadiene-styrene) (body)
Product weight	0.4 lb(US) (0.18 kg)
Marking	CE
Overvoltage category	Class II conforming to EN/IEC 61140
Mounting support	72 mm DIN rail
[Us] rated supply voltage	12...24 V DC
[Uimp] rated impulse withstand voltage	0.8 kV
Current consumption	117 mAat 12 V 125 mAat 24 V 158 mAat 12 V 200 mAat 24 V
Clamping connection capacity	<= 1 x 1.5 mm ²
Width	2.83 in (72 mm)
Height	2.83 in (72 mm)
Depth	2.73 in (69.3 mm)

Environment

Discrete output type	PNP
Signalling type	16 tones alarm
Standards	EN/IEC 61000-6-3 EN/IEC 61000-6-2 UL 464
Product certifications	UR
Protective treatment	TC
Ambient air temperature for storage	-31...158 °F (-35...70 °C)
Ambient air temperature for operation	14...122 °F (-10...50 °C)
IP degree of protection	IP54 (panel mounted) conforming to EN/IEC 60529
Noise level	0...90 dB (continuous or intermittent tone)at 1 m

The information provided in this documentation contains general descriptions and/or technical characteristics of the performance of the products contained herein. This documentation is not intended as a substitute for and is not to be used for determining suitability or reliability of these products for specific user applications. It is the duty of any such user or integrator to perform the appropriate and complete risk analysis, evaluation and testing of the products with respect to the relevant specific application or use thereof. Neither Schneider Electric Industries SAS nor any of its affiliates or subsidiaries shall be responsible or liable for misuse of the information contained herein.

Ordering and shipping details

Category	22617 - XVC TOWER LIGHTS
Discount Schedule	XV
GTIN	00785901811138
Nbr. of units in pkg.	1
Package weight(Lbs)	0.5899999999999997
Returnability	Y
Country of origin	ID

Offer Sustainability

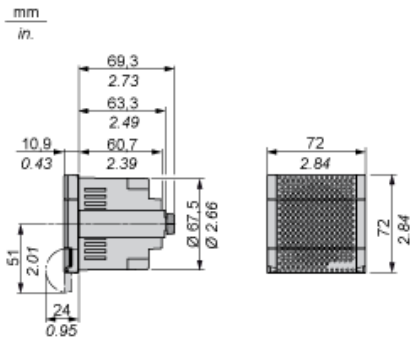
RoHS (date code: YYWW)	Compliant - since 1346 - Schneider Electric declaration of conformity Schneider Electric declaration of conformity
REACH	Reference not containing SVHC above the threshold
California proposition 65	WARNING: This product can expose you to chemicals including:
----- Substance 1	Lead and lead compounds, which is known to the State of California to cause cancer and birth defects or other reproductive harm.
----- More information	For more information go to www.p65warnings.ca.gov

Contractual warranty

Warranty period	18 months
-----------------	-----------

Electronic Alarm

Dimensions



X-ON Electronics

Largest Supplier of Electrical and Electronic Components

Click to view similar products for [Piezo Buzzers & Audio Indicators](#) category:

Click to view products by [Schneider](#) manufacturer:

Other Similar products are found below :

[6-4](#) [68S1240-PA](#) [MBA-624](#) [FDG06PSLLF](#) [FDG111PLF](#) [F/NRMB 24 BLACK LF](#) [PF-35N29WQ](#) [PFD-21A29W](#) [PFD-27A35PQ](#) [PL-21N30WQ](#) [PL-27A35PSQ](#) [PLD-21N30W](#) [PLD-21N30WQ](#) [PS-531Q](#) [PT-3534FP](#) [EBPT-401](#) [B822B](#) [PB-1220PEQ](#) [S6109](#) [SBM616PR](#) [SC110E](#) [SC2036ACP](#) [SC616N-2](#) [SC628FW](#) [SC628MPG](#) [SC648D](#) [SCS045MD9DT3S](#) [FCM12PLF](#) [F/EB20P-DR LF](#) [F/SMD03A LF](#) [FSMD8585JSLF](#) [F/SU 21-02 LF](#) [F/TCW 12 WITH LABEL LF](#) [F/UCW 06 WITH LABEL LF](#) [PFD-27N36W](#) [PKM22EPPH40S1-B0](#) [PKM35-4A0](#) [PL-35N29WQ](#) [PS-552Q](#) [CM-5](#) [REF-202](#) [B/SE 128 RED LF](#) [KBS-20DA-7AS](#) [KBS-27DA-5C-105](#) [LSC628ANR](#) [03-810.001](#) [RTO-1R07-001](#) [PL-21N31PQ](#) [B/CP 28B BLACK LF](#) [F/DGX 05P WITH LABEL LF](#)