

Product data sheet

Specifications



Editable voice alarms, Harmony XVS, black, mounting 72mm DIN rail, NPN, 12...24V DC

XVSV7BBN

Product availability : Stock - Normally stocked in distribution facility

Price* : 130.00 USD

Main

Range of Product	Harmony XVS
Product or Component Type	Editable electronic alarm
Beacon or indicator bank unit type	Sound unit
Device short name	XVSV

Complementary

Color	Dark grey
Input type	Bit 6 channel input Binary 63 channel input
Assembly style	Ready assembled
Material	PC (polycarbonate) body PC (polycarbonate) back cover TPE (thermoplastic elastomer) front panel NBR (nitrile butadiene rubber)
Marking	CE
Overvoltage category	Class II EN/IEC 61140
Mounting Support	72 mm DIN rail
[Us] rated supply voltage	12...24 V DC
[Ue] rated operational voltage	10...30 V DC
[Ui] rated insulation voltage	250 V
Inrush current	30 A
Associated fuse rating	1 A
[Uimp] rated impulse withstand voltage	2.5 kV IEC 60947-1
Power consumption in W	1.8 W
Current consumption	75 mA 24 V DC
Clamping connection capacity	<= 1 x 1.5 mm ²
Device Application	Printing Subway Packaging
Mounting diameter	3.15 in (80 mm)

* Price is "List Price" and may be subject to a trade discount – check with your local distributor or retailer for actual price.

Width	3.15 in (80 mm)
Height	3.15 in (80 mm)
Depth	0.98 in (24.9 mm)
Product Weight	0.31 lb(US) (0.142 kg)

Environment

Discrete output type	NPN
Signalling type	Adjustable vocal sound
Standards	EN/IEC 60947-5-1
Protective treatment	TC
Ambient Air Temperature for Storage	-4...140 °F (-20...60 °C)
Ambient Air Temperature for Operation	14...131 °F (-10...55 °C)
Pollution degree	2
Relative humidity	35...85 % without condensation
Vibration resistance	7 gn
IP degree of protection	Panel mounted IP65 EN/IEC 60529 Wall mounted IP20
Noise level	0...89 dB stop or suppress)1 m

Ordering and shipping details

Category	22617-XVC TOWER LIGHTS
Discount Schedule	XV
GTIN	3606480623806
Returnability	No

Packing Units

Unit Type of Package 1	PCE
Number of Units in Package 1	1
Package 1 Height	2.76 in (7.0 cm)
Package 1 Width	4.53 in (11.5 cm)
Package 1 Length	5.12 in (13.0 cm)
Package 1 Weight	10.97 oz (311.0 g)
Unit Type of Package 2	S02
Number of Units in Package 2	10
Package 2 Height	5.91 in (15 cm)
Package 2 Width	11.81 in (30 cm)
Package 2 Length	15.75 in (40 cm)
Package 2 Weight	7.81 lb(US) (3.541 kg)
Unit Type of Package 3	P06
Number of Units in Package 3	160
Package 3 Height	29.53 in (75 cm)
Package 3 Width	15.75 in (40 cm)
Package 3 Length	31.50 in (80 cm)

Package 3 Weight 164.82 lb(US) (74.76 kg)

Offer Sustainability

Sustainable offer status Green Premium product

California proposition 65 WARNING: This product can expose you to chemicals including: Lead and lead compounds, which is known to the State of California to cause cancer and birth defects or other reproductive harm. For more information go to www.P65Warnings.ca.gov

REACH Regulation [REACH Declaration](#)

EU RoHS Directive Pro-active compliance (Product out of EU RoHS legal scope)
[EU RoHS Declaration](#)

Mercury free Yes

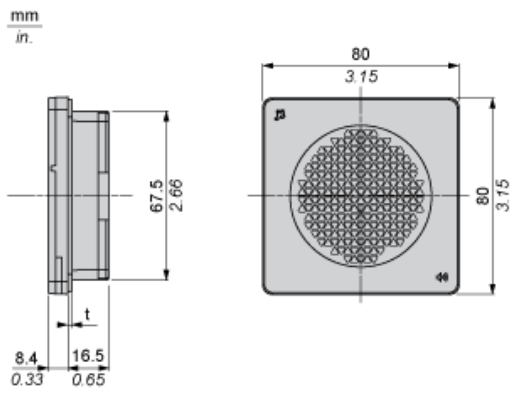
China RoHS Regulation [China RoHS declaration](#)

RoHS exemption information Yes

Environmental Disclosure [Product Environmental Profile](#)

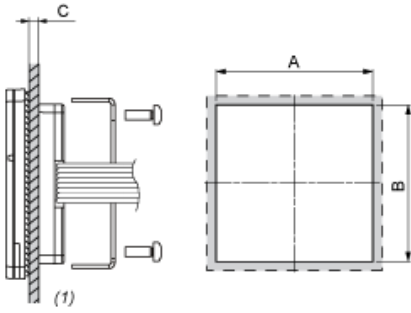
Circularity Profile [End of Life Information](#)

Dimensions



(t) : Waterproof rubber (1.6 mm / 0.06 in.)

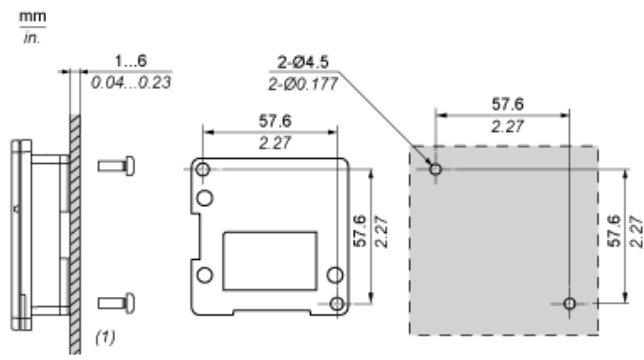
Panel Cut Dimensions



(1) Installation panel

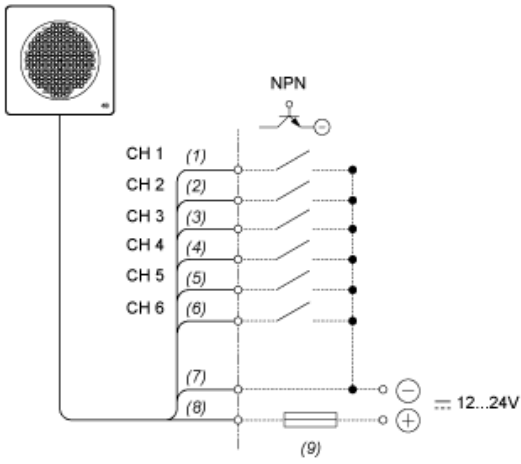
A	B	C
68 +0.5/0 mm (2.68 +0.0197/0 in.)	68 +0.5/0 mm (2.68 +0.0197/0 in.)	1...4 mm (0.04...0.15 in.)

Wall Mount Dimensions



(1) Installation panel

Wiring Diagram



- (1) Green
- (2) Yellow
- (3) Brown
- (4) Blue
- (5) Purple
- (6) Gray
- (7) Black
- (8) Red
- (9) Fuse (Rated current: 1 A)

Recommended replacement(s)

X-ON Electronics

Largest Supplier of Electrical and Electronic Components

Click to view similar products for [Piezo Buzzers & Audio Indicators](#) category:

Click to view products by [Schneider](#) manufacturer:

Other Similar products are found below :

[6-4](#) [ESZ-26B](#) [FDG06PSLLF](#) [FDG111PLF](#) [F/DGX12P WITH LABEL LF](#) [F/EM12PLF](#) [F/NRMB 24 BLACK LF](#) [PF-35N29WQ](#) [PFD-21A29W](#) [PFD-27A35PQ](#) [PL-21N30WQ](#) [PLD-21N30W](#) [PLD-21N30WQ](#) [PT-3534FP](#) [B822B](#) [8WD4420-0EA](#) [S6109](#) [SBM616PR](#) [SC110E](#) [SC2036ACP](#) [SC616N-2](#) [SC628FW](#) [SC628MPG](#) [SC648D](#) [SCS045MD9DT3S](#) [ESZ-25B-5-250B](#) [ESZ-25S](#) [F/BC 35-DR LF](#) [FCM12PLF](#) [AI-4228-TF-LW305-R](#) [FSMD8585JSLF](#) [F/TCW 05 WITH LABEL LF](#) [F/TCW 12 WITH LABEL LF](#) [F/UCW 03 WITH LABEL LF](#) [PFD-27N36W](#) [PKM35-4A0](#) [PL-35N29WQ](#) [PLD-27A35PQ](#) [PS-552Q](#) [KBS-20DA-7AS](#) [KBS-27DA-5C-105](#) [LSC628ANR](#) [SC110FK](#) [SC628AF](#) [PL-21N31PQ](#) [F-B-P1405ISB LF](#) [F/HCW 06 WITH LABEL LF](#) [MSR516NP](#) [STA22702W](#) [STA20502](#)