

# Product data sheet

Specifications



## Editable voice alarms, Harmony XVS, black, mounting 96mm DIN rail, NPN, 12...24V DC

XVSV9BBN

Product availability : Stock - Normally stocked in distribution facility

**Price\* : 160.00 USD**

### Main

Range of Product	Harmony XVS
Product or Component Type	Editable electronic alarm
Beacon or indicator bank unit type	Sound unit
Device short name	XVSV

### Complementary

Color	Dark grey
Input type	Bit 6 channel input Binary 63 channel input
Assembly style	Ready assembled
Material	PC (polycarbonate) body PC (polycarbonate) back cover TPE (thermoplastic elastomer) front panel NBR (nitrile butadiene rubber)
Marking	CE
Overvoltage category	Class II EN/IEC 61140
Mounting Support	96 mm DIN rail
[Us] rated supply voltage	12...24 V DC
[Ue] rated operational voltage	10...30 V DC
[Ui] rated insulation voltage	250 V
Inrush current	30 A
Associated fuse rating	1 A
[Uimp] rated impulse withstand voltage	2.5 kV IEC 60947-1
Power consumption in W	3.8 W
Current consumption	160 mA 24 V DC
Clamping connection capacity	<= 1 x 1.5 mm <sup>2</sup>
Device Application	Subway Printing Packaging
Mounting diameter	4.13 in (105 mm)

\* Price is "List Price" and may be subject to a trade discount – check with your local distributor or retailer for actual price.

<b>Width</b>	4.13 in (105 mm)
<b>Height</b>	4.13 in (105 mm)
<b>Depth</b>	1.97 in (50.1 mm)
<b>Product Weight</b>	0.59 lb(US) (0.268 kg)

## Environment

<b>Discrete output type</b>	NPN
<b>Signalling type</b>	Adjustable vocal sound
<b>Standards</b>	EN/IEC 60947-5-1
<b>Protective treatment</b>	TC
<b>Ambient Air Temperature for Storage</b>	-4...140 °F (-20...60 °C)
<b>Ambient Air Temperature for Operation</b>	14...131 °F (-10...55 °C)
<b>Pollution degree</b>	2
<b>Relative humidity</b>	35...85 % without condensation
<b>Vibration resistance</b>	7 gn
<b>IP degree of protection</b>	Panel mounted IP65 EN/IEC 60529 Wall mounted IP20
<b>Noise level</b>	0...97 dB stop or suppress)1 m

## Ordering and shipping details

<b>Category</b>	22617-XVC TOWER LIGHTS
<b>Discount Schedule</b>	XV
<b>GTIN</b>	3606480623882
<b>Returnability</b>	No

## Packing Units

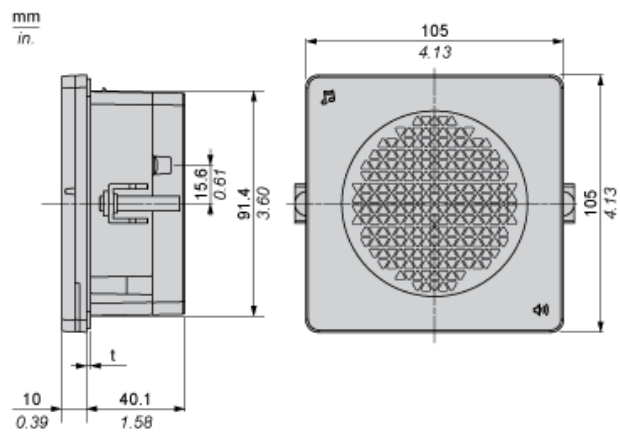
<b>Unit Type of Package 1</b>	PCE
<b>Number of Units in Package 1</b>	1
<b>Package 1 Height</b>	3.54 in (9.0 cm)
<b>Package 1 Width</b>	5.12 in (13.0 cm)
<b>Package 1 Length</b>	6.89 in (17.5 cm)
<b>Package 1 Weight</b>	19.26 oz (546.0 g)
<b>Unit Type of Package 2</b>	S03
<b>Number of Units in Package 2</b>	12
<b>Package 2 Height</b>	11.81 in (30.0 cm)
<b>Package 2 Width</b>	11.81 in (30.0 cm)
<b>Package 2 Length</b>	15.75 in (40.0 cm)
<b>Package 2 Weight</b>	15.75 lb(US) (7.142 kg)

## Offer Sustainability

<b>Sustainable offer status</b>	Green Premium product
<b>California proposition 65</b>	WARNING: This product can expose you to chemicals including: Lead and lead compounds, which is known to the State of California to cause cancer and birth defects or other reproductive harm. For more information go to <a href="http://www.P65Warnings.ca.gov">www.P65Warnings.ca.gov</a>

<b>REACH Regulation</b>	<a href="#">REACH Declaration</a>
<b>EU RoHS Directive</b>	Pro-active compliance (Product out of EU RoHS legal scope) <a href="#">EU RoHS Declaration</a>
<b>Mercury free</b>	Yes
<b>China RoHS Regulation</b>	<a href="#">China RoHS declaration</a>
<b>RoHS exemption information</b>	Yes
<b>Environmental Disclosure</b>	<a href="#">Product Environmental Profile</a>
<b>Circularity Profile</b>	<a href="#">End of Life Information</a>

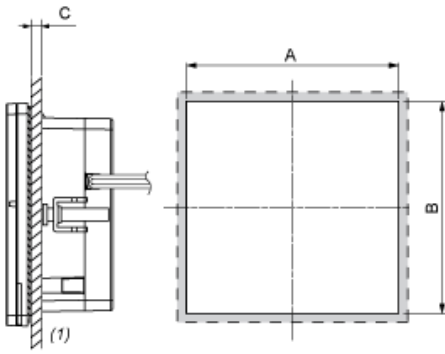
Dimensions



(t) : Waterproof rubber (1.6 mm / 0.06 in.)

**Panel Cut Dimensions**

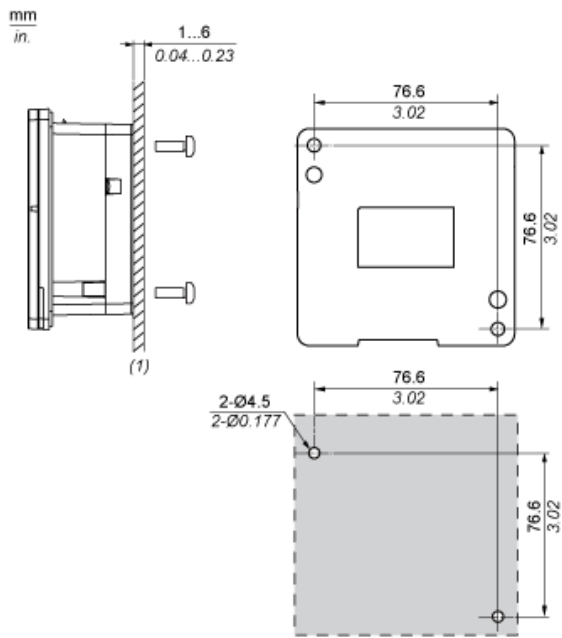
---



(1) Installation panel

A	B	C
92 +0.6/0 mm (3.62 +0.0236/0 in.)	92 +0.6/0 mm (3.62 +0.0236/0 in.)	1...4 mm (0.04...0.15 in.)

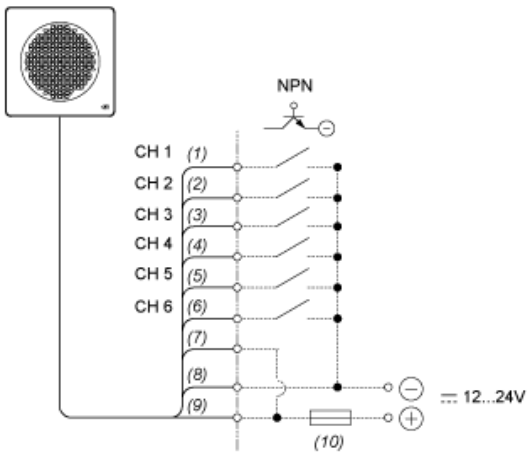
Wall Mount Dimensions



(1) Installation panel

**Wiring Diagram**

---



- (1) Green
- (2) Yellow
- (3) Brown
- (4) Blue
- (5) Purple
- (6) Gray
- (7) White
- (8) Black
- (9) Red
- (10) Fuse (Rated current: 1 A)

**Recommended replacement(s)**

## X-ON Electronics

Largest Supplier of Electrical and Electronic Components

*Click to view similar products for [Piezo Buzzers & Audio Indicators](#) category:*

*Click to view products by [Schneider](#) manufacturer:*

Other Similar products are found below :

[6-4](#) [ESZ-26B](#) [FDG06PSLLF](#) [FDG111PLF](#) [F/DGX12P WITH LABEL LF](#) [F/EM12PLF](#) [F/NRMB 24 BLACK LF](#) [PF-35N29WQ](#) [PFD-21A29W](#) [PFD-27A35PQ](#) [PL-21N30WQ](#) [PLD-21N30W](#) [PLD-21N30WQ](#) [PT-3534FP](#) [B822B](#) [8WD4420-0EA](#) [S6109](#) [SBM616PR](#) [SC110E](#) [SC2036ACP](#) [SC616N-2](#) [SC628FW](#) [SC628MPG](#) [SC648D](#) [SCS045MD9DT3S](#) [ESZ-25B-5-250B](#) [ESZ-25S](#) [F/BC 35-DR LF](#) [FCM12PLF](#) [AI-4228-TF-LW305-R](#) [FSMD8585JSLF](#) [F/TCW 05 WITH LABEL LF](#) [F/TCW 12 WITH LABEL LF](#) [F/UCW 03 WITH LABEL LF](#) [PFD-27N36W](#) [PKM35-4A0](#) [PL-35N29WQ](#) [PLD-27A35PQ](#) [PS-552Q](#) [KBS-20DA-7AS](#) [KBS-27DA-5C-105](#) [LSC628ANR](#) [SC110FK](#) [SC628AF](#) [PL-21N31PQ](#) [F-B-P1405ISB LF](#) [F/HCW 06 WITH LABEL LF](#) [MSR516NP](#) [STA22702W](#) [STA20502](#)