

XVSV9MBN

Editable electronic alarms - DIN96 - voice - black -
NPN - 100...230V AC



Main

| | |
|------------------------------------|---------------------------|
| Range of product | Harmony XVS |
| Product or component type | Editable electronic alarm |
| Beacon or indicator bank unit type | Sound unit |
| Device short name | XVSV |

Complementary

| | |
|--|---|
| Colour | Dark grey |
| Input type | Bit : 6 channel input Binary : 63 channel input |
| Assembly style | Ready assembled |
| Material | PC (polycarbonate) (body) PC (polycarbonate) (back cover) TPE (thermoplastic elastomer) (front panel) NBR (nitrile butadiene rubber) |
| Product weight | 0.287 kg |
| Marking | CE |
| Overvoltage category | Class II conforming to EN/IEC 61140 |
| Mounting support | 96 mm DIN rail |
| [Us] rated supply voltage | 100...230 V AC |
| [Ue] rated operational voltage | 90...264 V AC |
| Inrush current | 30 A |
| Associated fuse rating | 1 A |
| [Uimp] rated impulse withstand voltage | 1 kV |
| Power consumption in W | 10 W |
| Current consumption | 100 mA at 100 V AC |
| Clamping connection capacity | <= 1 x 1.5 mm ² |
| Device application | Subway Printing Packaging |
| Mounting diameter | 105 mm |
| Width | 105 mm |
| Height | 105 mm |
| Depth | 50.1 mm |

Environment

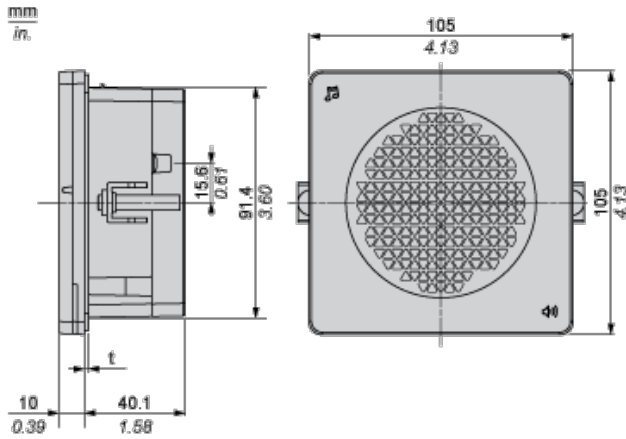
| | |
|---------------------------------------|--|
| discrete output type | NPN |
| signalling type | Adjustable vocal sound |
| protective treatment | TC |
| ambient air temperature for storage | -20...60 °C |
| ambient air temperature for operation | 0...50 °C |
| relative humidity | 35...85 % without condensation |
| vibration resistance | 7 gn |
| IP degree of protection | IP65 (panel mounted) conforming to EN/IEC 60529 IP20 (wall mounted) |

The information provided in this documentation contains general descriptions and/or technical characteristics of the products contained herein. This documentation is not intended as a substitute for and is not to be used for determining suitability or reliability of these products for specific user applications. It is the duty of any such user or integrator to perform the appropriate and complete risk analysis, evaluation and testing of the products with respect to the relevant specific application or use thereof. Neither Schneider Electric Industries SAS nor any of its affiliates or subsidiaries shall be responsible or liable for misuse of the information contained herein.

Offer Sustainability

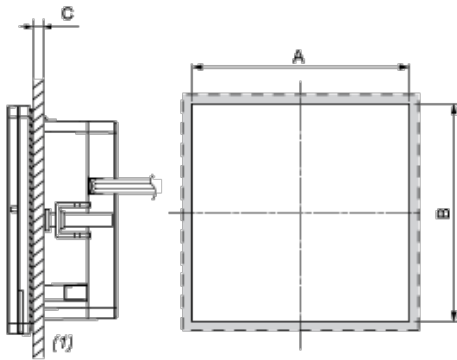
| | |
|--------------------------|---|
| Sustainable offer status | Not Green Premium product |
| RoHS (date code: YYWW) | Compliant - since 1346 - Schneider Electric declaration of conformity |
| REACH | Reference not containing SVHC above the threshold |

Dimensions



(t) : Waterproof rubber (1.6 mm / 0.06 in.)

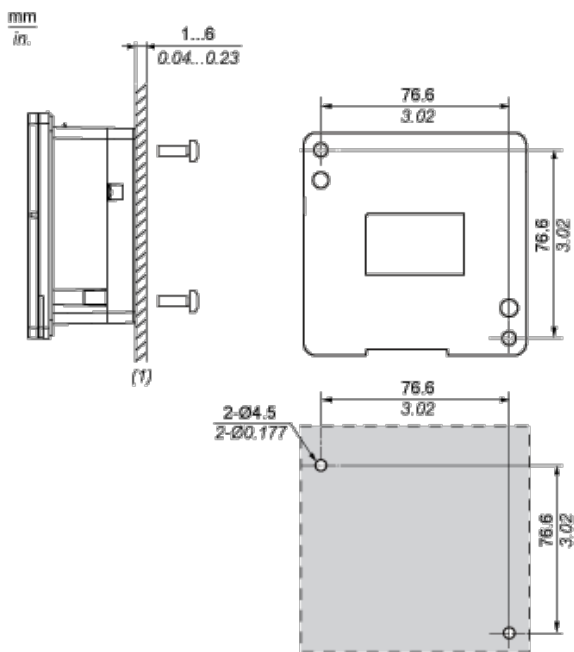
Panel Cut Dimensions



(1) Installation panel

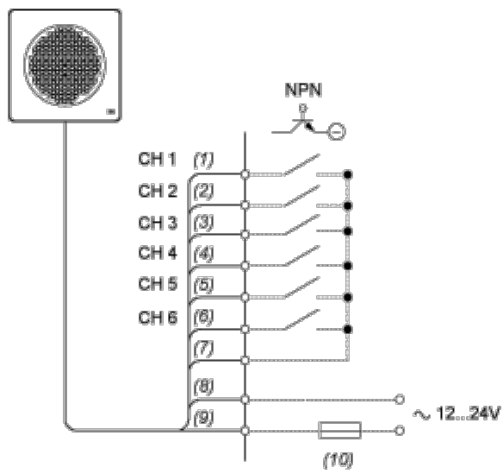
| A | B | C |
|-----------------------------------|-----------------------------------|----------------------------|
| 92 +0.6/0 mm (3.62 +0.0236/0 in.) | 92 +0.6/0 mm (3.62 +0.0236/0 in.) | 1...4 mm (0.04...0.15 in.) |

Wall Mount Dimensions



(1) Installation panel

Wiring Diagram



- (1) Green
- (2) Yellow
- (3) Brown
- (4) Blue
- (5) Purple
- (6) Gray
- (7) White
- (8) Black
- (9) Red
- (10) Fuse (Rated current: 1 A)

X-ON Electronics

Largest Supplier of Electrical and Electronic Components

Click to view similar products for [Schneider manufacturer](#):

Other Similar products are found below :

[ZA2BV05](#) [RE22R2MMW](#) [RE22R2MYMR](#) [67SPCX-56](#) [70-454](#) [70S2-01-A-03-V](#) [70S2-05-B-12-S](#) [712XBXC-240A](#) [7S](#) [MMS124](#)
[8501NR45](#) [8501NR51](#) [8501NR52](#) [8501RSD41V53](#) [861HSSR410-AC-1](#) [9001KP35LRR9](#) [9001KS11BH13](#) [9007MA18](#) [9007MS10S0300](#)
[9013FHG39J69](#) [11HPX-75](#) [A283BXX69C-48D](#) [A283XAXC-24A](#) [GZ1E02](#) [ABL8WPS24200](#) [ATS01N212LU](#) [16-711C4](#) [16-782FT-1](#)
[IIHPX-75](#) [RPM12B7](#) [9001KR1BH13](#) [9001KR1GH5](#) [9001KR1UH5](#) [9001KR9R](#) [9001KS46BH2](#) [9001SKS11BH2](#) [9007MS02S0054](#)
[9007MS05S0300](#) [9013FRG2J70](#) [9013FSG2J15](#) [RTX-132 24/48 120SEK](#) [RTX-132 24/48 1,2SEK](#) [RTX-133 110/127 12SEK](#) [RTX-170 24/48](#)
[LC1K0610F7](#) [283XAXC-24A](#) [SM552A100](#) [SM956A130000](#) [SM956A132600](#) [SR2B201FU](#)