

Product data sheet

Characteristics

XVUC25

Ø 60 mm illuminated LED unit - steady - orange - IP65 - 24 V AC/DC



Product availability: Stock - Normally stocked in distribution facility



Main

| | |
|------------------------------------|--|
| Range of product | Harmony XVU |
| Product or component type | Modular tower light |
| Beacon or indicator bank unit type | LED unit |
| Mounting diameter | 2.36 in (60 mm) |
| Component name | XVU |
| Light source | LED orange |
| Device application | Automotive Machine tools Packaging machine |

Complementary

| | |
|---------------------------|--|
| Signalling type | Steady |
| Assembly style | Customer assembly, up to 5 units Up to 4 units with buzzer |
| Material | PC (polycarbonate) V-0 flame retardant conforming to UL 94 PC (polycarbonate) V-2 flame retardant conforming to UL 94 |
| [Us] rated supply voltage | 24 V AC/DC |
| Power dissipation in W | <= 2 W |
| Current consumption | <= 40 mA |
| Signalling type | Steady |
| Length | 1.97 in (50 mm) |
| Product weight | 0.14 lb(US) (0.064 kg) |


Environment

| | |
|---------------------------------------|----------------------------|
| Product certifications | RoHS CE CSA UL |
| Ambient air temperature for storage | -40...158 °F (-40...70 °C) |
| IP degree of protection | IP65 |
| Ambient air temperature for operation | -13...122 °F (-25...50 °C) |
| Vibration resistance | 2 gn |

Ordering and shipping details

| | |
|-----------------------|--------------------------|
| Category | 22618 - XVU TOWER LIGHTS |
| Discount Schedule | XV |
| GTIN | 00785901285137 |
| Nbr. of units in pkg. | 1 |
| Package weight(Lbs) | 0.32000000000000001 |
| Returnability | Y |
| Country of origin | ID |

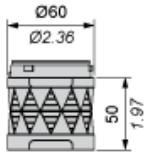
Offer Sustainability

| | |
|----------------------------------|--|
| Sustainable offer status | Green Premium product |
| RoHS (date code: YYWW) | Compliant - since 1529 - Schneider Electric declaration of conformity  Schneider Electric declaration of conformity |
| REACH | Reference not containing SVHC above the threshold |
| Product environmental profile | Available |
| Product end of life instructions | Available |
| California proposition 65 | WARNING: This product can expose you to chemicals including: |
| ----- Substance 1 | Lead and lead compounds, which is known to the State of California to cause cancer and birth defects or other reproductive harm. |
| ----- More information | For more information go to www.p65warnings.ca.gov |

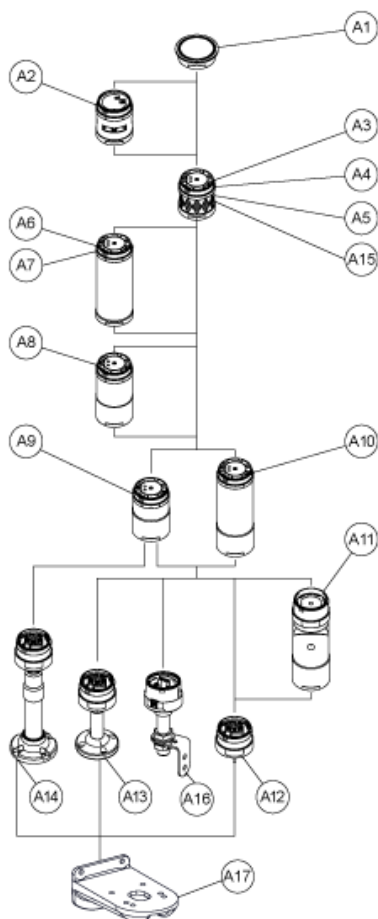
Illuminated LED Unit

Dimensions

$\frac{\text{mm}}{\text{in.}}$



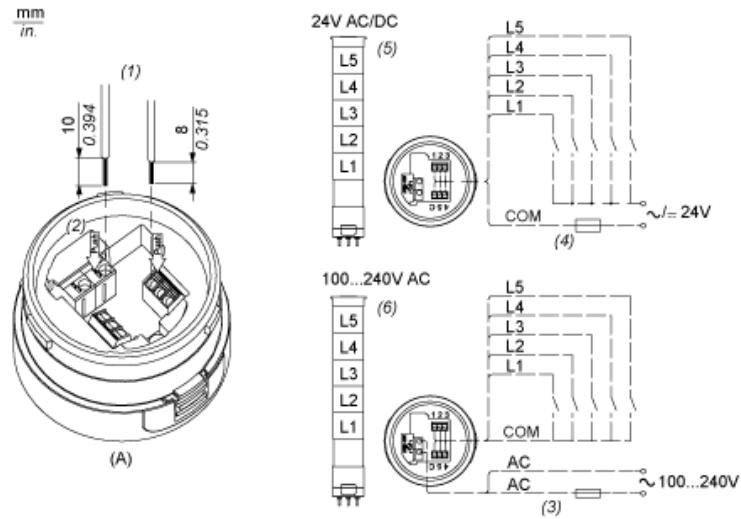
Modular Tower Lights Mounting



| Drawing | Part number | Part name |
|----------|----------------------|------------------------------|
| A1 | - | Top cover |
| - | Top cover (Silver) | |
| A2 | XVUC9S | Buzzer unit |
| XVUC9SQ | Buzzer unit (Silver) | |
| A3 | XVUC23 | Green LED unit |
| XVUC24 | Red LED unit | |
| XVUC25 | Orange LED unit | |
| XVUC26 | Blue LED unit | |
| XVUC27 | White LED unit | |
| XVUC28 | Yellow LED unit | |
| A4 | XVUC29 | Multi-LED unit |
| A5 | XVUC29P | Multi-LED unit, Pulse signal |
| A6 | XVUC9V | Sound unit |
| A7 | XVUC9VP | Sound unit, Pulse signal |
| A8 | XVUC020 | Extender |
| XVUC020Q | Extender (Silver) | |
| A9 | XVUC21B | DC body |

| Drawing | Part number | Part name |
|-----------|--|---|
| XVUC21BQ | DC body (Silver) | |
| A10 | XVUC21M | AC body NPN |
| XVUC21MP | AC body PNP | |
| XVUC21MQP | AC body PNP (Silver) | |
| A11 | XVUZ06 | Flexible option |
| A12 | XVUZ01 | Fixing Unit - Direct mounting (3 pins) |
| XVUZ01Q | Fixing Unit - Direct mounting (Silver,3 pins) | |
| XVUZ03 | Fixing Unit - Direct mounting (2 pins) | |
| XVUZ04 | Fixing Unit - Direct mounting (4 pins) | |
| A13 | XVUZ02 | Fixing Unit - Plate with Pole (100 mm) |
| XVUZ02Q | Fixing Unit - Plate with Pole (100 mm, Silver) | |
| XVUZ400 | Fixing Unit - Plate with Pole (400 mm) | |
| XVUZ800 | Fixing Unit - Plate with Pole (800 mm) | |
| A14 | XVUZ05 | Fixing Unit - Plate with adjustment pole (100-385 mm) |
| A15 | XVUC43 | Green LED unit, Flash |
| XVUC44 | Red LED unit, Flash | |
| XVUC45 | Orange LED unit, Flash | |
| XVUC46 | Blue LED unit, Flash | |
| XVUC47 | White LED unit, Flash | |
| XVUC48 | Yellow LED unit, Flash | |
| A16 | XVUZ100T | Fixing Unit - Metal bracket with pole (100 mm) |
| XVUZ250T | Fixing Unit - Metal bracket with pole(250 mm) | |
| XVUZ400T | Fixing Unit - Metal bracket with pole (400 mm) | |
| A17 | XVUZ12 | Fixing plate for use on vertical support - black |

Illuminated Units, Multi-LED and Audible Units Wiring



- (A) Fixing Unit
 - (1) Dimensions of Wiring size
 - (2) Push-in Wire Connectors
 - (3) Fuse : 2A ,250V
 - (4) Fuse : 0.5A ,125V
 - (5) Modular Tower Lights 24V AC/DC
 - (6) Modular Tower Lights 100...240V AC
- L1 to Illuminated LED Units
L5 :

X-ON Electronics

Largest Supplier of Electrical and Electronic Components

Click to view similar products for [Industrial Panel Mount Indicators / Switch Indicators](#) category:

Click to view products by [Schneider](#) manufacturer:

Other Similar products are found below :

[LW1A-P1-GD](#) [LW1A-P1-W](#) [01-931.3](#) [01-152.025](#) [73.362.4028.0](#) [750-1520](#) [9001OA120](#) [A0142N5](#) [A3DT-500Y](#) [AL6M-LK3-R](#) [AL6M-P7P-A](#) [AOLQW-2B0600](#) [AP1M255-A](#) [APD106LN-G](#) [APD106LN-S](#) [APN1126-G](#) [APS122DN-W](#) [ASLWLD-G](#) [ASLWLD-R](#) [ATN2100](#) [AYLW4L-A](#) [18-237.035](#) [18-945](#) [HW1A-L1-GD](#) [HW1A-P2-GL](#) [HW1X-BM411-R](#) [HW2A-L1-GL](#) [HW2A-P1-GD](#) [HWAZ1N-OB](#) [PA2100/2](#) [PA2200/1](#) [PA2SHIELD](#) [PAMR25](#) [LA3P-1C03V-Y](#) [96-923.5](#) [A0244J2](#) [LSPD-120A](#) [LSPD-1Y](#) [LSPD-6A](#) [LSPD-6DA](#) [LSPD-6DW](#) [LSPD-6DY](#) [LSPD-6R](#) [LSPD-6W](#) [18-946](#) [AL6H-LK3-A](#) [AL6H-P4-JW](#) [AL6M-LK1-MG](#) [AP8M155-G](#) [APD106LN-W](#)