



Main

Product or Component Type	Accessory kit
Accessory / separate part destination	Ultrasonic sensor
Product compatibility	XXA - ultrasonic sensor XXS - ultrasonic sensor
Accessory / separate part category	Configuration accessories
Accessory / Separate Part Type	Configuration software

Complementary

[Us] rated supply voltage	24 V DC
Supply voltage limits	14...30 V
Power Consumption in W	4 W
Local signalling	For power supply LED (green) For communication LED (orange) For error LED (red)
Maximum cable distance between devices	118.11 in (3000 mm)
Transmission Rate	19200 bps
Connector type	5 pins M12 female 5 pins M12 male
Integrated connection type	USB type A 1.64 ft (0.5 m)
Material	Plastic and metal

Environment

Standards	CE
IP degree of protection	IP40 conforming to IEC 60529
Ambient Air Temperature for Storage	-4...113 °F (-20...45 °C)
Ambient Air Temperature for Operation	32...113 °F (0...45 °C)
Relative Humidity	95 % without condensation

Ordering and shipping details

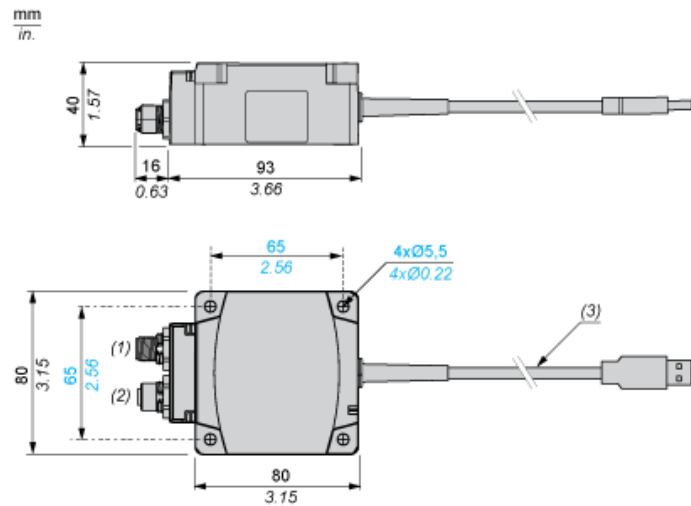
Category	22489-SENSORS XX ULTRASONIC GEN PURPOSE
Discount Schedule	DS2
GTIN	3389119631983
Returnability	Yes
Country of origin	FR

Packing Units

Unit Type of Package 1	PCE
Number of Units in Package 1	1
Package 1 Height	3.15 in (8.0 cm)
Package 1 Width	6.69 in (17.0 cm)
Package 1 Length	9.84 in (25.0 cm)
Package 1 Weight	21.16 oz (600.0 g)
Unit Type of Package 2	S02

Number of Units in Package 2	2
Package 2 Height	5.91 in (15.0 cm)
Package 2 Width	11.81 in (30.0 cm)
Package 2 Length	15.75 in (40.0 cm)
Package 2 Weight	3.65 lb(US) (1.655 kg)

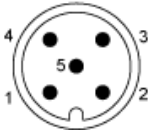
Dimensions



- (1) : Male M12 connector, 5-pin: power supply
- (2) : Female M12 connector, 5-pin: sensor
- (3) : Cable length: 0.5 m/1.64 ft. (USB cable A type connector): PC

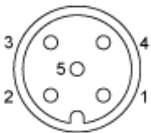
Connections

Interface Connector for Power Supply Adapter (M12 Male)



Pin number	Wire color	Description
1	BN: Brown	+14...30 VDC
2	WH: White	Output 2 (1) (2)
3	BU: Blue	0 VDC
4	BK: Black	Output 1 (1)
5	–	Not used (3)

Interface Connector for Sensor (M12 Female)



- (1) : Output is only active during the “echo display” mode and “measure” mode.
- (2) : Output 2 is not available on all sensors.
- (3) : The 5th pins of the M12 male and M12 female connectors are electrically connected to one another.

Pin number	Description
1	Power out to sensor
2	Software communication
3	0 VDC
4	Software communication
5	Not used (3)

X-ON Electronics

Largest Supplier of Electrical and Electronic Components

Click to view similar products for [Sensor Fixings & Accessories](#) category:

Click to view products by [Schneider](#) manufacturer:

Other Similar products are found below :

[8000-5130](#) [R4](#) [PBT420-100R](#) [SS-12143](#) [STA12](#) [AP4-T](#) [R6](#) [D01051301](#) [43912557-020](#) [D01070602](#) [606072](#) [606075](#) [28810-2](#) [ZX-SW11E](#)
[V3](#) [T63353](#) [32043-625](#) [SS-12225](#) [PH-2-60M](#) [ZS-SW11V3E](#) [STE-1042609RFRC](#) [STE-1186763RFM4](#) [76002066](#) [C115](#) [E02](#) [041](#) [G1](#) [C115](#)
[E05](#) [041](#) [G1](#) [SA9Z-S07PN02](#) [ECT18-WELL](#) [79450811](#) [P2435.3](#) [AS7030B_WRISTBAND](#) [AS7038GB_WRISTBAND](#) [51001R](#) [11027667-00](#)
[XUZD15](#) [ROTATEKNOB3D2GOKITTOBO1](#) [XUVF60M8](#) [1410RFT 6-12V AC/DC](#) [1411RFT-24V DC](#) [1420RFW 12-24V AC/DC](#)
[1420RFW 6-12V AC/DC](#) [1428 24-48V AC/DC](#) [1428RF 12-24V AC/DC](#) [1428RF 24-48V AC/DC](#) [1448RF 12-24V AC/DC](#) [1448RF 24-48V](#)
[AC/DC](#) [1448RFT 12-24V AC/DC](#) [1510 12-24V AC/DC](#) [1743 6-12V AC/DC](#) [1743BB 12-24V DC](#) [1748 12-24V AC/DC](#) [1748 24-48V](#)
[AC/DC](#)