

XY2CE1A296

Latching emergency stop rope pull switch,
Telemecanique rope pull switches XY2C, RH
side, 2NC+2 NO, pilot light 130 V, boot



Main

| | |
|---------------------------|--|
| Range of Product | Telemecanique Emergency stop rope pull switches XY2C |
| Product or Component Type | Latching emergency stop rope pull switch |
| Device short name | XY2CE |
| Housing colour | Red RAL 3000 |
| Overtoltage category | Class I EN/IEC 61140 Class I NF C 20-030 |

Complementary

| | |
|--|---|
| Local signalling | With pilot light, yellow, 24...130 V |
| Number of cables | 1 |
| Trigger cable maximum length | 229.66 ft (70 m) |
| Body Material | Zamak |
| Cover Material | Stainless steel |
| Reset | By booted push-button |
| [Us] rated supply voltage | 24...130 V AC/DC |
| Contacts type and composition | 2 NC + 2 NO |
| Contact operation | Slow-break |
| Trigger cable anchor point | RH side |
| Light block supply | Direct |
| Connections - terminals | Screw clamp terminal, 1 x 0.5...2 x 1.5 mm ² |
| Tightening torque | 7.08...10.62 lbf.in (0.8...1.2 N.m) |
| Cable entry number | 3 plain hole Pg 13.5 or ISO M20 cable gland |
| Safety level | Can reach PL = e with the appropriate monitoring system and correctly wired EN/ISO 13849-1 Can reach category 4 with the appropriate monitoring system and correctly wired EN/ISO 13849-1 Can reach SIL 3 with the appropriate monitoring system and correctly wired EN/IEC 61508 |
| Safety reliability data | B10d = 300000 value given for a life time of 20 years limited by mechanical or contact wear IEC 60947-5-5 |
| Marking | CE |
| Mechanical durability | 60000 cycles |
| Distance between cable supports | 16.40 ft (5 m) |
| [Ie] rated operational current | 3 A 240 V, AC-15, A300 EN/IEC 60947-5-1 appendix A 0.27 A 250 V, DC-13, Q300 EN/IEC 60947-5-1 appendix A |
| [Ithe] conventional enclosed thermal current | 10 A |
| [Ui] rated insulation voltage | 400 V 3)EN/IEC 60947-1 300 VUL 508 300 VCSA C22.2 No 14 |
| [Uimp] rated impulse withstand voltage | 6 kV EN/IEC 60947-1 |
| Positive opening | With EN/IEC 60947-5-1 |
| Maximum resistance across terminals | 25 MOhm EN/IEC 60255-7 category 3 25 MOhm NF C 93-050 method A |
| Short-circuit protection | 10 A cartridge fuse gG EN/IEC 60269 |

| | |
|-------------------------------|------------------------|
| Terminals description ISO n°1 | (21-22)NC (13-14)NO |
| Net Weight | 3.24 lb(US) (1.47 kg) |
| Compatibility code | XY2CE |

Environment

| | |
|---------------------------------------|---|
| Standards | EN/IEC 60204-1 EN/IEC 60947-5-5 EN/IEC 60947-5-1 Machinery directive 2006/42/EC CSA C22.2 No 14 UL 508 Work equipment directive 2009/104/EC EN/ISO 13850 |
| Product certifications | UL category NISD emergency stop devices CSA CCC |
| Protective treatment | TC |
| Ambient Air Temperature for Operation | -13...158 °F (-25...70 °C) |
| Ambient Air Temperature for Storage | -40...158 °F (-40...70 °C) |
| Vibration resistance | 10 gn 10...300 Hz)EN/IEC 60068-2-6 |
| Shock resistance | 50 gn 11 ms EN/IEC 60068-2-27 |
| IP degree of protection | IP66 IEC 60529 |

Ordering and shipping details

| | |
|-----------------------|---------------------------------|
| Category | 22441-LIMIT SWITCHES,CABLE PULL |
| Discount Schedule | T |
| GTIN | 3389110319279 |
| Nbr. of units in pkg. | 1 |
| Package weight(Lbs) | 3.51 lb(US) (1.592 kg) |
| Returnability | Yes |
| Country of origin | MA |

Packing Units

| | |
|------------------------------|-------------------------|
| Unit Type of Package 1 | PCE |
| Package 1 Height | 3.46 in (8.8 cm) |
| Package 1 width | 6.30 in (16 cm) |
| Package 1 Length | 7.95 in (20.2 cm) |
| Unit Type of Package 2 | S03 |
| Number of Units in Package 2 | 6 |
| Package 2 Weight | 22.20 lb(US) (10.07 kg) |
| Package 2 Height | 11.81 in (30 cm) |
| Package 2 width | 11.81 in (30 cm) |
| Package 2 Length | 15.75 in (40 cm) |

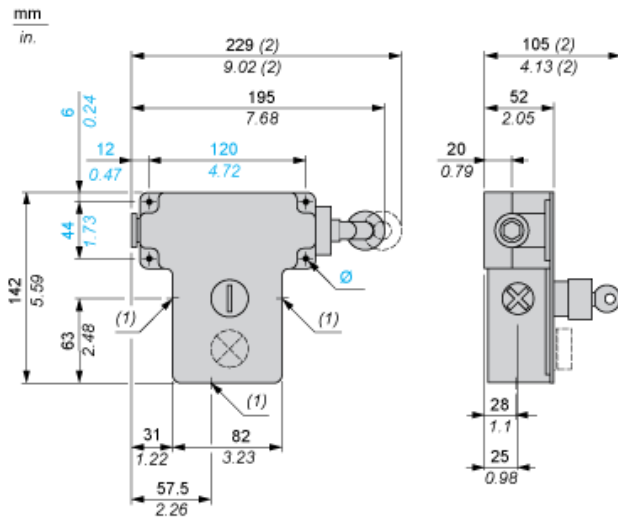
Offer Sustainability

| | |
|----------------------------|---|
| Sustainable offer status | Green Premium product |
| California proposition 65 | WARNING: This product can expose you to chemicals including: Diisononyl phthalate (DINP), which is known to the State of California to cause cancer, and Di-isodecyl phthalate (DIDP), which is known to the State of California to cause birth defects or other reproductive harm. For more information go to www.P65Warnings.ca.gov |
| REACH Regulation | REACH Declaration |
| EU RoHS Directive | Pro-active compliance (Product out of EU RoHS legal scope) EU RoHS Declaration |
| Mercury free | Yes |
| RoHS exemption information | Yes |
| Environmental Disclosure | Product Environmental Profile |

Contractual warranty

| | |
|----------|-----------|
| Warranty | 18 months |
|----------|-----------|

Dimensions

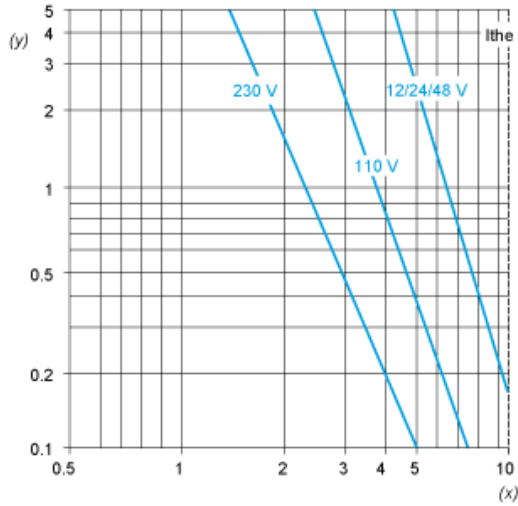


- (1) 3 plain holes for n° 13 (Pg 13.5) cable gland
- (2) Maximum extension.
- \varnothing 4 elongated holes $\varnothing 6$ mm/0.24 in.

Electrical Curves

AC Supply 50/60 Hz Inductive Circuit

2-pole Contact Block



Y Millions of operating cycles
X Current in A

DC Supply Power Broken in for 1 Million Operating Cycles Inductive Circuit

| | | | | |
|----------|---|----|----|-----|
| Voltage | V | 24 | 48 | 120 |
| I_{th} | W | 13 | 9 | 7 |

X-ON Electronics

Largest Supplier of Electrical and Electronic Components

Click to view similar products for [Cable Pull Switches](#) category:

Click to view products by [Schneider](#) manufacturer:

Other Similar products are found below :

[44506-6510](#) [601.2831.022](#) [CLSB2B-2](#) [601.1431.869](#) [601.2441.907](#) [601.2999.094](#) [601.2961.105](#) [601.2999.096](#) [601.2821.142](#) [601.2821.158](#)
[601.2821.150](#) [601.1821.133](#) [44506-5420](#) [44506-5480](#) [XY2CH13270](#) [XY2CH13270H29](#) [XY2CH13250H7](#) [XY2CJS15](#) [XY2CJS15H29](#)
[XY2CJS17](#) [XY2CJS17H29](#) [XY2CJS19](#) [XY2CJS19H29](#) [44506-4120](#) [44506-4010](#) [44506-4110](#) [44506-4130](#) [44506-5010](#) [RP-LM40D-6](#) [RP-](#)
[LM40D-6L](#) [RP-LS42F-75L](#) [RP-QM90F-100L](#) [RP-QMT72D-20L](#) [RP-RM83F-75LT](#) [RP-RM83F-38LRE](#) [RP-RM83F-38LTE](#) [RP-RM83F-](#)
[38LT](#) [1CPSA1A](#) [1CPSA1B](#) [1CPSA2](#) [1CPSA2A](#) [1CPSA2B](#) [1CPSA3](#) [1CPSA5](#) [1CPSA6A](#) [1CPSC1](#) [1CPSC2](#) [2CPSA1A1](#) [2CPSA1A1A](#)
[2CPSA1A1B](#)