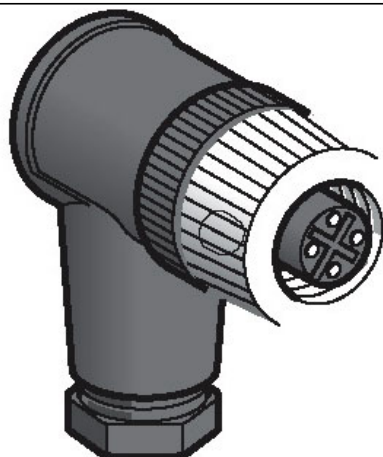


XZCC12FCM40B

female, M12, 4-pin, elbowed connector - cable gland Pg 7



Connections

Cable connection	Screw terminal $\leq 0.75 \text{ mm}^2$ 3...6 mm Pg 7
Cable connector fixing	Screw-on
Electrical connection	Female connector elbowed 4 pins M12

Electrical

[In] rated current	3 A
[Ue] rated operational voltage	125 V AC 150 V DC
Contact resistance	$\leq 8000 \mu\text{Ohm}$
Insulating resistance	$> 1000 \text{ GOhm}$

Environment

IP degree of protection	IP67
Ambient air temperature for operation	233.15 ... 358.15
RoHS EUR conformity date	0726
RoHS EUR status	Compliant

Functional

Status LED	Without
------------	---------

Physical characteristics

Collar material	Metal
Enclosure material	Plastic
Product weight	0.02 kg

Product identification

Accessory / separate part category	Cabling accessories
Accessory / separate part type	Connector

X-ON Electronics

Largest Supplier of Electrical and Electronic Components

Click to view similar products for [Sensor Fixings & Accessories](#) category:

Click to view products by [Schneider](#) manufacturer:

Other Similar products are found below :

[F03-01 SUS304 BINIL](#) [8000-5130](#) [FH-AP1](#) [PH-1-10M](#) [PH-1-20M](#) [PH-2-30M](#) [AC201](#) [R4](#) [ADI-LC3S](#) [EC18-WELL](#) [PC-15015](#) [K35-4](#) [A-1923](#) [SS-12143](#) [STA12](#) [AP4-T](#) [PH-1-50M](#) [R6](#) [D01051301](#) [43912557-020](#) [MF-1 D=3.2](#) [BGN-035](#) [E39-L7](#) [ZX-SB11](#) [D01070602](#) [606072](#) [606075](#) [Y92ES12PVC4A10ML](#) [Y92ES12PVC4S5ML](#) [SA9Z-F11](#) [Z49-SF1](#) [ZFV-XMF2](#) [E4R-R12A-CS3M010](#) [28810-2](#) [ZX-SW11E V3](#) [CCS-PL-LDR2-70](#) [E4R-R12A-CS3M020](#) [BS-1T CHITAN](#) [F03-01 CHITAN](#) [CCS-PD2-1012](#) [PH-2-90M](#) [PH-2-5M](#) [XMLZL008](#) [AC244](#) [28810-1](#) [PH-1-40M](#) [SS-12225](#) [32043-500](#) [81532111](#) [PH-2-60M](#)