

### Main

|                                    |                      |
|------------------------------------|----------------------|
| Accessory / separate part category | Cabling accessory    |
| Accessory / separate part type     | Pre-wired connectors |
| Series name                        | General purpose      |

### Complementary

|                          |   |
|--------------------------|---|
| Electrical connection    | M12, 5 pins (included earth pin) elbowed female connector |
| Cable connector fixing   | Screw-on  |
| Collar material          | Metal   |
| Status LED               | Without   |
| Cable length             | 6.56 ft (2 m)   |
| Cable outer diameter     | 0.23 in (5.9 mm)  |
| Cable composition        | 5 x 0.34 mm <sup>2</sup>                                  |
| Wire insulation material | PUR   |
| System Voltage           | 60 V AC<br>75 V DC  |
| Line Rated Current       | 4 A   |
| Contact resistance       | 5000 µOhm   |
| Insulating resistance    | 1 GΩ  |
| Product weight           | 0.25 lb(US) (0.115 kg)                                    |

### Environment

|                                       |   |
|---------------------------------------|---|
| IP degree of protection               | IP65<br>IP67<br>IP69K   |
| product certifications                | CULus   |
| ambient air temperature for operation | -40...176 °F (-40...80 °C) (static)<br>23...176 °F (-5...80 °C) (flexing) |
| ambient air temperature for storage   | -40...176 °F (-40...80 °C)  |

### Offer Sustainability

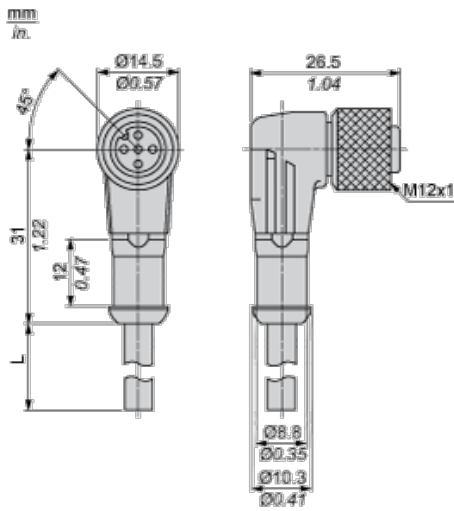
|  |  |
|--|--|
| Green Premium product  | Green Premium product  |
| Compliant - since 0649 - Schneider Electric declaration of conformity  | Compliant - since 0649 - Schneider Electric declaration of conformity  |
| Reference not containing SVHC above the threshold  | Reference not containing SVHC above the threshold  |
| Available  | Available  |
| Available  | Available  |
| WARNING: This product can expose you to chemicals including:   | WARNING: This product can expose you to chemicals including:   |
| Diisononyl phthalate (DINP), which is known to the State of California to cause cancer, and                                | Diisononyl phthalate (DINP), which is known to the State of California to cause cancer, and                                |
| Di-isodecyl phthalate (DIDP), which is known to the State of California to cause birth defects or other reproductive harm. | Di-isodecyl phthalate (DIDP), which is known to the State of California to cause birth defects or other reproductive harm. |

The information provided in this documentation contains general descriptions and/or technical characteristics of the performance of the products contained herein. This documentation is not intended as a substitute for and is not to be used for determining suitability or reliability of these products for specific user applications. It is the duty of any such user or integrator to perform the appropriate and complete risk analysis, evaluation and testing of the products with respect to the relevant specific application or use thereof. Neither Schneider Electric Industries SAS nor any of its affiliates or subsidiaries shall be responsible or liable for misuse of the information contained herein.

## Contractual warranty

|                 |           |
|-----------------|-----------|
| Warranty period | 18 months |
|-----------------|-----------|

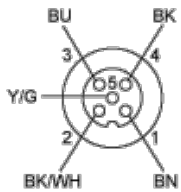
## Dimensions



L : Length of cable

## Connections and Schemes

### Connectors



BU : Blue

BN : Brown

BK : Black

Y/G : Yellow / Green

BK/WH : Black / White

## X-ON Electronics

Largest Supplier of Electrical and Electronic Components

*Click to view similar products for [Sensor Cables / Actuator Cables](#) category:*

*Click to view products by [Schneider](#) manufacturer:*

Other Similar products are found below :

[60963](#) [60964](#) [703000D02F2002](#) [703001D02F0602](#) [703001D02F300](#) [704000D02F120](#) [773032K02F030](#) [802027107404-1](#) [802027213811-1](#)  
[804001A09M150](#) [805001A09M0502](#) [84914-0235](#) [84914-0237](#) [885030A09M020](#) [8R4J30E03C3003](#) [1200651332](#) [1200651713](#) [1200660844](#)  
[1200660845](#) [1200661173](#) [1200680071](#) [1200720053](#) [1200720081](#) [1200720099](#) [1200720217](#) [1200800231](#) [1200860125](#) [1200870123](#)  
[1200980102](#) [1200650267](#) [1200650298](#) [1200660183](#) [1200660782](#) [1200660849](#) [1200661295](#) [1200661297](#) [1200661342](#) [1200661343](#)  
[1200670080](#) [1200670220](#) [1200680331](#) [1200720252](#) [1200730184](#) [1200860344](#) [1200870359](#) [1200870643](#) [1200980008](#) [1200980031](#)  
[1210502211](#) [1210400542](#)