

# Product data sheet

Specifications



## Pre wired connectors XZ, elbowed female, 1/2"20 UNF, 3 pins, cable PUR 10 m

XZCP1965L10

### Main

Range of product	Telemecanique Cabling components
Accessory / separate part category	Cabling accessory
Accessory / separate part type	Pre-wired connectors
Series name	General purpose

### Complementary

Electrical connection	Elbowed female connector 1/2"20 UNF, 3 pins
Cable connector fixing	Screw-on
Collar material	Metal
Status LED	Without
Cable length	10 m
Cable outer diameter	5.2 mm
Cable composition	3 x 0.34 mm <sup>2</sup>
Wire insulation material	PUR
[Ue] rated operational voltage	250 V AC 300 V DC
[In] rated current	4 A
Contact resistance	5000 µOhm
Minimum insulating resistance	1 GΩ
Net weight	0.4 kg

### Environment

IP degree of protection	IP67
Product certifications	cULus
Ambient air temperature for operation	-35...90 °C static -5...90 °C flexing
Ambient air temperature for storage	-35...100 °C

### Packing Units

Unit Type of Package 1	PCE
------------------------	-----

<b>Number of Units in Package 1</b>	1
<b>Package 1 Height</b>	4.0 cm
<b>Package 1 Width</b>	20.0 cm
<b>Package 1 Length</b>	20.0 cm
<b>Package 1 Weight</b>	258.0 g
<b>Unit Type of Package 2</b>	S02
<b>Number of Units in Package 2</b>	10
<b>Package 2 Height</b>	15.0 cm
<b>Package 2 Width</b>	30.0 cm
<b>Package 2 Length</b>	40.0 cm
<b>Package 2 Weight</b>	2.82 kg

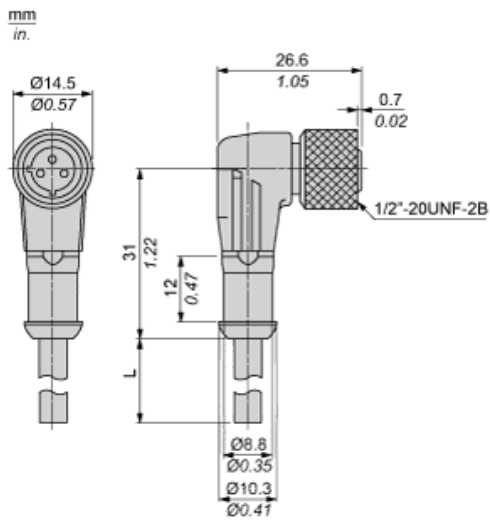
## Offer Sustainability

<b>Sustainable offer status</b>	Green Premium product
<b>REACH Regulation</b>	<a href="#">REACH Declaration</a>
<b>EU RoHS Directive</b>	Pro-active compliance (Product out of EU RoHS legal scope) <a href="#">EU RoHS Declaration</a>
<b>Mercury free</b>	Yes
<b>RoHS exemption information</b>	<a href="#">Yes</a>
<b>Environmental Disclosure</b>	<a href="#">Product Environmental Profile</a>
<b>Circularity Profile</b>	<a href="#">End of Life Information</a>
<b>California proposition 65</b>	WARNING: This product can expose you to chemicals including: Diisononyl phthalate (DINP), which is known to the State of California to cause cancer, and Di-isodecyl phthalate (DIDP), which is known to the State of California to cause birth defects or other reproductive harm. For more information go to <a href="http://www.P65Warnings.ca.gov">www.P65Warnings.ca.gov</a>

## Contractual warranty

<b>Warranty</b>	18 months
-----------------	-----------

Dimensions



L : Length of cable

**Connections and Schemes**

---

**Connectors**



**GN :** Green  
**RD/WH :** Red / White  
**RD/BK :** Red / Black

**Recommended replacement(s)**

## X-ON Electronics

Largest Supplier of Electrical and Electronic Components

*Click to view similar products for [Sensor Cables / Actuator Cables](#) category:*

*Click to view products by [Schneider](#) manufacturer:*

Other Similar products are found below :

[60963](#) [60964](#) [M83513/19-F01CP](#) [703000D02F2002](#) [703000D02F300](#) [703001D02F1201](#) [703001D02F300](#) [704000D02F120](#) [773032K02F030](#)  
[802027213811-1](#) [804001A09M150](#) [84914-0235](#) [84914-0237](#) [883030A09M050](#) [884031A09M005](#) [885030A09M010](#) [8R4006A18M010](#)  
[8R4J30E03C3003](#) [1200650503](#) [1200651713](#) [1200680071](#) [1200720537](#) [1200860125](#) [1200870123](#) [1200650218](#) [1200660183](#) [1200661295](#)  
[1200661297](#) [1200661342](#) [1200670080](#) [1200720139](#) [1200720255](#) [1200720597](#) [1200730184](#) [1200860344](#) [1200870359](#) [1200870643](#)  
[1200980008](#) [1200980031](#) [1210401265](#) [1211810021](#) [1300060465](#) [1300060544](#) [1300060784](#) [1300061140](#) [1300061169](#) [1300061497](#)  
[1300101010](#) [1300101015](#) [1300101144](#)