

Product availability: Non-Stock - Not normally stocked in distribution facility



Main

Accessory / separate part category	Cabling accessory
Accessory / separate part type	Pre-wired connectors
Series name	General purpose

Complementary

Electrical connection	M12, 4 pins elbowed male connector
Cable connector fixing	Screw-on
Collar material	Metal
Status LED	Without
Cable length	6.56 ft (2 m)
Cable outer diameter	0.18 in (4.6 mm)
Cable composition	4 x 0.25 mm ²
Wire insulation material	PVC
System Voltage	250 V AC 300 V DC
Line Rated Current	3 A
Contact resistance	5000 µOhm
Insulating resistance	1 GΩ
Product weight	0.2 lb(US) (0.09 kg)

Environment

IP degree of protection	IP65 IP67
Product certifications	cULus
Ambient air temperature for operation	-13...176 °F (-25...80 °C) (static)
Ambient air temperature for storage	-13...176 °F (-25...80 °C)

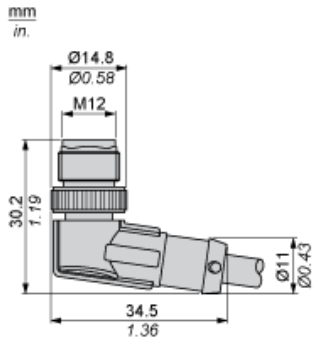
Ordering and shipping details

Category	22483 - MACHINE CABLES
Discount Schedule	DS3
GTIN	003389119621571
Nbr. of units in pkg.	1
Package weight(Lbs)	0.9000000000000002
Returnability	N
Country of origin	DE

Offer Sustainability

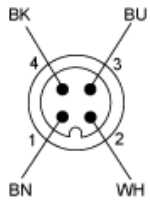
California proposition 65	WARNING: This product can expose you to chemicals including:
----- Substance 1	Diisononyl phthalate (DINP), which is known to the State of California to cause cancer, and
----- Substance 2	Di-isodecyl phthalate (DIDP), which is known to the State of California to cause birth defects or other reproductive harm.
----- More information	For more information go to www.p65warnings.ca.gov

Dimensions



Connections and Schemes

Connector



BN : Brown
BK : Black
BU : Blue
WH : White

X-ON Electronics

Largest Supplier of Electrical and Electronic Components

Click to view similar products for [Sensor Cables / Actuator Cables](#) category:

Click to view products by [Schneider](#) manufacturer:

Other Similar products are found below :

[60963](#) [60964](#) [703000D02F2002](#) [703001D02F0602](#) [703001D02F300](#) [704000D02F120](#) [773032K02F030](#) [802027107404-1](#) [802027213811-1](#)
[804001A09M150](#) [805001A09M0502](#) [84914-0235](#) [84914-0237](#) [885030A09M020](#) [1200651332](#) [1200651713](#) [1200660844](#) [1200660845](#)
[1200661173](#) [1200680071](#) [1200720053](#) [1200720081](#) [1200720099](#) [1200720217](#) [1200800231](#) [1200860125](#) [1200870123](#) [1200980102](#)
[1200650267](#) [1200650298](#) [1200660183](#) [1200660782](#) [1200660849](#) [1200661295](#) [1200661297](#) [1200661342](#) [1200661343](#) [1200670080](#)
[1200670220](#) [1200680331](#) [1200720252](#) [1200730184](#) [1200860344](#) [1200870359](#) [1200870643](#) [1200980008](#) [1200980031](#) [1210502211](#)
[1210400542](#) [1211810021](#)