

Product availability: Non-Stock - Not normally stocked in distribution facility



### Main

|                           |                                      |
|---------------------------|--------------------------------------|
| Range of product          | Harmony XB5                          |
| Product or component type | Wireless and batteryless transmitter |
| Device short name         | XB5R                                 |
| Bezel material            | Plastic                              |
| Fixing collar material    | Plastic                              |
| Mounting diameter         | 0.87 in (22 mm)                      |
| Transmission frequency    | 2405 MHz                             |
| Emission class            | 5M00G7W                              |
| Antenna type              | Omnidirectional                      |

### Complementary

|                              |  |
|------------------------------|--|
| Shape of signaling unit head | Round  |
| Type of operator             | Spring return push-button with transmitter   |
| Operator profile             | Flush yellow   |
| Max power consumption in W   | 1 mW   |
| Number of channels           | 1  |
| Modulation technique         | O-QPSK   |
| Bandwidth                    | 5 MHz  |
| Antenna gain                 | 0 dBi  |
| Embedding depth              | 42 mm  |
| CAD overall height           | 1.63 in (41.5 mm)  |
| CAD overall width            | 1.18 in (30 mm)  |
| CAD overall depth            | 1.69 in (43 mm)  |
| Product weight               | 0.1 lb(US) (0.045 kg)  |
| Operating travel             | 0.17 in (4.3 mm) total travel  |
| Operating force              | 25 N C/O changing electrical state   |
| Mechanical robustness        | Free fall resistance (test level: 1000 mm) conforming to EN/IEC 60068-2-32   |
| Standards                    | UL 508<br>EN/IEC 60947-5-1<br>EN/IEC 60947-1<br>CSA C22.2 No 14  |
| Radio agreement              | RSS<br>SRRC<br>ICASA<br>ANATEL<br>ARIB T66<br>FCC  |
| Communication port protocol  | Zigbee (green power) at 2.4 GHz conforming to IEEE 802.15.4  |
| Maximum sensing distance     | 328.08 ft (100 m) in free field<br>82.02 ft (25 m) transmitter in a plastic box type XAL D and receiver in a metal enclosure<br>300 m transmitter in box type XAL D, receiver in metal enclosure and use relay-antenna |
| Acquisition time             | 2 ms   |
| Response time                | < 2 ms   |
| Emission power               | 3 mW   |
| Fixing mode                  | Fixing nut beneath head recommended torque: 2...2.4 N.m  |
| Station name                 | XALD 1...5 cut-outs<br>XALK 2...5 cut-outs   |
| Electrical composition code  | PW1  |

## Environment

|                                       |   |
|---------------------------------------|---|
| Ambient air temperature for storage   | -40...158 °F (-40...70 °C)  |
| Ambient air temperature for operation | -13...131 °F (-25...55 °C)  |
| Relative humidity                     | 95 % at 158 °F (70 °C) without condensation   |
| IP degree of protection               | IP65 on front face conforming to IEC 60529<br>IP30 on back face conforming to IEC 60529<br>IP65 on front face conforming to UL Type 12  |
| IK degree of protection               | IK03 conforming to IEC 50102  |
| Mechanical durability                 | 1000000 cycles  |
| Shock resistance                      | 25 gn (duration = 6 ms) 6000 shocks conforming to IEC 60068-2-27<br>30 gn (duration = 18 ms) half sine wave acceleration conforming to IEC 60068-2-27<br>50 gn (duration = 11 ms) half sine wave acceleration conforming to IEC 60068-2-27  |
| Vibration resistance                  | +/- 10 mm (f = 2...11 Hz) conforming to IEC 60068-2-6<br>5 gn (f = 11...500 Hz) conforming to IEC 60068-2-6   |
| Electromagnetic compatibility         | Immunity for industrial environments<br>Radiated emission<br>Electrostatic discharge immunity test (test level: 8 kV - in free air (in insulating parts))<br>Electrostatic discharge immunity test (test level: 6 kV - on contact (on metal parts))<br>Susceptibility to electromagnetic fields (test level: 10 V/m - 80...2000 MHz)<br>Susceptibility to electromagnetic fields (test level: 3 V/m - 80...2700 MHz, distance = 20 m) |
| Product certifications                | GOST<br>CCC<br>C-Tick<br>CSA<br>BT 2006/95/EC<br>UL   |
| Directives                            | 1999/5/EC - R&TTE directive<br>2004/108/EC - electromagnetic compatibility  |

## Ordering and shipping details

|                       |                                   |
|-----------------------|-----------------------------------|
| Category              | 22470 - XB5R WIRELESS PUSH BUTTON |
| Discount Schedule     | I                                 |
| GTIN                  | 00785901706151                    |
| Nbr. of units in pkg. | 1                                 |
| Package weight(Lbs)   | 0.10000000000000001               |
| Returnability         | N                                 |
| Country of origin     | FR                                |

## Offer Sustainability

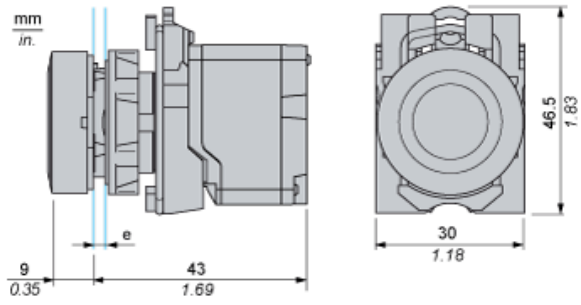
|                                  |  |
|----------------------------------|--|
| Sustainable offer status         | Green Premium product  |
| RoHS (date code: YYWW)           | Compliant - since 1040 - Schneider Electric declaration of conformity <a href="#">Schneider Electric declaration of conformity</a> |
| REACH                            | Reference not containing SVHC above the threshold  |
| Product environmental profile    | Available  |
| Product end of life instructions | Available  |
| California proposition 65        | WARNING: This product can expose you to chemicals including:   |
| ----- Substance 1                | Nickel compounds, which is known to the State of California to cause cancer, and   |
| ----- Substance 2                | Di-isodecyl phthalate (DIDP), which is known to the State of California to cause birth defects or other reproductive harm.         |
| ----- More information           | For more information go to <a href="http://www.p65warnings.ca.gov">www.p65warnings.ca.gov</a>                                      |

## Contractual warranty

|                 |           |
|-----------------|-----------|
| Warranty period | 18 months |
|-----------------|-----------|

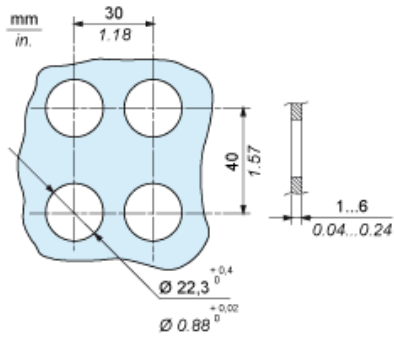
Wireless and Batteryless Pushbutton - Transmitter

With Plastic Pushbutton without Cap

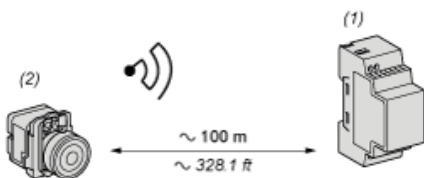


e: panel thickness 1 to 6 mm / 0.039 to 0.24 in.

Transmitter Mounting

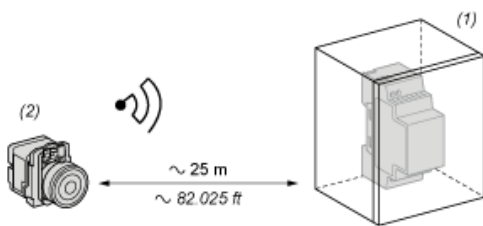


Transmitter Clearance in Free Field Unobstructed



- (1): Receiver
- (2): Transmitter

Transmitter Clearance in a Metal Enclosure



- (1): Metal enclosure
- (2): Transmitter

The range is reduced if the transmitter is placed in a metal enclosure (reduction factor: approx 10%)

|                 |            |
|-----------------|------------|
| Glass window    | 10...20 %  |
| Plaster wall    | 30...45 %  |
| Brick wall      | 60 %       |
| Concrete wall   | 70...80 %  |
| Metal structure | 50...100 % |

## X-ON Electronics

Largest Supplier of Electrical and Electronic Components

*Click to view similar products for [Pushbutton Switches](#) category:*

*Click to view products by [Schneider](#) manufacturer:*

Other Similar products are found below :

[8940K2012](#) [LW1L-M1C10V-A](#) [LW1L-M1C70-A](#) [LW2L-A1C20M-GD](#) [LW2L-M1C20M-A](#) [60324L](#) [M22-D-R-GB0/K11](#) [M7E-HRN2](#)  
[67021K512](#) [67081K512X](#) [701PB580](#) [7199K101](#) [810K12910](#) [810KSV30B](#) [MML21EA2ADK](#) [MML21KA3ABK](#) [MML23KA3AC05K-001](#)  
[MML23KW3AA01W](#) [8418K2](#) [8442K3](#) [8450K1](#) [860K11911T01A](#) [861901](#) [861K11911T01A07](#) [861K13810T00A14](#) [861K13911](#)  
[8646AB6X718UL](#) [8646ABUL](#) [9001KXRK](#) [907AYY100](#) [PMHD155A1](#) [9533CD4+U574+U4922](#) [95-414.000](#) [99-450.837](#) [99-453.837](#)  
[PV3H2B0NN-341](#) [1203MRA](#) [A22NZBGANGA](#) [A22NZBNANGA](#) [A22NZMPATRA](#) [A2PMA1X03EC56](#) [A3A-5123-02](#) [A3A-7140](#) [A3A-7310](#) [A3A-7340](#) [A3U-TMW-A2C-5M](#) [A595](#) [12037A2ULCSA](#) [ABD122N-B](#) [1211390004](#)