



## Main

Range of Product	Harmony XB5R
Product or Component Type	Empty handy box
Device short name	ZBRM
Product destination	For XB5R Ø 22 mm control units
Control station application	One function

## Complementary

Colour of base of enclosure	Dark grey RAL 7016)
Colour of cover	Dark grey RAL 7016)
Material	Polycarbonate
Net Weight	0.44 lb(US) (0.2 kg)

## Environment

Ambient Air Temperature for Storage	-40...158 °F (-40...70 °C)
Ambient air temperature for operation	-13...131 °F (-25...55 °C)
IP degree of protection	IP65 IEC 60529
IK degree of protection	IK03 EN 50102
Standards	ETSI EN 301 489-1 ETSI EN 300 440-1 ETSI EN 300 440-2 ETSI EN 301 489-3 UL 508 CSA C22.2 No 14 EN/IEC 60947-5-1
Product Certifications	C-tick FCC ANATEL RSS BT 2006/95/EC GOST CE SRRC
Directives	2004/108/EC - electromagnetic compatibility 1999/5/EC - R&TTE directive

## Ordering and shipping details

Category	22470 - XB5R WIRELESS PUSH BUTTON
Discount Schedule	I
GTIN	3606480334696
Nbr. of units in pkg.	1
Package weight(Lbs)	3.46 oz (98 g)
Returnability	Yes
Country of origin	FR

## Packing Units

Unit Type of Package 1	PCE
Package 1 Height	3.27 in (8.3 cm)
Package 1 width	3.54 in (9 cm)
Package 1 Length	3.66 in (9.3 cm)
Unit Type of Package 2	S03
Number of Units in Package 2	36
Package 2 Weight	8.85 lb(US) (4.014 kg)
Package 2 Height	11.81 in (30 cm)
Package 2 width	11.81 in (30 cm)
Package 2 Length	15.75 in (40 cm)

## Offer Sustainability

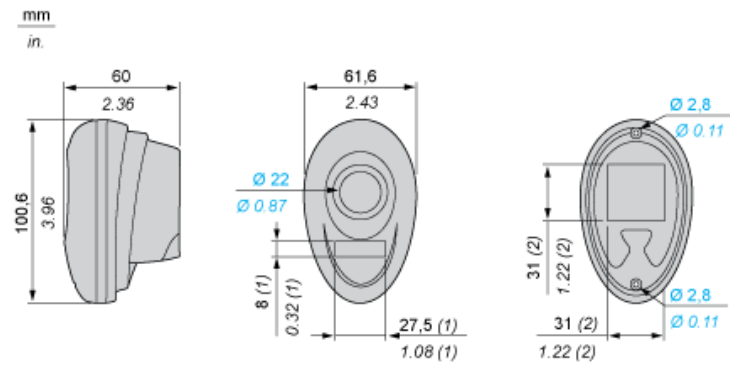
Sustainable offer status	Green Premium product
California proposition 65	WARNING: This product can expose you to chemicals including: Nickel compounds, which is known to the State of California to cause cancer, and Di-isodecyl phthalate (DIDP), which is known to the State of California to cause birth defects or other reproductive harm. For more information go to <a href="http://www.P65Warnings.ca.gov">www.P65Warnings.ca.gov</a>
REACH Regulation	<a href="#">REACH Declaration</a>
EU RoHS Directive	Pro-active compliance (Product out of EU RoHS legal scope) <a href="#">EU RoHS Declaration</a>
Mercury free	Yes
RoHS exemption information	<a href="#">Yes</a>
China RoHS Regulation	<a href="#">China RoHS Declaration</a>
Environmental Disclosure	<a href="#">Product Environmental Profile</a>
Circularity Profile	<a href="#">End Of Life Information</a>

## Contractual warranty

Warranty	18 months
----------	-----------

Wireless and Batteryless Pushbutton - Transmitter

Plastic Handy Box for Mobile Use

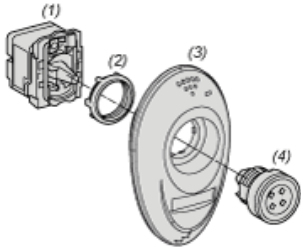


- (1) Location for ZBY0101T legend.
- (2) Location for magnet to be stuck on by the customer.

---

Mounting of Empty Mobile Box

---



- (1): Transmitter
- (2): Fixing nut
- (3): Empty mobile box
- (4): Pushbutton

## X-ON Electronics

Largest Supplier of Electrical and Electronic Components

*Click to view similar products for [Switch Cases / Switch Covers](#) category:*

*Click to view products by [Schneider](#) manufacturer:*

Other Similar products are found below :

[704.925.2](#) [AMS-8C](#) [DPS8L2](#) [DPS8P2](#) [DPS8PW2](#) [AP-DV](#) [PBBOX1HBY](#) [PBBOX4HBY](#) [SA1074](#) [HE9Z-D5Y](#) [3107](#) [A3C-3002](#) [L188](#)  
[EUK-704.927.0](#) [EUK-704.927.4](#) [HE9Z-D5N1](#) [W42](#) [L180](#) [M539](#) [HE9Z-D5B](#) [08-0-0-01](#) [905](#) [08-0-0-02](#) [M1080](#) [A165-CTA](#) [435238-5](#)  
[M1080-1](#) [704.927.6](#) [51-920](#) [61-9922.0](#) [HW9Z-KL1](#) [9001K7](#) [A3PJ-5060](#) [113160](#) [2202](#) [113260](#) [2202](#) [113260](#) [M12](#) [2201](#) [L167](#) [SA1072](#)  
[M1080-2](#) [PBBOX1HBG](#) [PBBOX3HBG](#) [PBBOX4HBG](#) [1.20.810.302/0000](#) [3109](#) [3103](#) [3206](#) [3209](#) [61-9920.0](#) [61-9924.0](#) [76P02](#) [76P06](#)