



Product availability: Stock - Normally stocked in distribution facility



Main

| | |
|-----------------------------|--------------------------------|
| Range of product | Harmony XB5R |
| Product or component type | Empty handy box |
| Device short name | ZBRM |
| Product destination | For XB5R Ø 22 mm control units |
| Control station application | Two functions |

Complementary

| | |
|-----------------------------|-----------------------|
| Colour of base of enclosure | Green Pantone 355C |
| Colour of cover | Dark grey RAL 7016 |
| Material | Polycarbonate |
| Product weight | 0.24 lb(US) (0.11 kg) |


Environment

| | |
|---------------------------------------|---|
| Ambient air temperature for storage | -40...158 °F (-40...70 °C) |
| Ambient air temperature for operation | -13...131 °F (-25...55 °C) |
| IP degree of protection | IP65 conforming to IEC 60529 |
| IK degree of protection | IK03 conforming to EN 50102 |
| Standards | ETSI EN 301 489-3 CSA C22.2 No 14 ETSI EN 301 489-1 UL 508 ETSI EN 300 440-2 ETSI EN 300 440-1 EN/IEC 60947-5-1 |
| Product certifications | FCC SRRC RSS GOST ANATEL CE C-Tick BT 2006/95/EC |
| Directives | 2004/108/EC - electromagnetic compatibility 1999/5/EC - R&TTE directive |

Ordering and shipping details

| | |
|-----------------------|-----------------------------------|
| Category | 22470 - XB5R WIRELESS PUSH BUTTON |
| Discount Schedule | I |
| GTIN | 00785901646853 |
| Nbr. of units in pkg. | 1 |
| Package weight(Lbs) | 0.31 |
| Returnability | Y |
| Country of origin | HU |

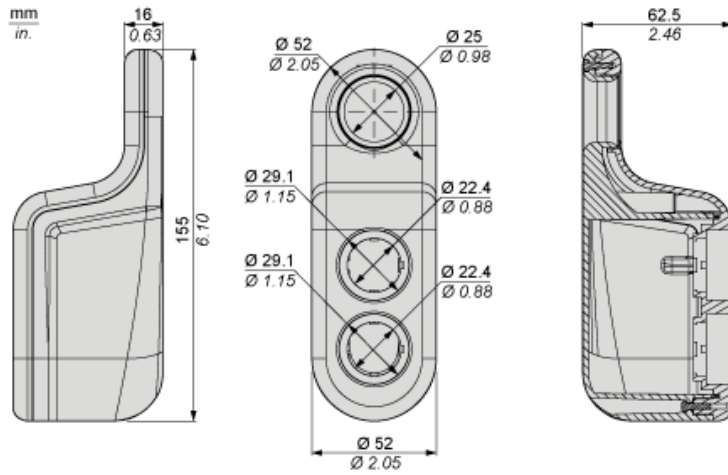
Offer Sustainability

| | |
|----------------------------------|--|
| Sustainable offer status | Green Premium product |
| RoHS (date code: YYWW) | Compliant - since 1402 - Schneider Electric declaration of conformity  Schneider Electric declaration of conformity |
| REACH | Reference not containing SVHC above the threshold |
| Product environmental profile | Available |
| Product end of life instructions | Available |
| California proposition 65 | WARNING: This product can expose you to chemicals including: |
| ----- Substance 1 | Nickel compounds, which is known to the State of California to cause cancer, and |
| ----- Substance 2 | Di-isodecyl phthalate (DIDP), which is known to the State of California to cause birth defects or other reproductive harm. |
| ----- More information | For more information go to www.p65warnings.ca.gov |

Dimensions

Wireless and Batteryless Pushbutton

Plastic Mobile Box for Mobile or Fix Use - 2 Functions



X-ON Electronics

Largest Supplier of Electrical and Electronic Components

Click to view similar products for [Switch Cases / Switch Covers](#) category:

Click to view products by [Schneider](#) manufacturer:

Other Similar products are found below :

[704.925.2](#) [AMS-8C](#) [DPS8L2](#) [DPS8P2](#) [DPS8PW2](#) [AP-DV](#) [PBBOX1HBY](#) [PBBOX4HBY](#) [SA1074](#) [HE9Z-D5Y](#) [3107](#) [A3C-3002](#) [L188](#)
[EUK-704.927.0](#) [EUK-704.927.4](#) [HE9Z-D5N1](#) [W42](#) [L180](#) [M539](#) [HE9Z-D5B](#) [08-0-0-01](#) [905](#) [08-0-0-02](#) [M1080](#) [A165-CTA](#) [435238-5](#)
[M1080-1](#) [704.927.6](#) [51-920](#) [61-9922.0](#) [HW9Z-KL1](#) [9001K7](#) [A3PJ-5060](#) [113160](#) [2202](#) [113260](#) [2202](#) [113260](#) [M12](#) [2201](#) [L167](#) [SA1072](#)
[M1080-2](#) [PBBOX1HBG](#) [PBBOX3HBG](#) [PBBOX4HBG](#) [1.20.810.302/0000](#) [3109](#) [3103](#) [3206](#) [3209](#) [61-9920.0](#) [61-9924.0](#) [76P02](#) [76P06](#)