



Electronic Cases



2009 Edition

Perfect Combination

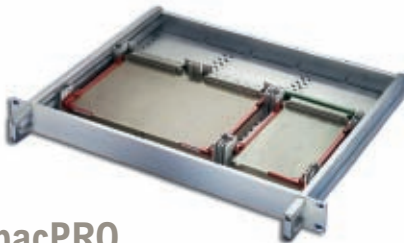
Form and function for measurement, instrumentation and control technology in a wide range of industries



- Medical instrumentation
- Lab/data analysis
- Communications diagnostics

Electronic Cases

- High quality protection for sensitive electronics
- Effective EMC shielding concepts
- Flexible design emphasis



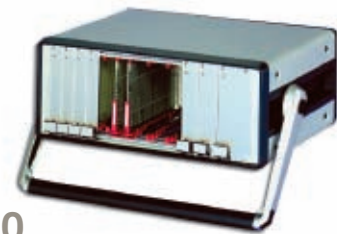
multipacPRO

- Ideal for all low profile rackmounted chassis applications
- Available in sheet metal version for volume requirements
- Perfect 'pizza boxes' slot in 1U and 2U sizes



inpac

- Ideal for heavy duty industrial
- 19" rack mount applications
- Top and bottom covers easily removed for access
- Rugged diecast and extruded framework
- Cost-effective solution



compacPRO

- Ideal for Medical, Test, or VME based applications
- Available in desktop or portable models
- Easily customized
- Rugged diecast and extruded framework
- Top and bottom covers easily removed for access
- Adjustable tip-up handle



ratiopacPRO/-air

- Aesthetic, flexible design – perfect for instrumentation
- High Performance EMC option
- Available in rackmount, desktop, and tower models
- Efficient thermal management



comptec

- Ideal as the 'desk top cabinet' for applications where there is a need to house 19" rackmounted equipment
- Applications: R & D Labs, demo equipment, table top cabinet requirements
- Rugged diecast and extruded frame



Test and Measurement

Schroff cases provide mounting for a wide variety of electronic equipment including:

- VME/CPCI boards
- Power supplies
- Motherboards
- Test panels
- Custom front/rear panels
- Cooling

They can be configured to handle a wide range of applications in test measurement from photonics, to communications diagnostics, to chromatography to portable data acquisition.

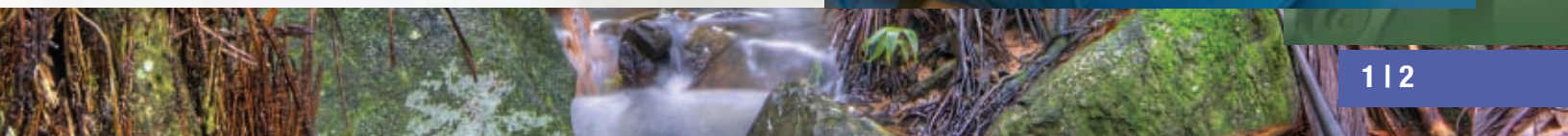
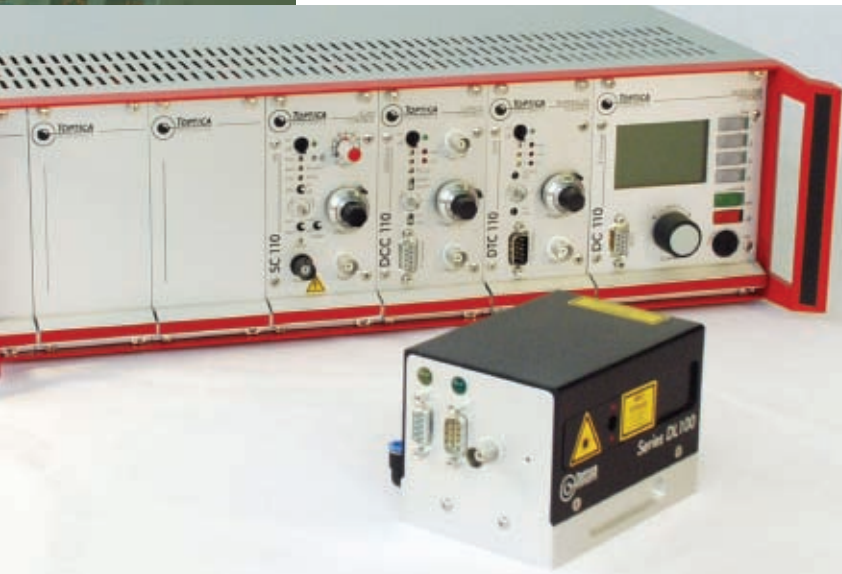
Medical

Schroff electronic cases are the perfect solution for a range of medical applications including:

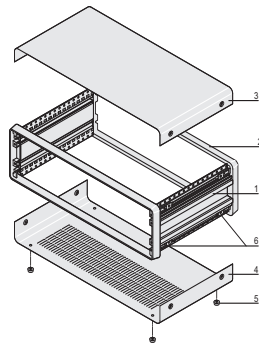
- Electro-surgical equipment
- Embedded systems
- Portable diagnostic equipment
- Available in standard and EMC configurations

The cases feature:

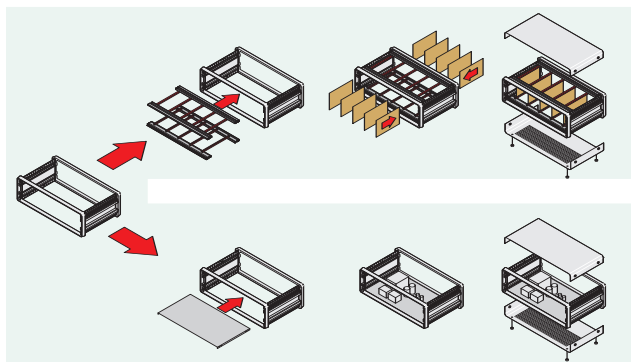
- Rugged construction
- Easy to clean surfaces
- Aesthetic design
- Easily customized
- Accommodates a range of board and component modules
- Wide range of accessories



compacPRO



- Cost effective, rugged case for desktop or portable applications
- Pre-mounted, empty case for individual assembly
- Flexible assemblies, prepared for 19" components or individual assembly, e.g. with chassis plate
- Die-cast frame front and rear, highly stable through one-piece design and panel dimensioning
- Wide range of accessories, coordinated for mobile applications
- Non-sensitive, scratch-resistant surfaces through powder coating up-to-date color design
- Top cover and base plate removable subsequently
- Full-width front panel without visible screws
- Individual mounting service from 1 case
- Full range of accessories including tip-up handles, filler panels and equipment mounting

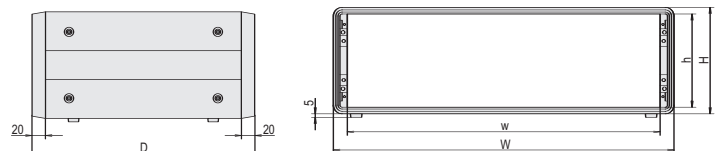


Delivery includes (kit, item 1 and 2 assembled)

Item	Qty	Description
1	2	Side panel, Al extrusion, RAL 7016
2	2	Frame, Al die-cast, RAL 7016
3	1	Cover, Al, 1.5mm, RAL 9006, with GND/earthing connection
4	1	Base with perforation, Al, 1.5mm, RAL 9006, with GND/earthing connection
5	4	Case foot with anti-slip protection, PC, black
6	8	Mounting adapter cover plate, pre-mounted
7	1	The assembly kit allows to assemble a full-width front panel and a rear panel additionally

Ordering Information

Height U	Usable width HP	Width W mm	Width w mm	Height H mm	Height h mm	Depth D mm	Order no.
2	42	257	219	102.6	84.4	271	14575-023
2	42	257	219	102.6	84.4	331	14575-025
2	42	257	219	102.6	84.4	391	14575-027
2	84	471	432	102.6	84.4	271	14575-063
2	84	471	432	102.6	84.4	331	14575-065
2	84	471	432	102.6	84.4	391	14575-067
3	28	186	148	147.1	129.3	271	14575-103
3	28	186	148	147.1	129.3	331	14575-105
3	42	257	219	147.1	129.3	271	14575-123
3	42	257	219	147.1	129.3	331	14575-125
3	42	257	219	147.1	129.3	391	14575-127
3	63	364	326	147.1	129.3	271	14575-143
3	63	364	326	147.1	129.3	331	14575-145
3	63	364	326	147.1	129.3	391	14575-147
3	84	471	432	147.1	129.3	271	14575-163
3	84	471	432	147.1	129.3	331	14575-165
3	84	471	432	147.1	129.3	391	14575-167
3	84	471	432	147.1	129.3	451	14575-169
3	84	471	432	147.1	129.3	511	14575-171
4	42	257	219	191.6	173.8	271	14575-223
4	42	257	219	191.6	173.8	331	14575-225
4	63	364	326	191.6	173.8	271	14575-243
4	63	364	326	191.6	173.8	331	14575-245
4	63	364	326	191.6	173.8	391	14575-247
4	84	471	432	191.6	173.8	331	14575-265
4	84	471	432	191.6	173.8	391	14575-267
4	84	471	432	191.6	173.8	451	14575-269
4	84	471	432	191.6	173.8	511	14575-271



For more product information
visit us at www.schroff.us/oneclick
Type Order No. into oneClick and click "search"

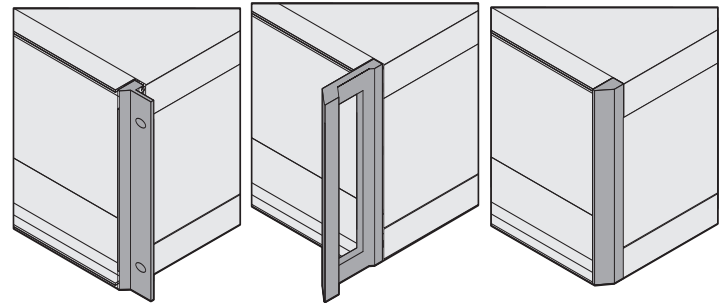
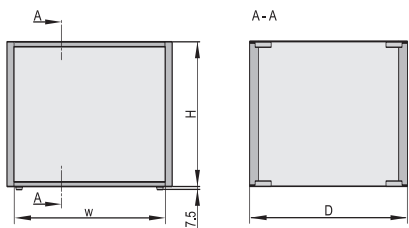
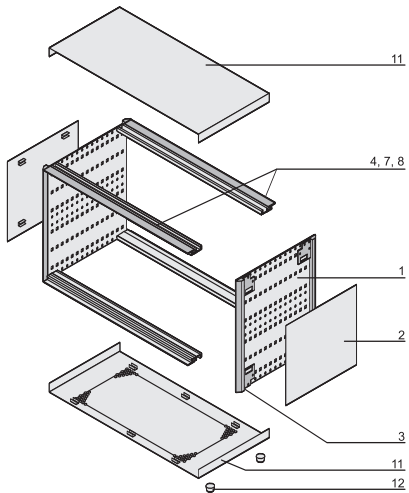
ratiopacPRO



Delivery includes (in kit form)

Item	Qty	Description
1	2	Side panel, Al passivated
2	2	Side trim, Al, visible surface powder coated, RAL 9006
3	2	Rear trim, Zn die-cast, powder coated, RAL 7016
3a	2	Front trim, Zn die-cast, powder coated, RAL 7016
3b	2	Front handle, Al die-cast, powder coated, RAL 7016
3c	2	19" mounting angle, Al die-cast, powder coated, RAL 7016
4	4	Horizontal rail, Al, visible surface powder coated, RAL 7016
11	2	Top cover and base cover, Al, internal surface conductive, visible surface powder coated, RAL 9006, with GND/earthing tag, base cover with vent slots
12	4	Case foot, PC, black, with anti-slip protection
13	1	Assembly kit

ratiopacPRO/ratiopacPRO/air



Width HP	Depth mm	2U		3U		4U		5U		6U	
		Order no.	Order no.	Order no.	Order no.	Order no.	Order no.	Order no.	Order no.		

side Panel Classification (1U-3U-1U) (3U-2U)

With Front Handle

84	255.5	-	24571-738	-	-	-	-	-	-	-
84	315.5	-	24571-741	24571-789	24572-252	24572-396	24571-837	-	-	-
84	375.5	-	24571-742	24571-790	24572-253	24572-397	24571-838	-	-	-
84	435.5	-	24571-743	24571-791	24572-254	24572-398	24571-839	-	-	-
84	495.5	-	24571-744	-	-	-	24571-840	-	-	-

With Bezel

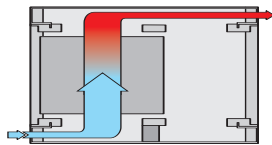
84	255.5	24572-530	24571-038	-	-	-	-	-	-	-
84	315.5	24572-533	24571-041	24571-089	24572-156	24572-300	24571-137	-	-	-
84	375.5	24572-534	24571-042	24571-090	24572-157	24572-301	24571-138	-	-	-
84	435.5	24572-535	24571-043	24571-091	24572-158	24572-302	24571-139	-	-	-
84	495.5	-	24571-044	-	-	-	24571-140	-	-	-

With 19" Mounting Bracket

84	255.5	24572-570	24571-738	24571-486	-	-	-	-	-	-
84	315.5	24572-573	24571-741	24571-489	-	-	24571-537	-	-	-
84	375.5	24572-574	24571-742	24571-490	24572-205	24572-349	24571-538	-	-	-
84	435.5	24572-575	24571-743	24571-491	24572-206	24572-350	24571-539	-	-	-
84	495.5	-	-	-	-	-	24571-540	-	-	-

RatiopacPro construction

- Available in three versions:
 - with bezel
 - with front handle
 - with 19" brackets



- EMC shielding upgrade available

- Symmetrical design, identical front and rear

For complete info on all specifications and accessories visit www.schroff.us

comptec



19" case 6-12U



- Perfect desktop "cabinet"
- Case to accommodate 19" equipment
- Height from 1U up to 12U
- Type of protection IP 20
- High stability
- Front and rear panel identical, depth-symmetrical assembly
- Factory assembled with protective GND/earthing connection
- Cover, base and rear panel made out of steel

Typical modifications:

- Special colors
- Customized cut-outs in rear panels, front panels, cover and base plates
- Special depths

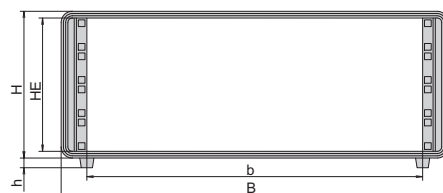
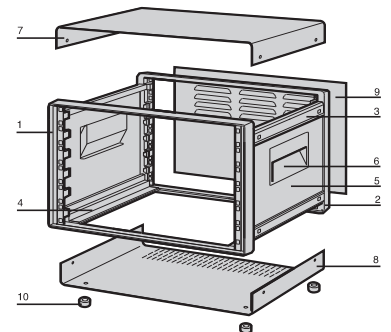
Delivery Comprises (kit)

Item	Qty	Description
1	1	Front frame
2	1	Rear Frame
3	2	Side profile at top
4	2	Side profile at bottom
5	2	Side panel, St
6	2	Handle shell
7	1	Cover
8	1	Base
9	1	Rear Panel
10	4	Case foot
11	1	Assembly kit

Ordering Information

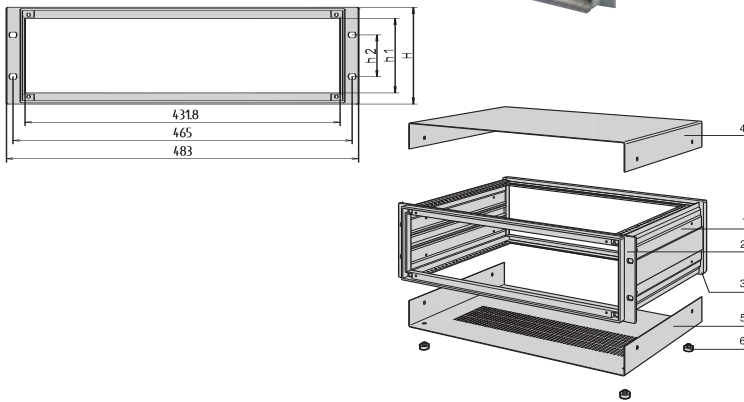
Height U	Height H mm	Height h mm	Depth D mm	Usable Depth d mm	Order no.
6	286	13	300	276	10225-604
6	286	13	400	376	10225-615
6	286	13	500	476	10225-626
6	286	13	600	576	10225-637
7	331	13	400	376	10225-616
7	331	13	500	476	10225-627
7	331	13	600	576	10225-638
9	420	13	400	376	10225-618
9	420	13	500	476	10225-629
9	420	13	600	576	10225-640
9	420	13	400	376	* 10225-667
9	420	13	500	476	* 10225-682
9	420	13	600	576	* 10225-693
12	553	13	400	376	* 10225-670
12	553	13	500	476	* 10225-685
12	553	13	600	576	* 10225-696

*All covers



For more product information
visit us at www.schroff.us/oneclick
Type Order No. into oneClick and click "search"

inpac



- Rugged 19" chassis with high mechanical stability
- Front and rear frame Al-diecast
- Modular design
- Easily accommodates electronic components

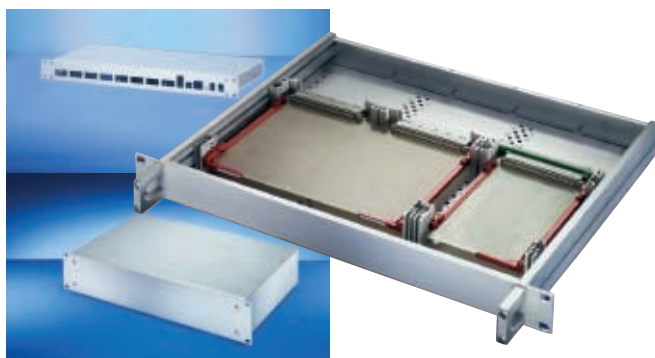
Delivery includes (kit)

Item	Qty	Description
1	2	Side panel, Al extrusion
2	1	Front frame, Al die-cast
3	1	Rear frame, Al die-cast
4	1	Cover, St
5	1	Base, St
6	4	Case foot
7	1	Assembly kit

Ordering Information

Height H	Height h	h1	h2	Depth D	Order no.	
U	mm	mm	mm	mm		
2	88	86	57.5	76.2	254.5	10828-071
2	88	86	57.5	76.2	314.5	10828-072
2	88	86	57.5	76.2	374.5	10828-073
3	132.5	130.5	102	57.15	254.5	10828-051
3	132.5	130.5	102	57.15	314.5	10828-052
3	132.5	130.5	102	57.15	374.5	10828-053
3	132.5	130.5	102	57.15	434.5	10828-054
4	177	174.5	146.5	101.6	254.5	10828-056
4	177	174.5	146.5	101.6	314.5	10828-057
4	177	174.5	146.5	101.6	374.5	10828-058
4	177	174.5	146.5	101.6	434.5	10828-059
6	265.9	263.5	235.4	190.5	374.5	10828-068
6	265.9	263.5	235.4	190.5	434.5	10828-069

multipacPRO



- 19" rackmount modular 1U & 2U cases
- Perfect alternative for "pizza box" applications for low volume requirements
- Sheet metal version for volume opportunities
- EMC option

Delivery includes (kit)

Item	Qty	Description
1	1	Front panel, Al extrusion, 2 mm, front anodized, rear etched (at 1U), colorless chromated front and rear side of front panel, from 2 U clear chromate
2	1	Base body plain, St, 1 mm, (AlZn coated)
3	1	Rear panel, St, 1 mm, (AlZn coated)
4	1	Cover, St, 1 mm, (AlZn coated)
7	1	Assembly kit

Ordering Information

Height U	Height mm	Depth mm	Order no.
1	43.7	220	20860-120
1	43.7	280	20860-121
1	43.7	340	20860-122
2	88.1	280	20860-126
2	88.1	340	20860-127

Front handles For 1 U, Al extrusion, anodized, U 2 pieces **20860-256**

Front handles For 2 U, Al extrusion, anodized, U 2 piece **20860-257**



We are where you are



www.schroff.us

Pentair Technical Products Groups

USA

Pentair Electronic Packaging
170 Commerce Drive
Warwick RI 02817
USA
Tel. +1 (401) 732-3770

14100 Danielson Street
Poway, CA 92064
Tel.: +1 (858) 679-4550
Fax: +1 (858) 679-4555
Toll free (888) 957-8291
www.schroff.us

EUROPE

Schroff GmbH
Langenalber Straße 96-100
75334 Straubenhardt
Deutschland
Tel. +49 (0)7082 794-0
www.schroff.de

Schroff UK Ltd.
Maylands Avenue
Hemel Hempstead
Herts HP2 7DE
Great Britain
Tel. +44 (0)1442 240 471
www.schroff.biz

Schroff SAS
Z.I. 4, rue du Marais
Boîte Postale 16
67660 Betschdorf
France
Tel. +33 (0)3 88 90 64 90
www.schroff.biz

Schroff Scandinavia AB
Flygfältsgatan 11
P.O. Box 2003
12821 Skarpnäck
Sweden
Tel. +46 (0) 8 683 61 00
www.schroff.se

Schroff Scandinavia AB
Peräsimentie 8
FIN-03100 Nummela
Finland
Tel. +358 9 222 68 00
www.schroff.fi

Schroff S.r.l.
Via Brughiera 1
20010 Pregnana Milanese (MI)
Italy
Tel. +39 02 932 714-1
www.schroff.biz

**Schroff GmbH/
Sp.z.o.o./-oddzial w Polsce**
ul. Marynarska 19A
PL-02-674 Warszawa
Poland
Tel. +48 (0) 22 607 06 16
www.schroff.pl

ASIA

Schroff K.K.
Nisso No.13 Bldg. 4F
2-5-1 Shinyokohama, Kohoku-ku
Yokohama-shi
Kanagawa 222-0033
Japan
Tel. +81 (0)45 476 02 81
www.schroff.co.jp

Pentair Technical Products China
Shuangyuan Rd. South, Liuting,
Chengyang District
(Airport Ind. Zone)
Qingdao, PC 266108
PR China
Tel. +86 532-8771 6101
www.schroff.biz

X-ON Electronics

Largest Supplier of Electrical and Electronic Components

Click to view similar products for [schroff](#) manufacturer:

Other Similar products are found below :

[24566-125](#) [14575271](#) [14576145](#) [14575265](#) [20117-156](#) [20817772](#) [20827088](#) [20846211](#) [20860229](#) [21100777](#) [23022602](#) [23130082](#) [24571331](#)
[24571586](#) [24572066](#) [24822075](#) [26230-374](#) [30817-001](#) [30825080](#) [20849021](#) [20860240](#) [23001021](#) [24560080](#) [24571303](#) [24572054](#)
[24572056](#) [30219-113](#) [20848-410](#) [20838-125](#) [20860-605](#) [10225-602](#) [10225-623](#) [10828058](#) [13100103](#) [13100123](#) [28230-439-C](#) [24563-457](#)
[24563-444](#) [20848-601](#) [21101-853](#) [24563-133](#) [24563-134](#) [24564-431](#) [24827-107](#) [24563-142](#) [24563-157](#) [24563-442](#) [A265HC-5.80EH](#) [24561-331](#) [10225640](#)