



# MAIN CATALOG

24TH EDITION



# Schroff® MAIN CATALOG

EQUIPMENT PROTECTION SOLUTIONS

24TH EDITION | OCTOBER 2012

06 Subracks / 19" chassis



SCHROFF GMBH, LANGENALBER STRASSE 96-100, D-75334 STRAUBENHARDT WWW.PENTAIREQUIPMENTPROTECTION.COM

39601-641 © 2012 Pentair Equipment Protection



## Subracks/19" chassis

### **europac PRO**

19" subrack with high flexibility  
in accordance with IEC 60297-3-103 and IEEE 1101.10/11

For different applications:

- Kits, individual configuration and an extensive accessory range
- Industrial applications
- Shock and vibration resistance up to 5 g, e.g. for mobile railway applications
- Shock and vibration resistance up to 25 g for rugged environments, e.g. mobile military applications



36106005 06109001 06108006 06112002 06112020

Overview ..... 0

Cabinets ..... 1

Wall mounted cases ..... 2

Accessories for cabinets and wall mounted cases 3

Climate control 4

Desk-top cases 5

**Subracks/ 19" chassis ... 6**

Front panels, plug-in units .. 7

Systems ..... 8

Power supply units ..... 9

Backplanes .. 10

Connectors, front panel component system ..... 11

Appendix .... 12

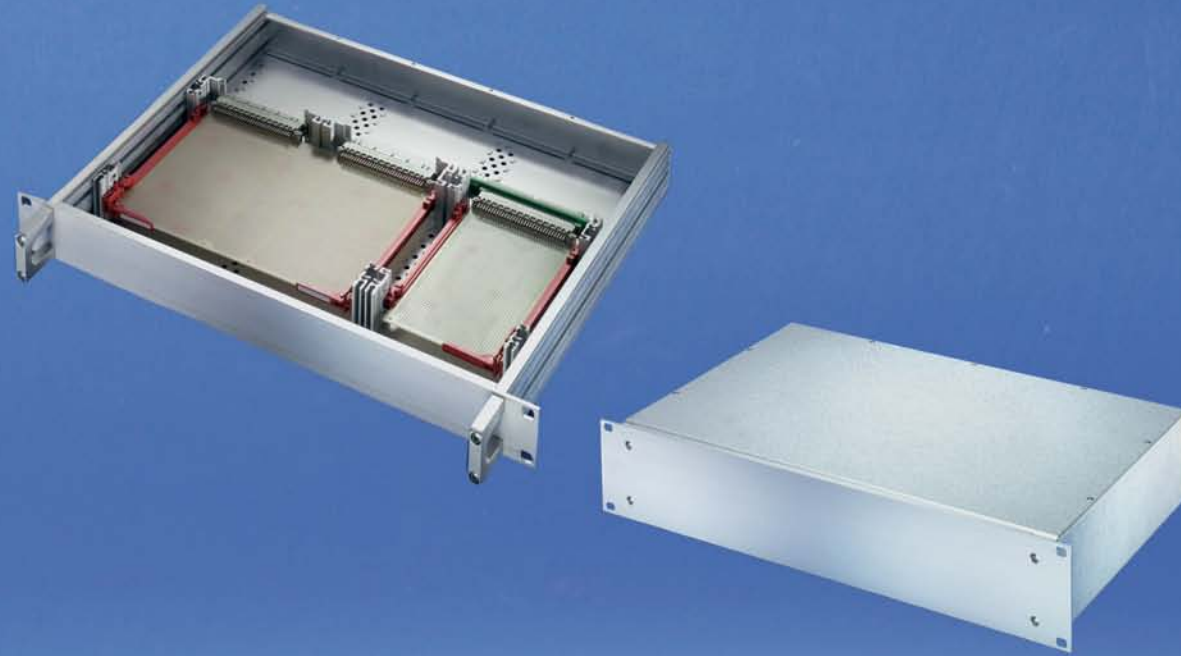
6.0

Main Catalogue  
E 10/2012

## Subracks/19" chassis

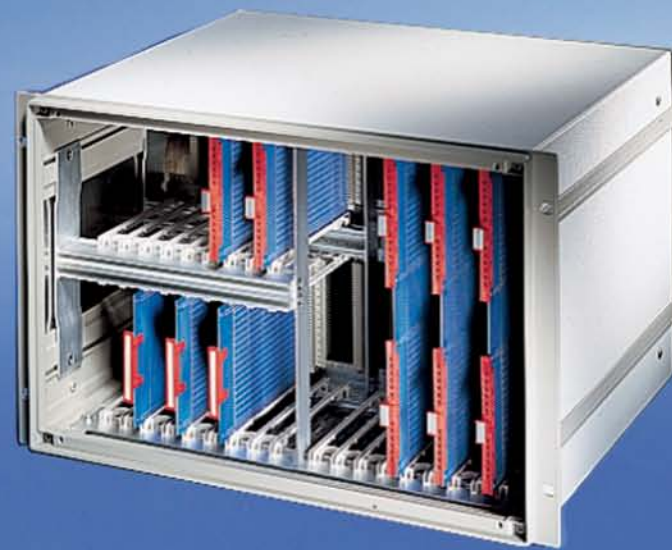
### ***multipacPRO***

19" chassis for non-standard components and horizontal board construction  
Versions in aluminium and steel plate (AlZn coated)  
Kits from stock or to individual configuration



### ***inpac***

19" chassis with high mechanical stability  
Flexible construction for standard board formats or individual solutions  
Can be used as a desk-top enclosure



Overview . . . . 6.0

europacPRO . . 6.2

multipac . . . . 6.112

inpac . . . . . 6.128

Application examples  
europacPRO . . 6.69  
Subracks for  
mobile railway  
applications . . 6.70  
multipac . . . . 6.112

Overview ..... 0

Cabinets ..... 1

Wall mounted cases ..... 2

Accessories for cabinets and wall mounted cases 3

Climate control 4

Desk-top cases 5

**Subracks/ 19" chassis ... 6**

Front panels, plug-in units .. 7

Systems ..... 8

Power supply units ..... 9

Backplanes .. 10

Connectors, front panel component system ..... 11

Appendix .... 12

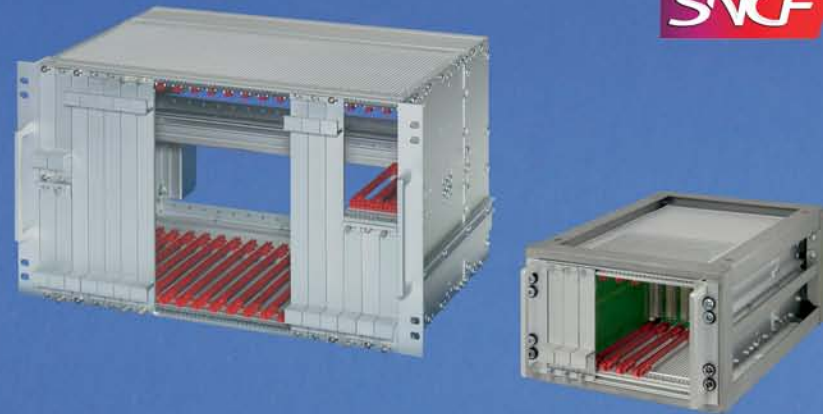
Subracks - **europacPRO**



- europacPRO standard**
- 19" subrack with high flexibility
  - EMC shielding upgradable
  - In accordance with IEC 60297-3-103 and IEEE 1101.10/11
  - Kit from stock or individual configuration

**europacPRO for mobile railway applications**

- Over and above the europacPRO standard range additional shock and vibration properties for up to 5 g in accordance with the standards:
  - IEC 61587-1, EN 50155
  - BN 411002 and BN 411003
  - NF F 61-005 / NF F 60-002



36112001 06109001 06103001 06108006



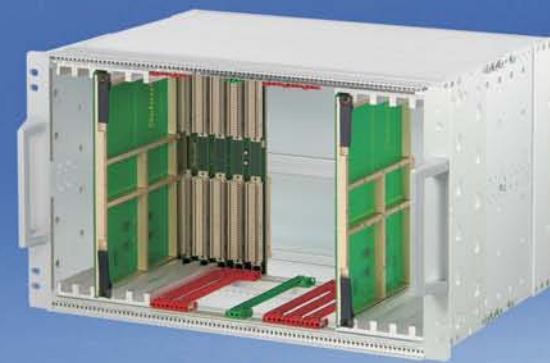
## europacPRO for industrial applications

- Over and above the europacPRO standard range additional kits for wall mounting or for installation of supply modules to DIN 43880



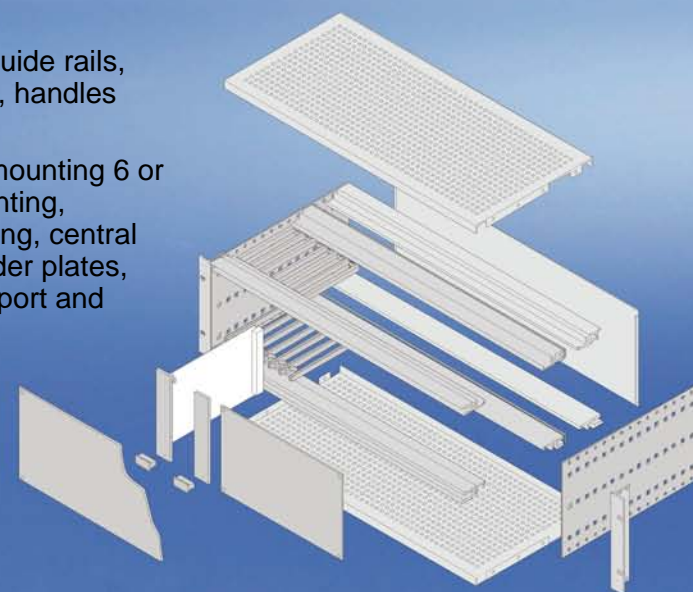
## europacPRO for rugged applications

- Over and above the europacPRO standard range additional shock and vibration properties for up to 25 g in accordance with the standards: MIL 167, IEC 61587 DL 3, MIL 810 G, MIL 901



## europacPRO accessories

- Extensive range of accessories for europacPRO products
- Side panels, horizontal rails, guide rails, cover plates, front/rear covers, handles and shielding components
- Interior assembly: combined mounting 6 or 2 x 3 U, horizontal board mounting, mounting plates, panel mounting, central locking, telescopic slides, divider plates, air deflectors, 19" module support and extensive fixing material kit



36112002 (01494031 06112002 06112001 06112020)

Overview ... 6.2

Introduction .. 6.4

europacPRO .. 6.6

Subracks for mobile railway applications .. 6.70

europacPRO for industrial applications .. 6.86

europacPRO for rugged applications .. 6.92

Accessories .. 6.17

# Subracks - *europacPRO* Introduction

## Platform-based standard solutions for individual requirements

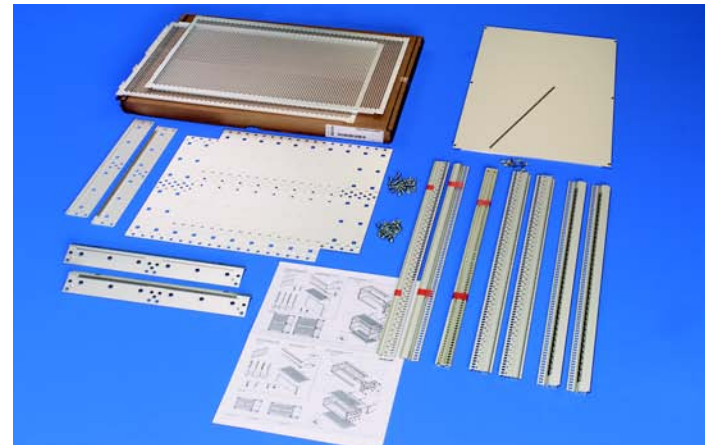
Practical technology without time-consuming assembly. The modular europacPRO product platform allows a wide range of possible applications with only a few components. The intelligent design of all components results in remarkably simple and fast management in assembly and components.

Two ways of reaching your desired product:

- Kits
- Individual configuration



### Simple assembly with europacPRO kits:



06107001

Delivered in space-saving flat packs. The threaded inserts or EMC gasket (depending on selected kit) are already pre-mounted on the horizontal rail.

### Individual configuration:

|          | Side panel type F                                                                                | 19" bracket without handle holes                                                                    | 19" bracket with handle holes                                                                                                                            | 19" bracket depth-adjustable                                                                                                                          | EMC sealing (SI, stainless)                          | Rear angle                                                                                                                              | Side panel connection                                                                   |
|----------|--------------------------------------------------------------------------------------------------|-----------------------------------------------------------------------------------------------------|----------------------------------------------------------------------------------------------------------------------------------------------------------|-------------------------------------------------------------------------------------------------------------------------------------------------------|------------------------------------------------------|-----------------------------------------------------------------------------------------------------------------------------------------|-----------------------------------------------------------------------------------------|
|          | without 19" bracket, Al, 2 mm, passivated please order 19" bracket and corner profile separately | with lateral grooves for EMC stainless steel gasket, Al extrusion, rear side etched, front anodized | with lateral grooves for EMC stainless steel gasket, Al extrusion, rear side etched, front anodized, please order front handle separately, see page 6.25 | 2 adaptor brackets, Al, 2 mm, equipment support rail, height 35 mm, width 84 mm, depth 17.5 mm; mounted laterally in module support or subrack; power | inserted laterally into the slots of the front panel | Al extrusion, surface clear passivated with lateral grooves for EMC stainless steel sealing; rear hood cannot be mounted simultaneously | Zn die-cast, front assembly kit, for fitting two by two side panels (above one another) |
| Height U |                                                                                                  | 1 piece                                                                                             | PU 1 pair                                                                                                                                                | PU 1 pair                                                                                                                                             | PU 10 pieces                                         | PU 1 pair                                                                                                                               | PU 4 pieces                                                                             |
| Depth mm |                                                                                                  |                                                                                                     |                                                                                                                                                          |                                                                                                                                                       |                                                      |                                                                                                                                         |                                                                                         |
| 3        | 175                                                                                              | 34560-183                                                                                           |                                                                                                                                                          |                                                                                                                                                       |                                                      |                                                                                                                                         |                                                                                         |
| 3        | 235                                                                                              | 34560-187                                                                                           |                                                                                                                                                          |                                                                                                                                                       |                                                      |                                                                                                                                         |                                                                                         |
| 3        | 275                                                                                              | 34579-300                                                                                           |                                                                                                                                                          |                                                                                                                                                       |                                                      |                                                                                                                                         |                                                                                         |
| 3        | 277.75                                                                                           | 34579-002                                                                                           | 24560-197                                                                                                                                                | 24560-198                                                                                                                                             | 24560-199                                            | 21101-705                                                                                                                               | 24561-198                                                                               |
| 3        | 295                                                                                              | 34560-189                                                                                           |                                                                                                                                                          |                                                                                                                                                       |                                                      |                                                                                                                                         | 21101-954                                                                               |
| 3        | 355                                                                                              | 34560-191                                                                                           |                                                                                                                                                          |                                                                                                                                                       |                                                      |                                                                                                                                         |                                                                                         |
| 3        | 415                                                                                              | 34560-193                                                                                           |                                                                                                                                                          |                                                                                                                                                       |                                                      |                                                                                                                                         |                                                                                         |
| 3        | 475                                                                                              | 34560-195                                                                                           |                                                                                                                                                          |                                                                                                                                                       |                                                      |                                                                                                                                         |                                                                                         |

06109052

You design your subrack as you wish, then receive it fully assembled via our **ServicePLUS assembly service** (even for orders of just one). We can also carry out individual modifications and cut-outs; and when time is short can do so very fast via ServicePLUS express.

## Horizontal rails and side panels for different load-carrying classes



Light

06197007

Heavy

06197008

Rugged

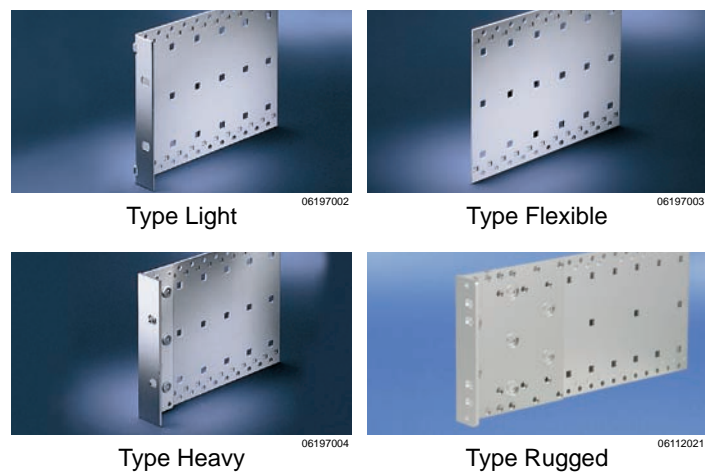
06112004

### Horizontal rails are available for three load classes:

- "light" (load up to approx. 7.5 kg)
- "heavy" (load > 7.5 kg)
- "rugged" (load 15 kg)

### Side panels for 4 different load classes

- Light: low-cost version with built-in 19" mounting bracket
- Flexible: with separate, depth-adjustable 19" mounting bracket
- Heavy: with integrated, tox-cold welded 19" mounting bracket, e.g. for shock and vibration environments up to 5 g
- Rugged: with integrated, tox-cold welded 19" mounting bracket and higher material thicknesses for extreme mechanical stresses, e.g. for increased shock and vibration environments up to 25 g
- The combination of the 3 horizontal rail variants with the 4 types of side panel results in an almost unlimited variety of potential applications for various market requirements



Type Light

06197002

Type Flexible

06197003

Type Heavy

06197004

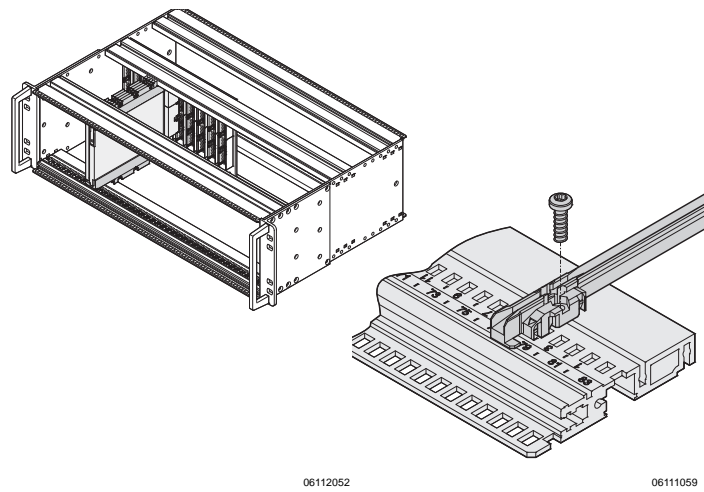
Type Rugged

06112021



## Subracks - *europacPRO* Introduction

### Guide rails from plastic and aluminium profiles



Guide rails form the interface between the subrack mechanics and the assemblies (boards, plug-in units, frame type plug-in units, drive unit modules, ...).

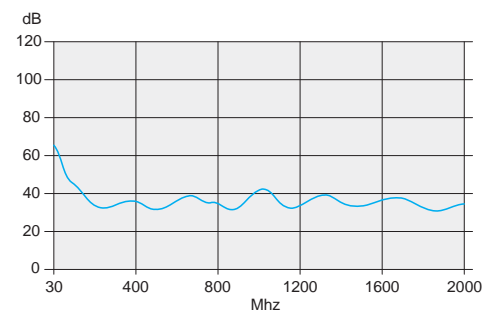
Robust snap-in fixings on the plastic rails assure a secure grip, even when exposed to vibrations. In the case of H and R-type horizontal rails the guide rails can also be bolted on. For extreme stresses, guide rails in aluminium extrusion are used.

To ensure that the wrong subassembly is not inserted into the wrong space we offer a mechanical coding to IEEE 1101.10/11 and IEC 60297-3-103.

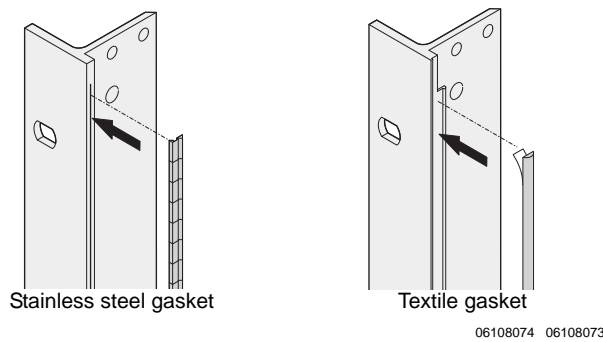
The continuous numbering on the horizontal rail (from 28 HP) and the markings on the guide rails facilitate quick fitting in the correct position.

We offer the appropriate adaptors for accommodating VPX or CompactPCI boards with strengthening frame or conduction-cooled assemblies (CCA) installed in a subrack.

### Electromagnetic shielding and ESD



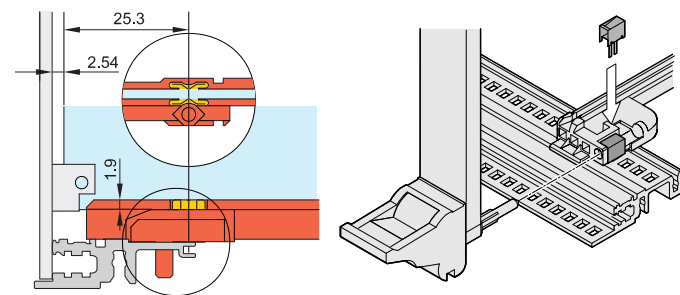
The product platform *europacPRO* offers a variety of off-the-shelf solutions to assure electromagnetic compatibility (EMC) and to avoid electrostatic discharge (ESD).



#### Two shielding concepts It can't be more secure!

Two types of shielding concepts to front/rear of the subrack allow the use all Schroff frontpanels.

The shielding at the front of the subrack is by means of stainless steel or textile EMC gaskets.



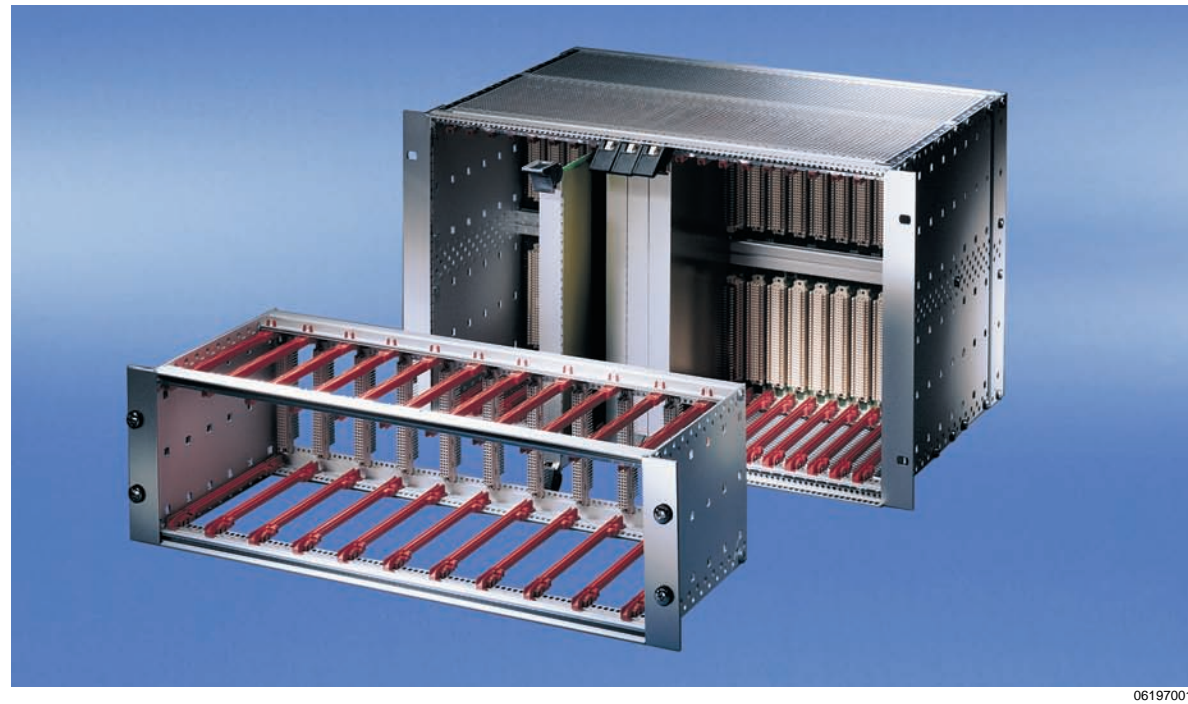
#### ESD (electrostatic discharge)

To avoid electrostatic discharge when inserting PCBs, ESD contacts are clipped into the guide rails. These establish a conductive connection between PCB and subrack-earth. Under IEC 60297-3-101 two ESD areas are defined on the euroboard. The ESD clips of the guide rail of the *europacPRO* subrack allow the assembly of both following variants:

- ESD area (bottom and top) over the complete board length
- ESD area (bottom/top) begins at the front from 70 mm to end of board)

- Overview ..... 0
- Cabinets ..... 1
- Wall mounted cases ..... 2
- Accessories for cabinets and wall mounted cases 3
- Climate control 4
- Desk-top cases 5
- Subracks/ 19" chassis ... 6**
- Front panels, plug-in units .. 7
- Systems ..... 8
- Power supply units ..... 9
- Backplanes .. 10
- Connectors, front panel component system ..... 11
- Appendix .... 12

## Subracks - *europac PRO*



06197001



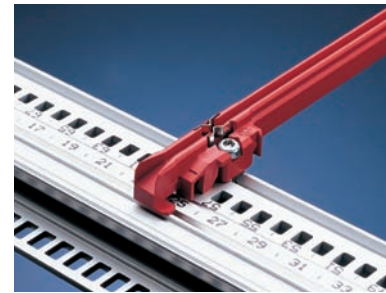
06112014

Different horizontal rails for various applications



04602002

The IEEE handles and shielded front panels are designed for the construction of CompactPCI and VME64x subrack systems



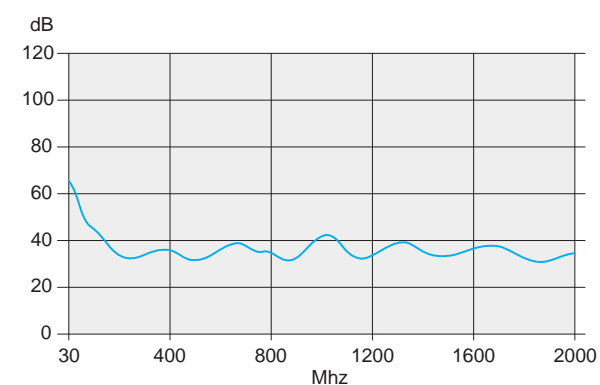
06

Sequential numbering on horizontal rails (> 28 HP) and markings on the guide rails provide quick optical positioning aids. ESD clips can be used at front or rear, to protect electronics from electrostatic discharge

### Standards/certifications

- Inner and outer dimensions meet:  
IEC 60297-3-100, -101, -102, -103, -104, -105  
IEEE 1101.1 and IEEE 1101.10/11
- Type of protection IP 20 to IEC 60529
- EMC testing to IEC 61587-3
- Shock and vibration test reports:  
German "Bahn" standards BN 411002, BN 411003;  
NF F 60002, NF F 67012  
IEC 61587-2, EN 50155
- Nuclear plants KTA 1401

### EMC curve



06108081

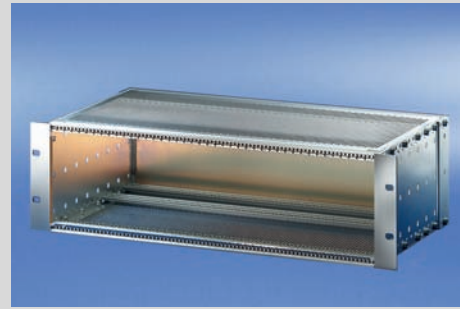


Downloads and further important information can be found on the Internet under [www.schroff.biz](http://www.schroff.biz)



**19" subracks**

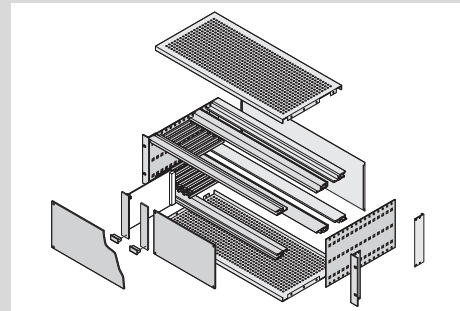
- Kits or individual configuration
- One product and accessories platform for every kind of customer requirement and application
- Suitable for CompactPCI and VME64x insertion and extractor handles
- EMC shielding can easily be retrofitted if needed
- Shock and vibration resistant up to 5 g
- 3D PDF or CAD 3D data available for download



06102008

**Kits**

- All required parts available under one order number, some pre-fitted
- Most popular dimensions and versions available from stock
- For installed loads up to 7.5 kg, up to 11 kg and up to 15 kg
- As unshielded or shielded version
- Supplied as space-saving flat-pack



06105058

**ServicePLUS individual configuration**

- Single parts may individually be configured, respectively assembled on request (from quantity 1)
- Very wide range of variants in height, width and depth
- Guide rails for different applications
- EMC shielding material to improve EMC performance
- Interior assembly options with mounting plate or combined mounting (3 + 6 U segments)
- Other accessories and assembly kits



30407004

**ServicePLUS from page 6.16**

- e.g. individual configuration and assembly
- e.g. modification (cut-outs)
- e.g. downloads (CAD drawings, user manuals, test reports)
- e.g. custom solutions

[www.schroff.biz/ServicePLUS](http://www.schroff.biz/ServicePLUS)

Overview ... 6.6

Introduction .. 6.4

**Kits**

- Light ..... 6.8
- Flexible ..... 6.9
- Heavy ..... 6.12
- CompactPCI .... 6.14

ServicePLUS .. 6.16

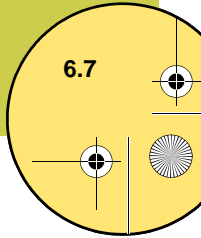
**ServicePLUS configuration**

- Side panels .... 6.19
- Horizontal rails, threaded inserts, perforated strips 6.27
- Guide rails ..... 6.35
- Cover plates .... 6.42
- EMC shielding .. 6.52
- Interior assemblies ..... 6.57
- Assembly kits ... 6.63
- Application examples ..... 6.69

Subracks for mobile railway applications .. 6.70

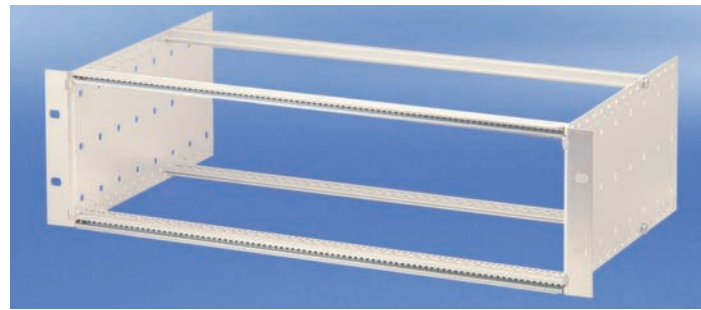
europacPRO for industrial applications .. 6.86

europacPRO for rugged applications .. 6.92



# Subracks - *europac PRO*

Kit, "light", unshielded,  
for backplane mounting



- Subrack with side panel type L ("light") with firmly fixed 19" brackets
- Rear horizontal rails for backplane mounting with insulation strip
- Installed load up to 7.5 kg
- Cost-optimised

**NEW**

**Delivery comprises (Kit)**

| Item | Qty | Description |                                                                            |
|------|-----|-------------|----------------------------------------------------------------------------|
| 3 U  |     | 6 U         |                                                                            |
| 1    | 2   | 2           | Side panel type L, Al, 2 mm, passivated, with built-in 19" support bracket |
| 2a   | 2   | 2           | Front horizontal rail (L-KD)                                               |
| 2b   | 2   | 2           | Rear horizontal rail (L-ST)                                                |
| 2c   | -   | 1           | Rear horizontal rail centre (ST)                                           |
| 3    | 4   | 6           | Threaded insert, front and rear (pre-fitted)                               |
| 4    | 2   | 4           | Insulation strip (pre-fitted)                                              |
| 5    | 1   | 1           | Fixing material kit, user manual                                           |

**Order Information**

| Height U | Width HP | Depth D mm | Depth D1 mm | Part no.  |
|----------|----------|------------|-------------|-----------|
| 3        | 84       | 175        | 175         | 24564-131 |
| 3        | 84       | 235        | 175/235     | 24564-132 |
| 3        | 84       | 295        | 175/235/295 | 24564-133 |
| 6        | 84       | 175        | 175         | 24564-431 |
| 6        | 84       | 235        | 175/235     | 24564-432 |
| 6        | 84       | 295        | 175/235/295 | 24564-433 |

**Accessories**

**19" assembly kit (screw, washer, nut)** (8 x screws, 8 x plastic washers, 8 x cage nuts) 21100-435

**Guide rails (standard), ESD clips**

| Depth D2 mm | Qty/PU piece | Part no.  |
|-------------|--------------|-----------|
| 160         | 10           | 24560-351 |
| 220         | 10           | 24560-353 |
| 280         | 10           | 24560-379 |

**ESD clips for guide rails PU 50 pieces** 24560-255

**Cover plates for insertion in horizontal rails (type L)**

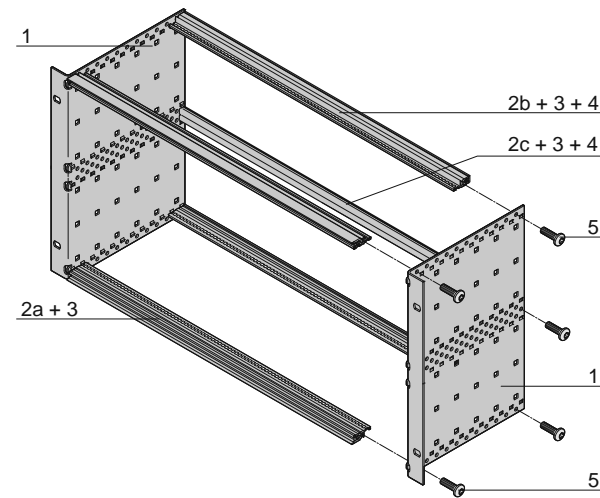
| Depth D2 mm | Width HP | Qty/PU piece | Part no.  |
|-------------|----------|--------------|-----------|
| 160         | 84       | 2            | 24561-051 |
| 220         | 84       | 2            | 24561-052 |

**Note**

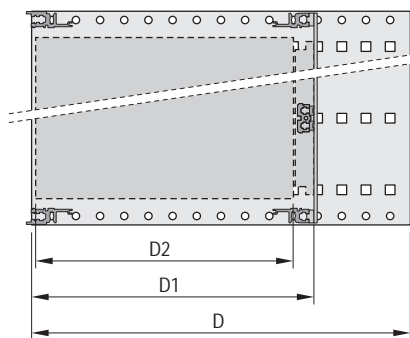
- Subrack is not prepared for shielding
- ServicePLUS configuration from page 6.16



For further information [www.schroff.biz/oneclick](http://www.schroff.biz/oneclick)  
oneClick search code = Part no.



6 U



D = overall depth, D1 = insertion depth,  
D2 = board depth = D1 - 15 mm



Rear horizontal rail for backplane mounting with insulation strip



ServicePLUS see page 6.16

6.8

Main Catalogue  
E 10/2012

Part number in bold face type: ready for despatch within 2 working days  
Part number in normal type: ready for despatch within 10 working days



# Subracks - *europac PRO*

Kit, "flexible", unshielded,  
for connector mounting

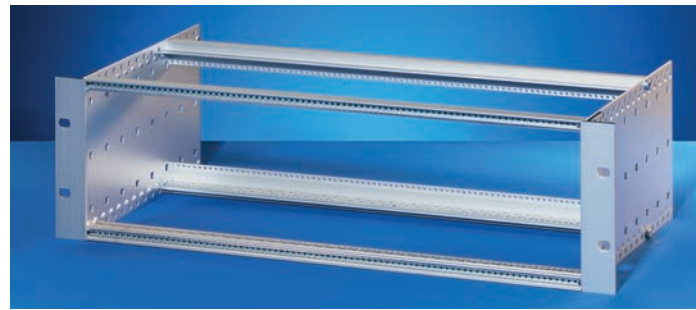


Photo: 3 U subrack

- Subrack with side panel type F ("flexible"), 19" bracket is depth-adjustable
- Rear horizontal rails for connector mounting (IEC 60603-2 / DIN 41612)
- Installed load up to 11 kg

**Delivery comprises (kit)**

| Item | Qty | Description |                                                                   |
|------|-----|-------------|-------------------------------------------------------------------|
| 3 U  |     | 6 U         |                                                                   |
| 1    | 2   | 2           | 19" support bracket, Al extrusion, for EMC gasket (St, stainless) |
| 2    | 2   | 2           | Side panel type F, Al, 2 mm                                       |
| 3a   | 2   | 2           | Front horizontal rail (L-KD)                                      |
| 3b   | 2   | 2           | Rear horizontal rail (L-MZ) for connector mounting                |
| 3c   | -   | 1           | Centre horizontal rail (MZ)                                       |
| 4    | 2   | 2           | Threaded insert to front (pre-fitted)                             |
| 5    | 1   | 1           | Fixing material kit, user manual                                  |

**Order Information**

| Height U | Width HP | Depth D mm | Depth D1 mm     | Part no.  |
|----------|----------|------------|-----------------|-----------|
| 3        | 84       | 175        | 175             | 24563-191 |
| 3        | 84       | 235        | 175/235         | 24563-192 |
| 3        | 84       | 295        | 175/235/295     | 24563-193 |
| 3        | 84       | 355        | 175/235/295/355 | 24563-194 |
| 6        | 84       | 175        | 175             | 24563-491 |
| 6        | 84       | 235        | 175/235         | 24563-492 |
| 6        | 84       | 295        | 175/235/295     | 24563-493 |
| 6        | 84       | 355        | 175/235/295/340 | 24563-494 |

**Accessories**

|                                                                                        |           |
|----------------------------------------------------------------------------------------|-----------|
| 19" assembly kit (screw, washer, nut) (8 x screws, 8 x plastic washers, 8 x cage nuts) | 21100-435 |
|----------------------------------------------------------------------------------------|-----------|

**Guide rails (standard), ESD clips**

| Depth D2 mm | Qty/PU piece | Part no.  |
|-------------|--------------|-----------|
| 160         | 10           | 24560-351 |
| 220         | 10           | 24560-353 |
| 280         | 10           | 24560-379 |
| 340         | 10           | 24560-380 |

**ESD clip for guide rails PU 50 pieces**

|           |
|-----------|
| 24560-255 |
|-----------|

**Cover plates for insertion in horizontal rails (type L)**

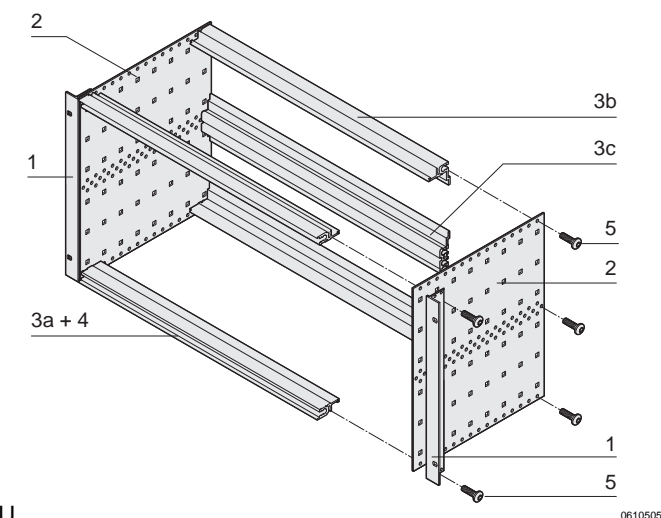
| Depth D2 mm | Width HP | Qty/PU piece | Part no.  |
|-------------|----------|--------------|-----------|
| 160         | 84       | 2            | 24561-051 |
| 220         | 84       | 2            | 24561-052 |

**Note**

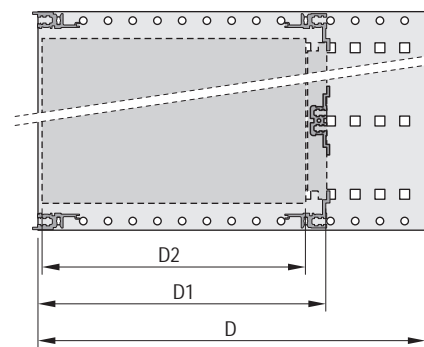
- ServicePLUS configuration from page 6.16



For further information [www.schroff.biz/oneclick](http://www.schroff.biz/oneclick)  
oneClick search code = Part no.



6 U



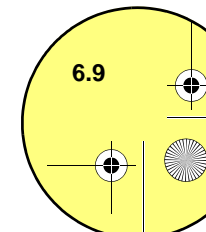
D = overall depth, D1 = insertion depth,  
D2 = board depth = D1 - 15 mm



Horizontal rail to rear for connector mounting

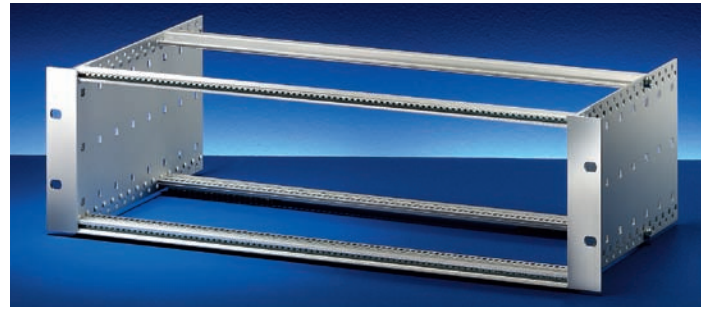


ServicePLUS see page 6.16



# Subracks - *europac PRO*

Kit, "flexible", unshielded, for backplane mounting



- Subrack with side panel type F ("flexible"), 19" bracket is depth-adjustable
- Rear horizontal rail for backplane mounting with insulation strip
- Installed load up to 11 kg

**Delivery comprises (kit)**

| Item | Qty | Description |                                                                   |
|------|-----|-------------|-------------------------------------------------------------------|
| 3 U  |     | 6 U         |                                                                   |
| 1    | 2   | 2           | 19" support bracket, Al extrusion, for EMC stainless steel gasket |
| 2    | 2   | 2           | Side panel type F, Al, 2 mm                                       |
| 3a   | 2   | 2           | Front horizontal rail (L-KD)                                      |
| 3b   | 2   | 2           | Rear horizontal rail (L-ST) for backplane mounting                |
| 3c   | -   | 1           | Rear horizontal rail centre (ST)                                  |
| 4    | 4   | 6           | Threaded insert, front and rear (pre-fitted)                      |
| 5    | 2   | 4           | Insulation strip (pre-fitted)                                     |
| 6    | 1   | 1           | Fixing material kit, user manual                                  |

**Order Information**

| Height U | Width HP | Depth D mm | Depth D1 mm     | Part no.  |
|----------|----------|------------|-----------------|-----------|
| 3        | 84       | 175        | 175             | 24563-131 |
| 3        | 84       | 235        | 175/235         | 24563-132 |
| 3        | 84       | 295        | 175/235/295     | 24563-133 |
| 3        | 84       | 355        | 175/235/295/355 | 24563-134 |
| 3        | 84       | 415        | 175/235/295/355 | 24563-135 |
| 3        | 84       | 475        | 175/235/295/355 | 24563-136 |
| 6        | 84       | 175        | 175             | 24563-431 |
| 6        | 84       | 235        | 175/235         | 24563-432 |
| 6        | 84       | 295        | 175/235/295     | 24563-433 |
| 6        | 84       | 355        | 175/235/295/355 | 24563-434 |
| 6        | 84       | 415        | 175/235/295/355 | 24563-435 |
| 6        | 84       | 475        | 175/235/295/355 | 24563-436 |

**Accessories**

**19" assembly kit (screw, washer, nut)** (8 x screws, 8 x plastic washers, 8 x cage nuts) 21100-435

**Guide rails (standard), ESD clips**

| Depth D2 mm | Qty/PU piece | Part no.  |
|-------------|--------------|-----------|
| 160         | 10           | 24560-351 |
| 220         | 10           | 24560-353 |
| 280         | 10           | 24560-379 |
| 340         | 10           | 24560-380 |

**ESD clip for guide rails PU 50 pieces** 24560-255

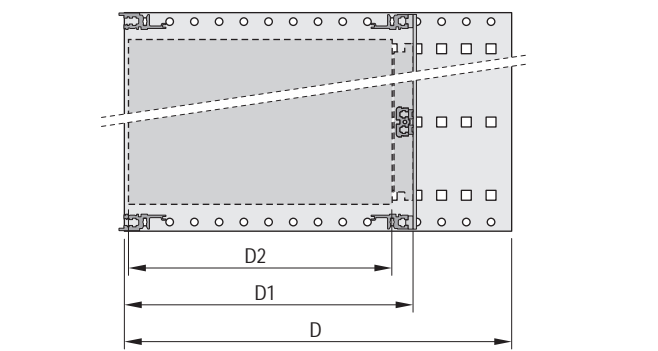
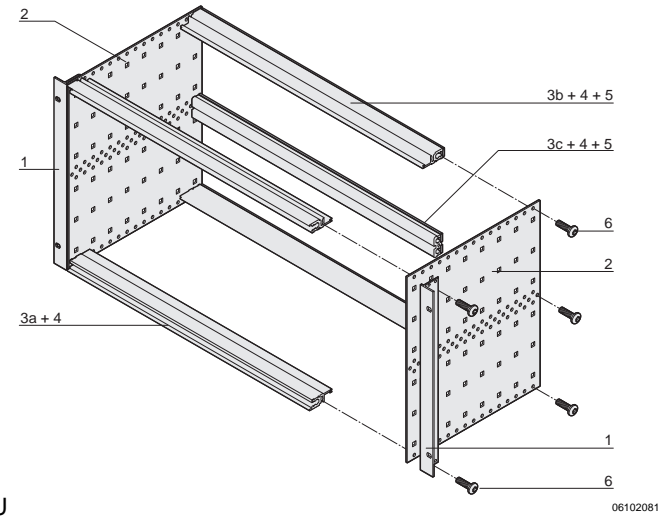
**Cover plates for insertion in horizontal rails (type L)**

| Depth D2 mm | Width HP | Qty/PU piece | Part no.  |
|-------------|----------|--------------|-----------|
| 160         | 84       | 2            | 24561-051 |
| 220         | 84       | 2            | 24561-052 |

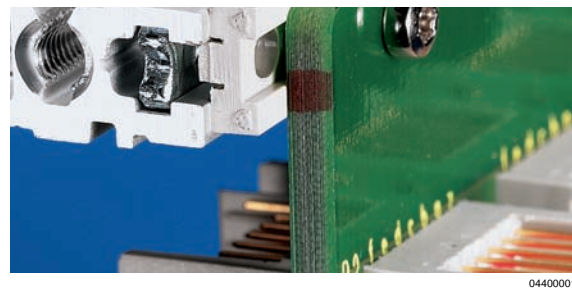
**Note**

- ServicePLUS configuration from page 6.16

**For further information [www.schroff.biz/oneclick](http://www.schroff.biz/oneclick)**  
oneClick search code = Part no.



D = overall depth, D1 = insertion depth, D2 = board depth = D1 - 15 mm



Rear horizontal rail for backplane mounting with insulation strip

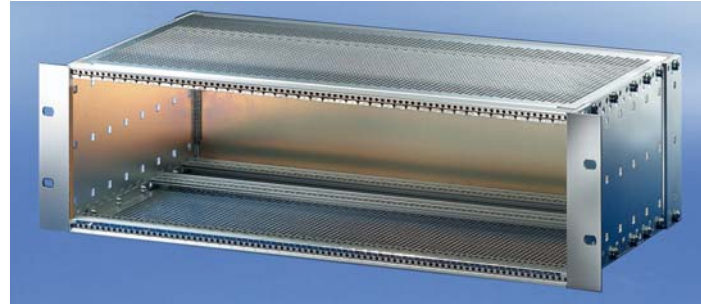


ServicePLUS see page 6.16



## Subracks - *europac PRO*

Kit, "flexible", shielded,  
for backplane mounting

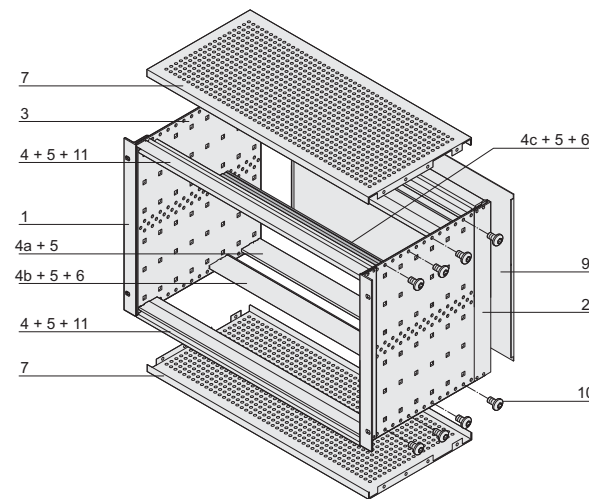


06102008

- Subrack with side panel type F ("flexible"), 19" bracket is depth-adjustable
- Rear horizontal rail for backplane mounting with insulation strip
- Shielding typically 40 dB at 1 GHz, 30 dB at 2 GHz, assuming that the front is closed with shielded front panels
- Installed load up to 11 kg

### Delivery comprises ((kit))

| Item | Qty |     | Description                                                              |
|------|-----|-----|--------------------------------------------------------------------------|
|      | 3 U | 6 U |                                                                          |
| 1    | 2   | 2   | 19" support bracket for <b>EMC textile gasket</b>                        |
| 2    | 2   | 2   | Rear corner profile for <b>EMC textile gasket</b>                        |
| 3    | 2   | 2   | Side panel type F                                                        |
| 4    | 2   | 2   | Front horizontal rail (L-KD)                                             |
| 4 a  | 2   | 2   | Rear horizontal rail (L-KD)                                              |
| 4 b  | 2   | 2   | Rear horizontal rail (L-ST) for backplane mounting with insulation strip |
| 4 c  | -   | 1   | Centre horizontal rail (ST)                                              |
| 5    | 6   | 8   | Threaded insert (pre-fitted)                                             |
| 6    | 2   | 4   | Insulation strip, fixed                                                  |
| 7    | 2   | 2   | EMC cover plate                                                          |
| 8    | 1   | 1   | EMC gasketing material (pre-fitted)                                      |
| 9    | 1   | 1   | Rear panel                                                               |
| 10   | 1   | 1   | Fixing material kit                                                      |
| 11   | 2   | 2   | Perforated strip (pre-fitted)                                            |
| 12   | 1   | 1   | User manual                                                              |



06102075

### Order Information

| Height U | Width HP | Depth D mm | Depth D1 mm | Part no.  |
|----------|----------|------------|-------------|-----------|
| 3        | 84       | 235        | 175/235     | 24563-142 |
| 3        | 84       | 295        | 175/235/295 | 24563-143 |
| 3        | 84       | 355        | 175/235/295 | 24563-144 |
| 3        | 84       | 415        | 175/235/295 | 24563-145 |
| 3        | 84       | 475        | 175/235/295 | 24563-146 |
| 6        | 84       | 235        | 175/235     | 24563-442 |
| 6        | 84       | 295        | 175/235/295 | 24563-443 |
| 6        | 84       | 355        | 175/235/295 | 24563-444 |
| 6        | 84       | 415        | 175/235/295 | 24563-445 |
| 6        | 84       | 475        | 175/235/295 | 24563-446 |

### Accessories

**19" assembly kit (screw, washer, nut)** ( 8 x screws, 8 x plastic washers, 8 x cage nuts) 21100-435

### Guide rails (standard), ESD clips

| Depth D2 mm                                  | Qty/PU piece | Part no.  |
|----------------------------------------------|--------------|-----------|
| 160                                          | 10           | 24560-351 |
| 220                                          | 10           | 24560-353 |
| 280                                          | 10           | 24560-379 |
| 340                                          | 10           | 24560-380 |
| <b>ESD clip for guide rails PU 50 pieces</b> |              | 24560-255 |

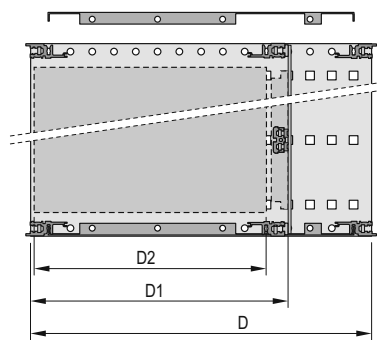
### Note

- ServicePLUS configuration from page 6.16



For further information [www.schroff.biz/oneclick](http://www.schroff.biz/oneclick)  
oneClick search code = Part no.

6 U



06113056

D = overall depth, D1 = insertion depth,  
D2 = board depth = D1 - 15 mm



04400001

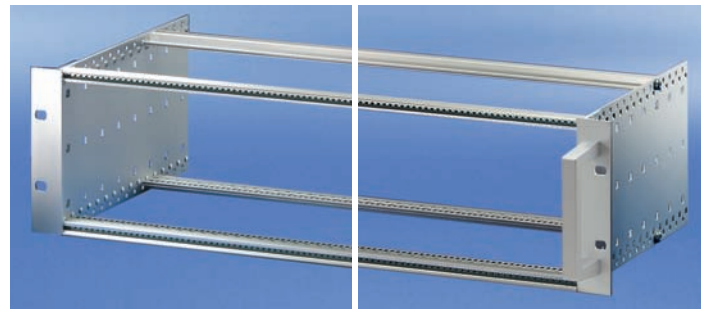
Rear horizontal rail for backplane mounting with insulation strip



ServicePLUS see page 6.16

# Subracks - *europac PRO*

Kit, 'heavy', unshielded,  
for backplane mounting



- Subrack with side panel type H ("heavy"), 19" bracket is firmly fixed to side panel (tox-cold welded)
- Rear horizontal rail for backplane mounting with insulation strip
- Shock and vibration resistance up to 5 g
- Installed load up to 15 kg
- Versions with/without front handles

**NEW**

### Delivery comprises (Kit)

| Item | Qty | Description |                                                                                                            |
|------|-----|-------------|------------------------------------------------------------------------------------------------------------|
| 3 U  |     | 6 U         |                                                                                                            |
| 1    | 2   | 2           | Side panel type H, Al, 2 mm, passivated, with 19" support bracket (tox-cold welded) for textile EMC gasket |
| 2a   | 2   | 2           | Front horizontal rail (H-KD)                                                                               |
| 2b   | 2   | 2           | Rear horizontal rail (H-ST)                                                                                |
| 2c   | -   | 1           | Rear horizontal rail centre (H-ST)                                                                         |
| 3    | 4   | 6           | Threaded insert, front and rear (pre-fitted)                                                               |
| 4    | 2   | 4           | Insulation strip (pre-fitted)                                                                              |
| 5    | 1   | 1           | Fixing material kit, user manual                                                                           |
| 6    | 2   | 2           | Front handle (on version with front handle only)                                                           |

### Order Information

| Height U | Width HP | Depth D mm | Depth D1 mm     | Part no. with front handle | Part no. without front handle |
|----------|----------|------------|-----------------|----------------------------|-------------------------------|
| 3        | 84       | 175        | 175             | 24567-161                  | 24563-161                     |
| 3        | 84       | 235        | 175/235         | 24567-162                  | 24563-162                     |
| 3        | 84       | 295        | 175/235/295     | 24567-163                  | 24563-163                     |
| 3        | 84       | 355        | 175/235/295/355 | 24567-164                  | 24563-164                     |
| 6        | 84       | 175        | 175             | 24567-461                  | 24563-461                     |
| 6        | 84       | 235        | 175/235         | 24567-462                  | 24563-462                     |
| 6        | 84       | 295        | 175/235/295     | 24567-463                  | 24563-463                     |
| 6        | 84       | 355        | 175/235/295/355 | 24567-464                  | 24563-464                     |

### Accessories

**19" assembly kit (screw, washer, nut)** (8 x screws, 8 x plastic washers, 8 x cage nuts) 21100-435

### Guide rails (standard), ESD clips

| Depth D2 mm | Qty/PU piece | Part no.  |
|-------------|--------------|-----------|
| 160         | 10           | 24560-351 |
| 220         | 10           | 24560-353 |
| 280         | 10           | 24560-379 |
| 340         | 10           | 24560-380 |

**ESD clip for guide rails** PU 50 pieces 24560-255

**Torx panhead screw**, for extra bolting of the guide rails, 2.5 x 9.3, zinc-plated, PU 100 pieces; torque max. 0.2 Nm 24560-141

### Cover plates for bolting to side panel

| Depth D2 mm | Width HP | Qty/PU piece | Part no.  |
|-------------|----------|--------------|-----------|
| 160         | 84       | 2            | 24560-078 |
| 220         | 84       | 2            | 24560-079 |
| 280         | 84       | 2            | 24560-080 |
| 340         | 84       | 2            | 24560-081 |

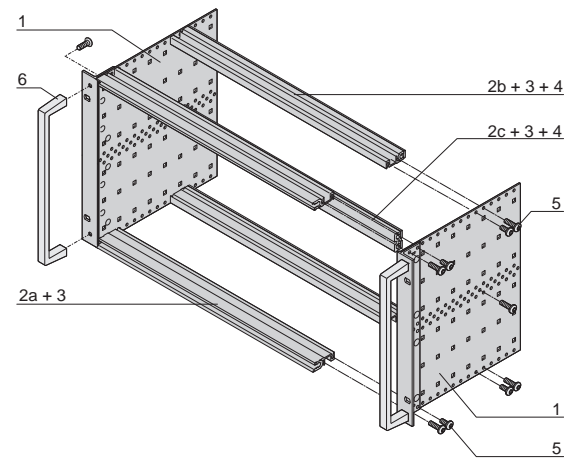
### Note

- ServicePLUS configuration from page 6.16

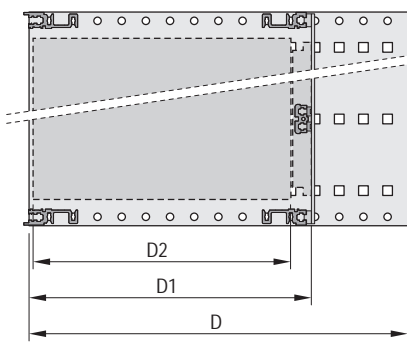
Part number in bold face type: ready for despatch within 2 working days  
Part number in normal type: ready for despatch within 10 working days

Without front handle

With front handle



6 U



D = overall depth, D1 = insertion depth, D2 = board depth



Rear horizontal rail for backplane mounting with insulation strip

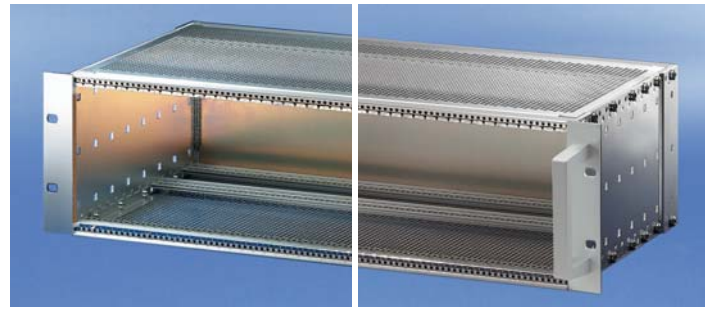


ServicePLUS see page 6.16



## Subracks - *europac PRO*

Kit, "heavy", shielded,  
for backplane mounting

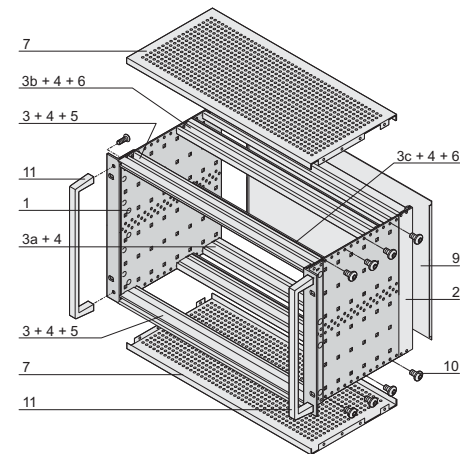


- Subrack with side panel type H ("heavy"), 19" bracket is firmly fixed to side panel (tox-cold welded)
- Rear horizontal rail for backplane mounting with insulation strip
- Shielding typically 40 dB at 1 GHz, 30 dB at 2 GHz, assuming that the front is closed with sealed front panels
- Shock and vibration resistance up to 5 g
- Installed load up to 15 kg
- Versions with/without front handles

**NEW**

### Delivery comprises (Kit)

| Item | Qty        | Description |                                                                                                             |
|------|------------|-------------|-------------------------------------------------------------------------------------------------------------|
|      | <b>3 U</b> | <b>6 U</b>  |                                                                                                             |
| 1    | 2          | 2           | Side panel type H, Al, 2 mm, passivated, with 19" support bracket (tox-cold welded); for textile EMC gasket |
| 2    | 2          | 2           | Rear corner profile for textile EMC gasket                                                                  |
| 3    | 2          | 2           | Front horizontal rail (H-KD)                                                                                |
| 3 a  | 2          | 2           | Rear horizontal rail (H-KD)                                                                                 |
| 3 b  | 2          | 2           | Rear horizontal rail (H-ST)                                                                                 |
| 3 c  | -          | 1           | Rear horizontal rail centre (ST)                                                                            |
| 4    | 6          | 8           | Threaded insert (pre-fitted)                                                                                |
| 5    | 2          | 2           | Perforated strip (pre-fitted)                                                                               |
| 6    | 2          | 4           | Insulation strip (pre-fitted)                                                                               |
| 7    | 2          | 2           | EMC cover plate                                                                                             |
| 8    | 1          | 1           | EMC gasketing material (pre-fitted)                                                                         |
| 9    | 1          | 1           | EMC rear panel                                                                                              |
| 10   | 1          | 1           | Fixing material kit, user manual                                                                            |
| 11   | 2          | 2           | Front handle (on version with front handle only)                                                            |



0611058

### Order Information

| Height U | Width HP | Depth D mm | Depth D1 mm | Part no. with front handle | Part no. without front handle |
|----------|----------|------------|-------------|----------------------------|-------------------------------|
| 3        | 84       | 235        | 175/235     | 24567-172                  | 24563-172                     |
| 3        | 84       | 295        | 175/235/295 | 24567-173                  | 24563-173                     |
| 3        | 84       | 355        | 175/235/295 | 24567-174                  | 24563-174                     |
| 6        | 84       | 235        | 175/235     | 24567-472                  | 24563-472                     |
| 6        | 84       | 295        | 175/235/295 | 24567-473                  | 24563-473                     |
| 6        | 84       | 355        | 175/235/295 | 24567-474                  | 24563-474                     |

06113055

### Accessories

|                                                                                               |           |
|-----------------------------------------------------------------------------------------------|-----------|
| <b>19" assembly kit (screw, washer, nut)</b> (8 x screws, 8 x plastic washers, 8 x cage nuts) | 21100-435 |
|-----------------------------------------------------------------------------------------------|-----------|

### Guide rails (standard), ESD clips

| Depth D2 mm | Qty/PU piece | Part no.  |
|-------------|--------------|-----------|
| 160         | 10           | 24560-351 |
| 220         | 10           | 24560-353 |
| 280         | 10           | 24560-379 |

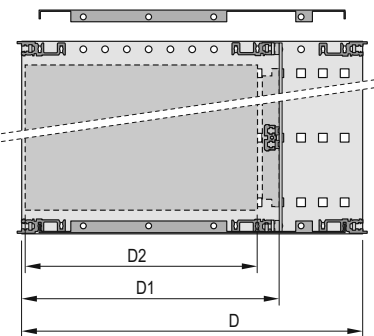
**ESD clip for guide rails** PU 50 pieces 24560-255

**Torx panhead screw**, for extra bolting of the guide rails, 2.5 x 9.3, zinc-plated, PU 100 pieces; torque max. 0.2 Nm 24560-141

### Note

- ServicePLUS configuration from page 6.16

6 U



06113055

D = overall depth, D1 = insertion depth,  
D2 = board depth = D1 - 15 mm



04400001

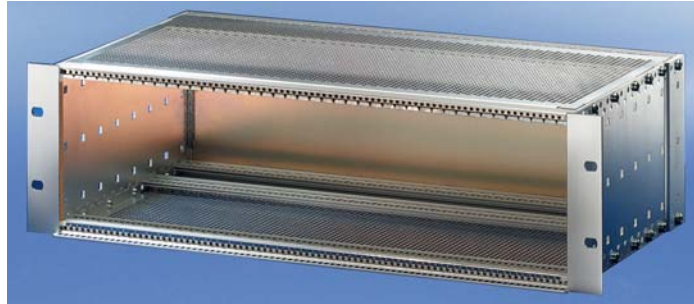
Rear horizontal rail for backplane mounting with insulation strip



ServicePLUS see page 6.16

## Subracks - *europac PRO*

Kit, for CompactPCI, for backplane mounting, without rear I/O, shielded



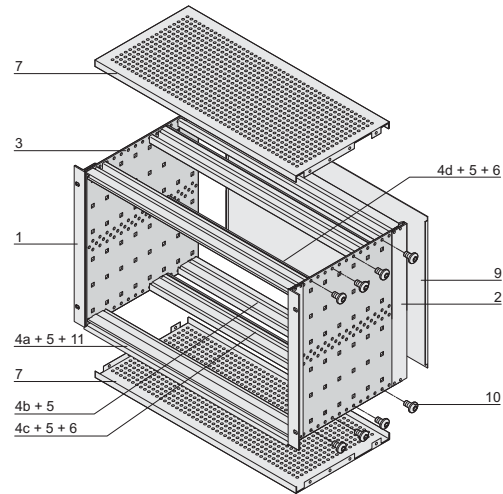
06102009

- Subrack with side panel type F ("flexible") for CompactPCI plug-in units with high insertion and withdrawal forces
- Rear horizontal rail for backplane mounting with insulation strip
- Shielding typically 40 dB at 1 GHz, 30 dB at 2 GHz, assuming that the front is covered with shielded front panels
- Installed load up to 11 kg

### Delivery comprises (kit)

| Item | Qty |     | Description                                                               |
|------|-----|-----|---------------------------------------------------------------------------|
|      | 3 U | 6 U |                                                                           |
| 1    | 2   | 2   | 19" support bracket for <b>EMC textile gasket</b>                         |
| 2    | 2   | 2   | Rear corner profile for <b>EMC textile gasket</b>                         |
| 3    | 2   | 2   | Side panel type F                                                         |
| 4    | 1   | -   | Front horizontal rail (H-KD)                                              |
| 4 a  | 1   | 2   | Front horizontal rail IEEE (H-LD)                                         |
| 4 b  | 2   | 2   | Rear horizontal rail (L-KD)                                               |
| 4 c  | 2   | 2   | Rear horizontal rail (H-ST), for backplane mounting with insulation strip |
| 4 d  | -   | 1   | Centre horizontal rail (ST)                                               |
| 5    | 6   | 8   | Threaded insert (pre-fitted)                                              |
| 6    | 2   | 4   | Insulation strip (pre-fitted)                                             |
| 7    | 2   | 2   | EMC cover plate                                                           |
| 8    | 1   | 1   | EMC gasketing material (pre-fitted)                                       |
| 9    | 1   | 1   | Rear panel                                                                |
| 10   | 1   | 1   | Fixing material kit                                                       |
| 11   | 2   | 2   | Perforated strip (pre-fitted in item 4+4a)                                |
| 12   | 1   | 1   | User manual                                                               |

6 U



06102078

### Order Information

| Height | Width | Depth D | Depth D1 | Part no.  |
|--------|-------|---------|----------|-----------|
| U      | HP    | mm      | mm       |           |
| 3      | 84    | 235     | 175      | 24563-152 |
| 6      | 84    | 235     | 175      | 24563-452 |

### Accessories

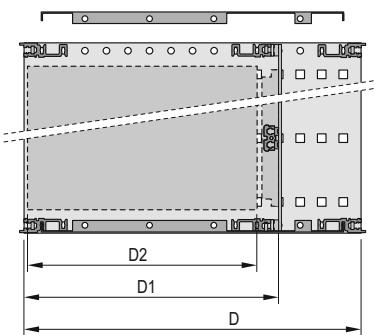
|                                                                                                           |           |
|-----------------------------------------------------------------------------------------------------------|-----------|
| <b>Guide rail with coding, red</b> 160 mm deep, PBT, UL 94 V-0, groove width 2 mm, PU 10 pieces           | 24560-356 |
| <b>Guide rail with coding, grey</b> 160 mm deep, PBT, UL 94 V-0, groove width 2 mm, PU 10 pieces          | 24560-358 |
| <b>Guide rail with coding, green, offset</b> 160 mm deep, PBT, UL 94 V-0, groove width 2 mm, PU 10 pieces | 24560-359 |
| <b>ESD clip for guide rails</b> PU 50 pieces                                                              | 24560-255 |
| <b>ESD clip for alignment pin of CPCI/VME64x handle</b> PU 50 pieces                                      | 24560-256 |
| <b>Torx panhead screw</b> 2.5 x 9.3, zinc-plated, PU 100 pieces; torque max. 0.2 Nm                       | 24560-141 |
| <b>Coding peg</b> PC, UL 94 V-0, RAL 7035, PU 100 pieces                                                  | 20817-501 |
| <b>19" assembly kit (screw, washer, nut)</b> (8 x screws, 8 x plastic washers, 8 x cage nuts)             | 21100-435 |

### Note

- ServicePLUS configuration from page 6.16



For further information [www.schroff.biz/oneclick](http://www.schroff.biz/oneclick)  
oneClick search code = Part no.



06113055

D = overall depth, D1 = insertion depth,  
D2 = board depth = D1 - 15 mm



04400001

Rear horizontal rail for backplane mounting with insulation strip

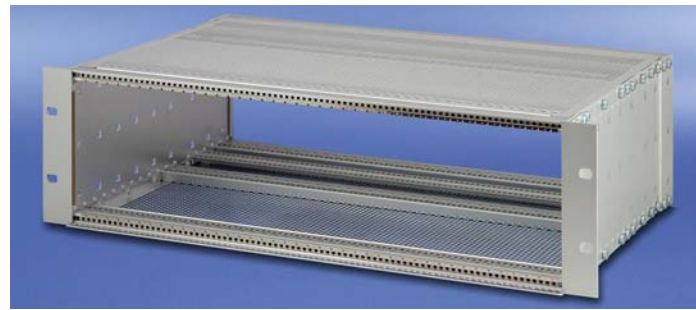


ServicePLUS see page 6.16



# Subracks - *europac PRO*

Kit, for CompactPCI, for backplane mounting, for rear I/O, shielded

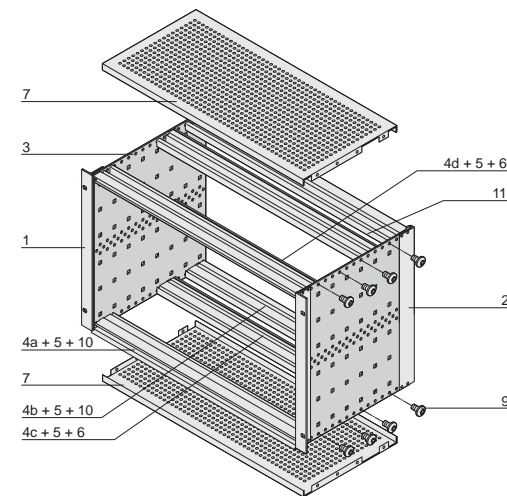


- Subrack with side panel type F ("flexible") for CompactPCI plug-in units with high insertion and withdrawal forces
- For rear I/O boards (depth 80 mm)
- Rear horizontal rail for backplane mounting with insulation strip
- Shielding typically 40 dB at 1 GHz, 30 dB at 2 GHz, assuming that the front is covered with shielded front panels
- Installed load up to 11 kg

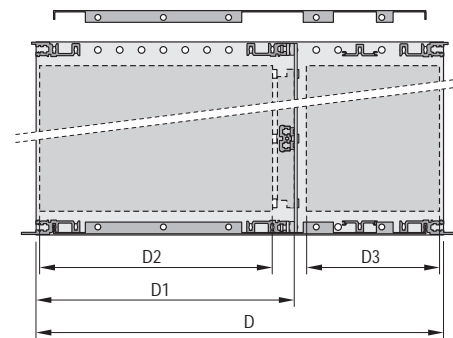
### Delivery comprises (kit)

| Item | Qty | 3 U | 6 U | Description                                                               |
|------|-----|-----|-----|---------------------------------------------------------------------------|
| 1    | 2   | 2   |     | 19" support bracket for <b>EMC textile gasket</b>                         |
| 2    | 2   | 2   |     | Rear corner profile for <b>EMC textile gasket</b>                         |
| 3    | 2   | 2   |     | Side panel type F                                                         |
| 4    | 1   | -   |     | Front horizontal rail (H-KD)                                              |
| 4 a  | 1   | 2   |     | Front horizontal rail IEEE (H-LD)                                         |
| 4 b  | 2   | 2   |     | Rear horizontal rail (H-KD)                                               |
| 4 c  | 2   | 2   |     | Rear horizontal rail (H-ST), with insulation strip for backplane mounting |
| 4 d  | -   | 1   |     | Centre horizontal rail (ST)                                               |
| 5    | 6   | 8   |     | Threaded insert (pre-fitted)                                              |
| 6    | 2   | 4   |     | Insulation strip, fixed                                                   |
| 7    | 2   | 2   |     | EMC cover plate                                                           |
| 8    | 1   | 1   |     | EMC gasketing material (pre-fitted)                                       |
| 9    | 1   | 1   |     | Fixing material kit                                                       |
| 10   | 2   | 2   |     | Perforated strip (pre-fitted)                                             |
| 11   | 2   | 2   |     | Horizontal rail type AB                                                   |
| 12   | 1   | 1   |     | User manual                                                               |

6 U

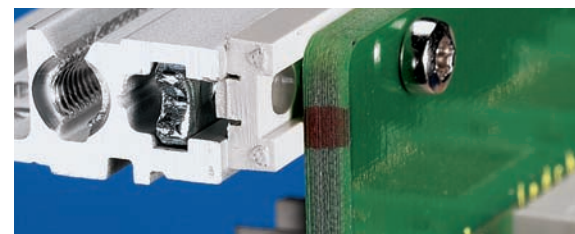


06108076



06108075

D = overall depth, D1 = insertion depth,  
D2 = board depth = D1 - 15 mm, D3 = rear I/O board depth



04400001

Rear horizontal rail for backplane mounting with insulation strip

### Order Information

| Height | Width | Depth D | Depth D1 | Depth D3 | Part no.  |
|--------|-------|---------|----------|----------|-----------|
| U      | HP    | mm      | mm       | mm       |           |
| 3      | 84    | 275     | 175      | 80       | 24563-157 |
| 6      | 84    | 275     | 175      | 80       | 24563-457 |

### Accessories

|                                                                                                           |           |
|-----------------------------------------------------------------------------------------------------------|-----------|
| <b>Guide rail with coding, red</b> 160 mm deep, PBT, UL 94 V-0, groove width 2 mm, PU 10 pieces           | 24560-356 |
| <b>Guide rail with coding, grey</b> 160 mm deep, PBT, UL 94 V-0, groove width 2 mm, PU 10 pieces          | 24560-358 |
| <b>Guide rail with coding, green, offset</b> 160 mm deep, PBT, UL 94 V-0, groove width 2 mm, PU 10 pieces | 24560-359 |
| <b>ESD clip for guide rails</b> PU 50 pieces                                                              | 24560-255 |
| <b>ESD clip for alignment pin of CPCI/VME64x handle</b> PU 50 pieces                                      | 24560-256 |
| <b>Guide rail with coding, red</b> 70 mm deep, PU 10 pieces                                               | 24560-355 |
| <b>Guide rail with coding, grey</b> 70 mm deep, PU 10 pieces                                              | 24560-360 |
| <b>Torx panhead screw</b> 2.5 x 9.3, zinc-plated, PU 100 pieces; torque max. 0.2 Nm                       | 24560-141 |
| <b>Coding peg</b> PC, UL 94 V-0, RAL 7035, PU 100 pieces                                                  | 20817-501 |
| <b>19" fixing material kit (screw, washer, nut)</b> (8 x screws, 8 x plastic washers, 8 x cage nuts)      | 21100-435 |

### Note

- ServicePLUS configuration from page 6.16



ServicePLUS see page 6.16

Main Catalogue  
E 10/2012

Part number in bold face type: ready for despatch within 2 working days  
Part number in normal type: ready for despatch within 10 working days

6.15



**configuration**

**Simple. Fast. To the ideal product.**

**Components can be varied and combined freely**

- Configuration tables from page 6.17
- Online configuration: [www.schroff.co.uk/configuration](http://www.schroff.co.uk/configuration)



**assembly**

**Assembled by professionals. Double benefit!**

**Fitting of all mechanical, electrical and electronic components by our specialists**

- Professional and reliable from quantity 1
- Ready for despatch within 5 working days



**modification**

**Small changes. Large impact.**

**Custom drillings, cut-outs and special colours for off-the-shelf products**

- Custom modifications from quantity 1
- Ready for despatch within 10 working days



**solution**

**Simple. Fast. From one source.**

**Integration and custom developments**

- Special sizes (depth and width)
- Individual heat dissipation concepts
- Ready for despatch within 10 working days



**express**

**When fast has to be faster.**

**Delivery time to customer's request**

- Express logistics



**academy**

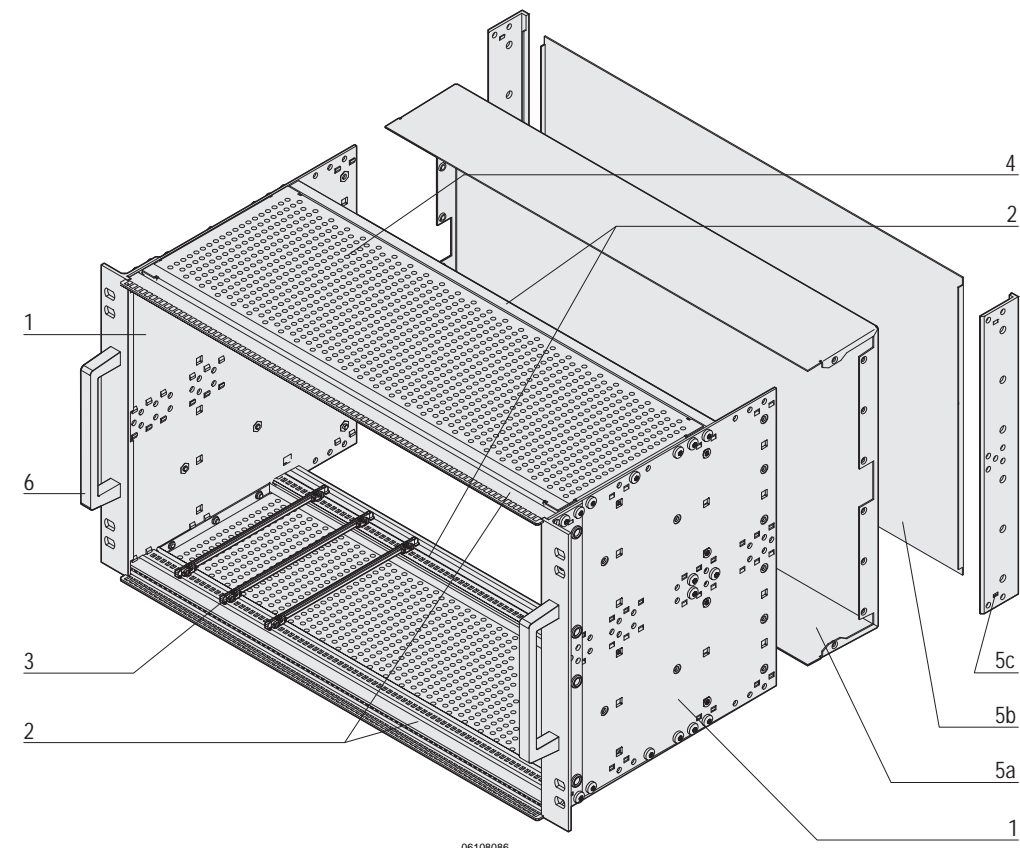
**Knowledge. Sharing. Partnerships.**

**Knowledge transfer and partnership**

- Seminars, CAD drawings, test reports, user reports

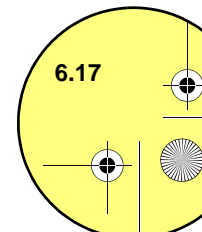


Overview of individual components for shielded or unshielded subracks

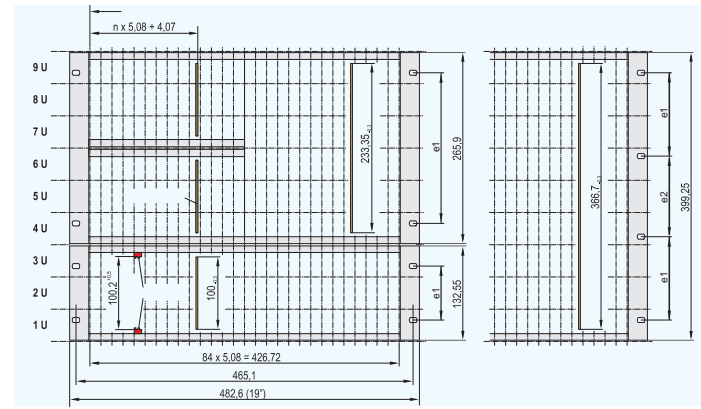


06108086

| Item   | Description                                   | Description                                                                                                                                                                                                                                                                                            | page |
|--------|-----------------------------------------------|--------------------------------------------------------------------------------------------------------------------------------------------------------------------------------------------------------------------------------------------------------------------------------------------------------|------|
| Item 1 | Side panel                                    | Establishes the height and depth of the subrack;<br>Al, 2 mm, with universal hole positions for assembly of accessories.<br>Three versions: The "flexible" one with separate 19" brackets as well as two others with integrated 19" brackets for "light" and "heavy" applications.                     | 6.19 |
| Item 2 | Horizontal rail                               | Establishes the width of the subrack;<br>Al extrusion, with defined hole positions for guide rails, grooves for threaded inserts, M4 thread, functional rail shapes, basically differing with regard to their mechanical loading capacity:<br>"light" (load up to 7.5 kg) and "heavy" (load > 7.5 kg). | 6.27 |
| Item 3 | Guide rails                                   | Act as interface between subracks and boards,<br>for different board formats, are available in plastic or metal,<br>optionally codable and can be fitted with ESD clips to allow electrostatic discharge, also optionally.                                                                             | 6.35 |
| Item 4 | Cover plates                                  | Provide mechanical protection and/or EMC shielding and are perforated.                                                                                                                                                                                                                                 | 6.42 |
| Item 5 | Rear/front                                    | Rear hood (5a) or front panel (5b) with corner profile (5c) act as support for EMC shielding gaskets used in conjunction with shielded front panels.<br>Note: Rear hood and corner profile cannot be fitted simultaneously.                                                                            | 6.47 |
| Item 6 | Handles                                       | Can be mounted on the 19" brackets.                                                                                                                                                                                                                                                                    | 6.25 |
| -      | EMC shielding<br>(without illustration)       | Extensive component range for specific shielding of subracks with respect to their application.                                                                                                                                                                                                        | 6.52 |
| -      | Interior assemblies<br>(without illustration) | Universal assemblies, e.g. for horizontal and vertical assembly and for mounting plates.                                                                                                                                                                                                               | 6.57 |

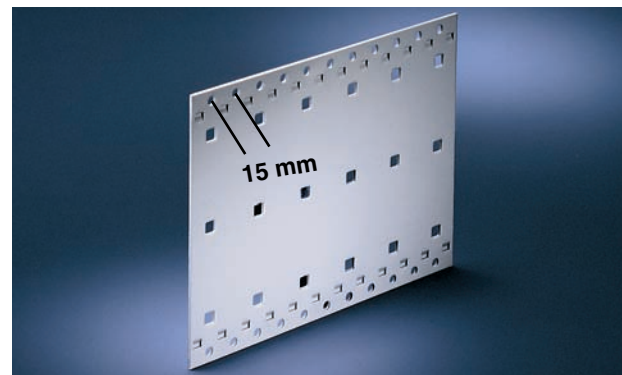


Subrack dimensions



20304051

- Dimensions in accordance with international standards EC 60297-3-100, IEEE 1101.1/.10/.11; please see the Schroff Standards Summary for details
- Side panels
  - Aluminium, 2 mm
  - Round holes for mounting horizontal rails (depth grid 15 mm)
  - Impressions on the inner side of the side panel act as an anti-rotation guard and positioning aid for the horizontal rails
  - Square holes (6 x 6 mm) provide universal fixing for components such as backplane shielding; version without square holes available on request



06103001

**Depth grid**

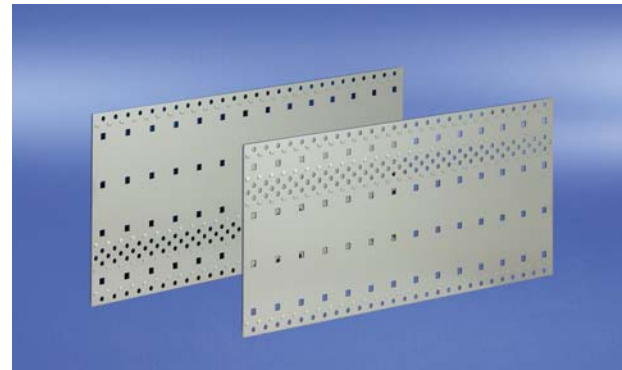
The depth grid is 15 mm, the mounting holes in the side panel are decisive for the configurability of individual components; thus any combination of various individual parts is possible



06108008

**Side panel 3 U, 6 U and 9 U**

3 and 6 U side panels have the same hole positions (the 6 U is a doubling vertically of the 3 U); thus subdivisions can be made in the vertical dimension (6 U: 2 x 3 U; 9 U: 3 x 3 U)

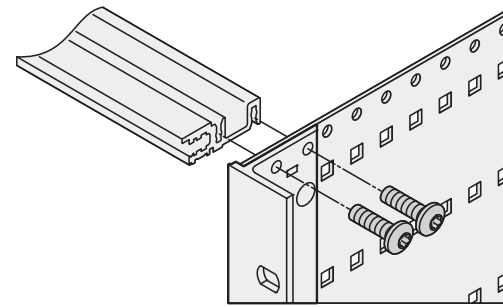


06108011

**Side panel 4 U**

4 U side panels have the same hole positions as 3 U and additionally 1 U (above or beneath the 3 U installation); this height allows the construction of a 3 U unit with 1 U clearance for cabling or airflow

Side panels

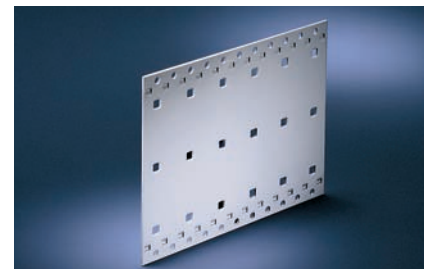


Side panel - horizontal rail assembly

- Aluminium
- Round holes for mounting horizontal rails (depth grid 15 mm)
- Impressions on the inner side of the side panel act as an anti-rotation guard and positioning aid for the horizontal rails
- Square holes (6 x 6 mm) provide universal fixing for components such as backplane shielding; version without square holes available on request
- Only one type of screw driver is needed for the assembly (torx panhead screw, M4 x 14; torque side panel - horizontal rail 2.4 Nm; torque side panel - cover plate 1.3 Nm)
- 4 versions of the side panel:
  - Type F = flexible
  - Type H = heavy
  - Type L = light
  - Type R = rugged

**Note**

- Type R - rugged side panels see "Rugged Subracks" section, page 6.97



**Type F (flexible)**

- Universal version: 19" bracket (please order separately) can be fitted variably to front, rear or depth-offset
- Heights: 3, 4, 6 and 9 U  
Depths: 175, 235, 275, 277.75, 295, 355, 415 and 475 mm;  
Other dimensions on request
- 2 EMC shielding concepts for the front/rear: stainless steel or textile EMC gasket
- Installed load up to 11 kg



**Type H (heavy)**

- 19" bracket is tox-cold welded to side panel; particularly designed for mechanically demanding environments (vibration resistance, applications requiring high levels of shock and vibration, e.g. IEC 61587-2)
- Heights: 3 and 6 U  
Depths: 175, 235, 295 and 355 mm  
Other dimensions on request
- 2 EMC shielding concepts for the front/rear: with stainless steel or textile EMC gasket
- Installed load up to 15 kg



**Type L (light)**

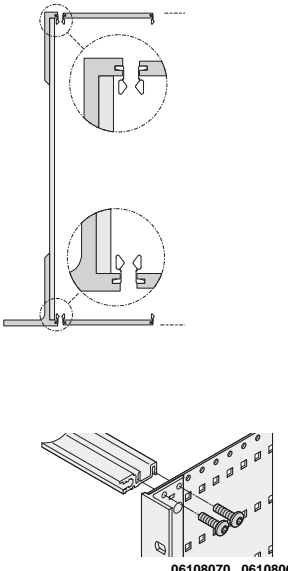

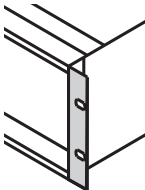
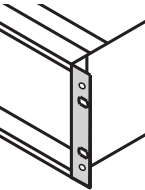
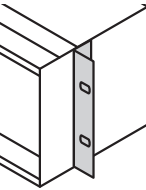
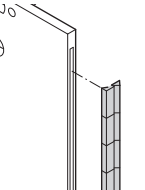
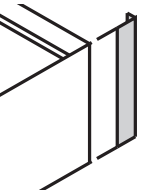
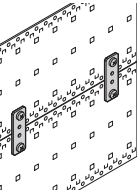
- Side panel with moulded 19" bracket, for standard applications, unshielded
- Particularly cost-effective version (not suitable for EMC applications)
- Heights: 3 and 6 U  
Depths: 175, 235 and 295 mm  
Other dimensions on request
- Installed load up to 7.5 kg



## Subracks - *europac PRO* ServicePLUS

Side panels type F for stainless steel gasket

### Order Information

|  |             | <br>06197003<br>without 19" bracket, Al, 2 mm, passivated, please order 19" bracket and corner profile separately | <br>bza45819<br>with lateral grooves for stainless steel EMC gasket, Al extrusion, rear side etched, front anodised | <br>06106050<br>with lateral grooves for stainless steel EMC gasket, Al extrusion, rear side etched, front anodised please order front handles separately, see page 6.25 | <br>06102501<br>Al extrusion, passivated | <br>BGA45760<br>inserted laterally into the grooves of the front panel | <br>BZA46573<br>Al extrusion, surface clear passivated; with lateral grooves for stainless steel EMC gasket; rear hood cannot be mounted simultaneously | <br>BPA45867<br>Zn die-cast, incl. fixing material kit, for connecting two by two side panels (on top of each other) |
|----------------------------------------------------------------------------------|-------------|----------------------------------------------------------------------------------------------------------------------------------------------------------------------------------------------------|------------------------------------------------------------------------------------------------------------------------------------------------------------------------------------------------------|-----------------------------------------------------------------------------------------------------------------------------------------------------------------------------------------------------------------------------------------------------------|---------------------------------------------------------------------------------------------------------------------------|---------------------------------------------------------------------------------------------------------------------------------------------------------|--------------------------------------------------------------------------------------------------------------------------------------------------------------------------------------------------------------------------------------------|---------------------------------------------------------------------------------------------------------------------------------------------------------------------------------------------------------|
| Height<br>U                                                                      | Depth<br>mm | 1 piece                                                                                                                                                                                            | PU 1 pair                                                                                                                                                                                            | PU 1 pair                                                                                                                                                                                                                                                 | PU 1 pair                                                                                                                 | PU 10 pieces                                                                                                                                            | PU 1 pair                                                                                                                                                                                                                                  | PU 4 pieces                                                                                                                                                                                             |
| 3                                                                                | 175         | 34560-185                                                                                                                                                                                          |                                                                                                                                                                                                      |                                                                                                                                                                                                                                                           |                                                                                                                           |                                                                                                                                                         |                                                                                                                                                                                                                                            |                                                                                                                                                                                                         |
| 3                                                                                | 235         | 34560-187                                                                                                                                                                                          |                                                                                                                                                                                                      |                                                                                                                                                                                                                                                           |                                                                                                                           |                                                                                                                                                         |                                                                                                                                                                                                                                            |                                                                                                                                                                                                         |
| 3                                                                                | 275         | 34579-300 1)                                                                                                                                                                                       |                                                                                                                                                                                                      |                                                                                                                                                                                                                                                           |                                                                                                                           |                                                                                                                                                         |                                                                                                                                                                                                                                            |                                                                                                                                                                                                         |
| 3                                                                                | 277.75      | 34579-002 2)                                                                                                                                                                                       |                                                                                                                                                                                                      |                                                                                                                                                                                                                                                           |                                                                                                                           |                                                                                                                                                         |                                                                                                                                                                                                                                            |                                                                                                                                                                                                         |
| 3                                                                                | 295         | 34560-189                                                                                                                                                                                          | 24560-197                                                                                                                                                                                            | 24560-198                                                                                                                                                                                                                                                 | 24560-199                                                                                                                 | 21101-705                                                                                                                                               | 24561-198                                                                                                                                                                                                                                  | 21101-954                                                                                                                                                                                               |
| 3                                                                                | 355         | 34560-191                                                                                                                                                                                          |                                                                                                                                                                                                      |                                                                                                                                                                                                                                                           |                                                                                                                           |                                                                                                                                                         |                                                                                                                                                                                                                                            |                                                                                                                                                                                                         |
| 3                                                                                | 415         | 34560-193                                                                                                                                                                                          |                                                                                                                                                                                                      |                                                                                                                                                                                                                                                           |                                                                                                                           |                                                                                                                                                         |                                                                                                                                                                                                                                            |                                                                                                                                                                                                         |
| 3                                                                                | 475         | 34560-195                                                                                                                                                                                          |                                                                                                                                                                                                      |                                                                                                                                                                                                                                                           |                                                                                                                           |                                                                                                                                                         |                                                                                                                                                                                                                                            |                                                                                                                                                                                                         |
| 4                                                                                | 175         | 34560-285 3)                                                                                                                                                                                       |                                                                                                                                                                                                      |                                                                                                                                                                                                                                                           |                                                                                                                           |                                                                                                                                                         |                                                                                                                                                                                                                                            |                                                                                                                                                                                                         |
| 4                                                                                | 235         | 34560-287 3)                                                                                                                                                                                       |                                                                                                                                                                                                      |                                                                                                                                                                                                                                                           |                                                                                                                           |                                                                                                                                                         |                                                                                                                                                                                                                                            |                                                                                                                                                                                                         |
| 4                                                                                | 295         | 34560-289 3)                                                                                                                                                                                       | 24560-297                                                                                                                                                                                            | 24560-298                                                                                                                                                                                                                                                 | 24560-299                                                                                                                 | 21101-713                                                                                                                                               | 24561-298                                                                                                                                                                                                                                  | 21101-954                                                                                                                                                                                               |
| 4                                                                                | 355         | 34560-291 3)                                                                                                                                                                                       |                                                                                                                                                                                                      |                                                                                                                                                                                                                                                           |                                                                                                                           |                                                                                                                                                         |                                                                                                                                                                                                                                            |                                                                                                                                                                                                         |
| 4                                                                                | 415         | 34560-293 3)                                                                                                                                                                                       |                                                                                                                                                                                                      |                                                                                                                                                                                                                                                           |                                                                                                                           |                                                                                                                                                         |                                                                                                                                                                                                                                            |                                                                                                                                                                                                         |
| 4                                                                                | 475         | 34560-295 3)                                                                                                                                                                                       |                                                                                                                                                                                                      |                                                                                                                                                                                                                                                           |                                                                                                                           |                                                                                                                                                         |                                                                                                                                                                                                                                            |                                                                                                                                                                                                         |
| 6                                                                                | 175         | 34560-485                                                                                                                                                                                          |                                                                                                                                                                                                      |                                                                                                                                                                                                                                                           |                                                                                                                           |                                                                                                                                                         |                                                                                                                                                                                                                                            |                                                                                                                                                                                                         |
| 6                                                                                | 235         | 34560-487                                                                                                                                                                                          |                                                                                                                                                                                                      |                                                                                                                                                                                                                                                           |                                                                                                                           |                                                                                                                                                         |                                                                                                                                                                                                                                            |                                                                                                                                                                                                         |
| 6                                                                                | 275         | 34579-038 1)                                                                                                                                                                                       |                                                                                                                                                                                                      |                                                                                                                                                                                                                                                           |                                                                                                                           |                                                                                                                                                         |                                                                                                                                                                                                                                            |                                                                                                                                                                                                         |
| 6                                                                                | 277.75      | 34579-012 2)                                                                                                                                                                                       |                                                                                                                                                                                                      |                                                                                                                                                                                                                                                           |                                                                                                                           |                                                                                                                                                         |                                                                                                                                                                                                                                            |                                                                                                                                                                                                         |
| 6                                                                                | 295         | 34560-489                                                                                                                                                                                          | 24560-497                                                                                                                                                                                            | 24560-498                                                                                                                                                                                                                                                 | 24560-499                                                                                                                 | 21101-707                                                                                                                                               | 24561-498                                                                                                                                                                                                                                  | 21101-954                                                                                                                                                                                               |
| 6                                                                                | 355         | 34560-491                                                                                                                                                                                          |                                                                                                                                                                                                      |                                                                                                                                                                                                                                                           |                                                                                                                           |                                                                                                                                                         |                                                                                                                                                                                                                                            |                                                                                                                                                                                                         |
| 6                                                                                | 415         | 34560-493                                                                                                                                                                                          |                                                                                                                                                                                                      |                                                                                                                                                                                                                                                           |                                                                                                                           |                                                                                                                                                         |                                                                                                                                                                                                                                            |                                                                                                                                                                                                         |
| 6                                                                                | 475         | 34560-495                                                                                                                                                                                          |                                                                                                                                                                                                      |                                                                                                                                                                                                                                                           |                                                                                                                           |                                                                                                                                                         |                                                                                                                                                                                                                                            |                                                                                                                                                                                                         |
| 6                                                                                | 970         | 34560-496                                                                                                                                                                                          |                                                                                                                                                                                                      |                                                                                                                                                                                                                                                           |                                                                                                                           |                                                                                                                                                         |                                                                                                                                                                                                                                            |                                                                                                                                                                                                         |
| 9                                                                                | 175         | 34560-785                                                                                                                                                                                          |                                                                                                                                                                                                      |                                                                                                                                                                                                                                                           |                                                                                                                           |                                                                                                                                                         |                                                                                                                                                                                                                                            |                                                                                                                                                                                                         |
| 9                                                                                | 235         | 34560-787                                                                                                                                                                                          |                                                                                                                                                                                                      |                                                                                                                                                                                                                                                           |                                                                                                                           |                                                                                                                                                         |                                                                                                                                                                                                                                            |                                                                                                                                                                                                         |
| 9                                                                                | 295         | 34560-789                                                                                                                                                                                          | 24560-797                                                                                                                                                                                            | 24560-798                                                                                                                                                                                                                                                 | 24560-799                                                                                                                 | 21101-709                                                                                                                                               | 24561-798                                                                                                                                                                                                                                  | 21101-954                                                                                                                                                                                               |
| 9                                                                                | 355         | 34560-791                                                                                                                                                                                          |                                                                                                                                                                                                      |                                                                                                                                                                                                                                                           |                                                                                                                           |                                                                                                                                                         |                                                                                                                                                                                                                                            |                                                                                                                                                                                                         |
| 9                                                                                | 415         | 34560-793                                                                                                                                                                                          |                                                                                                                                                                                                      |                                                                                                                                                                                                                                                           |                                                                                                                           |                                                                                                                                                         |                                                                                                                                                                                                                                            |                                                                                                                                                                                                         |
| Screw, M4 x 14, PU 100 pieces, for fastening horizontal rail to side panel       |             | 24560-130                                                                                                                                                                                          | 24560-130                                                                                                                                                                                            | 24560-130                                                                                                                                                                                                                                                 | 24560-130                                                                                                                 | –                                                                                                                                                       | 24560-130                                                                                                                                                                                                                                  | –                                                                                                                                                                                                       |
| Screw, M4 x 10, required if guide rails are screwed to slot 1, PU 100 pieces     |             | 24560-155                                                                                                                                                                                          | 24560-155                                                                                                                                                                                            | 24560-155                                                                                                                                                                                                                                                 | 24560-155                                                                                                                 | –                                                                                                                                                       | 24560-155                                                                                                                                                                                                                                  | –                                                                                                                                                                                                       |

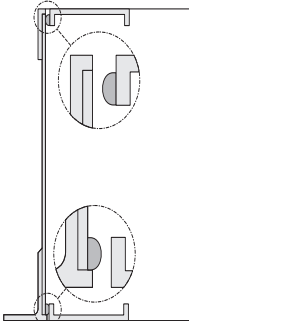

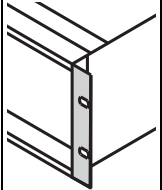
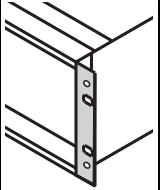
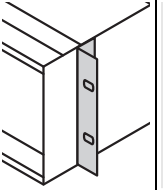
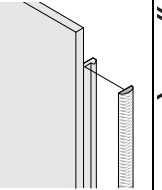
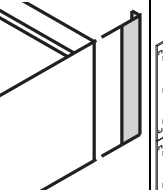
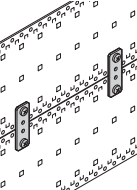
1) CompactPCI 2) VME64x 3) Grid holes of side panel 3 + 1 U

■ View of side panels 3, 4, 6, 9 U see page 6.18

## Subracks - *europac* PRO ServicePLUS

### Side panels type F for textile EMC gasket

#### Order Information



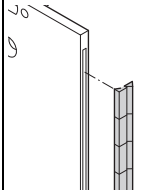
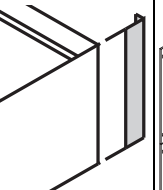
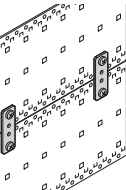
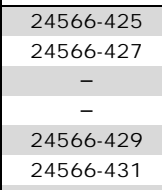
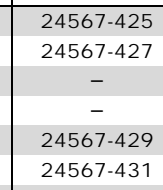

| <br>Illustration shows standard assembly, not VME or CompactPCI bus with rear I/O |             | <br>Side panel type F | <br>19" bracket without handle holes | <br>19" bracket with handle holes | <br>19" bracket depth-adjustable | <br>EMC gasket (textile) | <br>Rear angle | <br>Side panel connection |
|--------------------------------------------------------------------------------------------------------------------------------------------------------------------|-------------|--------------------------------------------------------------------------------------------------------|-----------------------------------------------------------------------------------------------------------------------|--------------------------------------------------------------------------------------------------------------------|-------------------------------------------------------------------------------------------------------------------|------------------------------------------------------------------------------------------------------------|---------------------------------------------------------------------------------------------------|--------------------------------------------------------------------------------------------------------------|
| Height<br>U                                                                                                                                                        | Depth<br>mm | 1 piece                                                                                                | PU 1 pair                                                                                                             | PU 1 pair                                                                                                          | PU 1 pair                                                                                                         | PU 10 pieces                                                                                               | PU 1 pair                                                                                         | PU 4 pieces                                                                                                  |
| 3                                                                                                                                                                  | 175         | 34560-185                                                                                              |                                                                                                                       |                                                                                                                    |                                                                                                                   |                                                                                                            |                                                                                                   |                                                                                                              |
| 3                                                                                                                                                                  | 235         | 34560-187                                                                                              |                                                                                                                       |                                                                                                                    |                                                                                                                   |                                                                                                            |                                                                                                   |                                                                                                              |
| 3                                                                                                                                                                  | 275 1)      | 34579-300                                                                                              |                                                                                                                       |                                                                                                                    |                                                                                                                   |                                                                                                            |                                                                                                   |                                                                                                              |
| 3                                                                                                                                                                  | 277.75 2)   | 34579-002                                                                                              |                                                                                                                       |                                                                                                                    |                                                                                                                   |                                                                                                            |                                                                                                   |                                                                                                              |
| 3                                                                                                                                                                  | 295         | 34560-189                                                                                              | 24564-197                                                                                                             | 24564-198                                                                                                          | 24560-199                                                                                                         | 21101-853                                                                                                  | 24564-199                                                                                         | 21101-954                                                                                                    |
| 3                                                                                                                                                                  | 355         | 34560-191                                                                                              |                                                                                                                       |                                                                                                                    |                                                                                                                   |                                                                                                            |                                                                                                   |                                                                                                              |
| 3                                                                                                                                                                  | 415         | 34560-193                                                                                              |                                                                                                                       |                                                                                                                    |                                                                                                                   |                                                                                                            |                                                                                                   |                                                                                                              |
| 3                                                                                                                                                                  | 475         | 34560-195                                                                                              |                                                                                                                       |                                                                                                                    |                                                                                                                   |                                                                                                            |                                                                                                   |                                                                                                              |
| 4                                                                                                                                                                  | 175 3)      | 34560-285                                                                                              |                                                                                                                       |                                                                                                                    |                                                                                                                   |                                                                                                            |                                                                                                   |                                                                                                              |
| 4                                                                                                                                                                  | 235 3)      | 34560-287                                                                                              |                                                                                                                       |                                                                                                                    |                                                                                                                   |                                                                                                            |                                                                                                   |                                                                                                              |
| 4                                                                                                                                                                  | 295 3)      | 34560-289                                                                                              | 24564-297                                                                                                             | 24564-298                                                                                                          | 24560-299                                                                                                         | 21101-858                                                                                                  | 24564-299                                                                                         | 21101-954                                                                                                    |
| 4                                                                                                                                                                  | 355 3)      | 34560-291                                                                                              |                                                                                                                       |                                                                                                                    |                                                                                                                   |                                                                                                            |                                                                                                   |                                                                                                              |
| 4                                                                                                                                                                  | 415 3)      | 34560-293                                                                                              |                                                                                                                       |                                                                                                                    |                                                                                                                   |                                                                                                            |                                                                                                   |                                                                                                              |
| 4                                                                                                                                                                  | 475 3)      | 34560-295                                                                                              |                                                                                                                       |                                                                                                                    |                                                                                                                   |                                                                                                            |                                                                                                   |                                                                                                              |
| 6                                                                                                                                                                  | 175         | 34560-485                                                                                              |                                                                                                                       |                                                                                                                    |                                                                                                                   |                                                                                                            |                                                                                                   |                                                                                                              |
| 6                                                                                                                                                                  | 235         | 34560-487                                                                                              |                                                                                                                       |                                                                                                                    |                                                                                                                   |                                                                                                            |                                                                                                   |                                                                                                              |
| 6                                                                                                                                                                  | 275 1)      | 34579-038                                                                                              |                                                                                                                       |                                                                                                                    |                                                                                                                   |                                                                                                            |                                                                                                   |                                                                                                              |
| 6                                                                                                                                                                  | 277.75 2)   | 34579-012                                                                                              |                                                                                                                       |                                                                                                                    |                                                                                                                   |                                                                                                            |                                                                                                   |                                                                                                              |
| 6                                                                                                                                                                  | 295         | 34560-489                                                                                              | 24564-497                                                                                                             | 24564-498                                                                                                          | 24560-499                                                                                                         | 21101-855                                                                                                  | 24564-499                                                                                         | 21101-954                                                                                                    |
| 6                                                                                                                                                                  | 355         | 34560-491                                                                                              |                                                                                                                       |                                                                                                                    |                                                                                                                   |                                                                                                            |                                                                                                   |                                                                                                              |
| 6                                                                                                                                                                  | 415         | 34560-493                                                                                              |                                                                                                                       |                                                                                                                    |                                                                                                                   |                                                                                                            |                                                                                                   |                                                                                                              |
| 6                                                                                                                                                                  | 475         | 34560-495                                                                                              |                                                                                                                       |                                                                                                                    |                                                                                                                   |                                                                                                            |                                                                                                   |                                                                                                              |
| 6                                                                                                                                                                  | 970         | 34560-496                                                                                              |                                                                                                                       |                                                                                                                    |                                                                                                                   |                                                                                                            |                                                                                                   |                                                                                                              |
| 9                                                                                                                                                                  | 175         | 34560-785                                                                                              |                                                                                                                       |                                                                                                                    |                                                                                                                   |                                                                                                            |                                                                                                   |                                                                                                              |
| 9                                                                                                                                                                  | 235         | 34560-787                                                                                              |                                                                                                                       |                                                                                                                    |                                                                                                                   |                                                                                                            |                                                                                                   |                                                                                                              |
| 9                                                                                                                                                                  | 295         | 34560-789                                                                                              | 24564-797                                                                                                             | 24564-798                                                                                                          | 24560-799                                                                                                         | 21101-859                                                                                                  | 24564-799                                                                                         | 21101-954                                                                                                    |
| 9                                                                                                                                                                  | 355         | 34560-791                                                                                              |                                                                                                                       |                                                                                                                    |                                                                                                                   |                                                                                                            |                                                                                                   |                                                                                                              |
| 9                                                                                                                                                                  | 415         | 34560-793                                                                                              |                                                                                                                       |                                                                                                                    |                                                                                                                   |                                                                                                            |                                                                                                   |                                                                                                              |
| Screw, M4 x 14, PU 100 pieces, for fastening horizontal rail to side panel                                                                                         |             | 24560-130                                                                                              | 24560-130                                                                                                             | 24560-130                                                                                                          | 24560-130                                                                                                         | -                                                                                                          | 24560-130                                                                                         | -                                                                                                            |
| Screw, M4 x 10, required if guide rails are screwed to slot 1, PU 100 pieces                                                                                       |             | 24560-155                                                                                              | 24560-155                                                                                                             | 24560-155                                                                                                          | 24560-155                                                                                                         | -                                                                                                          | 24560-155                                                                                         | -                                                                                                            |

1) CompactPCI 2) VME64x 3) Grid holes of side panel 3 + 1 U

# Subracks - *europac PRO* ServicePLUS

## Side panels type H for stainless steel EMC gasket

### Order Information

|                       |                                                                                                                                                            | <b>Side panel type H for stainless steel EMC gasket</b><br>without handle holes      with handle holes |                                                                                                                                         | <b>EMC gasket</b><br>(stainless steel)                                                               | <b>Rear angle</b>                                                                             | <b>Side panel connection</b>                                                                   |
|-------------------------------------------------------------------------------------------------------|------------------------------------------------------------------------------------------------------------------------------------------------------------|--------------------------------------------------------------------------------------------------------|-----------------------------------------------------------------------------------------------------------------------------------------|------------------------------------------------------------------------------------------------------|-----------------------------------------------------------------------------------------------|------------------------------------------------------------------------------------------------|
|                       |                                                                            | <br>06107004          | <br>06107001                                           | <br>BGA45760        | <br>BZA46573 | <br>BPA45867 |
| for high mechanical demands, 19" bracket, tox-cold welded, Al, 2 mm, clear passivated, front anodised | for high mechanical demands, 19" bracket, tox-cold welded, Al, 2 mm, clear passivated, front anodised, please order front handles separately see page 6.25 | inserted laterally into the grooves of the front panel                                                 | Al extrusion, surface clear passivated; with lateral grooves for stainless steel EMC gasket; rear hood cannot be mounted simultaneously | Zn die-cast, incl. fixing material kit, for connecting two by two side panels (on top of each other) |                                                                                               |                                                                                                |
| Height                                                                                                | Depth                                                                                                                                                      | PU 1 pair                                                                                              | PU 1 pair                                                                                                                               | PU 10 pieces                                                                                         | PU 1 pair                                                                                     | PU 4 pieces                                                                                    |
| U                                                                                                     | mm                                                                                                                                                         |                                                                                                        |                                                                                                                                         |                                                                                                      |                                                                                               |                                                                                                |
| 3                                                                                                     | 175                                                                                                                                                        | 24566-125                                                                                              | 24567-125                                                                                                                               |                                                                                                      |                                                                                               |                                                                                                |
| 3                                                                                                     | 235                                                                                                                                                        | 24566-127                                                                                              | 24567-127                                                                                                                               |                                                                                                      |                                                                                               |                                                                                                |
| 3                                                                                                     | 275 1)                                                                                                                                                     | –                                                                                                      | –                                                                                                                                       |                                                                                                      |                                                                                               |                                                                                                |
| 3                                                                                                     | 277.75 2)                                                                                                                                                  | –                                                                                                      | –                                                                                                                                       | 21101-705                                                                                            | 24561-198                                                                                     | 21101-954                                                                                      |
| 3                                                                                                     | 295                                                                                                                                                        | 24566-129                                                                                              | 24567-129                                                                                                                               |                                                                                                      |                                                                                               |                                                                                                |
| 3                                                                                                     | 355                                                                                                                                                        | 24566-131                                                                                              | 24567-131                                                                                                                               |                                                                                                      |                                                                                               |                                                                                                |
| 3                                                                                                     | 415                                                                                                                                                        | –                                                                                                      | –                                                                                                                                       |                                                                                                      |                                                                                               |                                                                                                |
| 3                                                                                                     | 475                                                                                                                                                        | –                                                                                                      | –                                                                                                                                       |                                                                                                      |                                                                                               |                                                                                                |
| 4                                                                                                     | 175 3)                                                                                                                                                     |                                                                                                        |                                                                                                                                         |                                                                                                      |                                                                                               |                                                                                                |
| 4                                                                                                     | 235 3)                                                                                                                                                     |                                                                                                        |                                                                                                                                         |                                                                                                      |                                                                                               |                                                                                                |
| 4                                                                                                     | 295 3)                                                                                                                                                     | –                                                                                                      | –                                                                                                                                       | –                                                                                                    | –                                                                                             | –                                                                                              |
| 4                                                                                                     | 355 3)                                                                                                                                                     |                                                                                                        |                                                                                                                                         |                                                                                                      |                                                                                               |                                                                                                |
| 4                                                                                                     | 415 3)                                                                                                                                                     |                                                                                                        |                                                                                                                                         |                                                                                                      |                                                                                               |                                                                                                |
| 4                                                                                                     | 475 3)                                                                                                                                                     |                                                                                                        |                                                                                                                                         |                                                                                                      |                                                                                               |                                                                                                |
| 6                                                                                                     | 175                                                                                                                                                        | 24566-425                                                                                              | 24567-425                                                                                                                               |                                                                                                      |                                                                                               |                                                                                                |
| 6                                                                                                     | 235                                                                                                                                                        | 24566-427                                                                                              | 24567-427                                                                                                                               |                                                                                                      |                                                                                               |                                                                                                |
| 6                                                                                                     | 275 1)                                                                                                                                                     | –                                                                                                      | –                                                                                                                                       |                                                                                                      |                                                                                               |                                                                                                |
| 6                                                                                                     | 277.75 2)                                                                                                                                                  | –                                                                                                      | –                                                                                                                                       | 21101-707                                                                                            | 24561-498                                                                                     | 21101-954                                                                                      |
| 6                                                                                                     | 295                                                                                                                                                        | 24566-429                                                                                              | 24567-429                                                                                                                               |                                                                                                      |                                                                                               |                                                                                                |
| 6                                                                                                     | 355                                                                                                                                                        | 24566-431                                                                                              | 24567-431                                                                                                                               |                                                                                                      |                                                                                               |                                                                                                |
| 6                                                                                                     | 415                                                                                                                                                        | –                                                                                                      | –                                                                                                                                       |                                                                                                      |                                                                                               |                                                                                                |
| 6                                                                                                     | 475                                                                                                                                                        | –                                                                                                      | –                                                                                                                                       |                                                                                                      |                                                                                               |                                                                                                |
| 6                                                                                                     | 970                                                                                                                                                        | –                                                                                                      | –                                                                                                                                       |                                                                                                      |                                                                                               |                                                                                                |
| 9                                                                                                     | 175                                                                                                                                                        |                                                                                                        |                                                                                                                                         |                                                                                                      |                                                                                               |                                                                                                |
| 9                                                                                                     | 235                                                                                                                                                        |                                                                                                        |                                                                                                                                         |                                                                                                      |                                                                                               |                                                                                                |
| 9                                                                                                     | 295                                                                                                                                                        | –                                                                                                      | –                                                                                                                                       | –                                                                                                    | –                                                                                             | –                                                                                              |
| 9                                                                                                     | 355                                                                                                                                                        |                                                                                                        |                                                                                                                                         |                                                                                                      |                                                                                               |                                                                                                |
| 9                                                                                                     | 415                                                                                                                                                        |                                                                                                        |                                                                                                                                         |                                                                                                      |                                                                                               |                                                                                                |
| Screw, M4 x 14, PU 100 pieces, for fastening horizontal rail to side panel                            |                                                                                                                                                            | 24560-130                                                                                              | 24560-130                                                                                                                               | –                                                                                                    | 24560-130                                                                                     | –                                                                                              |
| Screw, M4 x 10, required if guide rails are screwed to slot 1, PU 100 pieces                          |                                                                                                                                                            | 24560-155                                                                                              | 24560-155                                                                                                                               | –                                                                                                    | 24560-155                                                                                     | –                                                                                              |

1) CompactPCI 2) VME64x 3) Grid holes of side panel 3 + 1 U



Side panels type H for textile EMC gasket

Order Information

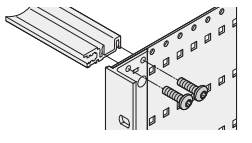

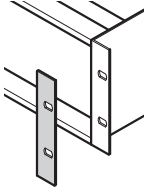
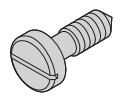
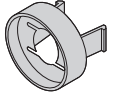
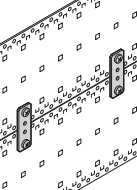
| Illustration shows standard assembly, not VME or CompactPCI bus with rear I/O |              | Side panel type H for textile EMC gasket without handle holes                                         | Side panel type H for textile EMC gasket with handle holes                                                                                                 | EMC gasket (textile)                                                              | Rear angle                                   | Side panel connection                                                                                |
|-------------------------------------------------------------------------------|--------------|-------------------------------------------------------------------------------------------------------|------------------------------------------------------------------------------------------------------------------------------------------------------------|-----------------------------------------------------------------------------------|----------------------------------------------|------------------------------------------------------------------------------------------------------|
|                                                                               |              | <br>06107001                                                                                          | <br>06107001                                                                                                                                               | <br>04602054                                                                      | <br>BZA46573                                 | <br>BPA45867                                                                                         |
| <b>Height</b>                                                                 | <b>Depth</b> | for high mechanical demands, 19" bracket, tox-cold welded, Al, 2 mm, clear passivated, front anodised | for high mechanical demands, 19" bracket, tox-cold welded, Al, 2 mm, clear passivated, front anodised, please order front handles separately see page 6.25 | textile gasket, core: foam, sleeve: textile cladding with CuNi coating, UL 94 V-0 | Al extrusion, etched; for textile EMC gasket | Zn die-cast, incl. fixing material kit, for connecting two by two side panels (on top of each other) |
| <b>U</b>                                                                      | <b>mm</b>    | <b>PU 1 pair</b>                                                                                      | <b>PU 1 pair</b>                                                                                                                                           | <b>PU 10 pieces</b>                                                               | <b>PU 1 pair</b>                             | <b>PU 4 pieces</b>                                                                                   |
| 3                                                                             | 175          | 24564-145                                                                                             | 24566-145                                                                                                                                                  |                                                                                   |                                              |                                                                                                      |
| 3                                                                             | 235          | 24564-147                                                                                             | 24566-147                                                                                                                                                  |                                                                                   |                                              |                                                                                                      |
| 3                                                                             | 275 1)       | -                                                                                                     | -                                                                                                                                                          |                                                                                   |                                              |                                                                                                      |
| 3                                                                             | 277.75 2)    | -                                                                                                     | -                                                                                                                                                          |                                                                                   |                                              |                                                                                                      |
| 3                                                                             | 295          | 24564-149                                                                                             | 24566-149                                                                                                                                                  | 21101-853                                                                         | 24564-199                                    | 21101-954                                                                                            |
| 3                                                                             | 355          | 24564-151                                                                                             | 24566-151                                                                                                                                                  |                                                                                   |                                              |                                                                                                      |
| 3                                                                             | 415          | -                                                                                                     | -                                                                                                                                                          |                                                                                   |                                              |                                                                                                      |
| 3                                                                             | 475          | -                                                                                                     | -                                                                                                                                                          |                                                                                   |                                              |                                                                                                      |
| 4                                                                             | 175 3)       |                                                                                                       |                                                                                                                                                            |                                                                                   |                                              |                                                                                                      |
| 4                                                                             | 235 3)       |                                                                                                       |                                                                                                                                                            |                                                                                   |                                              |                                                                                                      |
| 4                                                                             | 295 3)       | -                                                                                                     | -                                                                                                                                                          |                                                                                   |                                              |                                                                                                      |
| 4                                                                             | 355 3)       |                                                                                                       |                                                                                                                                                            |                                                                                   |                                              |                                                                                                      |
| 4                                                                             | 415 3)       |                                                                                                       |                                                                                                                                                            |                                                                                   |                                              |                                                                                                      |
| 4                                                                             | 475 3)       |                                                                                                       |                                                                                                                                                            |                                                                                   |                                              |                                                                                                      |
| 6                                                                             | 175          | 24564-445                                                                                             | 24566-445                                                                                                                                                  |                                                                                   |                                              |                                                                                                      |
| 6                                                                             | 235          | 24564-447                                                                                             | 24566-447                                                                                                                                                  |                                                                                   |                                              |                                                                                                      |
| 6                                                                             | 275 1)       | -                                                                                                     | -                                                                                                                                                          |                                                                                   |                                              |                                                                                                      |
| 6                                                                             | 277.75 2)    | -                                                                                                     | -                                                                                                                                                          |                                                                                   |                                              |                                                                                                      |
| 6                                                                             | 295          | 24564-449                                                                                             | 24566-449                                                                                                                                                  | 21101-855                                                                         | 24564-499                                    | 21101-954                                                                                            |
| 6                                                                             | 355          | 24564-451                                                                                             | 24566-451                                                                                                                                                  |                                                                                   |                                              |                                                                                                      |
| 6                                                                             | 415          | -                                                                                                     | -                                                                                                                                                          |                                                                                   |                                              |                                                                                                      |
| 6                                                                             | 475          | -                                                                                                     | -                                                                                                                                                          |                                                                                   |                                              |                                                                                                      |
| 6                                                                             | 970          | -                                                                                                     | -                                                                                                                                                          |                                                                                   |                                              |                                                                                                      |
| 9                                                                             | 175          |                                                                                                       |                                                                                                                                                            |                                                                                   |                                              |                                                                                                      |
| 9                                                                             | 235          |                                                                                                       |                                                                                                                                                            |                                                                                   |                                              |                                                                                                      |
| 9                                                                             | 295          | -                                                                                                     | -                                                                                                                                                          |                                                                                   |                                              |                                                                                                      |
| 9                                                                             | 355          |                                                                                                       |                                                                                                                                                            |                                                                                   |                                              |                                                                                                      |
| 9                                                                             | 415          |                                                                                                       |                                                                                                                                                            |                                                                                   |                                              |                                                                                                      |
| Screw, M4 x 14, PU 100 pieces, for fastening horizontal rail to side panel    |              | 24560-130                                                                                             | 24560-130                                                                                                                                                  | -                                                                                 | 24560-130                                    | -                                                                                                    |
| Screw, M4 x 10, required if guide rails are screwed to slot 1, PU 100 pieces  |              | 24560-155                                                                                             | 24560-155                                                                                                                                                  | -                                                                                 | 24560-155                                    | -                                                                                                    |

1) CompactPCI 2) VME64x 3) Grid holes of side panel 3 + 1 U

## Subracks - *europac PRO* ServicePLUS

### Side panels type L

#### Order Information

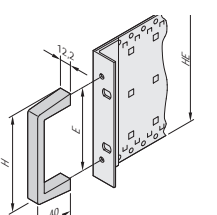
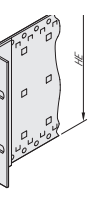
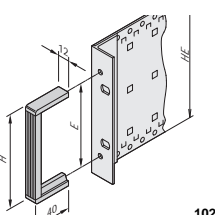
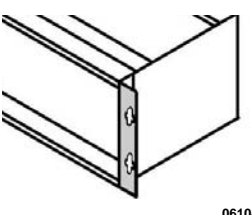
|  |           | <br>06197002<br>Al, 2 mm, passivated<br>06108062 | <br>BZA45810<br>for decorative finish of 19" bracket, Al, 2 mm, anodised | <br>06708055<br>M6 x 16, St, nickel-plated | <br>00508056<br>PPE, black | <br>BPA45867<br>Zn die-cast, incl. fixing material kit, for connecting two by two side panels (on top of each other) |
|----------------------------------------------------------------------------------|-----------|-----------------------------------------------------------------------------------------------------------------------------------|-----------------------------------------------------------------------------------------------------------------------------------------------------------|-----------------------------------------------------------------------------------------------------------------------------|-------------------------------------------------------------------------------------------------------------|-------------------------------------------------------------------------------------------------------------------------------------------------------------------------------------------------------|
| Height U                                                                         | Depth mm  | 1 piece                                                                                                                           |                                                                                                                                                           | PU 100 pieces                                                                                                               | PU 100 pieces                                                                                               | PU 4 pieces                                                                                                                                                                                           |
| 3                                                                                | 175       | 34561-185                                                                                                                         |                                                                                                                                                           |                                                                                                                             |                                                                                                             |                                                                                                                                                                                                       |
| 3                                                                                | 235       | 34561-187                                                                                                                         |                                                                                                                                                           |                                                                                                                             |                                                                                                             |                                                                                                                                                                                                       |
| 3                                                                                | 275 1)    | -                                                                                                                                 |                                                                                                                                                           |                                                                                                                             |                                                                                                             |                                                                                                                                                                                                       |
| 3                                                                                | 277.75 2) | -                                                                                                                                 |                                                                                                                                                           |                                                                                                                             |                                                                                                             |                                                                                                                                                                                                       |
| 3                                                                                | 295       | 34561-189                                                                                                                         | 34561-197                                                                                                                                                 | 21100-565                                                                                                                   | 21100-566                                                                                                   | 21101-954                                                                                                                                                                                             |
| 3                                                                                | 355       | -                                                                                                                                 |                                                                                                                                                           |                                                                                                                             |                                                                                                             |                                                                                                                                                                                                       |
| 3                                                                                | 415       | -                                                                                                                                 |                                                                                                                                                           |                                                                                                                             |                                                                                                             |                                                                                                                                                                                                       |
| 3                                                                                | 475       | -                                                                                                                                 |                                                                                                                                                           |                                                                                                                             |                                                                                                             |                                                                                                                                                                                                       |
| 4                                                                                | 175 3)    |                                                                                                                                   |                                                                                                                                                           |                                                                                                                             |                                                                                                             |                                                                                                                                                                                                       |
| 4                                                                                | 235 3)    |                                                                                                                                   |                                                                                                                                                           |                                                                                                                             |                                                                                                             |                                                                                                                                                                                                       |
| 4                                                                                | 295 3)    | -                                                                                                                                 | -                                                                                                                                                         | -                                                                                                                           | -                                                                                                           | -                                                                                                                                                                                                     |
| 4                                                                                | 355 3)    |                                                                                                                                   |                                                                                                                                                           |                                                                                                                             |                                                                                                             |                                                                                                                                                                                                       |
| 4                                                                                | 415 3)    |                                                                                                                                   |                                                                                                                                                           |                                                                                                                             |                                                                                                             |                                                                                                                                                                                                       |
| 4                                                                                | 475 3)    |                                                                                                                                   |                                                                                                                                                           |                                                                                                                             |                                                                                                             |                                                                                                                                                                                                       |
| 6                                                                                | 175       | 34561-485                                                                                                                         |                                                                                                                                                           |                                                                                                                             |                                                                                                             |                                                                                                                                                                                                       |
| 6                                                                                | 235       | 34561-487                                                                                                                         |                                                                                                                                                           |                                                                                                                             |                                                                                                             |                                                                                                                                                                                                       |
| 6                                                                                | 275 1)    | -                                                                                                                                 |                                                                                                                                                           |                                                                                                                             |                                                                                                             |                                                                                                                                                                                                       |
| 6                                                                                | 277.75 2) | -                                                                                                                                 |                                                                                                                                                           |                                                                                                                             |                                                                                                             |                                                                                                                                                                                                       |
| 6                                                                                | 295       | 34561-489                                                                                                                         | 34561-497                                                                                                                                                 | 21100-565                                                                                                                   | 21100-566                                                                                                   | 21101-954                                                                                                                                                                                             |
| 6                                                                                | 355       | -                                                                                                                                 |                                                                                                                                                           |                                                                                                                             |                                                                                                             |                                                                                                                                                                                                       |
| 6                                                                                | 415       | -                                                                                                                                 |                                                                                                                                                           |                                                                                                                             |                                                                                                             |                                                                                                                                                                                                       |
| 6                                                                                | 475       | -                                                                                                                                 |                                                                                                                                                           |                                                                                                                             |                                                                                                             |                                                                                                                                                                                                       |
| 6                                                                                | 970       | -                                                                                                                                 |                                                                                                                                                           |                                                                                                                             |                                                                                                             |                                                                                                                                                                                                       |
| 9                                                                                | 175       |                                                                                                                                   |                                                                                                                                                           |                                                                                                                             |                                                                                                             |                                                                                                                                                                                                       |
| 9                                                                                | 235       |                                                                                                                                   |                                                                                                                                                           |                                                                                                                             |                                                                                                             |                                                                                                                                                                                                       |
| 9                                                                                | 295       | -                                                                                                                                 | -                                                                                                                                                         | -                                                                                                                           | -                                                                                                           | -                                                                                                                                                                                                     |
| 9                                                                                | 355       |                                                                                                                                   |                                                                                                                                                           |                                                                                                                             |                                                                                                             |                                                                                                                                                                                                       |
| 9                                                                                | 415       |                                                                                                                                   |                                                                                                                                                           |                                                                                                                             |                                                                                                             |                                                                                                                                                                                                       |
| Screw, M4 x 14, PU 100 pieces, for fastening horizontal rail to side panel       |           | 24560-130                                                                                                                         | -                                                                                                                                                         | -                                                                                                                           | -                                                                                                           | -                                                                                                                                                                                                     |
| Screw, M4 x 10, required if guide rails are screwed to slot 1, PU 100 pieces     |           | 24560-155                                                                                                                         | -                                                                                                                                                         | -                                                                                                                           | -                                                                                                           | -                                                                                                                                                                                                     |

1) CompactPCI 2) VME64x 3) Grid holes of side panel 3 + 1 U

## Subracks - *europac* **PRO** ServicePLUS

Front handles, wall-mounting brackets

### Order Information

|                               |        |     |       | Front handle                                                                                                                                            |                                                                                               | Universal front handle                                                                                                                                                                                                                     | Wall-mounting bracket                                                                                                                                                          |
|-------------------------------|--------|-----|-------|---------------------------------------------------------------------------------------------------------------------------------------------------------|-----------------------------------------------------------------------------------------------|--------------------------------------------------------------------------------------------------------------------------------------------------------------------------------------------------------------------------------------------|--------------------------------------------------------------------------------------------------------------------------------------------------------------------------------|
|                               |        |     |       | clear anodised                                                                                                                                          | black anodised                                                                                |                                                                                                                                                                                                                                            |                                                                                                                                                                                |
|                               |        |     |       | <br>Al extrusion, anodised<br>load-carrying capacity 30 kg<br>06102068 | <br>06102068 | <br>3 parts: Al extrusion,<br>clear anodised,<br>2 end pieces, plastic, PA, black;<br>width 12 mm, depth 40 mm<br>load-carrying capacity 10 kg<br>102069 | <br>Al, 2.5 mm, passivated;<br>bolted to subrack in place of<br>the 19" bracket<br>06104063 |
| Height                        | Depth  | H   | E     | 1 piece (SPQ 10) <sup>1)</sup>                                                                                                                          | 1 piece (SPQ 10) <sup>1)</sup>                                                                | 1 piece (SPQ 10) <sup>1)</sup>                                                                                                                                                                                                             | PU 1 pair                                                                                                                                                                      |
| U                             | mm     | mm  | mm    |                                                                                                                                                         |                                                                                               |                                                                                                                                                                                                                                            |                                                                                                                                                                                |
| 3                             | 175    | 102 | 88.0  | 10501-005                                                                                                                                               | 10501-026                                                                                     | 10502-057                                                                                                                                                                                                                                  | 24562-197                                                                                                                                                                      |
| 3                             | 235    | 102 | 88.0  |                                                                                                                                                         |                                                                                               |                                                                                                                                                                                                                                            |                                                                                                                                                                                |
| 3                             | 275    | 102 | 88.0  |                                                                                                                                                         |                                                                                               |                                                                                                                                                                                                                                            |                                                                                                                                                                                |
| 3                             | 277.75 | 102 | 88.0  |                                                                                                                                                         |                                                                                               |                                                                                                                                                                                                                                            |                                                                                                                                                                                |
| 3                             | 295    | 102 | 88.0  |                                                                                                                                                         |                                                                                               |                                                                                                                                                                                                                                            |                                                                                                                                                                                |
| 3                             | 355    | 102 | 88.0  |                                                                                                                                                         |                                                                                               |                                                                                                                                                                                                                                            |                                                                                                                                                                                |
| 3                             | 415    | 102 | 88.0  | 10501-018                                                                                                                                               | -                                                                                             | 10502-060                                                                                                                                                                                                                                  | 24562-297                                                                                                                                                                      |
| 3                             | 475    | 102 | 88.0  |                                                                                                                                                         |                                                                                               |                                                                                                                                                                                                                                            |                                                                                                                                                                                |
| 4                             | 175    | 146 | 133.4 |                                                                                                                                                         |                                                                                               |                                                                                                                                                                                                                                            |                                                                                                                                                                                |
| 4                             | 235    | 146 | 133.4 |                                                                                                                                                         |                                                                                               |                                                                                                                                                                                                                                            |                                                                                                                                                                                |
| 4                             | 295    | 146 | 133.4 |                                                                                                                                                         |                                                                                               |                                                                                                                                                                                                                                            |                                                                                                                                                                                |
| 4                             | 355    | 146 | 133.4 |                                                                                                                                                         |                                                                                               |                                                                                                                                                                                                                                            |                                                                                                                                                                                |
| 4                             | 415    | 146 | 133.4 | 10501-008                                                                                                                                               | 10501-029                                                                                     | 10502-065                                                                                                                                                                                                                                  | 24562-497                                                                                                                                                                      |
| 4                             | 475    | 146 | 133.4 |                                                                                                                                                         |                                                                                               |                                                                                                                                                                                                                                            |                                                                                                                                                                                |
| 6                             | 175    | 249 | 235.0 |                                                                                                                                                         |                                                                                               |                                                                                                                                                                                                                                            |                                                                                                                                                                                |
| 6                             | 235    | 249 | 235.0 |                                                                                                                                                         |                                                                                               |                                                                                                                                                                                                                                            |                                                                                                                                                                                |
| 6                             | 275    | 249 | 235.0 |                                                                                                                                                         |                                                                                               |                                                                                                                                                                                                                                            |                                                                                                                                                                                |
| 6                             | 277.75 | 249 | 235.0 |                                                                                                                                                         |                                                                                               |                                                                                                                                                                                                                                            |                                                                                                                                                                                |
| 6                             | 295    | 249 | 235.0 | 10501-008                                                                                                                                               | 10501-029                                                                                     | 10502-065                                                                                                                                                                                                                                  | 24562-797                                                                                                                                                                      |
| 6                             | 355    | 249 | 235.0 |                                                                                                                                                         |                                                                                               |                                                                                                                                                                                                                                            |                                                                                                                                                                                |
| 6                             | 415    | 249 | 235.0 |                                                                                                                                                         |                                                                                               |                                                                                                                                                                                                                                            |                                                                                                                                                                                |
| 6                             | 475    | 249 | 235.0 |                                                                                                                                                         |                                                                                               |                                                                                                                                                                                                                                            |                                                                                                                                                                                |
| 6                             | 970    | 249 | 235.0 |                                                                                                                                                         |                                                                                               |                                                                                                                                                                                                                                            |                                                                                                                                                                                |
| 9                             | 175    | 249 | 235.0 |                                                                                                                                                         |                                                                                               |                                                                                                                                                                                                                                            |                                                                                                                                                                                |
| 9                             | 235    | 249 | 235.0 |                                                                                                                                                         |                                                                                               |                                                                                                                                                                                                                                            |                                                                                                                                                                                |
| 9                             | 295    | 249 | 235.0 |                                                                                                                                                         |                                                                                               |                                                                                                                                                                                                                                            |                                                                                                                                                                                |
| 9                             | 355    | 249 | 235.0 |                                                                                                                                                         |                                                                                               |                                                                                                                                                                                                                                            |                                                                                                                                                                                |
| 9                             | 415    | 249 | 235.0 |                                                                                                                                                         |                                                                                               |                                                                                                                                                                                                                                            |                                                                                                                                                                                |
| Screw M5 x 12, PU 100 pieces  |        |     |       | 24560-183                                                                                                                                               | 24560-183                                                                                     | 24560-183                                                                                                                                                                                                                                  | -                                                                                                                                                                              |
| Screw M5 x 12, PU 4 pieces    |        |     |       | 24560-182                                                                                                                                               | 24560-182                                                                                     | 24560-182                                                                                                                                                                                                                                  | -                                                                                                                                                                              |
| Screw, M4 x 14, PU 100 pieces |        |     |       | -                                                                                                                                                       | -                                                                                             | -                                                                                                                                                                                                                                          | 24560-130                                                                                                                                                                      |

1) SPQ (standard pack quantity): Part number includes 1 piece, but delivery is exclusively made in standard pack quantity (SPQ); please order at least the SPQ quantity or a multiple



Horizontal rails



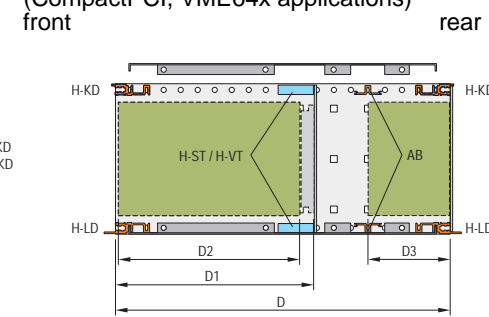
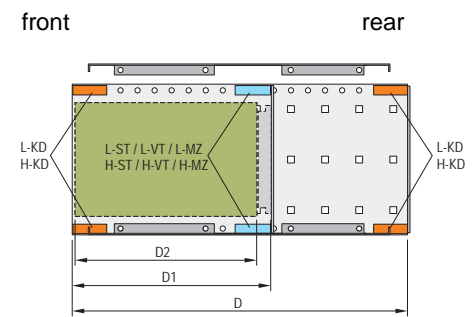
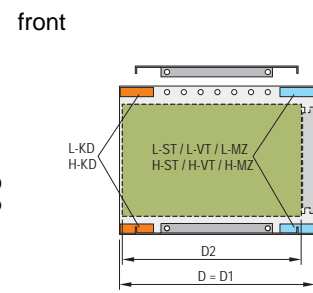
- Aluminium profile, surface anodised, conductive contact surfaces for EMC gaskets
- The horizontal rail is marked with sequential numbering (for sizes > 28 HP) to facilitate positioning of the guide rails
- Horizontal rails are fixed to the side panel using M4 bolts with torx 20 drive
- There are 3 different horizontal rails for different loading levels
  - light, for up to 7.5 kg
  - heavy, for 7.5 kg to 15 kg
  - rugged, for 15 kg to approx. 60 kg

Mounting position of the horizontal rails

PCB as deep as side panel

Cabling space behind backplane

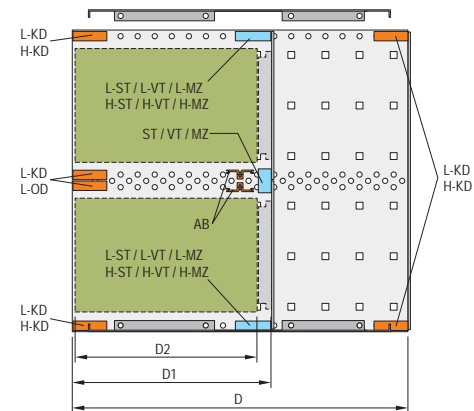
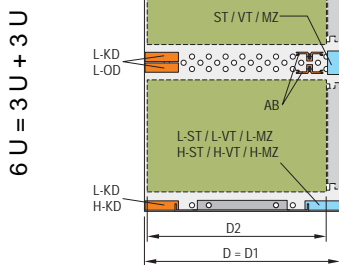
Rear I/O installation  
(CompactPCI, VME64x applications)



160, 220, 280 mm, ....

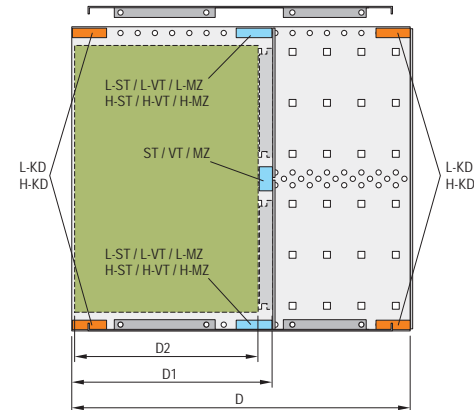
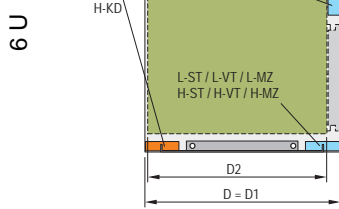
160, 220, 280 mm, ....

160 mm/80 mm



160, 220, 280 mm, ....

160, 220, 280 mm, ....



160, 220, 280 mm, ....

160, 220, 280 mm, ....

160 mm/80 mm

Front horizontal rails

Assembly 3 U, 2 x 3 U, 6 U

"light" (L)

"heavy" (H)

"heavy" (H)



06197007

06197008

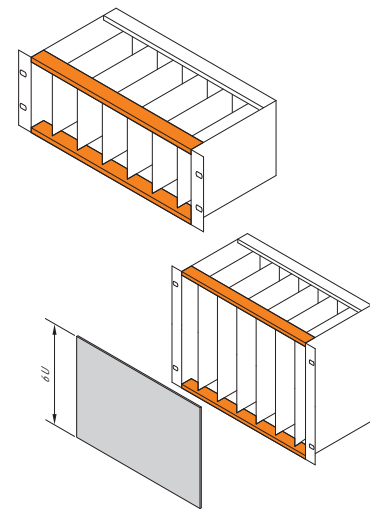
06197009

Short lip

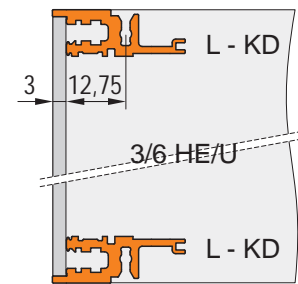
Short lip

Long lip

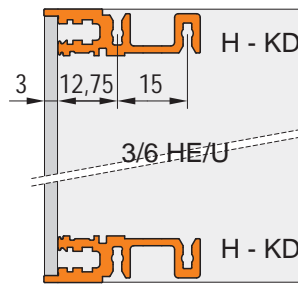
3 U/6 U



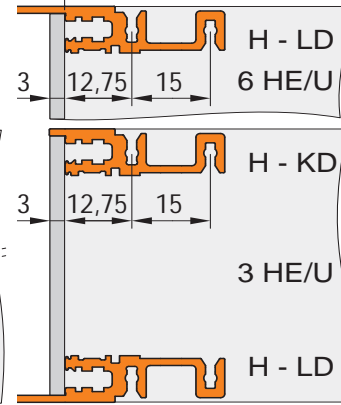
bza44980 bza44974



06105060

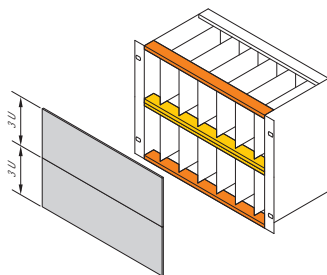


06105061

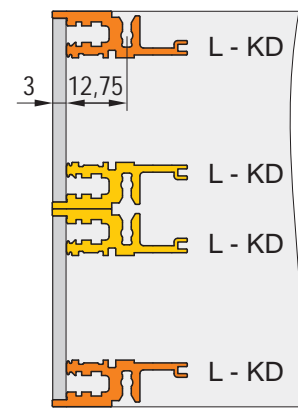


06108063

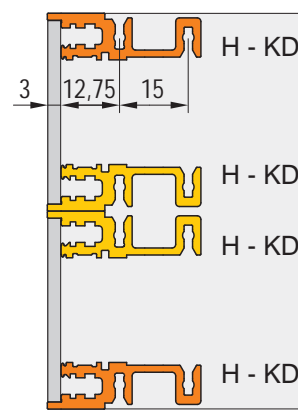
2 x 3 U



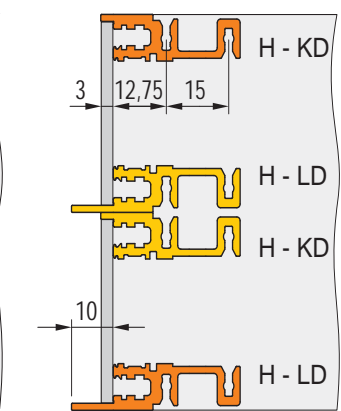
bza44972



06105062

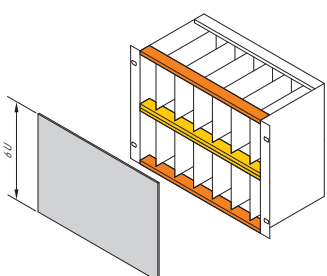


06105063

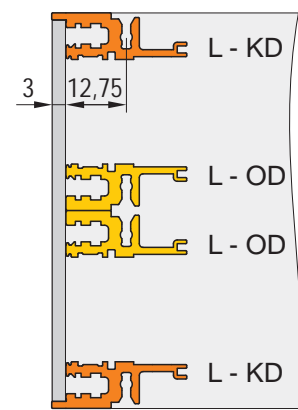


06108064

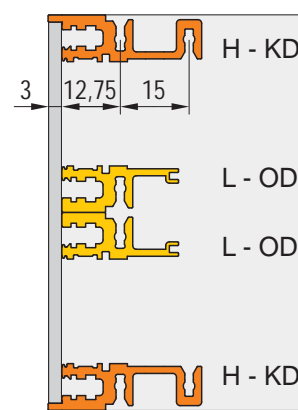
2 x 3 U, 6 U



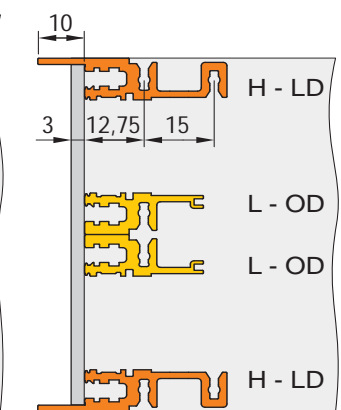
06105059



06105064



06105065

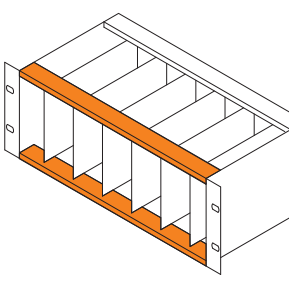






06108065

L-OD = Light - without lip, L-KD = Light - short lip, H-KD = Heavy - short lip, H-LD = Heavy - long lip

Front horizontal rails

Order Information

|  <p>bza44980</p> <p>With HP markings from 28 HP, Al extrusion, anodised finish, conductive contact surface</p> | <p><b>"light"</b><br/>Type L-OD<br/>without lip</p>  <p>06197006</p> <p>Al extrusion, anodised finish, conductive contact surface, with printed HP markings</p> <p>without lip:<br/>2 x 3 U installation and continuous 6 U front panel</p> <p><b>1 piece (SPQ 10)<sup>1)</sup></b></p>                                                                                                                                                                                                                                                                                                                                                                                                                                                                                                                                                                                                                                                                                                                                                                                                                                                                                                                                                                                                                                                       | <p><b>"light"</b><br/>Type L-KD<br/>short lip</p>  <p>06197007</p> <p>Al extrusion, anodised finish, conductive contact surface, with printed HP markings</p> <p>short lip:<br/>horizontal rail and front panel form a single plane</p> <p><b>1 piece (SPQ 10)<sup>1)</sup></b></p> | <p><b>"heavy"</b><br/>Type H-KD<br/>short lip</p>  <p>06197008</p> <p>Al extrusion, anodised finish, conductive contact surface, with printed HP markings</p> <p>short lip:<br/>horizontal rail and front panel form a single plane</p> <p><b>1 piece (SPQ 10)<sup>1)</sup></b></p> | <p><b>With long lip for insertion/extraction of CompactPCI and VME64x boards</b></p> <p><b>"heavy"</b><br/>Type H-LD<br/>long lip</p>  <p>06197009</p> <p>Al extrusion, anodised finish, conductive contact surface, with printed HP markings</p> <p>long lip:<br/>for insertion/extraction of CompactPCI or VME64x boards</p> <p><b>1 piece (SPQ 10)<sup>1)</sup></b></p> |           |  |  |    |        |           |           |           |           |    |        |           |           |           |           |    |        |           |           |           |           |    |        |           |           |           |           |    |        |           |           |           |           |    |        |           |           |           |           |   |      |           |           |           |           |                               |  |           |           |           |           |                                                                              |  |   |   |           |           |                           |  |      |      |      |      |  |  |
|-------------------------------------------------------------------------------------------------------------------------------------------------------------------------------------------------|--------------------------------------------------------------------------------------------------------------------------------------------------------------------------------------------------------------------------------------------------------------------------------------------------------------------------------------------------------------------------------------------------------------------------------------------------------------------------------------------------------------------------------------------------------------------------------------------------------------------------------------------------------------------------------------------------------------------------------------------------------------------------------------------------------------------------------------------------------------------------------------------------------------------------------------------------------------------------------------------------------------------------------------------------------------------------------------------------------------------------------------------------------------------------------------------------------------------------------------------------------------------------------------------------------------------------------------------------------------------------------------------------------------------------------|----------------------------------------------------------------------------------------------------------------------------------------------------------------------------------------------------------------------------------------------------------------------------------------------------------------------------------------------------------------------|-----------------------------------------------------------------------------------------------------------------------------------------------------------------------------------------------------------------------------------------------------------------------------------------------------------------------------------------------------------------------|---------------------------------------------------------------------------------------------------------------------------------------------------------------------------------------------------------------------------------------------------------------------------------------------------------------------------------------------------------------------------------------------------------------------------------------------------------------|-----------|--|--|----|--------|-----------|-----------|-----------|-----------|----|--------|-----------|-----------|-----------|-----------|----|--------|-----------|-----------|-----------|-----------|----|--------|-----------|-----------|-----------|-----------|----|--------|-----------|-----------|-----------|-----------|----|--------|-----------|-----------|-----------|-----------|---|------|-----------|-----------|-----------|-----------|-------------------------------|--|-----------|-----------|-----------|-----------|------------------------------------------------------------------------------|--|---|---|-----------|-----------|---------------------------|--|------|------|------|------|--|--|
|                                                                                                                                                                                                 | <table border="1"> <thead> <tr> <th>Usable length HP</th> <th>Length mm</th> <th></th> <th></th> <th></th> <th></th> </tr> </thead> <tbody> <tr> <td>20</td> <td>106.68</td> <td>34560-020</td> <td>34560-120</td> <td>34560-220</td> <td>34560-320</td> </tr> <tr> <td>28</td> <td>147.32</td> <td>34560-028</td> <td>34560-128</td> <td>34560-228</td> <td>34560-328</td> </tr> <tr> <td>40</td> <td>208.28</td> <td>34560-040</td> <td>34560-140</td> <td>34560-240</td> <td>34560-340</td> </tr> <tr> <td>42</td> <td>218.44</td> <td>34560-042</td> <td>34560-142</td> <td>34560-242</td> <td>34560-342</td> </tr> <tr> <td>63</td> <td>325.12</td> <td>34560-063</td> <td>34560-163</td> <td>34560-263</td> <td>34560-363</td> </tr> <tr> <td>84</td> <td>431.80</td> <td>34560-084</td> <td>34560-184</td> <td>34560-284</td> <td>34560-384</td> </tr> <tr> <td>—</td> <td>1000</td> <td>34560-001</td> <td>34560-101</td> <td>34560-201</td> <td>34560-301</td> </tr> <tr> <td>Screw, M4 x 14, PU 100 pieces</td> <td></td> <td>24560-130</td> <td>24560-130</td> <td>24560-130</td> <td>24560-130</td> </tr> <tr> <td>Screw, M4 x 10, required if guide rails are screwed to slot 1, PU 100 pieces</td> <td></td> <td>—</td> <td>—</td> <td>24560-155</td> <td>24560-155</td> </tr> <tr> <td>Threaded inserts see page</td> <td></td> <td>6.33</td> <td>6.33</td> <td>6.33</td> <td>6.33</td> </tr> </tbody> </table> | Usable length HP                                                                                                                                                                                                                                                                                                                                                     | Length mm                                                                                                                                                                                                                                                                                                                                                             |                                                                                                                                                                                                                                                                                                                                                                                                                                                               |           |  |  | 20 | 106.68 | 34560-020 | 34560-120 | 34560-220 | 34560-320 | 28 | 147.32 | 34560-028 | 34560-128 | 34560-228 | 34560-328 | 40 | 208.28 | 34560-040 | 34560-140 | 34560-240 | 34560-340 | 42 | 218.44 | 34560-042 | 34560-142 | 34560-242 | 34560-342 | 63 | 325.12 | 34560-063 | 34560-163 | 34560-263 | 34560-363 | 84 | 431.80 | 34560-084 | 34560-184 | 34560-284 | 34560-384 | — | 1000 | 34560-001 | 34560-101 | 34560-201 | 34560-301 | Screw, M4 x 14, PU 100 pieces |  | 24560-130 | 24560-130 | 24560-130 | 24560-130 | Screw, M4 x 10, required if guide rails are screwed to slot 1, PU 100 pieces |  | — | — | 24560-155 | 24560-155 | Threaded inserts see page |  | 6.33 | 6.33 | 6.33 | 6.33 |  |  |
| Usable length HP                                                                                                                                                                                | Length mm                                                                                                                                                                                                                                                                                                                                                                                                                                                                                                                                                                                                                                                                                                                                                                                                                                                                                                                                                                                                                                                                                                                                                                                                                                                                                                                                                                                                                      |                                                                                                                                                                                                                                                                                                                                                                      |                                                                                                                                                                                                                                                                                                                                                                       |                                                                                                                                                                                                                                                                                                                                                                                                                                                               |           |  |  |    |        |           |           |           |           |    |        |           |           |           |           |    |        |           |           |           |           |    |        |           |           |           |           |    |        |           |           |           |           |    |        |           |           |           |           |   |      |           |           |           |           |                               |  |           |           |           |           |                                                                              |  |   |   |           |           |                           |  |      |      |      |      |  |  |
| 20                                                                                                                                                                                              | 106.68                                                                                                                                                                                                                                                                                                                                                                                                                                                                                                                                                                                                                                                                                                                                                                                                                                                                                                                                                                                                                                                                                                                                                                                                                                                                                                                                                                                                                         | 34560-020                                                                                                                                                                                                                                                                                                                                                            | 34560-120                                                                                                                                                                                                                                                                                                                                                             | 34560-220                                                                                                                                                                                                                                                                                                                                                                                                                                                     | 34560-320 |  |  |    |        |           |           |           |           |    |        |           |           |           |           |    |        |           |           |           |           |    |        |           |           |           |           |    |        |           |           |           |           |    |        |           |           |           |           |   |      |           |           |           |           |                               |  |           |           |           |           |                                                                              |  |   |   |           |           |                           |  |      |      |      |      |  |  |
| 28                                                                                                                                                                                              | 147.32                                                                                                                                                                                                                                                                                                                                                                                                                                                                                                                                                                                                                                                                                                                                                                                                                                                                                                                                                                                                                                                                                                                                                                                                                                                                                                                                                                                                                         | 34560-028                                                                                                                                                                                                                                                                                                                                                            | 34560-128                                                                                                                                                                                                                                                                                                                                                             | 34560-228                                                                                                                                                                                                                                                                                                                                                                                                                                                     | 34560-328 |  |  |    |        |           |           |           |           |    |        |           |           |           |           |    |        |           |           |           |           |    |        |           |           |           |           |    |        |           |           |           |           |    |        |           |           |           |           |   |      |           |           |           |           |                               |  |           |           |           |           |                                                                              |  |   |   |           |           |                           |  |      |      |      |      |  |  |
| 40                                                                                                                                                                                              | 208.28                                                                                                                                                                                                                                                                                                                                                                                                                                                                                                                                                                                                                                                                                                                                                                                                                                                                                                                                                                                                                                                                                                                                                                                                                                                                                                                                                                                                                         | 34560-040                                                                                                                                                                                                                                                                                                                                                            | 34560-140                                                                                                                                                                                                                                                                                                                                                             | 34560-240                                                                                                                                                                                                                                                                                                                                                                                                                                                     | 34560-340 |  |  |    |        |           |           |           |           |    |        |           |           |           |           |    |        |           |           |           |           |    |        |           |           |           |           |    |        |           |           |           |           |    |        |           |           |           |           |   |      |           |           |           |           |                               |  |           |           |           |           |                                                                              |  |   |   |           |           |                           |  |      |      |      |      |  |  |
| 42                                                                                                                                                                                              | 218.44                                                                                                                                                                                                                                                                                                                                                                                                                                                                                                                                                                                                                                                                                                                                                                                                                                                                                                                                                                                                                                                                                                                                                                                                                                                                                                                                                                                                                         | 34560-042                                                                                                                                                                                                                                                                                                                                                            | 34560-142                                                                                                                                                                                                                                                                                                                                                             | 34560-242                                                                                                                                                                                                                                                                                                                                                                                                                                                     | 34560-342 |  |  |    |        |           |           |           |           |    |        |           |           |           |           |    |        |           |           |           |           |    |        |           |           |           |           |    |        |           |           |           |           |    |        |           |           |           |           |   |      |           |           |           |           |                               |  |           |           |           |           |                                                                              |  |   |   |           |           |                           |  |      |      |      |      |  |  |
| 63                                                                                                                                                                                              | 325.12                                                                                                                                                                                                                                                                                                                                                                                                                                                                                                                                                                                                                                                                                                                                                                                                                                                                                                                                                                                                                                                                                                                                                                                                                                                                                                                                                                                                                         | 34560-063                                                                                                                                                                                                                                                                                                                                                            | 34560-163                                                                                                                                                                                                                                                                                                                                                             | 34560-263                                                                                                                                                                                                                                                                                                                                                                                                                                                     | 34560-363 |  |  |    |        |           |           |           |           |    |        |           |           |           |           |    |        |           |           |           |           |    |        |           |           |           |           |    |        |           |           |           |           |    |        |           |           |           |           |   |      |           |           |           |           |                               |  |           |           |           |           |                                                                              |  |   |   |           |           |                           |  |      |      |      |      |  |  |
| 84                                                                                                                                                                                              | 431.80                                                                                                                                                                                                                                                                                                                                                                                                                                                                                                                                                                                                                                                                                                                                                                                                                                                                                                                                                                                                                                                                                                                                                                                                                                                                                                                                                                                                                         | 34560-084                                                                                                                                                                                                                                                                                                                                                            | 34560-184                                                                                                                                                                                                                                                                                                                                                             | 34560-284                                                                                                                                                                                                                                                                                                                                                                                                                                                     | 34560-384 |  |  |    |        |           |           |           |           |    |        |           |           |           |           |    |        |           |           |           |           |    |        |           |           |           |           |    |        |           |           |           |           |    |        |           |           |           |           |   |      |           |           |           |           |                               |  |           |           |           |           |                                                                              |  |   |   |           |           |                           |  |      |      |      |      |  |  |
| —                                                                                                                                                                                               | 1000                                                                                                                                                                                                                                                                                                                                                                                                                                                                                                                                                                                                                                                                                                                                                                                                                                                                                                                                                                                                                                                                                                                                                                                                                                                                                                                                                                                                                           | 34560-001                                                                                                                                                                                                                                                                                                                                                            | 34560-101                                                                                                                                                                                                                                                                                                                                                             | 34560-201                                                                                                                                                                                                                                                                                                                                                                                                                                                     | 34560-301 |  |  |    |        |           |           |           |           |    |        |           |           |           |           |    |        |           |           |           |           |    |        |           |           |           |           |    |        |           |           |           |           |    |        |           |           |           |           |   |      |           |           |           |           |                               |  |           |           |           |           |                                                                              |  |   |   |           |           |                           |  |      |      |      |      |  |  |
| Screw, M4 x 14, PU 100 pieces                                                                                                                                                                   |                                                                                                                                                                                                                                                                                                                                                                                                                                                                                                                                                                                                                                                                                                                                                                                                                                                                                                                                                                                                                                                                                                                                                                                                                                                                                                                                                                                                                                | 24560-130                                                                                                                                                                                                                                                                                                                                                            | 24560-130                                                                                                                                                                                                                                                                                                                                                             | 24560-130                                                                                                                                                                                                                                                                                                                                                                                                                                                     | 24560-130 |  |  |    |        |           |           |           |           |    |        |           |           |           |           |    |        |           |           |           |           |    |        |           |           |           |           |    |        |           |           |           |           |    |        |           |           |           |           |   |      |           |           |           |           |                               |  |           |           |           |           |                                                                              |  |   |   |           |           |                           |  |      |      |      |      |  |  |
| Screw, M4 x 10, required if guide rails are screwed to slot 1, PU 100 pieces                                                                                                                    |                                                                                                                                                                                                                                                                                                                                                                                                                                                                                                                                                                                                                                                                                                                                                                                                                                                                                                                                                                                                                                                                                                                                                                                                                                                                                                                                                                                                                                | —                                                                                                                                                                                                                                                                                                                                                                    | —                                                                                                                                                                                                                                                                                                                                                                     | 24560-155                                                                                                                                                                                                                                                                                                                                                                                                                                                     | 24560-155 |  |  |    |        |           |           |           |           |    |        |           |           |           |           |    |        |           |           |           |           |    |        |           |           |           |           |    |        |           |           |           |           |    |        |           |           |           |           |   |      |           |           |           |           |                               |  |           |           |           |           |                                                                              |  |   |   |           |           |                           |  |      |      |      |      |  |  |
| Threaded inserts see page                                                                                                                                                                       |                                                                                                                                                                                                                                                                                                                                                                                                                                                                                                                                                                                                                                                                                                                                                                                                                                                                                                                                                                                                                                                                                                                                                                                                                                                                                                                                                                                                                                | 6.33                                                                                                                                                                                                                                                                                                                                                                 | 6.33                                                                                                                                                                                                                                                                                                                                                                  | 6.33                                                                                                                                                                                                                                                                                                                                                                                                                                                          | 6.33      |  |  |    |        |           |           |           |           |    |        |           |           |           |           |    |        |           |           |           |           |    |        |           |           |           |           |    |        |           |           |           |           |    |        |           |           |           |           |   |      |           |           |           |           |                               |  |           |           |           |           |                                                                              |  |   |   |           |           |                           |  |      |      |      |      |  |  |

1) SPQ (standard pack quantity): Part number includes 1 piece, but delivery is exclusively made in standard pack quantity (SPQ); please order at least the SPQ quantity or a multiple  
 "light": loading capacity up to approx. 7.5 kg; "heavy": loading capacity > 7.5 kg

**Note**

- 1000 mm version without M4 thread to front, without printed markings and without notch for 19"-bracket
- Rugged horizontal rails with 3 fixing holes see section "Rugged Subracks", page 6.99



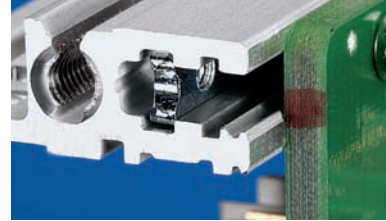
Rear horizontal rails

Indirect backplane mounting  
(with insulation strip)



04400001

Direct backplane mounting

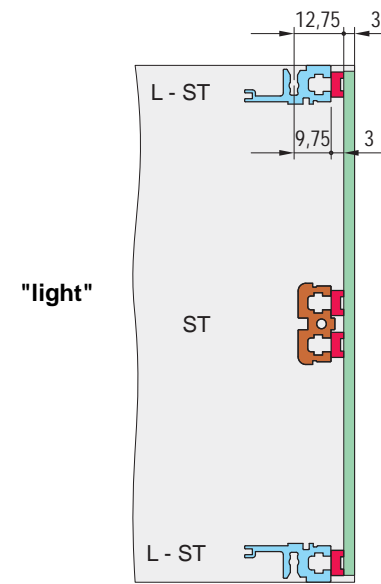


04400002

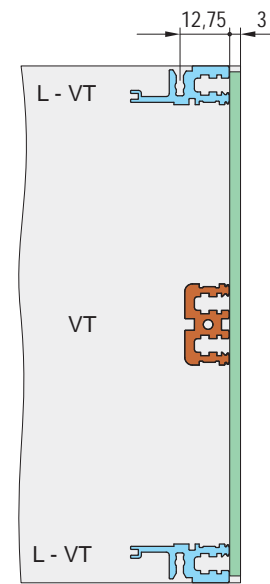
Connector fitting with Z



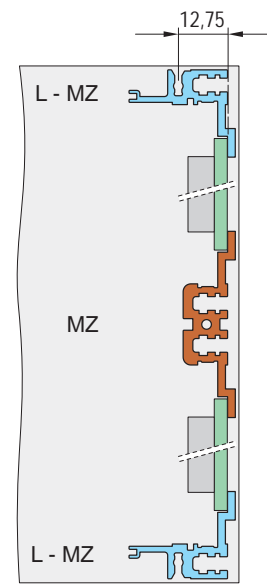
04400003



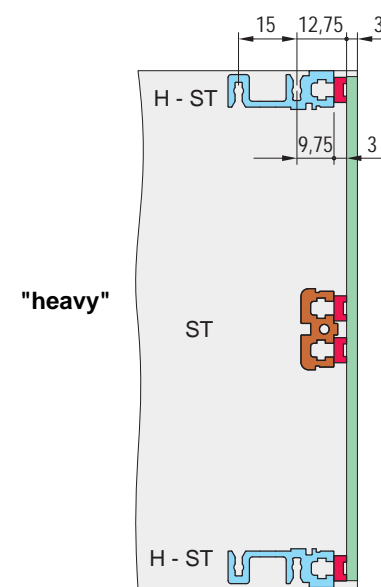
06105072



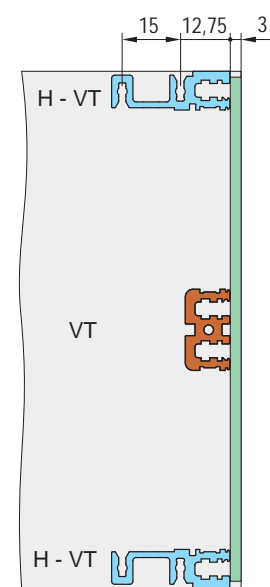
06105073



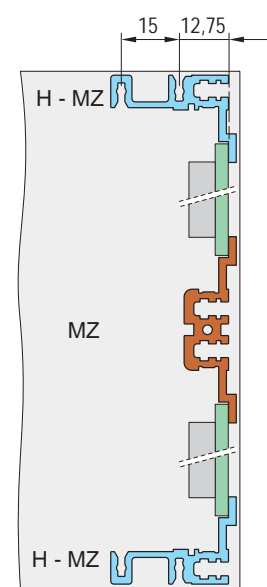
06105071



06108066



06108067



06108068

ST = standard, L = light, H = heavy

VT = depth-offset, L = light, H = heavy

MZ = with Z-rail, L = light, H = heavy

Order Information

| Usable length<br>HP                                                          | Length<br>mm | For indirect backplane mounting<br>with insulation strip                             |                                                                                      | For direct backplane mounting                                                        |                                                                                      | For direct fixing of connectors in<br>accordance with<br>EN 60603-2 (DIN 41612)      |                                                                                      |
|------------------------------------------------------------------------------|--------------|--------------------------------------------------------------------------------------|--------------------------------------------------------------------------------------|--------------------------------------------------------------------------------------|--------------------------------------------------------------------------------------|--------------------------------------------------------------------------------------|--------------------------------------------------------------------------------------|
|                                                                              |              | "light"<br>Type L-ST<br>standard                                                     | "heavy"<br>Type H-ST<br>standard                                                     | "light"<br>Type L-VT<br>+ 3 mm                                                       | "heavy"<br>Type H-VT<br>+ 3 mm                                                       | "light"<br>Type L-MZ<br>with Z-rail                                                  | "heavy"<br>Type H-MZ<br>with Z-rail                                                  |
|                                                                              |              | Al extrusion, anodised surface, conductive contact surface, with printed HP markings | Al extrusion, anodised surface, conductive contact surface, with printed HP markings | Al extrusion, anodised surface, conductive contact surface, with printed HP markings | Al extrusion, anodised surface, conductive contact surface, with printed HP markings | Al extrusion, anodised surface, conductive contact surface, with printed HP markings | Al extrusion, anodised surface, conductive contact surface, with printed HP markings |
|                                                                              |              | <b>1 piece (SPQ 10)<sup>1)</sup></b>                                                 | <b>1 piece (SPQ 10)<sup>1)</sup></b>                                                 | <b>1 piece (SPQ 10)<sup>1)</sup></b>                                                 | <b>1 piece (SPQ 10)<sup>1)</sup></b>                                                 | <b>1 piece (SPQ 10)<sup>1)</sup></b>                                                 | <b>1 piece (SPQ 10)<sup>1)</sup></b>                                                 |
| 20                                                                           | 106.68       | 34560-420                                                                            | 34560-520                                                                            | 34560-620                                                                            | 34560-720                                                                            | 34560-820                                                                            | 34560-920                                                                            |
| 28                                                                           | 147.32       | 34560-428                                                                            | 34560-528                                                                            | 34560-628                                                                            | 34560-728                                                                            | 34560-828                                                                            | 34560-928                                                                            |
| 40                                                                           | 208.28       | 34560-440                                                                            | 34560-540                                                                            | 34560-640                                                                            | 34560-740                                                                            | 34560-840                                                                            | 34560-940                                                                            |
| 42                                                                           | 218.44       | 34560-442                                                                            | 34560-542                                                                            | 34560-642                                                                            | 34560-742                                                                            | 34560-842                                                                            | 34560-942                                                                            |
| 63                                                                           | 325.12       | 34560-463                                                                            | 34560-563                                                                            | 34560-663                                                                            | 34560-763                                                                            | 34560-863                                                                            | 34560-963                                                                            |
| 84                                                                           | 431.80       | 34560-484                                                                            | 34560-584                                                                            | 34560-684                                                                            | 34560-784                                                                            | 34560-884                                                                            | 34560-984                                                                            |
| —                                                                            | 1000         | 34560-401                                                                            | 34560-501                                                                            | 34560-601                                                                            | 34560-701                                                                            | 34560-801                                                                            | —                                                                                    |
| Screw, M4 x 14, PU 100 pieces, for fastening horizontal rail to side panel   |              | 24560-130                                                                            | 24560-130                                                                            | 24560-130                                                                            | 24560-130                                                                            | 24560-130                                                                            | 24560-130                                                                            |
| Screw, M4 x 10, required if guide rails are screwed to slot 1, PU 100 pieces |              | —                                                                                    | 24560-155                                                                            | —                                                                                    | 24560-155                                                                            | —                                                                                    | 24560-155                                                                            |
| Perforated rail for connector mounting with insulation strip see page        |              | 6.34                                                                                 | 6.34                                                                                 | —                                                                                    | —                                                                                    | —                                                                                    | —                                                                                    |
| Z-rail for connector mounting without insulation strip see page              |              | 6.34                                                                                 | 6.34                                                                                 | —                                                                                    | —                                                                                    | —                                                                                    | —                                                                                    |
| Insulation strips see page                                                   |              | 6.33                                                                                 | 6.33                                                                                 | —                                                                                    | —                                                                                    | —                                                                                    | —                                                                                    |
| Threaded inserts see page                                                    |              | 6.33                                                                                 | 6.33                                                                                 | 6.33                                                                                 | 6.33                                                                                 | 6.33                                                                                 | 6.33                                                                                 |

1) SPQ (standard pack quantity): Part number includes 1 piece, but delivery is exclusively made in standard pack quantity (SPQ); please order at least the SPQ quantity or a multiple

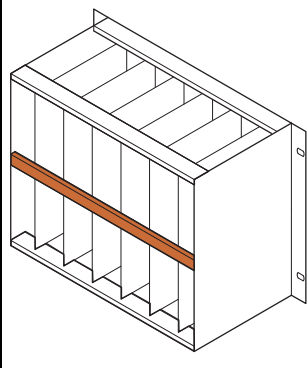
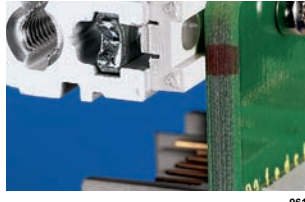

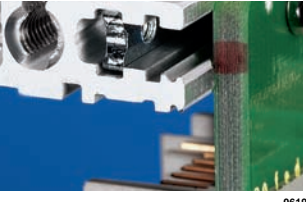



"light": loading capacity up to approx. 7.5 kg; "heavy": loading capacity > 7.5 kg

Note

- 1000 mm version without M4 thread to front, without printed markings and without notch for 19"-bracket
- Rugged horizontal rails with 3 fixing holes see section "Rugged Subracks", page 6.99

Part number in bold face type: ready for despatch within 2 working days  
Part number in normal type: ready for despatch within 10 working days

Order Information

|  |              | For indirect backplane mounting<br>with insulation strip                                                                                                                                                                                                                                      | For direct backplane mounting                                                                                                                                                                                                                                                                  | For direct fixing of connectors<br>in accordance with<br>EN 60603-2 (DIN 41612)                                                                                                                                                                                                                   |
|-----------------------------------------------------------------------------------|--------------|-----------------------------------------------------------------------------------------------------------------------------------------------------------------------------------------------------------------------------------------------------------------------------------------------|------------------------------------------------------------------------------------------------------------------------------------------------------------------------------------------------------------------------------------------------------------------------------------------------|---------------------------------------------------------------------------------------------------------------------------------------------------------------------------------------------------------------------------------------------------------------------------------------------------|
|                                                                                   |              |  <p><b>Type ST</b></p>  <p>Al extrusion, anodised surface,<br/>conductive contact surface,<br/>without printed markings</p> |  <p><b>Type VT</b></p>  <p>Al extrusion, anodised surface,<br/>conductive contact surface,<br/>without printed markings</p> |  <p><b>Type MZ</b></p>  <p>Al extrusion, anodised surface,<br/>conductive contact surface,<br/>without printed markings</p> |
| Usable length<br>HP                                                               | Length<br>mm | <b>1 piece (SPQ 10)<sup>1)</sup></b>                                                                                                                                                                                                                                                          | <b>1 piece (SPQ 10)<sup>1)</sup></b>                                                                                                                                                                                                                                                           | <b>1 piece (SPQ 10)<sup>1)</sup></b>                                                                                                                                                                                                                                                              |
| 20                                                                                | 106.68       | 34561-020                                                                                                                                                                                                                                                                                     | 34561-120                                                                                                                                                                                                                                                                                      | 34561-220                                                                                                                                                                                                                                                                                         |
| 28                                                                                | 147.32       | 34561-028                                                                                                                                                                                                                                                                                     | 34561-128                                                                                                                                                                                                                                                                                      | 34561-228                                                                                                                                                                                                                                                                                         |
| 40                                                                                | 208.28       | 34561-040                                                                                                                                                                                                                                                                                     | 34561-140                                                                                                                                                                                                                                                                                      | 34561-240                                                                                                                                                                                                                                                                                         |
| 42                                                                                | 218.44       | 34561-042                                                                                                                                                                                                                                                                                     | 34561-142                                                                                                                                                                                                                                                                                      | 34561-242                                                                                                                                                                                                                                                                                         |
| 63                                                                                | 325.12       | 34561-063                                                                                                                                                                                                                                                                                     | 34561-163                                                                                                                                                                                                                                                                                      | 34561-263                                                                                                                                                                                                                                                                                         |
| 84                                                                                | 431.80       | 34561-084                                                                                                                                                                                                                                                                                     | 34561-184                                                                                                                                                                                                                                                                                      | 34561-284                                                                                                                                                                                                                                                                                         |
| -                                                                                 | 1000         | 34561-001                                                                                                                                                                                                                                                                                     | 34561-101                                                                                                                                                                                                                                                                                      | 34561-201                                                                                                                                                                                                                                                                                         |
| Screw, M4 x 14, PU 100 pieces,<br>for fastening horizontal rail to<br>side panel  |              | 24560-130                                                                                                                                                                                                                                                                                     | 24560-130                                                                                                                                                                                                                                                                                      | 24560-130                                                                                                                                                                                                                                                                                         |
| Insulation strips see page                                                        |              | 6.33                                                                                                                                                                                                                                                                                          | -                                                                                                                                                                                                                                                                                              | -                                                                                                                                                                                                                                                                                                 |
| Threaded inserts see page                                                         |              | 6.33                                                                                                                                                                                                                                                                                          | 6.33                                                                                                                                                                                                                                                                                           | 6.33                                                                                                                                                                                                                                                                                              |

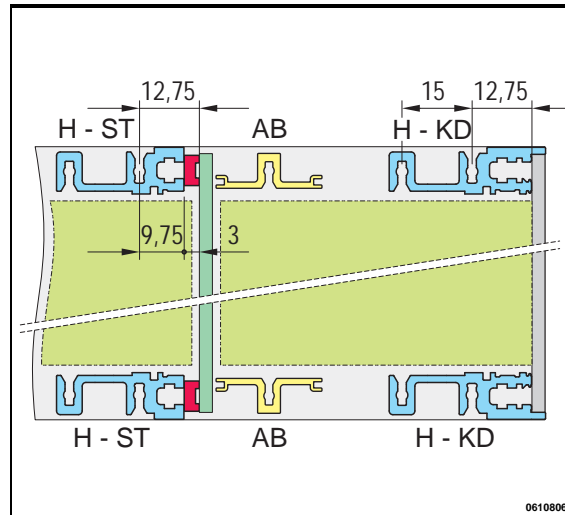
1) SPQ (standard pack quantity): Part number includes 1 piece, but delivery is exclusively made in standard pack quantity (SPQ); please order at least the SPQ quantity or a multiple  
"light": loading capacity up to approx. 7.5 kg; "heavy": loading capacity > 7.5 kg

**Note**

- All horizontal rails without printed markings
- 1000 mm version without M4 thread to front



Order Information



For CompactPCI in rear I/O area



Type AB



Al extrusion, anodised surface, conductive contact surface; horizontal rail type AB (AB = support) is required to fix the 80 mm rear I/O boards; without printed markings

**1 piece (SPQ 10)<sup>1)</sup>**

| Usable length<br>HP                                                           | Length<br>mm |           |
|-------------------------------------------------------------------------------|--------------|-----------|
| 20                                                                            | 106.68       | 34561-520 |
| 28                                                                            | 147.32       | 34561-528 |
| 40                                                                            | 208.28       | 34561-540 |
| 42                                                                            | 218.44       | 34561-542 |
| 63                                                                            | 325.12       | 34561-563 |
| 84                                                                            | 431.80       | 34561-584 |
| —                                                                             | 1000         | 34561-501 |
| Screw, M4 x 14, PU 100 pieces,<br>for fastening horizontal rail to side panel |              | 24560-130 |

1) SPQ (standard pack quantity): Part number includes 1 piece, but delivery is exclusively made in standard pack quantity (SPQ); please order at least the SPQ quantity or a multiple  
"light": loading capacity up to approx. 7.5 kg; "heavy": loading capacity > 7.5 kg

**Note**

- All horizontal rails without printed markings
- 1000 mm version without M4 thread to front

Order Information

| Usable length<br>HP | Threaded insert |                                   | Perforated strip<br>(item 1)      |              | Insulation strip                  |              |              |
|---------------------|-----------------|-----------------------------------|-----------------------------------|--------------|-----------------------------------|--------------|--------------|
|                     | Length<br>mm    | 1 piece<br>(SPQ 10) <sup>1)</sup> | 1 piece<br>(SPQ 10) <sup>1)</sup> | Length<br>mm | 1 piece<br>(SPQ 10) <sup>1)</sup> | Length<br>mm | PU 10 pieces |
| 20                  | 106.18          | 34561-320                         | —                                 | 106.48       | 30845-189                         | 101.50       | 24560-820    |
| 28                  | 146.82          | 34561-328                         | —                                 | 147.12       | 30845-197                         | 144.20       | 24560-828    |
| 40                  | 207.78          | 34561-340                         | —                                 | 208.08       | 30845-209                         | 205.12       | 24560-840    |
| 42                  | 217.94          | 34561-342                         | —                                 | 218.24       | 30845-211                         | 210.40       | 24560-842    |
| 63                  | 324.62          | 34561-363                         | —                                 | 324.92       | 30845-232                         | 316.88       | 24560-863    |
| 84                  | 431.30          | 34561-384                         | 34561-484                         | 431.60       | 30845-253                         | 428.64       | 24560-884    |
| 196                 | 1000.26         | 34565-196                         | —                                 | 1000.56      | 34565-396                         | —            | —            |

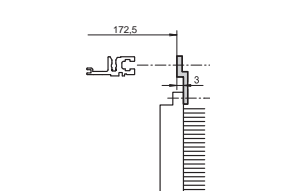
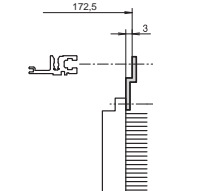
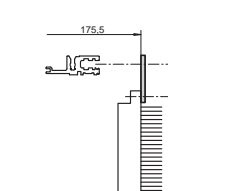
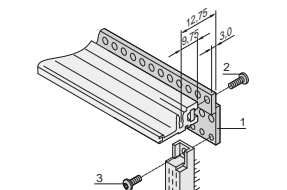
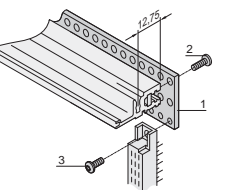
Accessories

|                                       |           |           |   |           |   |   |   |
|---------------------------------------|-----------|-----------|---|-----------|---|---|---|
| Grub screw M2.5 x 8,<br>PU 100 pieces | 21100-276 | —         | — | —         | — | — | — |
| Grub screw M2.5 x 9,<br>PU 100 pieces | —         | —         | — | 21101-359 | — | — | — |
| Grub screw M3 x 8,<br>PU 100 pieces   | —         | 21100-646 | — | —         | — | — | — |

1) SPQ (standard pack quantity): Part number includes 1 piece, but delivery is exclusively made in standard pack quantity (SPQ); please order at least the SPQ quantity or a multiple

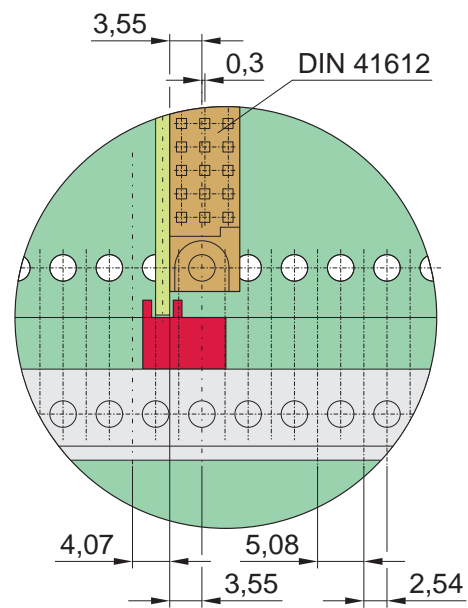
2) Part no. includes one packing unit (PU); delivery is exclusively made in PU

Order Information

|                                                                                                  |               | Z-rail for connectors<br>DIN EN 60603-2, DIN 41612<br>item 1                                      |  | 31-pin, DIN 41617                                                                                 | Perforated rail<br>EN 606032, DIN 41612<br>item 1                                                 |
|--------------------------------------------------------------------------------------------------|---------------|---------------------------------------------------------------------------------------------------|--|---------------------------------------------------------------------------------------------------|---------------------------------------------------------------------------------------------------|
|                                                                                                  |               |                  |  |                 |                |
|                                                                                                  |               |                  |  |                                                                                                   |                |
|                                                                                                  |               | for connector mounting on ST horizontal rails, please order threaded inserts and screw separately |  | for connector mounting on ST horizontal rails, please order threaded inserts and screw separately | for connector mounting on VT horizontal rails, please order threaded inserts and screw separately |
| <b>Usable length</b>                                                                             | <b>Length</b> | <b>1 piece</b>                                                                                    |  | <b>1 piece</b>                                                                                    | <b>PU 4 pieces</b>                                                                                |
| <b>HP</b>                                                                                        | <b>mm</b>     |                                                                                                   |  |                                                                                                   |                                                                                                   |
| 20                                                                                               | 101.60        | 30822-025                                                                                         |  | —                                                                                                 | 20822-051                                                                                         |
| 28                                                                                               | 142.24        | 30822-033                                                                                         |  | —                                                                                                 | 20822-049                                                                                         |
| 40                                                                                               | 203.20        | 30822-045                                                                                         |  | 30819-763                                                                                         | 20822-046                                                                                         |
| 42                                                                                               | 213.36        | 30822-047                                                                                         |  | —                                                                                                 | 20822-050                                                                                         |
| 60                                                                                               | 304.80        | 30822-065                                                                                         |  | 30819-783                                                                                         | 20822-047                                                                                         |
| 84                                                                                               | 426.72        | 30822-089                                                                                         |  | 30819-808                                                                                         | 20822-048                                                                                         |
| Item 3, torx panhead screw to fix connector to perforated rail., M2.5 x 7, PU 100 pieces         |               | 24560-147                                                                                         |  | 24560-147                                                                                         | 24560-147                                                                                         |
| Item 2, torx panhead screw, to fix perforated rails to horizontal rail, M2.5 x 10, PU 100 pieces |               | 24560-148                                                                                         |  | 24560-148                                                                                         | 24560-148                                                                                         |



Guide rails



Guide rails form the interface between the subrack mechanics and the sub-assemblies (PCBs, plug-in units, frame-type plug-in units, ...).

Guide rails for standard applications are 2 HP wide. Guide rails with coding (e.g. for CompactPCI or VME64bus applications) are 4 HP wide.

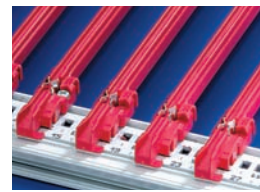
There are groove widths of 2 mm and 2.5 mm.

The guide rails are clipped into the rectangular cut-outs of the horizontal rails. They can additionally be bolted to the horizontal rail (type H only) for higher shock and vibration requirements.

The printed HP markings on the horizontal rail (28 HP and above) allow the rails to be fitted in the correct position easily (position of sub-assembly = "number in viewing window" or in front of the arrow marking on the guide rails).

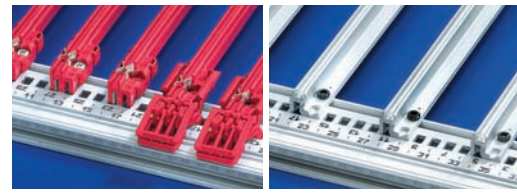
Front view: position of guide rails to connector (EN 60603-2/  
DIN 41612) 06108083

**Applications for guide rails**



06102001

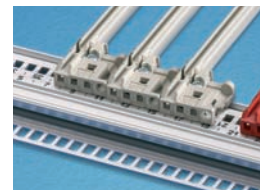
For plug-in units and frame-type plug-in units (with front panels) (standard type)



06102002

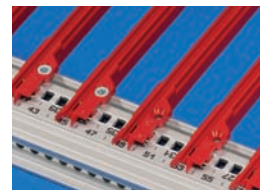
06102005

For plug-in units and frame type plug-in units or for PCBs without their own front panel (accessory type or robust version)



06106004

For CompactPCI or VME64x plug-in units (type IEEE with coding; frame-type plug-in units cannot be fitted)



06104009

For plug-in drive unit modules or PCBs in 4.4" (111.7 mm) height (type 4.4")

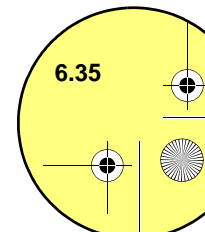


06112022

Rugged guide rails to accommodate conduction cooled assembly (CCA) adaptor

Accessories:


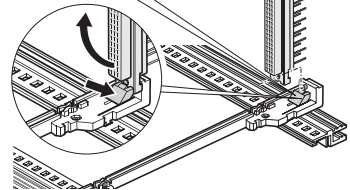
- ESD clip
- Keying/coding pegs
- Board locking



# Subracks - *europac PRO* ServicePLUS

Guide rails for plug-in units and modules, one-piece, groove width 2 mm and 2.5 mm

## Order Information

| Assembly                                                                                                                                                    |                 |           | For plug-in units and frame type plug-in units<br>standard type                                                                 |                                | standard type,<br>with DIN connector fixing                                                                                |
|-------------------------------------------------------------------------------------------------------------------------------------------------------------|-----------------|-----------|---------------------------------------------------------------------------------------------------------------------------------|--------------------------------|----------------------------------------------------------------------------------------------------------------------------|
| - can be clipped into Al extruded horizontal rails<br>- can be clipped into 1.5 mm thick plates<br><br><b>Storage temperature</b><br>from -40 °C ... 130 °C |                 |           |                                                |                                |                                         |
|                                                                                                                                                             |                 |           | up to 220 mm length, PBT, UL 94 V-0;<br>from 280 mm length, multi-piece, end piece PBT, UL 94 V-0, central section Al extrusion | PBT, UL 94 V-0                 | PBT, UL 94 V-0, red, connector is clipped directly onto the guide rails; for euroboards only, 100 x 160 mm or 100 x 220 mm |
| Board length mm                                                                                                                                             | Groove width mm | Colour mm | PU 10 pieces <sup>2)</sup>                                                                                                      | 1 piece (SPQ 50) <sup>1)</sup> | 1 pair (SPQ 10) <sup>1)</sup>                                                                                              |
| 70                                                                                                                                                          | 2               | red       | –                                                                                                                               | 34579-230                      | –                                                                                                                          |
| 70                                                                                                                                                          | 2               | grey      | –                                                                                                                               | 34579-231                      | –                                                                                                                          |
| 160                                                                                                                                                         | 2               | red       | 24560-351                                                                                                                       | 64560-001                      | 64560-074                                                                                                                  |
| 220                                                                                                                                                         | 2               | red       | 24560-353                                                                                                                       | 64560-002                      | 64560-075                                                                                                                  |
| 280                                                                                                                                                         | 2               | red       | 24560-379                                                                                                                       | –                              | –                                                                                                                          |
| 340                                                                                                                                                         | 2               | red       | 24560-380                                                                                                                       | –                              | –                                                                                                                          |
| 160                                                                                                                                                         | 2.5             | red       | –                                                                                                                               | 64560-096                      | –                                                                                                                          |
| 220                                                                                                                                                         | 2.5             | red       | –                                                                                                                               | 64560-098                      | –                                                                                                                          |

## Accessories

|                                                    |           |   |           |
|----------------------------------------------------|-----------|---|-----------|
| Retention screw, PU 100 pieces; Torque max. 0.2 Nm | 24560-141 | – | 24560-141 |
| ESD clip, PU 50 pieces                             | 24560-255 | – | 24560-255 |

1) SPQ (standard pack quantity): Part number includes 1 piece, but delivery is exclusively made in standard pack quantity (SPQ); please order at least the SPQ quantity or a multiple


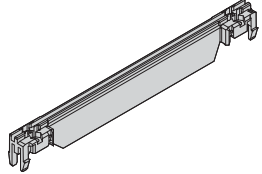
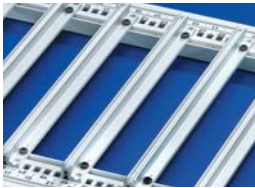
2) Part no. includes one packing unit (PU); delivery is exclusively made in PU

Description of accessories see from page 6.41

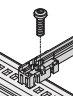
## Subracks - *europac* **PRO** ServicePLUS

Guide rails type "accessory", one-piece,  
groove width 2 mm and 2.5 mm

### Order Information

| Board length<br>mm                                                                                                                                                              |                    |             | Guide rails                                                                                                                                                                                                                  |                                 |                                                                                                                                                                         |                                |                                                                                                                                                                                  |  |
|---------------------------------------------------------------------------------------------------------------------------------------------------------------------------------|--------------------|-------------|------------------------------------------------------------------------------------------------------------------------------------------------------------------------------------------------------------------------------|---------------------------------|-------------------------------------------------------------------------------------------------------------------------------------------------------------------------|--------------------------------|----------------------------------------------------------------------------------------------------------------------------------------------------------------------------------|--|
|                                                                                                                                                                                 |                    |             | accessory type                                                                                                                                                                                                               | accessory type,<br>strengthened | for heavy modules,<br>Al extrusion, silver,<br>robust version                                                                                                           |                                |                                                                                                                                                                                  |  |
| <b>Assembly</b><br>- can be clipped into Al extruded horizontal rails<br>- can be clipped into 1.5 mm thick plates<br><br><b>Storage temperature</b><br>from -40 °C ... +130 °C |                    |             |  <p>up to 280 mm length, PBT, UL 94 V-0;<br/>&gt; 280 mm length, multi-piece, end piece PBT, UL 94 V-0,<br/>middle section Al extrusion</p> |                                 |  <p>PBT UL 94 V-0, red;<br/>support beam of guide rails<br/>adds to strengthening</p> |                                |  <p>Al extrusion;<br/>is screwed to<br/>horizontal rail "heavy"<br/>with retention screws</p> |  |
| mm                                                                                                                                                                              | Groove width<br>mm | Colour      | PU 10 pieces <sup>2)</sup>                                                                                                                                                                                                   | 1 piece (SPQ 50)                | 1 piece (SPQ 50)                                                                                                                                                        | 1 piece (SPQ 10) <sup>1)</sup> |                                                                                                                                                                                  |  |
| 100                                                                                                                                                                             | 2                  | red         | –                                                                                                                                                                                                                            | 64560-082                       | –                                                                                                                                                                       | –                              |                                                                                                                                                                                  |  |
| 160                                                                                                                                                                             | 2                  | red         | 24560-373                                                                                                                                                                                                                    | 64560-005                       | 64560-076                                                                                                                                                               | –                              |                                                                                                                                                                                  |  |
| 160                                                                                                                                                                             | 2                  | grey/silver | –                                                                                                                                                                                                                            | 64560-055                       | –                                                                                                                                                                       | 34562-881                      |                                                                                                                                                                                  |  |
| 220                                                                                                                                                                             | 2                  | red         | 24560-374                                                                                                                                                                                                                    | 64560-006                       | 64560-078                                                                                                                                                               | –                              |                                                                                                                                                                                  |  |
| 220                                                                                                                                                                             | 2                  | grey/silver | –                                                                                                                                                                                                                            | 64560-166                       | –                                                                                                                                                                       | 34562-882                      |                                                                                                                                                                                  |  |
| 280                                                                                                                                                                             | 2                  | red/silver  | 24560-375                                                                                                                                                                                                                    | –                               | 64560-080                                                                                                                                                               | 34562-883                      |                                                                                                                                                                                  |  |
| 340                                                                                                                                                                             | 2                  | red/silver  | 24560-376                                                                                                                                                                                                                    | –                               | –                                                                                                                                                                       | 34562-884                      |                                                                                                                                                                                  |  |
| 400                                                                                                                                                                             | 2                  | red/silver  | –                                                                                                                                                                                                                            | –                               | –                                                                                                                                                                       | 34562-885                      |                                                                                                                                                                                  |  |
| 160                                                                                                                                                                             | 2.5                | silver      | –                                                                                                                                                                                                                            | –                               | –                                                                                                                                                                       | 34564-881                      |                                                                                                                                                                                  |  |
| 220                                                                                                                                                                             | 2.5                | silver      | –                                                                                                                                                                                                                            | –                               | –                                                                                                                                                                       | 34564-882                      |                                                                                                                                                                                  |  |
| 280                                                                                                                                                                             | 2.5                | silver      | –                                                                                                                                                                                                                            | –                               | –                                                                                                                                                                       | 34564-883                      |                                                                                                                                                                                  |  |
| 340                                                                                                                                                                             | 2.5                | silver      | –                                                                                                                                                                                                                            | –                               | –                                                                                                                                                                       | 34564-884                      |                                                                                                                                                                                  |  |
| 400                                                                                                                                                                             | 2.5                | silver      | –                                                                                                                                                                                                                            | –                               | –                                                                                                                                                                       | 34564-885                      |                                                                                                                                                                                  |  |

### Accessories

|                                                                            |                                                                                     |           |           |           |           |
|----------------------------------------------------------------------------|-------------------------------------------------------------------------------------|-----------|-----------|-----------|-----------|
| Retention screw,<br>PU 100 pieces;<br>torque max. 0.2 Nm                   |  | 24560-141 | 24560-141 | 24560-141 | 24560-157 |
| ESD clip, PU 50 pieces                                                     |                                                                                     | 24560-255 | 24560-255 | 24560-255 | –         |
| Board locking, red,<br>PU 10 pieces                                        |                                                                                     | 24560-377 | 24560-377 | 24560-377 | –         |
| Board handle, red,<br>PU 10 pieces                                         |                                                                                     | 24560-378 | 24560-378 | 24560-378 | –         |
| Identification strips for<br>board handle, red,<br>PU 1 sheet = 438 pieces |                                                                                     | 60817-228 | 60817-228 | 60817-228 | –         |
| Coding see page                                                            |                                                                                     |           | 6.41      |           | –         |

1) SPQ (standard pack quantity): Part number includes 1 piece, but delivery is exclusively made in standard pack quantity (SPQ); please order at least the SPQ quantity or a multiple

2) Part no. includes one packing unit (PU); delivery is exclusively made in PU

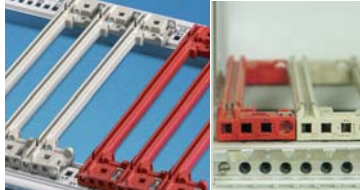
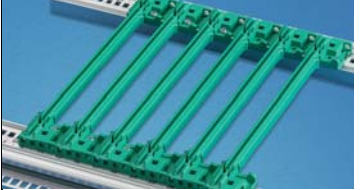

Description of accessories see from page 6.41



## Subracks - *europac PRO* ServicePLUS

Guide rails for CompactPCI, VME64x with coding,  
4.4" PCBs, groove width 2 mm and 2.5 mm

### Order Information

| Assembly                                                                                        |                    |              | For CompactPCI, VME64x with coding<br>In accordance with IEEE 1101.10<br>and IEC 60297-3-103                                      |                                   | Offset 0.1" for power supply units<br>in accordance with IEEE 1101.10<br>and IEC 60297-3-103                                          |                                   | For 4.4" PCBs                                                                      |                                   |
|-------------------------------------------------------------------------------------------------|--------------------|--------------|-----------------------------------------------------------------------------------------------------------------------------------|-----------------------------------|---------------------------------------------------------------------------------------------------------------------------------------|-----------------------------------|------------------------------------------------------------------------------------|-----------------------------------|
| - can be clipped into Al extruded horizontal rails<br>- can be clipped into 1.5 mm thick plates |                    |              |                                                  |                                   |                                                      |                                   |  |                                   |
| Storage temperature<br>from -40 °C ... 130 °C                                                   |                    |              | 06106001 04611009                                                                                                                 |                                   | 06106002                                                                                                                              |                                   | 06104009                                                                           |                                   |
|                                                                                                 |                    |              | One-piece for groove width 2 mm, PBT, UL 94 V-0;<br>multi-piece at groove width 2,5 mm, end-piece PBT, UL 94 V-0, center piece Al |                                   | PBT, UL 94 V-0<br><br>PBT, UL 94 V-0,<br>for installation of power supplies in CompactPCI systems or plug-in units with SMD placement |                                   | One-piece, PBT, UL 94 V-0;<br>for 4.4" PCBs or drive unit modules                  |                                   |
| Board length<br>mm                                                                              | Groove width<br>mm | Colour<br>mm | PU 10 pieces                                                                                                                      | 1 piece<br>(SPQ 50) <sup>1)</sup> | PU 10 pieces                                                                                                                          | 1 piece<br>(SPQ 50) <sup>1)</sup> | PU 10 pieces                                                                       | 1 piece<br>(SPQ 50) <sup>1)</sup> |
| 70                                                                                              | 2                  | red          | 24560-355                                                                                                                         | 64560-085                         | -                                                                                                                                     | -                                 | -                                                                                  | -                                 |
| 70                                                                                              | 2                  | grey         | 24560-360                                                                                                                         | 64560-086                         | -                                                                                                                                     | -                                 | -                                                                                  | -                                 |
| 160                                                                                             | 2                  | red          | 24560-356                                                                                                                         | 64560-089                         | -                                                                                                                                     | -                                 | 24560-361                                                                          | 64560-143                         |
| 160                                                                                             | 2                  | grey         | 24560-358                                                                                                                         | 64560-090                         | -                                                                                                                                     | -                                 | -                                                                                  | -                                 |
| 160                                                                                             | 2                  | green        | -                                                                                                                                 | -                                 | 24560-359                                                                                                                             | 64560-071                         | -                                                                                  | -                                 |
| 220                                                                                             | 2                  | red          | -                                                                                                                                 | 64560-091                         | -                                                                                                                                     | -                                 | 24560-362                                                                          | 64560-144                         |
| 220                                                                                             | 2                  | grey         | -                                                                                                                                 | 64560-092                         | -                                                                                                                                     | -                                 | -                                                                                  | -                                 |
| 220                                                                                             | 2                  | green        | -                                                                                                                                 | -                                 | -                                                                                                                                     | 64560-072                         | -                                                                                  | -                                 |
| 160                                                                                             | 2.5                | red          | -                                                                                                                                 | -                                 | -                                                                                                                                     | -                                 | -                                                                                  | 64560-145                         |
| 220                                                                                             | 2.5                | red          | 24561-330                                                                                                                         | -                                 | -                                                                                                                                     | -                                 | -                                                                                  | 64560-146                         |
| 220                                                                                             | 2.5                | grey         | 24561-340                                                                                                                         | -                                 | -                                                                                                                                     | -                                 | -                                                                                  | -                                 |
| 280                                                                                             | 2.5                | red          | 24561-331                                                                                                                         | -                                 | -                                                                                                                                     | -                                 | -                                                                                  | -                                 |
| 280                                                                                             | 2.5                | grey         | 24561-341                                                                                                                         | -                                 | -                                                                                                                                     | -                                 | -                                                                                  | -                                 |
| 340                                                                                             | 2.5                | red          | 24561-332                                                                                                                         | -                                 | -                                                                                                                                     | -                                 | -                                                                                  | -                                 |
| 340                                                                                             | 2.5                | grey         | 24561-342                                                                                                                         | -                                 | -                                                                                                                                     | -                                 | -                                                                                  | -                                 |

### Accessories


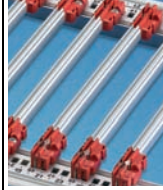
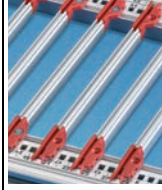
|                                                    |           |           |           |           |           |           |
|----------------------------------------------------|-----------|-----------|-----------|-----------|-----------|-----------|
| ESD clip, PU 50 pieces                             | 24560-255 | 24560-255 | -         | -         | -         | -         |
| ESD clips, for alignment pin, PU 50 pieces         | 24560-256 | 24560-256 | 24560-256 | 24560-256 | -         | -         |
| Retention screw, PU 100 pieces; torque max. 0.2 Nm | 24560-141 | 24560-141 | 24560-141 | 24560-141 | 24560-158 | 24560-158 |
| Coding peg, PU 100 pieces                          | 20817-501 | 20817-501 | 20817-501 | 20817-501 | -         | -         |

1) SPQ (standard pack quantity): Part number includes 1 piece, but delivery is exclusively made in standard pack quantity (SPQ); please order at least the SPQ quantity or a multiple

2) Part no. includes one packing unit (PU); delivery is exclusively made in PU

Description of accessories see from page 6.41

**Order Information**

|                                                                                                                                                                                                                                                                     |                  |                        |                                                                                                                                                                                                                           |                                      |                                                                                                                                                                                                |                                      |                                                                                                                                                                                               |  |
|---------------------------------------------------------------------------------------------------------------------------------------------------------------------------------------------------------------------------------------------------------------------|------------------|------------------------|---------------------------------------------------------------------------------------------------------------------------------------------------------------------------------------------------------------------------|--------------------------------------|------------------------------------------------------------------------------------------------------------------------------------------------------------------------------------------------|--------------------------------------|-----------------------------------------------------------------------------------------------------------------------------------------------------------------------------------------------|--|
| <p><b>PCBs:</b><br/>Fixed lengths for 160, 220, 280, 340 mm;<br/>length 1000 mm for special dimensions</p> <p><b>Mounting:</b> pluggable into horizontal rails</p> <p><b>Storage temperature :</b><br/>End piece -40°C ... +130°C<br/>PVC profile 0°C ... +60°C</p> |                  |                        | <p><b>For plug-in units and modules standard type</b></p>  <p>06106004</p> <p>end piece, PBT, UL 94 V-0, middle section Al extrusion</p> |                                      | <p><b>Accessories type</b></p>  <p>06106005</p> <p>end piece, PBT, UL 94 V-0, middle section Al extrusion</p> |                                      | <p><b>For 4.4" PCBs</b></p>  <p>06106006</p> <p>end piece, PBT, UL 94 V-0, middle section Al extrusion</p> |  |
| <b>Description</b>                                                                                                                                                                                                                                                  | <b>Length mm</b> | <b>Groove width mm</b> | <b>1 piece (SPQ 10)<sup>1)</sup></b>                                                                                                                                                                                      | <b>1 piece (SPQ 10)<sup>1)</sup></b> | <b>1 piece (SPQ 10)<sup>1)</sup></b>                                                                                                                                                           | <b>1 piece (SPQ 10)<sup>1)</sup></b> | <b>1 piece (SPQ 10)<sup>1)</sup></b>                                                                                                                                                          |  |
| End piece, red, 1 pair                                                                                                                                                                                                                                              | 2                |                        | 64560-004                                                                                                                                                                                                                 | 64560-004                            | 64560-008                                                                                                                                                                                      | 64560-008                            | 64560-057                                                                                                                                                                                     |  |
| Al extrusion, for 160 mm board length                                                                                                                                                                                                                               | 95               | 2                      | 34560-891                                                                                                                                                                                                                 | 34564-891                            | 34560-891                                                                                                                                                                                      | 34564-891                            | 34560-891                                                                                                                                                                                     |  |
| Al extrusion, for 220 mm board length                                                                                                                                                                                                                               | 155              | 2                      | 34560-892                                                                                                                                                                                                                 | 34564-892                            | 34560-892                                                                                                                                                                                      | 34564-892                            | 34560-892                                                                                                                                                                                     |  |
| Al extrusion, for 280 mm board length                                                                                                                                                                                                                               | 215              | 2                      | 34560-893                                                                                                                                                                                                                 | 34564-893                            | 34560-893                                                                                                                                                                                      | 34564-893                            | 34560-893                                                                                                                                                                                     |  |
| Al extrusion, for 340 mm board length                                                                                                                                                                                                                               | 275              | 2                      | 34560-894                                                                                                                                                                                                                 | –                                    | 34560-894                                                                                                                                                                                      | –                                    | 34560-894                                                                                                                                                                                     |  |
| Al extrusion, for any board length                                                                                                                                                                                                                                  | 1000             | 2                      | 34560-900                                                                                                                                                                                                                 | –                                    | 34560-900                                                                                                                                                                                      | –                                    | 34560-900                                                                                                                                                                                     |  |
| Plastic extrusion, for any board length                                                                                                                                                                                                                             | 1000             | 2                      | –                                                                                                                                                                                                                         | 34564-900                            | –                                                                                                                                                                                              | 34564-900                            | –                                                                                                                                                                                             |  |

**Accessories**

|                                                                      |           |           |               |           |           |           |
|----------------------------------------------------------------------|-----------|-----------|---------------|-----------|-----------|-----------|
| ESD clip, PU 50 pieces                                               | 24560-255 | 24560-255 | 24560-255     | 24560-255 | –         | –         |
| Retention screw, PU 100 pieces; torque max. 0.2 Nm                   | 24560-141 | 24560-141 | 24560-141     | 24560-141 | 24560-158 | 24560-158 |
| Board locking, red, PU 10 pieces                                     | –         | –         | 24560-377     | 24560-377 | –         | –         |
| Board handle, red, PU 10 pieces                                      | –         | –         | 24560-378     | 24560-378 | –         | –         |
| Identification strips for board handle, red, PU 1 sheet = 438 pieces | –         | –         | 60817-228     | 60817-228 | –         | –         |
| Coding see page                                                      | –         | –         | see page 6.41 |           | –         | –         |

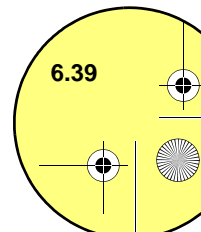
1) SPQ (standard pack quantity): Part number includes 1 piece, but delivery is exclusively made in standard pack quantity (SPQ); please order at least the SPQ quantity or a multiple

2) Part no. includes one packing unit (PU); delivery is exclusively made in PU

Description of accessories see from page 6.41

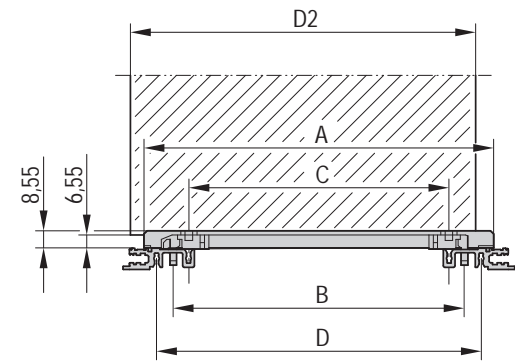
**Note**

- Strengthening for middle section (plastic extrusion) available on request



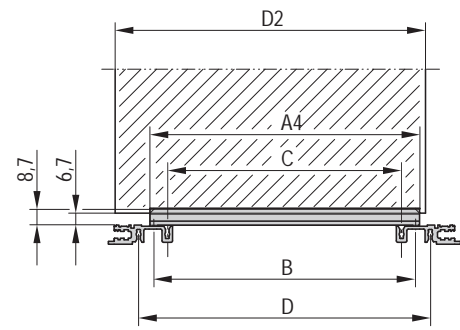
Dimension drawings of guide rails

**Standard**



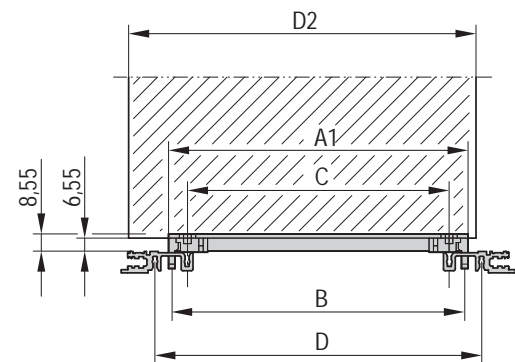
bza45808

**Robust version**



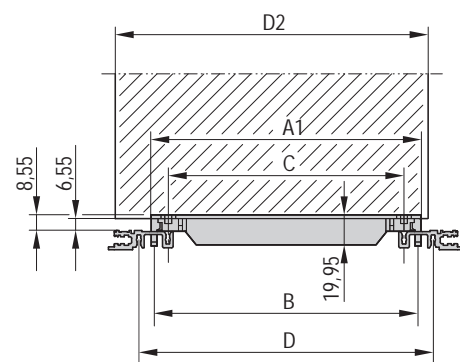
06105074

**For accessories**



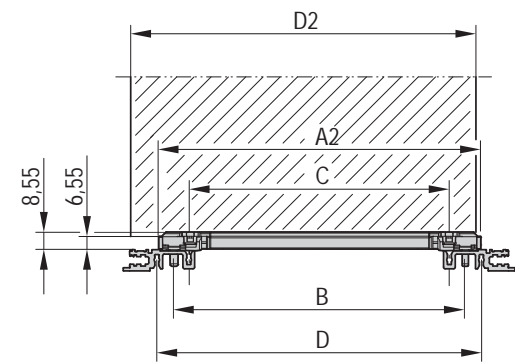
bza45808

**For accessories, strengthened**



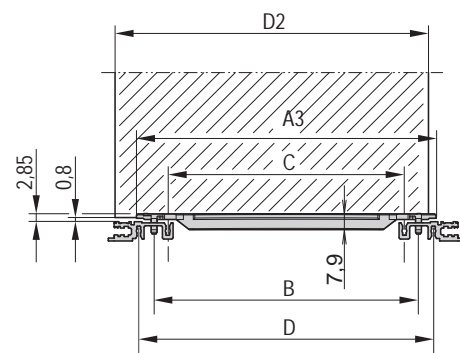
bza46552

**CompactPCI, VME64x**



06105068

**4.4" (111.7 mm)**



06105069

**Dimensions table**

| Board length<br>L | Dimensions |       |        |     |     |     |     |     |  |
|-------------------|------------|-------|--------|-----|-----|-----|-----|-----|--|
|                   | A          | A1    | A2     | A3  | A4  | B   | C   | D   |  |
| mm                | mm         | mm    | mm     | mm  | mm  | mm  | mm  | mm  |  |
| 70                | 71.5       | 47.9  | 59.39  | 63  | 49  | 45  | 30  | 60  |  |
| 100               | 101.5      | 77.9  | 89.39  | 93  | 79  | 75  | 60  | 90  |  |
| 160               | 161.5      | 137.9 | 149.39 | 153 | 139 | 135 | 120 | 150 |  |
| 220               | 221.5      | 197.9 | 209.39 | 213 | 199 | 195 | 180 | 210 |  |
| 280               | 281.5      | 257.9 | 269.39 | 273 | 259 | 255 | 240 | 270 |  |
| 340               | 341.5      | 317.9 | 322.39 | 333 | 319 | 315 | 300 | 330 |  |
| 400               | 401.5      | 377.9 | 389.39 | 393 | 379 | 375 | 360 | 390 |  |

A, A1, A2, A3, A4: Length of rail

B: Pitch of snap-in fixing

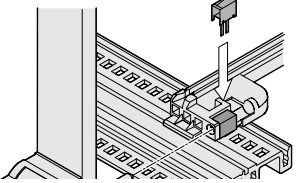
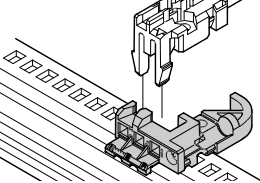
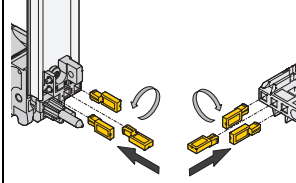
C: Pitch of guide rail retention screws

D: Pitch of horizontal rail retention screws



Guide rail accessories

Order Information

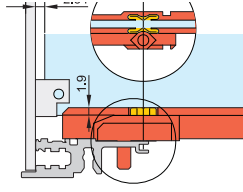
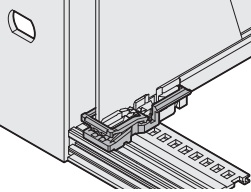
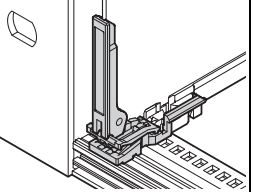
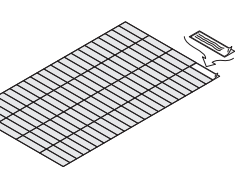
|          |        | ESD clips, CompactPCI/VME 64 alignment pin for guide rails                                                                                                                                                                                                                                           | Coding for subracks                                                                                                                                 |                                                                                                                                                                                                                                                                                                                                                                                        |
|----------|--------|------------------------------------------------------------------------------------------------------------------------------------------------------------------------------------------------------------------------------------------------------------------------------------------------------|-----------------------------------------------------------------------------------------------------------------------------------------------------|----------------------------------------------------------------------------------------------------------------------------------------------------------------------------------------------------------------------------------------------------------------------------------------------------------------------------------------------------------------------------------------|
|          |        | <br>06103052                                                                                                                                                                                                        | Keying/coding block for guide rails accessory type<br><br>06103051 | Keying/coding for CompactPCI, VME64x handles to IEEE 1011.10 and IEC 60297-3-103<br><br>04612052                                                                                                                                                                                                    |
|          |        | Spring steel, tin-plated, ESD clip, for alignment pin in accordance with IEEE; can be plugged into the guide rails with coding and into the keying/coding block; provides conductive contact between the alignment pin of the insertion/extractor handle (IEL or IET handle) and the horizontal rail | PBT, UL 94 V-0, keying/coding block is clipped into the horizontal rail next to the guide rail; please order keying/coding pegs separately          | Keying/coding peg, PBTP, UL 94 V-0, RAL 7035<br>The keying/coding pegs prevent plug-in units to be mounted in wrong slots. They are inserted in the chambers of the codable card guides as well as in the insertion/extractor handles IEL or IET (4 possible positions), resulting in 64 codings per card guide; when coding the upper and lower card guide, 4096 codings will result; |
| Assembly | Colour | PU 50 pieces                                                                                                                                                                                                                                                                                         | 1 piece (SPQ 50)                                                                                                                                    | PU 100 pieces                                                                                                                                                                                                                                                                                                                                                                          |
| above    | red    | —                                                                                                                                                                                                                                                                                                    | 34579-232                                                                                                                                           | —                                                                                                                                                                                                                                                                                                                                                                                      |
|          | grey   | —                                                                                                                                                                                                                                                                                                    | 34579-233                                                                                                                                           | 20817-501                                                                                                                                                                                                                                                                                                                                                                              |
|          | silver | 24560-256                                                                                                                                                                                                                                                                                            | —                                                                                                                                                   | —                                                                                                                                                                                                                                                                                                                                                                                      |
| below    | red    | —                                                                                                                                                                                                                                                                                                    | 34579-234                                                                                                                                           | —                                                                                                                                                                                                                                                                                                                                                                                      |
|          | grey   | —                                                                                                                                                                                                                                                                                                    | 34579-235                                                                                                                                           | 20817-501                                                                                                                                                                                                                                                                                                                                                                              |
|          | silver | 24560-256                                                                                                                                                                                                                                                                                            | —                                                                                                                                                   | —                                                                                                                                                                                                                                                                                                                                                                                      |

1) SPQ (standard pack quantity): Part number includes 1 piece, but delivery is exclusively made in standard pack quantity (SPQ); please order at least the SPQ quantity or a multiple

2) Part no. includes one packing unit (PU); delivery is exclusively made in PU

Guide rail accessories

Order Information

|             |        | ESD clips for guide rails                                                                                                               | Board locking for PCBs without front panel; for accessory type guide rails                                                     | PCB handle for board locking; for accessory type guide rails                                                                                                                      | Identification strips                                                                             |
|-------------|--------|-----------------------------------------------------------------------------------------------------------------------------------------|--------------------------------------------------------------------------------------------------------------------------------|-----------------------------------------------------------------------------------------------------------------------------------------------------------------------------------|---------------------------------------------------------------------------------------------------|
|             |        | <br>04503050                                         | <br>04805050                                | <br>04805051                                                                                  | <br>06108076 |
|             |        | Spring steel, tin-plated, provides conductive contact between board and horizontal rail, on both the solder side and the component side | PBT, UL 94 V-0, red, to fix the PCB in the subrack (also slot 1), can also be used without board handle, minimum distance 3 HP | PBT, UL 94 V-0, red, insertion/ extraction function with connection to board locking (also slot 1), mounting directly behind front panel (above and below), minimum distance 3 HP | Polyester film, 31 x 4 mm, self-adhesive, white/matt (1 A4 sheet contains 438 pieces)             |
| Assembly    | Colour | <b>silver</b><br>PU 50 pieces                                                                                                           | <b>red</b><br>PU 10 pieces                                                                                                     | <b>red</b><br>PU 10 pieces                                                                                                                                                        | <b>white/matt</b><br>1 piece                                                                      |
| above/below |        | 24560-255                                                                                                                               | 24560-377                                                                                                                      | 24560-378                                                                                                                                                                         | 60817-228                                                                                         |

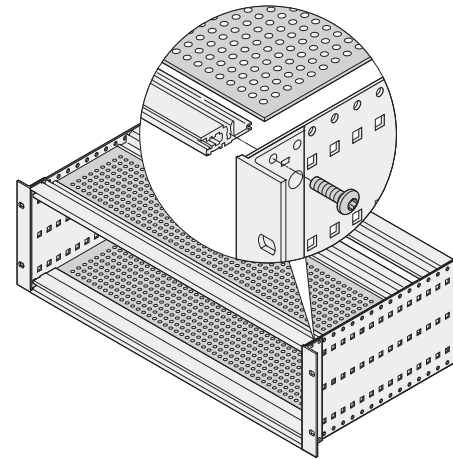
Shielding for top and bottom

Cover plates can be used for electromagnetic shielding (with EMC contact springs) or as mechanical protection (without EMC springs)

**Cover plates for mechanical protection**

- Cover plates are inserted into the grooves of the front and rear horizontal rails, type L "light"

see page 6.43



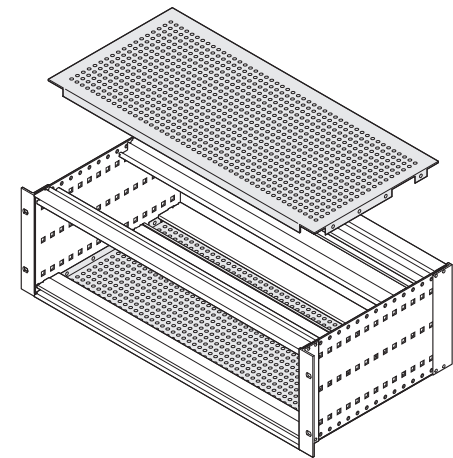
06108077

**Cover plates with EMC shielding and mechanical protection**

**EMC cover plates for top and bottom**

- Inserted in the groove of the front and rear horizontal rails; shielding with contact springs, lateral contact by bolting the bracket to the side panel
- Used when standard-depth PCBs (160, 220, 280, ...) are fitted

see page 6.44

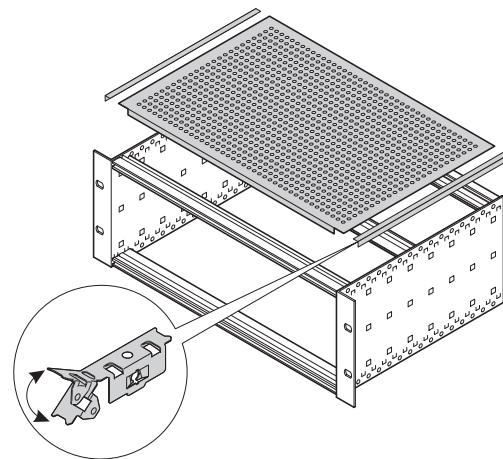


06102084

**Universal EMC cover plates for top and bottom**

- Inserted in the groove of the front and rear horizontal rails; shielding with contact springs, lateral contact by bolting to the side panel with special contact springs
- Used when PCBs with special dimensions are fitted

see page 6.45

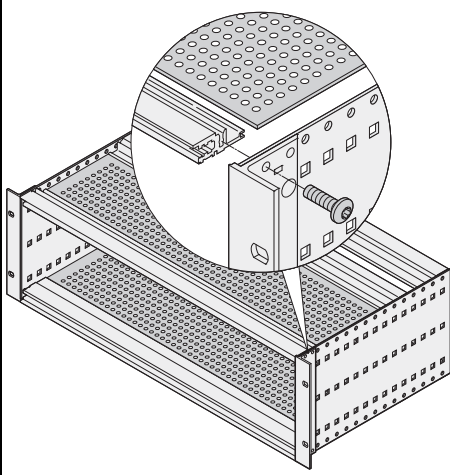


06105082

# Subracks - *europac PRO* ServicePLUS

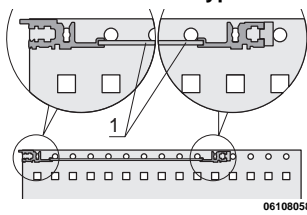
Cover plates for mechanical protection  
(insertion into horizontal rail type L)

## Order Information



06197010

**Cover plates for insertion into horizontal rail type L**



06108058

Perforated Al plate, 1.2 mm, hole diameter 3.8 mm, Al, untreated, perforation degree 60 %; for insertion into the groove of the light horizontal rails (type L)

| Width HP | Depth mm | Application        | PU 1 pair        |
|----------|----------|--------------------|------------------|
| 42       | 175      | 160 mm board depth | <b>24561-031</b> |
| 63       | 175      | 160 mm board depth | 24561-041        |
| 84       | 175      | 160 mm board depth | 24561-051        |
| 84       | 235      | 220 mm board depth | 24561-052        |

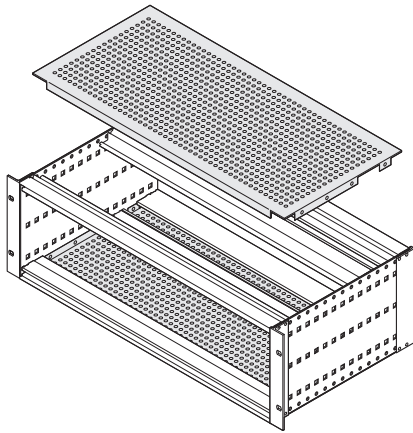
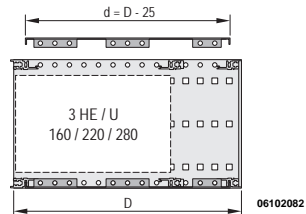
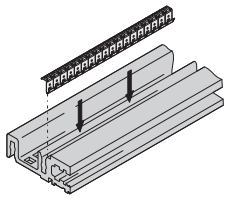
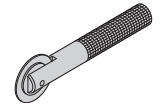
### Note

- Other dimensions on request

EMC cover plates and mechanical protection

- Cover plate for bolting to side panel
- Used when standard-depth PCBs (160, 220, 280, ...) are fitted

Order Information

|                                                                               |        |                                             |                                                                                 |              |                                                       |  |
|----------------------------------------------------------------------------------------------------------------------------------------------------------------|--------|---------------------------------------------|------------------------------------------------------------------------------------------------------------------------------------------------------------------|--------------|------------------------------------------------------------------------------------------------------------------------------------------|--|
|                                                                                                                                                                |        |                                             | Al, 1.0 mm, hole diameter 4.0 mm, passivated, perforation degree 58 %, incl. fixing screws; for shielding 4 stainless steel EMC gaskets are required per subrack |              | stainless steel EMC gasket, clips into the horizontal rail and forms the contact with the cover plate; suitable for all horizontal rails |  |
| Width                                                                                                                                                          | Depth  | Application                                 | PU 1 pair                                                                                                                                                        | PU 10 pieces | PU 100 pieces                                                                                                                            |  |
| 42                                                                                                                                                             | 175    | 160 mm board depth                          | 24560-064                                                                                                                                                        |              |                                                                                                                                          |  |
| 42                                                                                                                                                             | 235    | 160, 220 mm board depth                     | 24560-065                                                                                                                                                        |              |                                                                                                                                          |  |
| 42                                                                                                                                                             | 275    | 160, 220 mm board depth CompactPCI (275 mm) | 24560-061                                                                                                                                                        | 24560-241    | -                                                                                                                                        |  |
| 42                                                                                                                                                             | 277.75 | 160, 220 mm board depth VME64x (277.75 mm)  | 24579-090                                                                                                                                                        |              |                                                                                                                                          |  |
| 42                                                                                                                                                             | 295    | 160, 220, 280 mm board depth                | 24560-066                                                                                                                                                        |              |                                                                                                                                          |  |
| 63                                                                                                                                                             | 175    | 160 mm board depth                          | 24560-071                                                                                                                                                        |              |                                                                                                                                          |  |
| 63                                                                                                                                                             | 235    | 160, 220 mm board depth                     | 24560-072                                                                                                                                                        | 24560-243    | -                                                                                                                                        |  |
| 63                                                                                                                                                             | 275    | 160, 220 mm board depth CompactPCI (275 mm) | 24560-062                                                                                                                                                        |              |                                                                                                                                          |  |
| 63                                                                                                                                                             | 295    | 160, 220, 280 mm board depth                | 24560-073                                                                                                                                                        |              |                                                                                                                                          |  |
| 84                                                                                                                                                             | 175    | 160 mm board depth                          | 24560-078                                                                                                                                                        |              |                                                                                                                                          |  |
| 84                                                                                                                                                             | 235    | 160, 220 mm board depth                     | 24560-079                                                                                                                                                        |              |                                                                                                                                          |  |
| 84                                                                                                                                                             | 275    | 160, 220 mm board depth CompactPCI (275 mm) | 24560-063                                                                                                                                                        | 24560-245    | 24560-246                                                                                                                                |  |
| 84                                                                                                                                                             | 277.75 | 160, 220 mm board depth VME64x (277.75 mm)  | 24579-092                                                                                                                                                        |              |                                                                                                                                          |  |
| 84                                                                                                                                                             | 295    | 160, 220, 280 mm board depth                | 24560-080                                                                                                                                                        |              |                                                                                                                                          |  |
| 84                                                                                                                                                             | 355    | 160, 220, 280 mm board depth                | 24560-081                                                                                                                                                        |              |                                                                                                                                          |  |
| 84                                                                                                                                                             | 415    | 160, 220, 280 mm board depth                | 24560-082                                                                                                                                                        |              |                                                                                                                                          |  |
| 84                                                                                                                                                             | 475    | 160, 220, 280 mm board depth                | 24560-083                                                                                                                                                        |              |                                                                                                                                          |  |
| Assembly tool, for EMC gasket, stainless steel (horizontal rails), 1 piece  |        |                                             | -                                                                                                                                                                | 24560-271    |                                                                                                                                          |  |

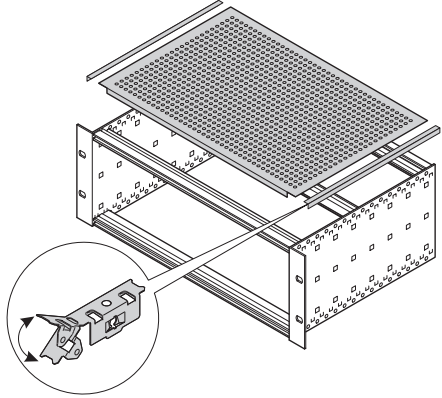
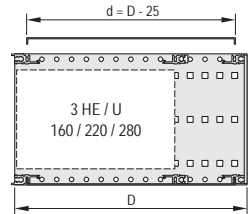
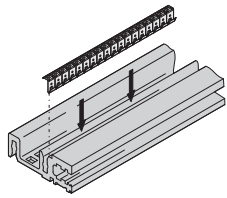
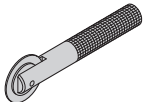
Note

- Cover plates without perforation available on request



■ Used when PCBs with special dimensions are fitted

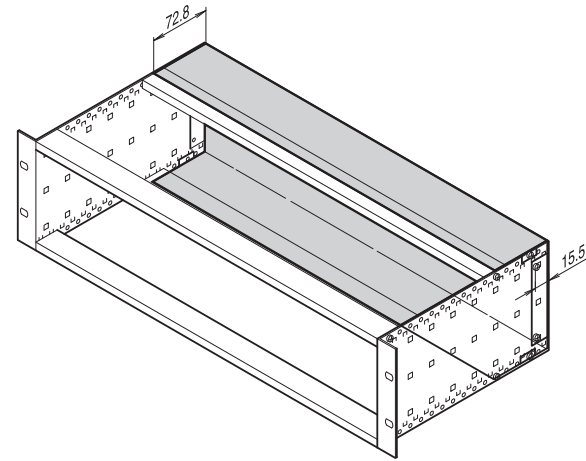
Order Information

|  <p>06105082</p>                                                                     |             |                              | <p><b>Universal cover plate</b></p>  <p>06108079</p> <p>Al, 1.0 mm, hole diameter 4.0 mm, passivated, perforation degree 58 %, incl. lateral EMC sealing, incl. fixing screws</p> |                     | <p><b>Stainless steel EMC gasket, between cover plate and horizontal rail</b></p>  <p>06106052</p> <p>stainless steel EMC gasket, clips into the horizontal rail and forms the contact with the cover plate; suitable for all horizontal rails</p> |  |
|-----------------------------------------------------------------------------------------------------------------------------------------------------------------------|-------------|------------------------------|--------------------------------------------------------------------------------------------------------------------------------------------------------------------------------------------------------------------------------------------------------------------|---------------------|---------------------------------------------------------------------------------------------------------------------------------------------------------------------------------------------------------------------------------------------------------------------------------------------------------------------------------------|--|
| Width<br>HP                                                                                                                                                           | Depth<br>mm | Application                  | <b>PU 1 pair</b>                                                                                                                                                                                                                                                   | <b>PU 10 pieces</b> | <b>PU 100 pieces</b>                                                                                                                                                                                                                                                                                                                  |  |
| 42                                                                                                                                                                    | 175         | 160 mm board depth           | 24560-031                                                                                                                                                                                                                                                          |                     |                                                                                                                                                                                                                                                                                                                                       |  |
| 42                                                                                                                                                                    | 235         | 160, 220 mm board depth      | 24560-032                                                                                                                                                                                                                                                          | 24560-241           | -                                                                                                                                                                                                                                                                                                                                     |  |
| 42                                                                                                                                                                    | 295         | 160, 220, 280 mm board depth | 24560-033                                                                                                                                                                                                                                                          |                     |                                                                                                                                                                                                                                                                                                                                       |  |
| 63                                                                                                                                                                    | 175         | 160 mm board depth           | 24560-041                                                                                                                                                                                                                                                          |                     |                                                                                                                                                                                                                                                                                                                                       |  |
| 63                                                                                                                                                                    | 235         | 160, 220 mm board depth      | 24560-042                                                                                                                                                                                                                                                          | 24560-243           | -                                                                                                                                                                                                                                                                                                                                     |  |
| 63                                                                                                                                                                    | 295         | 160, 220, 280 mm board depth | 24560-043                                                                                                                                                                                                                                                          |                     |                                                                                                                                                                                                                                                                                                                                       |  |
| 84                                                                                                                                                                    | 175         | 160 mm board depth           | 24560-051                                                                                                                                                                                                                                                          |                     |                                                                                                                                                                                                                                                                                                                                       |  |
| 84                                                                                                                                                                    | 235         | 160, 220 mm board depth      | 24560-052                                                                                                                                                                                                                                                          |                     |                                                                                                                                                                                                                                                                                                                                       |  |
| 84                                                                                                                                                                    | 295         | 160, 220, 280 mm board depth | 24560-053                                                                                                                                                                                                                                                          | 24560-245           | 24560-246                                                                                                                                                                                                                                                                                                                             |  |
| 84                                                                                                                                                                    | 355         | 160, 220, 280 mm board depth | 24560-054                                                                                                                                                                                                                                                          |                     |                                                                                                                                                                                                                                                                                                                                       |  |
| 84                                                                                                                                                                    | 415         | 160, 220, 280 mm board depth | 24560-055                                                                                                                                                                                                                                                          |                     |                                                                                                                                                                                                                                                                                                                                       |  |
| 84                                                                                                                                                                    | 475         | 160, 220, 280 mm board depth | 24560-056                                                                                                                                                                                                                                                          |                     |                                                                                                                                                                                                                                                                                                                                       |  |
| <p>Assembly tool, for EMC gasket, stainless steel (horizontal rails), 1 piece</p>  |             |                              | -                                                                                                                                                                                                                                                                  | 24560-271           |                                                                                                                                                                                                                                                                                                                                       |  |

Cover/shielding to front and rear

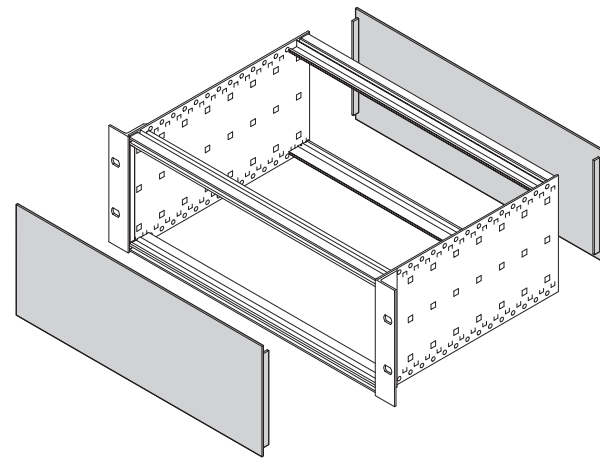
- The front and rear sides of the subrack can be shielded by a hinged front panel or by a fixed front panel and 19" brackets
- The rear can be shielded with a front panel and a corner profile

Rear hood



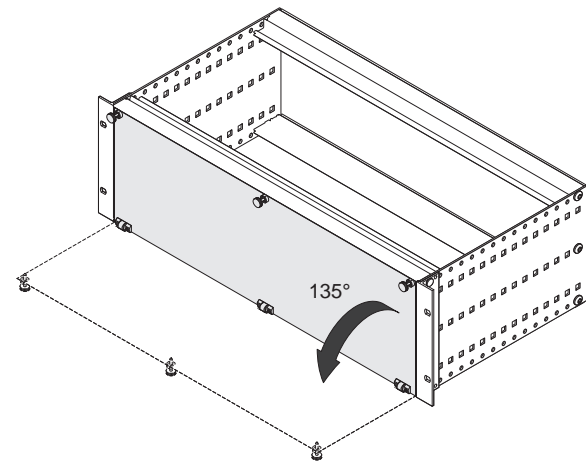
BZA45814

Front panel for front and rear



06112089

Front panel, hinged/pivoted

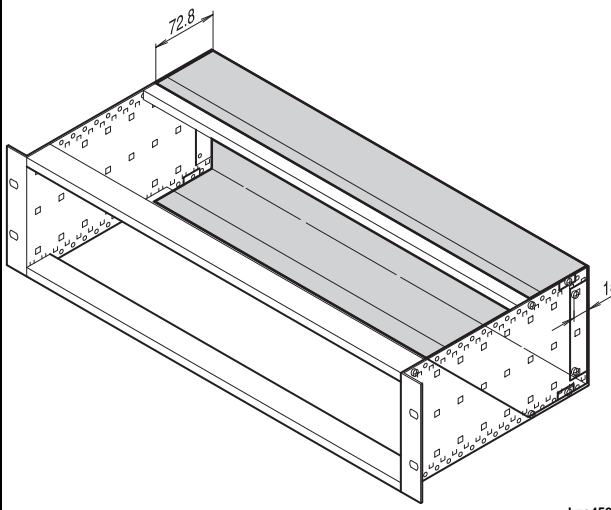
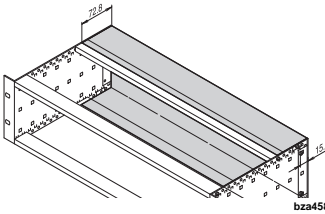
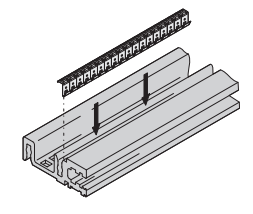


06112090

# Subracks - *europac PRO* ServicePLUS

Rear hood for 3 U and 6 U subracks  
(for stainless steel EMC gasket)

## Order Information

|                                                                                   |              |                                                                                                                                                                                                                                                                                                                                                                      |                                                                                                                                                                                                                                                                                                                                       |                      |
|-----------------------------------------------------------------------------------|--------------|----------------------------------------------------------------------------------------------------------------------------------------------------------------------------------------------------------------------------------------------------------------------------------------------------------------------------------------------------------------------|---------------------------------------------------------------------------------------------------------------------------------------------------------------------------------------------------------------------------------------------------------------------------------------------------------------------------------------|----------------------|
|  |              | <p><b>Rear hood</b></p>  <p>Al, 1 mm, clear passivated;<br/>60 mm additional side panel depth<br/>required (board depth + 60 mm);<br/>for shielding please order EMC gasket<br/>for horizontal rail separately;<br/>cannot be used simultaneously with<br/>rear corner profile</p> | <p><b>Stainless steel EMC gasket,<br/>between cover plate and horizontal rail</b></p>  <p>stainless steel EMC gasket,<br/>clips into the horizontal rail and<br/>forms the contact with the cover plate;<br/>suitable for all horizontal rails</p> |                      |
| <b>Height</b>                                                                     | <b>Width</b> | <b>1 piece</b>                                                                                                                                                                                                                                                                                                                                                       | <b>PU 10 pieces</b>                                                                                                                                                                                                                                                                                                                   | <b>PU 100 pieces</b> |
| <b>U</b>                                                                          | <b>HP</b>    |                                                                                                                                                                                                                                                                                                                                                                      |                                                                                                                                                                                                                                                                                                                                       |                      |
| 3                                                                                 | 42           | 34561-750                                                                                                                                                                                                                                                                                                                                                            | 24560-241                                                                                                                                                                                                                                                                                                                             | —                    |
| 3                                                                                 | 84           | 34561-752                                                                                                                                                                                                                                                                                                                                                            | 24560-245                                                                                                                                                                                                                                                                                                                             | 24560-246            |
| 6                                                                                 | 63           | 34561-763                                                                                                                                                                                                                                                                                                                                                            | 24560-243                                                                                                                                                                                                                                                                                                                             | —                    |
| 6                                                                                 | 84           | 34561-764                                                                                                                                                                                                                                                                                                                                                            | 24560-245                                                                                                                                                                                                                                                                                                                             | 24560-246            |
| Torx panhead screw, M4 x 6,<br>St, zinc-plated, PU 100 pieces                     |              | 24560-135                                                                                                                                                                                                                                                                                                                                                            | —                                                                                                                                                                                                                                                                                                                                     |                      |
| Assembly tool, for EMC gasket,<br>stainless steel (horizontal rails), 1 piece     |              | —                                                                                                                                                                                                                                                                                                                                                                    | 24560-271                                                                                                                                                                                                                                                                                                                             |                      |


### Note

- Other dimensions of rear hood available on request

Front/rear panels, unshielded

**FRONT PANEL**  
*EXPRESS*

Order Information

| <br>04292001 |              |             | Front panel                                        |                                  |                            |                                  |                                                                     |                                  |
|-----------------------------------------------------------------------------------------------|--------------|-------------|----------------------------------------------------|----------------------------------|----------------------------|----------------------------------|---------------------------------------------------------------------|----------------------------------|
|                                                                                               |              |             | pre-anodised,<br>cut edges plain<br><br>Al, 2.5 mm |                                  | anodised<br><br>Al, 2.5 mm |                                  | Front anodised,<br>rear iridescent green<br>chromated<br>Al, 2.5 mm |                                  |
| Height<br>U                                                                                   | Height<br>mm | Width<br>HP | 1 piece                                            | 1 piece<br>(SPQ 5) <sup>1)</sup> | 1 piece                    | 1 piece<br>(SPQ 5) <sup>1)</sup> | 1 piece                                                             | 1 piece<br>(SPQ 5) <sup>1)</sup> |
| 1                                                                                             | 44.45        | 28          | -                                                  | -                                | -                          | -                                | 20850-423                                                           | -                                |
| 1                                                                                             | 44.45        | 42          | -                                                  | -                                | -                          | -                                | 20850-424                                                           | -                                |
| 1                                                                                             | 44.45        | 63          | -                                                  | -                                | -                          | -                                | 20850-425                                                           | -                                |
| 1                                                                                             | 44.45        | 84          | -                                                  | -                                | -                          | -                                | 20850-426                                                           | -                                |
| 2                                                                                             | 84.0         | 84          | 30818-271                                          | -                                | 30807-416                  | -                                | 30847-461                                                           | -                                |
| 3                                                                                             | 128.4        | 2           | -                                                  | 30810-433                        | -                          | 30810-432                        | -                                                                   | 30847-470                        |
| 3                                                                                             | 128.4        | 3           | -                                                  | 30818-272                        | -                          | 30807-508                        | -                                                                   | 30847-471                        |
| 3                                                                                             | 128.4        | 4           | -                                                  | 30818-273                        | -                          | 30807-481                        | -                                                                   | 30838-043                        |
| 3                                                                                             | 128.4        | 5           | -                                                  | 30818-274                        | -                          | 30807-510                        | -                                                                   | 30838-044                        |
| 3                                                                                             | 128.4        | 6           | -                                                  | 30818-275                        | -                          | 30807-482                        | -                                                                   | 30838-045                        |
| 3                                                                                             | 128.4        | 7           | -                                                  | 30818-276                        | -                          | 30807-509                        | -                                                                   | 30838-046                        |
| 3                                                                                             | 128.4        | 8           | -                                                  | 30818-277                        | -                          | 30807-484                        | -                                                                   | 30838-047                        |
| 3                                                                                             | 128.4        | 10          | -                                                  | 30818-279                        | -                          | 30807-483                        | -                                                                   | 30838-049                        |
| 3                                                                                             | 128.4        | 12          | -                                                  | 30818-281                        | -                          | 30807-485                        | -                                                                   | 30838-051                        |
| 3                                                                                             | 128.4        | 14          | -                                                  | 30818-282                        | -                          | 30807-501                        | -                                                                   | 30838-053                        |
| 3                                                                                             | 128.4        | 21          | -                                                  | 30818-289                        | -                          | 30807-487                        | -                                                                   | 30838-060                        |
| 3                                                                                             | 128.4        | 28          | -                                                  | 30818-296                        | -                          | 30807-496                        | -                                                                   | 30838-067                        |
| 3                                                                                             | 128.4        | 42          | 30818-310                                          | -                                | 30807-494                  | -                                | 30838-081                                                           | -                                |
| 3                                                                                             | 128.4        | 63          | 30818-331                                          | -                                | 30808-067                  | -                                | 30838-102                                                           | -                                |
| 3                                                                                             | 128.4        | 84          | 30818-352                                          | -                                | 30807-506                  | -                                | 30838-123                                                           | -                                |
| 4                                                                                             | 172.9        | 42          | -                                                  | -                                | -                          | -                                | 30847-463                                                           | -                                |
| 4                                                                                             | 172.9        | 63          | -                                                  | -                                | -                          | -                                | 30847-464                                                           | -                                |
| 4                                                                                             | 172.9        | 84          | 30818-434                                          | -                                | 30807-596                  | -                                | 30847-465                                                           | -                                |
| 6                                                                                             | 261.8        | 2           | -                                                  | 30818-747                        | -                          | 30818-741                        | -                                                                   | 30847-472                        |
| 6                                                                                             | 261.8        | 4           | -                                                  | 30818-518                        | -                          | -                                | -                                                                   | 30838-124                        |
| 6                                                                                             | 261.8        | 5           | -                                                  | -                                | -                          | -                                | -                                                                   | 30838-125                        |
| 6                                                                                             | 261.8        | 6           | -                                                  | -                                | -                          | -                                | -                                                                   | 30838-126                        |
| 6                                                                                             | 261.8        | 7           | -                                                  | -                                | -                          | -                                | -                                                                   | 30838-127                        |
| 6                                                                                             | 261.8        | 8           | -                                                  | 30818-522                        | -                          | -                                | -                                                                   | 30838-128                        |
| 6                                                                                             | 261.8        | 10          | -                                                  | 30818-524                        | -                          | 30807-753                        | -                                                                   | 30838-130                        |
| 6                                                                                             | 261.8        | 12          | -                                                  | 30818-526                        | -                          | -                                | -                                                                   | 30838-132                        |
| 6                                                                                             | 261.8        | 14          | -                                                  | 30818-528                        | -                          | 30807-758                        | -                                                                   | 30838-134                        |
| 6                                                                                             | 261.8        | 16          | -                                                  | 30818-530                        | -                          | -                                | -                                                                   | 30838-136                        |
| 6                                                                                             | 261.8        | 21          | -                                                  | 30818-535                        | -                          | 30807-757                        | -                                                                   | 30838-141                        |
| 6                                                                                             | 261.8        | 28          | -                                                  | 30818-542                        | -                          | 30807-766                        | -                                                                   | 30838-148                        |
| 6                                                                                             | 261.8        | 42          | 30818-556                                          | -                                | 30807-764                  | -                                | 30838-162                                                           | -                                |
| 6                                                                                             | 261.8        | 63          | 30818-577                                          | -                                | 30807-771                  | -                                | 30838-183                                                           | -                                |
| 6                                                                                             | 261.8        | 84          | 30818-598                                          | -                                | 30807-776                  | -                                | 30838-204                                                           | -                                |
| 9                                                                                             | 395.1        | 4           | -                                                  | -                                | -                          | -                                | -                                                                   | 30847-476                        |
| 9                                                                                             | 395.1        | 8           | -                                                  | -                                | -                          | -                                | -                                                                   | 30847-480                        |
| 9                                                                                             | 395.1        | 10          | -                                                  | -                                | -                          | -                                | -                                                                   | 30847-482                        |
| 9                                                                                             | 395.1        | 12          | -                                                  | -                                | -                          | -                                | -                                                                   | 30847-484                        |
| 9                                                                                             | 395.1        | 84          | -                                                  | -                                | -                          | -                                | 30847-556                                                           | -                                |

■ Front panel assembly kits, sleeves, collar screws, quick-release fasteners see page 6.63

1) SPQ (standard pack quantity): Part number includes 1 piece, but delivery is exclusively made in standard pack quantity (SPQ); please order at least the SPQ quantity or a multiple




Subracks - **europac PRO** ServicePLUS

Front/rear panels shieldable with stainless steel EMC gasket

**FRONT PANEL**  
**EXPRESS**

Order Information

| <br>04292001 |           |          | Front panel                                                                                                                                                            |                               |                                                                                                                           |               |
|-----------------------------------------------------------------------------------------------|-----------|----------|------------------------------------------------------------------------------------------------------------------------------------------------------------------------|-------------------------------|---------------------------------------------------------------------------------------------------------------------------|---------------|
|                                                                                               |           |          | Front panel for shielding with EMC gasket (stainless steel)<br>Al, 2.5 mm, front anodized, rear iridescent green chromated, 2 alignment pins pressed-in, St, stainless |                               | Stainless steel EMC gasket<br>inserted laterally into the grooves of the front panel, suited for temperatures above 70 °C |               |
| Height U                                                                                      | Height mm | Width HP | 1 piece                                                                                                                                                                | 1 piece (SPQ 5) <sup>1)</sup> | PU 10 pieces                                                                                                              | PU 100 pieces |
| 2                                                                                             | 84        | 84       | 30846-588                                                                                                                                                              | –                             | 21101-775                                                                                                                 | 21101-776     |
| 3                                                                                             | 128.4     | 2        | –                                                                                                                                                                      | 30846-864                     | 21101-705                                                                                                                 | 21101-706     |
| 3                                                                                             | 128.4     | 3        | –                                                                                                                                                                      | 20846-425                     |                                                                                                                           |               |
| 3                                                                                             | 128.4     | 4        | –                                                                                                                                                                      | 20846-426                     |                                                                                                                           |               |
| 3                                                                                             | 128.4     | 5        | –                                                                                                                                                                      | 20846-427                     |                                                                                                                           |               |
| 3                                                                                             | 128.4     | 6        | –                                                                                                                                                                      | 20846-428                     |                                                                                                                           |               |
| 3                                                                                             | 128.4     | 7        | –                                                                                                                                                                      | 20846-429                     |                                                                                                                           |               |
| 3                                                                                             | 128.4     | 8        | –                                                                                                                                                                      | 20846-430                     |                                                                                                                           |               |
| 3                                                                                             | 128.4     | 10       | –                                                                                                                                                                      | 20846-431                     |                                                                                                                           |               |
| 3                                                                                             | 128.4     | 12       | –                                                                                                                                                                      | 20846-432                     |                                                                                                                           |               |
| 3                                                                                             | 128.4     | 14       | –                                                                                                                                                                      | 20846-433                     |                                                                                                                           |               |
| 3                                                                                             | 128.4     | 21       | –                                                                                                                                                                      | 20846-434                     |                                                                                                                           |               |
| 3                                                                                             | 128.4     | 28       | –                                                                                                                                                                      | 20846-436                     |                                                                                                                           |               |
| 3                                                                                             | 128.4     | 42       | 20846-437                                                                                                                                                              | –                             |                                                                                                                           |               |
| 3                                                                                             | 128.4     | 63       | 20846-438                                                                                                                                                              | –                             |                                                                                                                           |               |
| 3                                                                                             | 128.4     | 84       | 30846-676                                                                                                                                                              | –                             |                                                                                                                           |               |
| 4                                                                                             | 172.9     | 42       | 30846-681                                                                                                                                                              | –                             | 21101-713                                                                                                                 | 21101-714     |
| 4                                                                                             | 172.9     | 63       | 30846-682                                                                                                                                                              | –                             |                                                                                                                           |               |
| 4                                                                                             | 172.9     | 84       | 30846-683                                                                                                                                                              | –                             |                                                                                                                           |               |
| 6                                                                                             | 261.8     | 2        | –                                                                                                                                                                      | 30846-865                     | 21101-707                                                                                                                 | 21101-708     |
| 6                                                                                             | 261.8     | 4        | –                                                                                                                                                                      | 20846-443                     |                                                                                                                           |               |
| 6                                                                                             | 261.8     | 5        | –                                                                                                                                                                      | 20846-444                     |                                                                                                                           |               |
| 6                                                                                             | 261.8     | 6        | –                                                                                                                                                                      | 20846-445                     |                                                                                                                           |               |
| 6                                                                                             | 261.8     | 7        | –                                                                                                                                                                      | 20846-446                     |                                                                                                                           |               |
| 6                                                                                             | 261.8     | 8        | –                                                                                                                                                                      | 20846-447                     |                                                                                                                           |               |
| 6                                                                                             | 261.8     | 10       | –                                                                                                                                                                      | 20846-448                     |                                                                                                                           |               |
| 6                                                                                             | 261.8     | 12       | –                                                                                                                                                                      | 20846-449                     |                                                                                                                           |               |
| 6                                                                                             | 261.8     | 14       | –                                                                                                                                                                      | 20846-450                     |                                                                                                                           |               |
| 6                                                                                             | 261.8     | 16       | –                                                                                                                                                                      | 20846-456                     |                                                                                                                           |               |
| 6                                                                                             | 261.8     | 21       | –                                                                                                                                                                      | 20846-451                     |                                                                                                                           |               |
| 6                                                                                             | 261.8     | 28       | –                                                                                                                                                                      | 20846-452                     |                                                                                                                           |               |
| 6                                                                                             | 261.8     | 42       | 20846-453                                                                                                                                                              | –                             |                                                                                                                           |               |
| 6                                                                                             | 261.8     | 63       | 20846-454                                                                                                                                                              | –                             |                                                                                                                           |               |
| 6                                                                                             | 261.8     | 84       | 30846-771                                                                                                                                                              | –                             |                                                                                                                           |               |
| 9                                                                                             | 395.1     | 84       | 30846-859                                                                                                                                                              | –                             | 21101-709                                                                                                                 | 21101-710     |
| Assembly tool, for stainless steel EMC gasket                                                 |           |          |                                                                                                                                                                        |                               | 24560-270                                                                                                                 |               |

■ Front panel assembly kits, sleeves, collar screws, quick-release fasteners see page 6.63


1) SPQ (standard pack quantity): Part number includes 1 piece, but delivery is exclusively made in standard pack quantity (SPQ); please order at least the SPQ quantity or a multiple

## Subracks - *europac PRO* ServicePLUS

Front/rear panels shieldable with textile EMC gasket

### FRONT PANEL EXPRESS



#### Order Information

|  |           |          | Front panel                                                                                                                                                                       |                               |                    |               |
|----------------------------------------------------------------------------------|-----------|----------|-----------------------------------------------------------------------------------------------------------------------------------------------------------------------------------|-------------------------------|--------------------|---------------|
|                                                                                  |           |          | Front panel for shielding with EMC sealing (textile)                                                                                                                              |                               | Textile EMC gasket |               |
| Height U                                                                         | Height mm | Width HP | Al extrusion, 2.5 mm, front anodised, rear conductive; 3, 6 U with alignment pin (not 84 HP)<br>textile gasket, core: foam, sleeve: textile cladding with CuNi coating, UL 94 V-0 |                               |                    |               |
|                                                                                  |           |          | 1 piece                                                                                                                                                                           | 1 piece (SPQ 5) <sup>1)</sup> | PU 10 pieces       | PU 100 pieces |
| 2                                                                                | 84        | 84       | 20848-262                                                                                                                                                                         | -                             | -                  | 21101-856     |
| 3                                                                                | 128.4     | 2        | -                                                                                                                                                                                 | 30849-001                     |                    |               |
| 3                                                                                | 128.4     | 3        | -                                                                                                                                                                                 | 30849-004                     |                    |               |
| 3                                                                                | 128.4     | 4        | -                                                                                                                                                                                 | 30848-354                     |                    |               |
| 3                                                                                | 128.4     | 5        | -                                                                                                                                                                                 | 30848-378                     |                    |               |
| 3                                                                                | 128.4     | 6        | -                                                                                                                                                                                 | 30848-380                     |                    |               |
| 3                                                                                | 128.4     | 7        | -                                                                                                                                                                                 | 30848-382                     |                    |               |
| 3                                                                                | 128.4     | 8        | -                                                                                                                                                                                 | 30848-356                     |                    |               |
| 3                                                                                | 128.4     | 10       | -                                                                                                                                                                                 | 30848-386                     | 21101-853          | 21101-854     |
| 3                                                                                | 128.4     | 12       | -                                                                                                                                                                                 | 30848-358                     |                    |               |
| 3                                                                                | 128.4     | 14       | -                                                                                                                                                                                 | 20848-013                     |                    |               |
| 3                                                                                | 128.4     | 21       | -                                                                                                                                                                                 | 20848-020                     |                    |               |
| 3                                                                                | 128.4     | 28       | -                                                                                                                                                                                 | 20848-027                     |                    |               |
| 3                                                                                | 128.4     | 42       | 20848-047                                                                                                                                                                         | -                             |                    |               |
| 3                                                                                | 128.4     | 63       | 20848-068                                                                                                                                                                         | -                             |                    |               |
| 3                                                                                | 128.4     | 84       | 20848-097                                                                                                                                                                         | -                             |                    |               |
| 4                                                                                | 172.9     | 28       | -                                                                                                                                                                                 | 20848-268                     |                    |               |
| 4                                                                                | 172.9     | 42       | 20848-269                                                                                                                                                                         | -                             | 21101-858          | -             |
| 4                                                                                | 172.9     | 63       | 20848-270                                                                                                                                                                         | -                             |                    |               |
| 4                                                                                | 172.9     | 84       | 20848-271                                                                                                                                                                         | -                             |                    |               |
| 6                                                                                | 261.8     | 2        | -                                                                                                                                                                                 | 30849-002                     |                    |               |
| 6                                                                                | 261.8     | 4        | -                                                                                                                                                                                 | 30848-355                     |                    |               |
| 6                                                                                | 261.8     | 5        | -                                                                                                                                                                                 | 30848-379                     |                    |               |
| 6                                                                                | 261.8     | 6        | -                                                                                                                                                                                 | 30848-381                     |                    |               |
| 6                                                                                | 261.8     | 7        | -                                                                                                                                                                                 | 30848-383                     |                    |               |
| 6                                                                                | 261.8     | 8        | -                                                                                                                                                                                 | 30848-357                     |                    |               |
| 6                                                                                | 261.8     | 10       | -                                                                                                                                                                                 | 30848-387                     |                    |               |
| 6                                                                                | 261.8     | 12       | -                                                                                                                                                                                 | 30848-359                     | 21101-855          | 21101-856     |
| 6                                                                                | 261.8     | 14       | -                                                                                                                                                                                 | 20848-106                     |                    |               |
| 6                                                                                | 261.8     | 16       | -                                                                                                                                                                                 | 20848-108                     |                    |               |
| 6                                                                                | 261.8     | 21       | -                                                                                                                                                                                 | 20848-113                     |                    |               |
| 6                                                                                | 261.8     | 28       | -                                                                                                                                                                                 | 20848-120                     |                    |               |
| 6                                                                                | 261.8     | 42       | 20848-139                                                                                                                                                                         | -                             |                    |               |
| 6                                                                                | 261.8     | 63       | 20848-160                                                                                                                                                                         | -                             |                    |               |
| 6                                                                                | 261.8     | 84       | 20848-189                                                                                                                                                                         | -                             |                    |               |
| 9                                                                                | 395.1     | 84       | 20848-280                                                                                                                                                                         | -                             | 21101-859          | 21101-904     |

■ Front panel assembly kits, sleeves, collar screws, quick-release fasteners see page 6.63

1) SPQ (standard pack quantity): Part number includes 1 piece, but delivery is exclusively made in standard pack quantity (SPQ); please order at least the SPQ quantity or a multiple

Order Information

|               |              | Front panel, bottom-hinged                                                                                                                                                                |                                                                                                                                           | Front panel, pivoted                                                                                                 |
|---------------|--------------|-------------------------------------------------------------------------------------------------------------------------------------------------------------------------------------------|-------------------------------------------------------------------------------------------------------------------------------------------|----------------------------------------------------------------------------------------------------------------------|
|               |              | shielded                                                                                                                                                                                  | unshielded                                                                                                                                |                                                                                                                      |
|               |              |                                                                                                          |                                                        |                                                                                                                      |
|               |              | Al, 2.5 mm, front anodised, rear iridescent green chromated; hinge, Zn die-cast, nickel-plated; 2 x sleeve, PA; 2 x knurled screws M2.5 x 12.3, St, nickel-plated; 1 x textile EMC gasket | Al, 2.5 mm, anodised, cut edges plain; hinge, Zn die-cast, nickel-plated; 2 x sleeve, PA; 2 knurled screws M2.5 x 12.3, St, nickel-plated | Al, 2.5 mm, front anodised, rear iridescent green chromated; hinge, die-cast zinc, chrome-plated; textile EMC gasket |
| <b>Height</b> | <b>Width</b> | <b>1 piece</b>                                                                                                                                                                            | <b>1 piece</b>                                                                                                                            | <b>1 piece</b>                                                                                                       |
| <b>U</b>      | <b>HP</b>    |                                                                                                                                                                                           |                                                                                                                                           |                                                                                                                      |
| 3             | 28           | 20848-608                                                                                                                                                                                 | 20838-280                                                                                                                                 | -                                                                                                                    |
| 3             | 42           | 20848-599                                                                                                                                                                                 | 20838-271                                                                                                                                 | -                                                                                                                    |
| 3             | 63           | 20848-600                                                                                                                                                                                 | 20838-272                                                                                                                                 | -                                                                                                                    |
| 3             | 84           | 20848-601                                                                                                                                                                                 | 20838-273                                                                                                                                 | 20848-611                                                                                                            |
| 4             | 42           | 20848-605                                                                                                                                                                                 | 20838-277                                                                                                                                 | -                                                                                                                    |
| 4             | 63           | 20848-606                                                                                                                                                                                 | 20838-278                                                                                                                                 | -                                                                                                                    |
| 4             | 84           | 20848-607                                                                                                                                                                                 | 20838-279                                                                                                                                 | -                                                                                                                    |
| 6             | 28           | 20848-696                                                                                                                                                                                 | -                                                                                                                                         | -                                                                                                                    |
| 6             | 42           | 20848-602                                                                                                                                                                                 | 20838-274                                                                                                                                 | -                                                                                                                    |
| 6             | 63           | 20848-603                                                                                                                                                                                 | 20838-275                                                                                                                                 | -                                                                                                                    |
| 6             | 84           | 20848-604                                                                                                                                                                                 | 20838-276                                                                                                                                 | 20848-617                                                                                                            |

**Note**

- Front panel can be removed in opened position (> 135°)

Shielding is required between the following components of a subrack

- Front panel/rear panel and horizontal rail, see page 6.53
- Front panel and 19" bracket/corner profile or in case of depth-offset installation, see page 6.53
- Cover plate/horizontal rail, see page 6.42
- Cover plate/side panel, see from page 6.42
- Horizontal rail/horizontal rail in combined mounting (3 U + 3 U and 6 U), see page 6.57
- Shielding for backplane and side panel see page 6.53

**EMC shielding concepts**

- Shielding concepts in accordance with IEEE and IEC
- Shielding effectiveness has been determined in various series of measurements in accordance with IEC 61587-3 and can be found online together with the relevant standard product
- The combined use of stainless steel and textile EMC gaskets is functionally possible without any problems

**EMC shielding concept with EMC textile gaskets**

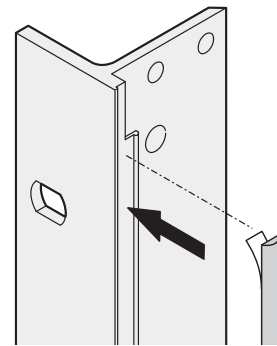
- The seal is affixed to the left-hand side of the subrack (viewed from front) or to the front panel profile, respectively
- An EMC gasket with CuNi coating assures a long-term high level of shielding, typically 40 dB at 2 GHz
- Temperature-resistant adhesive layer is protected by a removable film
- Rear shielding is obtained using front panels or a rear hood
- Temperature range -40° C ... +70° C
- **Note:** rear hood and corner profile cannot be used simultaneously

**EMC shielding concept with stainless steel EMC gaskets)**

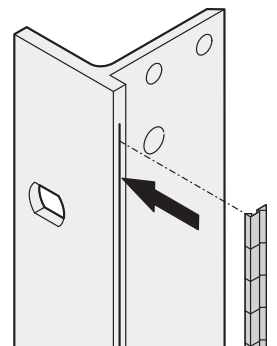
- Symmetrical arrangement of EMC gaskets on the left and right hand sides of subrack and front panel
- Shielding: typically 40 dB at 2 GHz
- Can be used for temperatures above +70° C
- **Note:** rear hood and corner profile cannot be used simultaneously

**Front panel shielding concept**

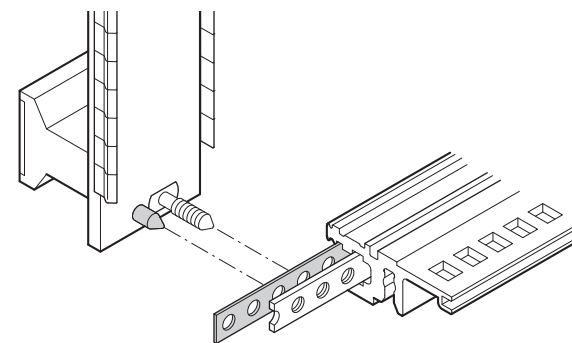
- Front panels are available for textile or stainless steel EMC gasket options
- Alignment pins are pressed-in in the front panel to position the gaskets securely and to compress them evenly
- An alignment pin positions the perforated strip in the horizontal rail
- Alignment pin and perforated strip provide an optimal positioning of the shielded assemblies; the front panels are not forced sideways by the shielding elements (Schroff patent)



06108073



06108074



06112091

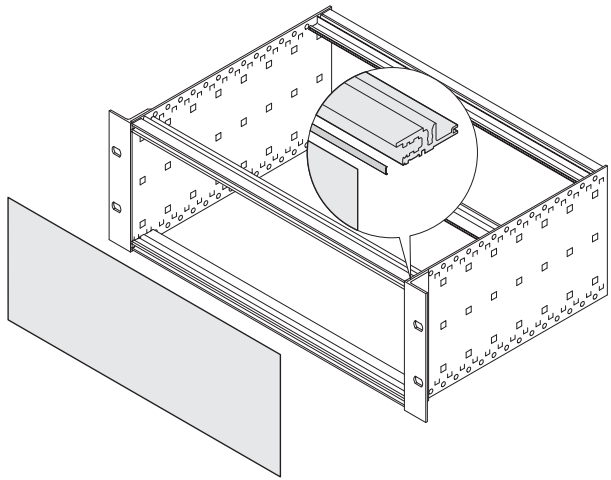
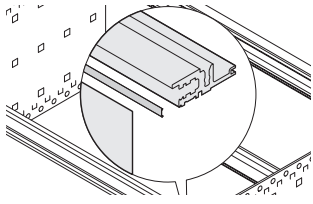
Part number in bold face type: ready for despatch within 2 working days  
 Part number in normal type: ready for despatch within 10 working days



# Subracks - *europac PRO* ServicePLUS

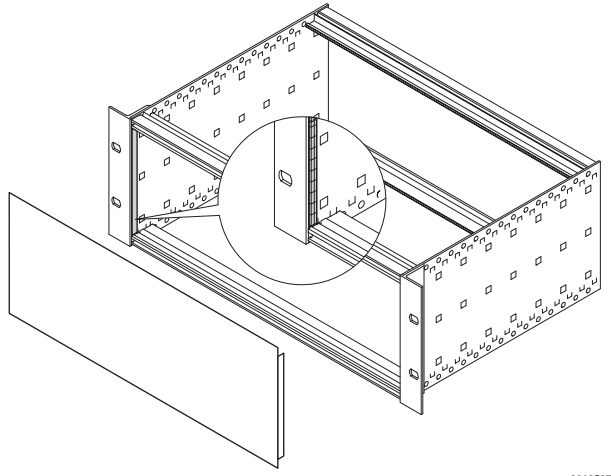
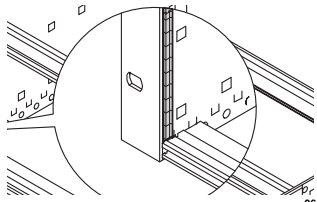
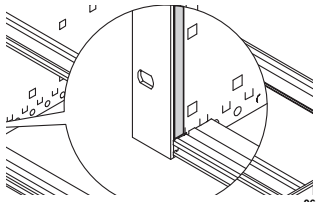
## EMC gaskets between front/rear panel and horizontal rail

### Order Information

|                                                                                   |                                                                                          |                     |                                                                                    |          |
|-----------------------------------------------------------------------------------|------------------------------------------------------------------------------------------|---------------------|------------------------------------------------------------------------------------|----------|
|  | <b>Stainless steel EMC gasket<br/>between front panel/rear panel and horizontal rail</b> |                     |  |          |
|                                                                                   |                                                                                          |                     | stainless steel; for front and rear horizontal rails (type VT)                     |          |
|                                                                                   |                                                                                          |                     |                                                                                    | 06102053 |
| <b>Width<br/>HP</b>                                                               | <b>Depth<br/>mm</b>                                                                      | <b>PU 10 pieces</b> | <b>PU 100 pieces</b>                                                               |          |
| 28                                                                                | 131.8                                                                                    | 24560-229           | -                                                                                  |          |
| 42                                                                                | 202.9                                                                                    | 24560-231           | -                                                                                  |          |
| 63                                                                                | 304.5                                                                                    | 24560-233           | -                                                                                  |          |
| 84                                                                                | 416.6                                                                                    | 24560-235           | 24560-236                                                                          |          |

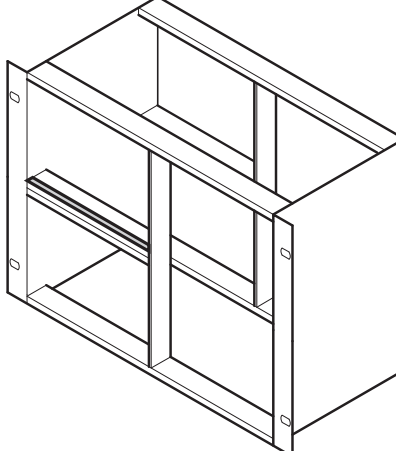
## EMC gaskets between front panel and 19" bracket/corner profile

### Order Information

|                                                                                    |                                                                                                         |                                                           |                                                                                                 |                                                                                         |                      |
|------------------------------------------------------------------------------------|---------------------------------------------------------------------------------------------------------|-----------------------------------------------------------|-------------------------------------------------------------------------------------------------|-----------------------------------------------------------------------------------------|----------------------|
|  | <b>Stainless steel EMC gasket<br/>between front panel/rear panel and<br/>19" bracket/corner profile</b> |                                                           | <b>Textile EMC gasket<br/>between front panel/rear panel and<br/>19" bracket/corner profile</b> |                                                                                         |                      |
|                                                                                    |                     |                                                           |            |                                                                                         |                      |
|                                                                                    |                                                                                                         | inserted laterally into the grooves<br>of the front panel |                                                                                                 | textile gasket, core: foam,<br>sleeve: textile cladding with CuNi coating,<br>UL 94 V-0 |                      |
|                                                                                    |                                                                                                         |                                                           |                                                                                                 | 06108054                                                                                |                      |
| <b>Height<br/>U</b>                                                                | <b>Depth<br/>mm</b>                                                                                     | <b>PU 10 pieces</b>                                       | <b>PU 100 pieces</b>                                                                            | <b>PU 10 pieces</b>                                                                     | <b>PU 100 pieces</b> |
| 3                                                                                  | 97.5                                                                                                    | 21101-705                                                 | 21101-706                                                                                       | 21101-853                                                                               | 21101-854            |
| 4                                                                                  | 142.5                                                                                                   | 21101-713                                                 | 21101-714                                                                                       | 21101-858                                                                               | -                    |
| 6                                                                                  | 232.5                                                                                                   | 21101-707                                                 | 21101-708                                                                                       | 21101-855                                                                               | 21101-856            |
| 9                                                                                  | 365.0                                                                                                   | 21101-709                                                 | 21101-710                                                                                       | 21101-859                                                                               | 21101-904            |
| Assembly tool, for stainless steel EMC gasket                                      |                                                                                                         | 24560-270                                                 |                                                                                                 | -                                                                                       |                      |

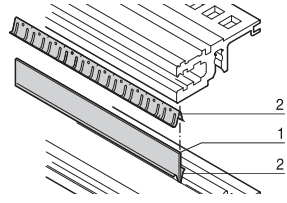
EMC gaskets between horizontal rail and horizontal rail

Order Information



bpa46548

**Stainless steel EMC gasket  
between horizontal rail and horizontal rail**



bz245877

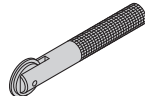
Item 1: cover strip, Al, 1 mm,  
item 2: 2 x EMC seals (stainless steel);  
for shielding of 2 horizontal rails positioned directly one above the other  
if assembly area is divided vertically

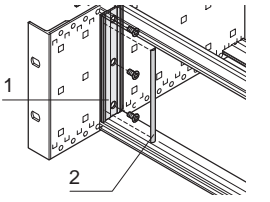
| Width<br>HP | Depth<br>mm | PU 1 kit  |
|-------------|-------------|-----------|
| 20          | 107.0       | 24562-520 |
| 28          | 147.0       | 24562-528 |
| 40          | 208.0       | 24562-540 |
| 42          | 218.0       | 24562-542 |
| 63          | 325.0       | 24562-563 |
| 84          | 431.0       | 24562-584 |

1) SPQ (standard pack quantity): Part number includes 1 piece, but delivery is exclusively made in standard pack quantity (SPQ); please order at least the SPQ quantity or a multiple

EMC gaskets between front panel and side panel  
(depth-offset installation)

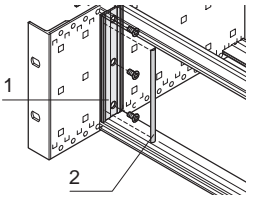
Order Information

| Height<br>U                                                                                                                       | Depth<br>mm | PU 1 kit  | PU 1 kit  |
|-----------------------------------------------------------------------------------------------------------------------------------|-------------|-----------|-----------|
| 3                                                                                                                                 | 97.5        | 24562-199 | 24560-180 |
| 4                                                                                                                                 | 142.5       | 24562-299 | 24560-280 |
| 6                                                                                                                                 | 187.5       | 24562-499 | 24560-480 |
| Assembly tool, for stainless steel EMC gasket  |             | 24560-270 | -         |



bpa45884

Item 1: 2 x support profiles, Al extrusion;  
item 2: 2 x stainless steel EMC gasket;  
fixing material kit for vertical EMC shielding between  
depth-offset shielded front panels and side panel



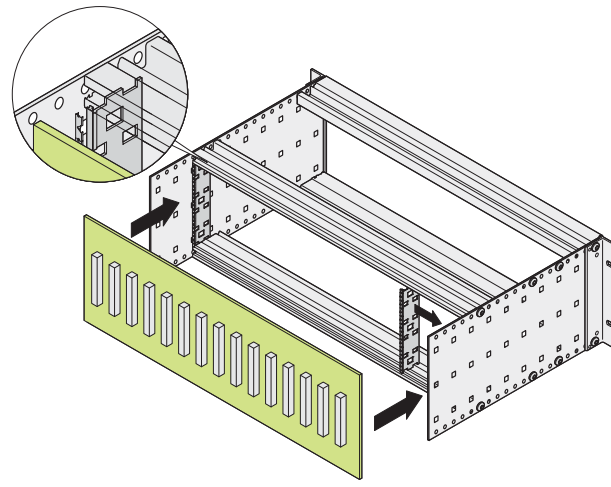
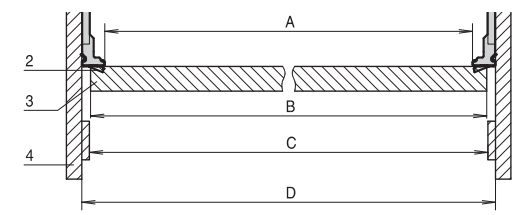
06102058

Item 1: 2 x support profiles, Al extrusion;  
item 2: 1 x EMC textile gasket;  
fixing material kit for vertical EMC shielding between  
depth-offset shielded front panels and side panel

## Subracks - *europacPRO* ServicePLUS

EMC gaskets between backplane and side panel

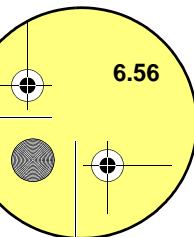
### Order Information

|                                                                                                   |                                                                                                                                                                                                                                                                                                                                                                                                                                                                                                                                            |
|---------------------------------------------------------------------------------------------------|--------------------------------------------------------------------------------------------------------------------------------------------------------------------------------------------------------------------------------------------------------------------------------------------------------------------------------------------------------------------------------------------------------------------------------------------------------------------------------------------------------------------------------------------|
|  <p>06108078</p> | <p><b>Stainless steel EMC gasket<br/>between backplane and side panel (depth-offset installation)</b></p>  <p>bp44916</p> <p>2 x support profile, Al extrusion,<br/>2 x EMC gasket (stainless steel)<br/>Fixing materials kit and user manual;<br/>for vertical EMC shielding between shielded backplane and side panel;</p> <p>dimensions (84 HP):<br/>A = 425.8 mm,<br/>B &lt; 429.9 mm,<br/>C = 429.8 mm,<br/>D = 431.8 mm</p> <p><b>PU 1 kit</b></p> |
| <p>Height</p>                                                                                     |                                                                                                                                                                                                                                                                                                                                                                                                                                                                                                                                            |
| <p><b>U</b></p>                                                                                   | <p><b>24561-199</b></p>                                                                                                                                                                                                                                                                                                                                                                                                                                                                                                                    |
| <p>3</p>                                                                                          | <p>24561-499</p>                                                                                                                                                                                                                                                                                                                                                                                                                                                                                                                           |
| <p>6</p>                                                                                          |                                                                                                                                                                                                                                                                                                                                                                                                                                                                                                                                            |

- With an appropriate design the backplane can be used as shielding rear panel; for that purpose a rear horizontal rail (type L-VT or H-VT) for depth-offset installation must be used to ensure the horizontal contact
- For vertical contact the support profile can be fixed to the europacPRO side panel (depth grid 30 mm)

Special interior mounting parts

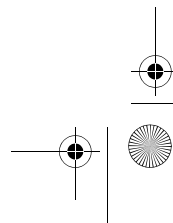
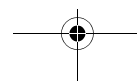
- Combined mounting: 3 U + 3 U and 6 U, see page 6.57
- Horizontal board mounting, see page 6.58
- Mounting plates, see page 6.59
- Central locking for PCBs, see page 6.60
- Divider plates, see page 6.60
- Air baffles, see page 6.61
- Telescopic slides, see page 6.62
- Fixing parts (bolts, nuts, assembly tools), see page 6.63



6.56

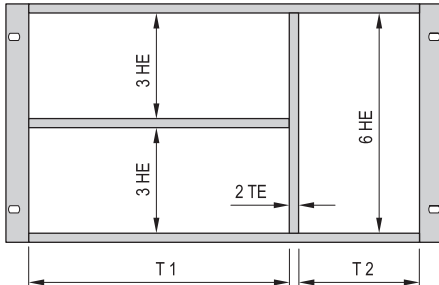
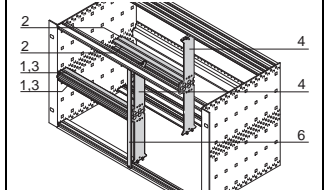
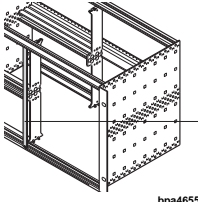
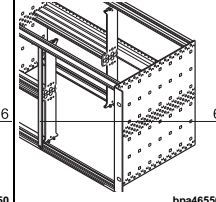
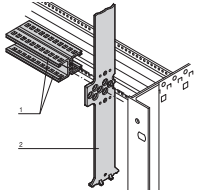
Main Catalogue  
E 10/2012

Part number in bold face type: ready for despatch within 2 working days  
Part number in normal type: ready for despatch within 10 working days





Order Information

|                            | <b>Combined mounting:</b><br>horizontal and vertical subdivision<br>(incl. front panel for stainless steel EMC gasket)                                                                                                                                                                                                                                                                                                                                                                                                                                | <b>Alternative front panels for combined mounting</b>                                                                                                                                                   |                                                                                                                                                                                                      | <b>Splitting extrusion</b><br>for combined mounting item 2                                                                                                                                                                     |
|-------------------------------------------------------------------------------------------------------------|-------------------------------------------------------------------------------------------------------------------------------------------------------------------------------------------------------------------------------------------------------------------------------------------------------------------------------------------------------------------------------------------------------------------------------------------------------------------------------------------------------------------------------------------------------|---------------------------------------------------------------------------------------------------------------------------------------------------------------------------------------------------------|------------------------------------------------------------------------------------------------------------------------------------------------------------------------------------------------------|--------------------------------------------------------------------------------------------------------------------------------------------------------------------------------------------------------------------------------|
|                                                                                                             |  <p>Item 1: 2 front horizontal rails (H-KD), Al extrusion, anodised;<br/>                     item 2: 2 rear horizontal rails (AB), Al extrusion, anodised;<br/>                     item 3: threaded inserts, St, zinc-plated;<br/>                     item 4: Zn die-cast support members;<br/>                     item 6: front panel 2 HP, 6 U, with EMC stainless steel gasket;<br/>                     84:0 without items 4, 5</p> <p>Note see below 2)</p> | unshielded front panel,<br>6 U, 2 HP<br>item 6<br> <p>Al, 2.5 mm, front anodised, rear iridescent green chromated</p> | front panel for textile EMC gasket,<br>6 U, 2 HP<br>item 6<br> <p>Al, 2.5 mm, U-profile with notch, 6 U, 2 HP</p> |  <p>6 U, die-cast zinc; splitting extrusion is inserted in the grid holes of the horizontal rail; the splitting extrusion can be bolted</p> |
| <b>Width pitch T1:T2</b><br><b>HP</b>                                                                       | <b>PU 1 kit</b>                                                                                                                                                                                                                                                                                                                                                                                                                                                                                                                                       | <b>1 (SPQ 5)</b>                                                                                                                                                                                        | <b>1 piece (SPQ 5)<sup>1)</sup></b>                                                                                                                                                                  | <b>1 piece</b>                                                                                                                                                                                                                 |
| 20:62                                                                                                       | 24562-420                                                                                                                                                                                                                                                                                                                                                                                                                                                                                                                                             |                                                                                                                                                                                                         |                                                                                                                                                                                                      |                                                                                                                                                                                                                                |
| 40:42                                                                                                       | 24562-440                                                                                                                                                                                                                                                                                                                                                                                                                                                                                                                                             |                                                                                                                                                                                                         |                                                                                                                                                                                                      |                                                                                                                                                                                                                                |
| 42:40                                                                                                       | 24562-442                                                                                                                                                                                                                                                                                                                                                                                                                                                                                                                                             | 30847-472                                                                                                                                                                                               | 30849-140                                                                                                                                                                                            | 64560-010                                                                                                                                                                                                                      |
| 63:19                                                                                                       | 24562-463                                                                                                                                                                                                                                                                                                                                                                                                                                                                                                                                             |                                                                                                                                                                                                         |                                                                                                                                                                                                      |                                                                                                                                                                                                                                |
| 84:0                                                                                                        | 24562-484                                                                                                                                                                                                                                                                                                                                                                                                                                                                                                                                             |                                                                                                                                                                                                         |                                                                                                                                                                                                      |                                                                                                                                                                                                                                |
| Torx countersunk screw<br>M4 x 14, zinc-plated, PU 100 pieces<br>to fix splitting extrusion/horizontal rail | –                                                                                                                                                                                                                                                                                                                                                                                                                                                                                                                                                     | –                                                                                                                                                                                                       | –                                                                                                                                                                                                    | 24560-145                                                                                                                                                                                                                      |
| Panhead screw<br>M2.5 x 10, St, zinc-plated, PU 100 pieces<br>to fix horizontal rail/splitting extrusion    | –                                                                                                                                                                                                                                                                                                                                                                                                                                                                                                                                                     | –                                                                                                                                                                                                       | –                                                                                                                                                                                                    | 24560-179                                                                                                                                                                                                                      |
| Pozidrive/slotted collar screw<br>M2.5 x 12.3, St, nickel-plated, PU 100 pieces                             | –                                                                                                                                                                                                                                                                                                                                                                                                                                                                                                                                                     | 21101-101                                                                                                                                                                                               | 21101-101                                                                                                                                                                                            | –                                                                                                                                                                                                                              |
| Pozidrive/slotted collar screw<br>M2.5, black, zinc-plated, PU 100 pieces                                   | –                                                                                                                                                                                                                                                                                                                                                                                                                                                                                                                                                     | 21101-102                                                                                                                                                                                               | 21101-102                                                                                                                                                                                            | –                                                                                                                                                                                                                              |
| Washer<br>2.7 x 5 x 1, PA 6, PU 100 pieces                                                                  | –                                                                                                                                                                                                                                                                                                                                                                                                                                                                                                                                                     | 21101-121                                                                                                                                                                                               | 21101-121                                                                                                                                                                                            | –                                                                                                                                                                                                                              |
| Textile gasket, core: foam,<br>sleeve: textile cladding with CuNi coating,<br>UL 94 V-0<br>PU 10 pieces     | –                                                                                                                                                                                                                                                                                                                                                                                                                                                                                                                                                     | –                                                                                                                                                                                                       | 21101-855                                                                                                                                                                                            | –                                                                                                                                                                                                                              |

2) The following guide rails cannot be used: type "accessory", type "accessory, strengthened" and type "for 4.4" PCB"

- Subdivision of the 6 U assembly area into:
  - 2 x 3 U
  - 1 x 6 U
- Designed to accommodate euroboards (100 mm high) and double euroboards (233.35 mm high)

**Note**

- Please order EMC gasketing kit for horizontal rails separately, see page 6.54
- Please order perforated strips for horizontal rails separately, see page 6.33
- Please order rear centre horizontal rail separately, see page 6.31

Order Information

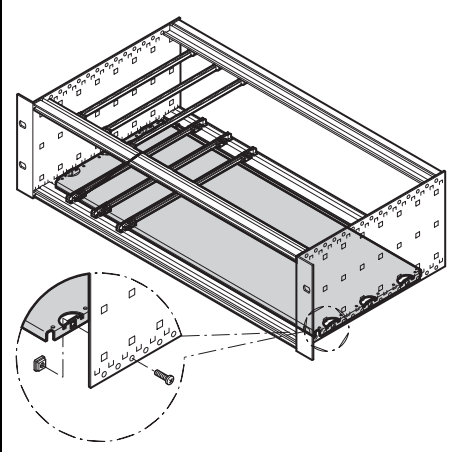
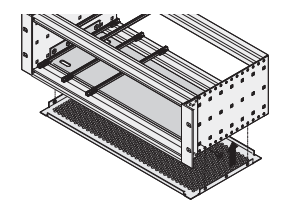
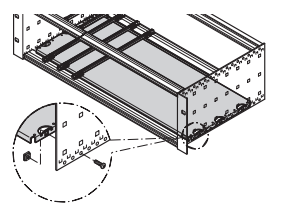
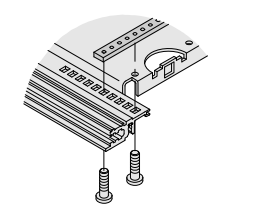
|                                                                                                                                           |    |  |  | Horizontal board mounting in 3 or 4 U subrack                                                                                                                                                                                                                                                                  |                                                                                                                                                                                                                                                         |                                                                                                                 |
|-------------------------------------------------------------------------------------------------------------------------------------------|----|--|--|----------------------------------------------------------------------------------------------------------------------------------------------------------------------------------------------------------------------------------------------------------------------------------------------------------------|---------------------------------------------------------------------------------------------------------------------------------------------------------------------------------------------------------------------------------------------------------|-----------------------------------------------------------------------------------------------------------------|
|                                                                                                                                           |    |  |  | Board cage                                                                                                                                                                                                                                                                                                     | Front frame for EMC shielding                                                                                                                                                                                                                           | Front frame, unshielded                                                                                         |
| <p>(1 TE = 1 HP, 1 HE = 1 U)</p> <p>Height U Usable height h HP</p> <p>Mounting variants Horizontal rail, front Horizontal rail, rear</p> |    |  |  | <p>Struts, die-cast zinc; horizontal rails front and rear; threaded inserts, St, zinc-plated; fixing material kit; for horizontal mounting of double-height euroboards in 3 or 4 U high subracks/cases; 54 HP space required; <b>please order front frame for EMC shielding separately</b></p> <p>06102073</p> | <p>2 horizontal covers, Al 2.5 mm, front anodised, rear iridescent green chromated; 2 vertical trims, Al extrusion, passivated; stainless steel EMC gasket; front frame provides the contact between subrack and the sub-assemblies</p> <p>bpa45913</p> | <p>Al, 2.5 mm, clear anodised; front frame with cut-out, clear internal width w = 266.35 mm</p> <p>bza43061</p> |
|                                                                                                                                           |    |  |  | <b>PU 1 kit</b>                                                                                                                                                                                                                                                                                                | <b>PU 1 kit</b>                                                                                                                                                                                                                                         | <b>1 piece</b>                                                                                                  |
| 3                                                                                                                                         | 20 |  |  | 24564-117                                                                                                                                                                                                                                                                                                      | 24564-109                                                                                                                                                                                                                                               | 34564-108                                                                                                       |
| 3                                                                                                                                         | 20 |  |  | 24564-118                                                                                                                                                                                                                                                                                                      | 24564-109                                                                                                                                                                                                                                               | 34564-109                                                                                                       |
| 4                                                                                                                                         | 28 |  |  | 24564-217                                                                                                                                                                                                                                                                                                      | 24564-209                                                                                                                                                                                                                                               | 34564-208                                                                                                       |
| <p>Assembly tool, for stainless steel EMC gasket</p>                                                                                      |    |  |  | -                                                                                                                                                                                                                                                                                                              | 24560-270                                                                                                                                                                                                                                               | -                                                                                                               |

\* For direct backplane mounting

**Note**

- Please order front frame for EMC shielding separately

Order Information

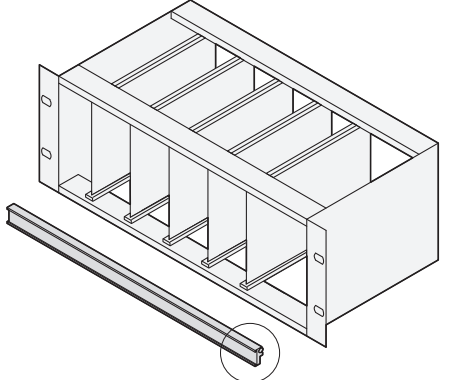
|                                                                                                                    |         |                    |  <p><b>Mounting plate can be used in combination with cover plate</b></p> <p>Al, 1.5 mm; mounting is only possible over the entire width between the side panels; width of mounting plate = W - 9.71 mm</p> |  <p><b>Mounting plate for use without cover plate</b></p> <p>Al, 1.5 mm; for mounting over partial width, please order fixing strips separately</p> |  <p><b>Fixing strip for partial widths</b></p> <p>St, 2 mm, zinc-plated; is bolted from front to rear onto the horizontal rails; to fix mounting plates</p> |
|-----------------------------------------------------------------------------------------------------------------------------------------------------------------------------------------------------|---------|--------------------|----------------------------------------------------------------------------------------------------------------------------------------------------------------------------------------------------------------------------------------------------------------------------------------------|---------------------------------------------------------------------------------------------------------------------------------------------------------------------------------------------------------------------------------------|------------------------------------------------------------------------------------------------------------------------------------------------------------------------------------------------------------------------------------------------|
| Width W<br>HP                                                                                                                                                                                       | W<br>mm | Board length<br>mm | 1 piece                                                                                                                                                                                                                                                                                      | 1 piece                                                                                                                                                                                                                               | 1 piece                                                                                                                                                                                                                                        |
| 28                                                                                                                                                                                                  | 146.88  | 160                | 34563-001                                                                                                                                                                                                                                                                                    | 34562-745                                                                                                                                                                                                                             | 30840-021                                                                                                                                                                                                                                      |
| 28                                                                                                                                                                                                  | 146.88  | 220                | 34563-009                                                                                                                                                                                                                                                                                    | 34562-749                                                                                                                                                                                                                             | 30840-033                                                                                                                                                                                                                                      |
| 28                                                                                                                                                                                                  | 146.88  | 280                | —                                                                                                                                                                                                                                                                                            | 34562-753                                                                                                                                                                                                                             | 30840-045                                                                                                                                                                                                                                      |
| 28                                                                                                                                                                                                  | 146.88  | 340                | —                                                                                                                                                                                                                                                                                            | 34562-757                                                                                                                                                                                                                             | 30840-057                                                                                                                                                                                                                                      |
| 42                                                                                                                                                                                                  | 217.99  | 160                | 34563-002                                                                                                                                                                                                                                                                                    | 34562-746                                                                                                                                                                                                                             | 30840-021                                                                                                                                                                                                                                      |
| 42                                                                                                                                                                                                  | 217.99  | 220                | 34563-014                                                                                                                                                                                                                                                                                    | 34562-750                                                                                                                                                                                                                             | 30840-033                                                                                                                                                                                                                                      |
| 42                                                                                                                                                                                                  | 217.99  | 280                | —                                                                                                                                                                                                                                                                                            | 34562-754                                                                                                                                                                                                                             | 30840-045                                                                                                                                                                                                                                      |
| 42                                                                                                                                                                                                  | 217.99  | 340                | —                                                                                                                                                                                                                                                                                            | 34562-758                                                                                                                                                                                                                             | 30840-057                                                                                                                                                                                                                                      |
| 63                                                                                                                                                                                                  | 324.67  | 160                | 34563-003                                                                                                                                                                                                                                                                                    | 34562-747                                                                                                                                                                                                                             | 30840-021                                                                                                                                                                                                                                      |
| 63                                                                                                                                                                                                  | 324.67  | 220                | 34563-019                                                                                                                                                                                                                                                                                    | 34562-751                                                                                                                                                                                                                             | 30840-033                                                                                                                                                                                                                                      |
| 63                                                                                                                                                                                                  | 324.67  | 280                | —                                                                                                                                                                                                                                                                                            | 34562-755                                                                                                                                                                                                                             | 30840-045                                                                                                                                                                                                                                      |
| 63                                                                                                                                                                                                  | 324.67  | 340                | —                                                                                                                                                                                                                                                                                            | 34562-759                                                                                                                                                                                                                             | 30840-057                                                                                                                                                                                                                                      |
| 84                                                                                                                                                                                                  | 431.35  | 160                | 34563-004                                                                                                                                                                                                                                                                                    | 34562-748                                                                                                                                                                                                                             | 30840-021                                                                                                                                                                                                                                      |
| 84                                                                                                                                                                                                  | 431.35  | 220                | 34563-024                                                                                                                                                                                                                                                                                    | 34562-752                                                                                                                                                                                                                             | 30840-033                                                                                                                                                                                                                                      |
| 84                                                                                                                                                                                                  | 431.35  | 280                | —                                                                                                                                                                                                                                                                                            | 34562-756                                                                                                                                                                                                                             | 30840-045                                                                                                                                                                                                                                      |
| 84                                                                                                                                                                                                  | 431.35  | 340                | —                                                                                                                                                                                                                                                                                            | 34562-760                                                                                                                                                                                                                             | 30840-057                                                                                                                                                                                                                                      |
| Assembly kit for mounting plate, PU 1 kit<br>(Torx countersunk screw M4 x 5, St, zinc-plated, 12 pieces;<br>screw M4 x 6, St, zinc-plated, 10 pieces;<br>square nut M4, St, zinc-plated, 10 pieces) |         |                    | 24560-184                                                                                                                                                                                                                                                                                    | 24560-184                                                                                                                                                                                                                             | —                                                                                                                                                                                                                                              |
| Assembly kit for fixing strips for partial width mounting plates<br>Torx screw M2.5 x 5, St, zinc-plated,<br>PU 100 pieces                                                                          |         |                    | —                                                                                                                                                                                                                                                                                            | —                                                                                                                                                                                                                                     | 24560-146                                                                                                                                                                                                                                      |

**Note**

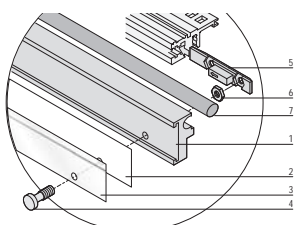
- For installation and fixing of heavy components
- In addition to the mounting plate, (EMC) cover plates can also be fitted to the subrack
- The mounting plate is as wide as the subrack or system case and is fixed to the side panels
- A guide rail can be fitted on the first and last slot
- Guide rails type "4.4" and type "strengthened" cannot be used

Central locking

Order Information



**Central locking  
for PCBs without front panels**



Item 1: central rail, Al, anodised;  
 item 2: ID cardboard, white;  
 item 3: transparent cover strip, plastic;  
 item 4: 2 x knurled screw;  
 item 5: 2 x slide nut;  
 item 6: 2 x hexagon nut M2.5;  
 item 7: rubber gasket;

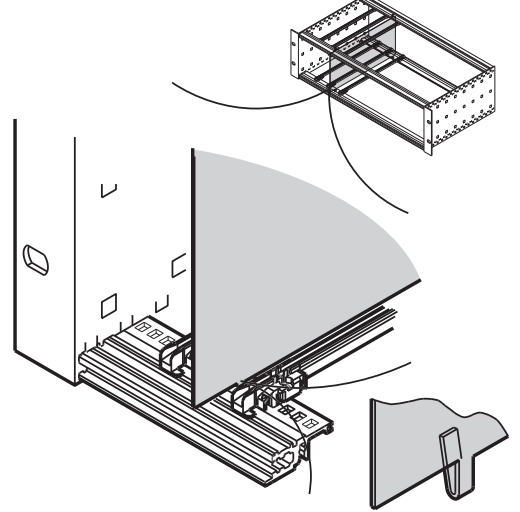
central locking allows joint locking of PCBs and serves as identification strip;  
 can be fitted to front and rear horizontal rails,  
 suitable for 84 HP width

bza45819

|                     |                      |          |                |  |           |
|---------------------|----------------------|----------|----------------|--|-----------|
| <b>Width<br/>HP</b> | <b>Length<br/>mm</b> |          |                |  |           |
| 84                  | 426.0                | 06197010 | <b>1 piece</b> |  | 24560-167 |

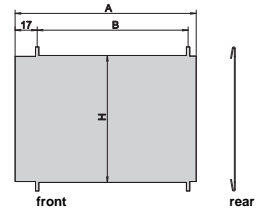
Divider plate

Order Information

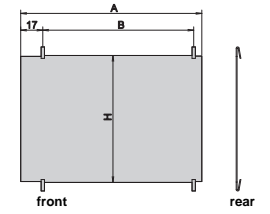


**Divider plate**

**Mounting position when  
stainless steel EMC gasket is used**



**Mounting position when  
textile EMC gasket is used**



Stainless steel, 1 mm, is mounted by clipping onto horizontal rail,  
 space requirement on component side 2 mm;  
 mounting direction varies with shielding design (EMC stainless steel or textile gasket);  
 retrofitting the divider plate in an already-assembled subrack/case  
 will first require dismantling of the horizontal rails;  
 where front panels are unshielded, both mounting directions are possible

bpa45911  
06105078

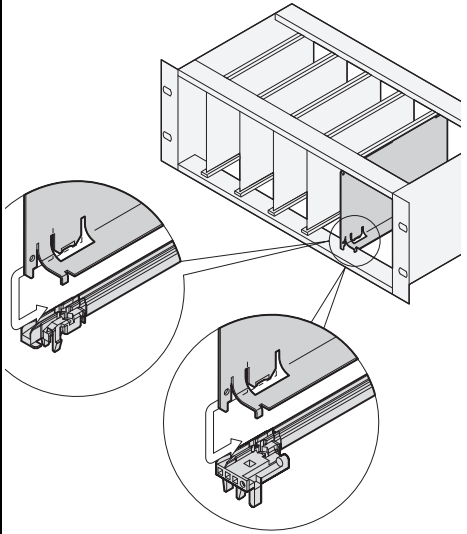
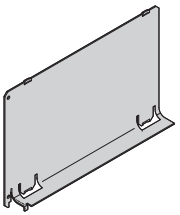
| Height<br>U | Depth<br>mm | A<br>mm | B<br>mm | H<br>mm |  |
|-------------|-------------|---------|---------|---------|--|
| 3           | 160         | 158.3   | 135.0   | 113.5   |  |
| 3           | 220         | 218.3   | 195.0   | 113.5   |  |
| 6           | 160         | 158.3   | 135.0   | 246.9   |  |
| 6           | 220         | 218.3   | 195.0   | 246.9   |  |

**PU 10 pieces**

|  |  |  |  |  |           |
|--|--|--|--|--|-----------|
|  |  |  |  |  |           |
|  |  |  |  |  | 34562-761 |
|  |  |  |  |  | 34562-762 |
|  |  |  |  |  | 34562-763 |
|  |  |  |  |  | 34562-764 |

Air baffles for slots

Order Information

|  |             |             | Air baffle<br>without front panel                                                                                                                                                                                                 | Air baffle with front panel                                       |                                         |
|-----------------------------------------------------------------------------------|-------------|-------------|-----------------------------------------------------------------------------------------------------------------------------------------------------------------------------------------------------------------------------------|-------------------------------------------------------------------|-----------------------------------------|
|                                                                                   |             |             |  <p>Al, 1 mm, incl. fixing material kit; prevents an air short circuit in unused slot positions; is pushed into the groove of the guide rail</p> | Front panel with lateral groove<br>for stainless steel EMC gasket | U front panel<br>for textile EMC gasket |
| Depth<br>mm                                                                       | Width<br>HP | Height<br>U | 1 piece                                                                                                                                                                                                                           | 1 piece                                                           | 1 piece                                 |
| 160                                                                               | 4           | 3           | 34562-823                                                                                                                                                                                                                         | 20848-712                                                         | 20848-728                               |
| 160                                                                               | 4           | 6           | 34562-826                                                                                                                                                                                                                         | 20848-720                                                         | 20848-736                               |
| 160                                                                               | 8           | 3           | 34562-833                                                                                                                                                                                                                         | 20848-714                                                         | 20848-730                               |
| 160                                                                               | 8           | 6           | 34562-836                                                                                                                                                                                                                         | 20848-722                                                         | 20848-738                               |
| 160                                                                               | 12          | 3           | 34562-843                                                                                                                                                                                                                         | 20848-716                                                         | 20848-732                               |
| 160                                                                               | 12          | 6           | 34562-846                                                                                                                                                                                                                         | 20848-724                                                         | 20848-740                               |
| 220                                                                               | 4           | 3           | 34562-824                                                                                                                                                                                                                         | 20848-713                                                         | 20848-729                               |
| 220                                                                               | 4           | 6           | 34562-827                                                                                                                                                                                                                         | 20848-721                                                         | 20848-736                               |
| 220                                                                               | 8           | 3           | 34562-834                                                                                                                                                                                                                         | 20848-715                                                         | 20848-731                               |
| 220                                                                               | 8           | 6           | 34562-837                                                                                                                                                                                                                         | 20848-723                                                         | 20848-739                               |
| 220                                                                               | 12          | 3           | 34562-844                                                                                                                                                                                                                         | 20848-717                                                         | 20848-733                               |
| 220                                                                               | 12          | 6           | 34562-847                                                                                                                                                                                                                         | 20848-725                                                         | 20848-741                               |
| Assembly tool<br>for stainless steel EMC gasket,<br>1 piece                       |             |             | –                                                                                                                                                                                                                                 | 24560-270                                                         | –                                       |

**Note**

- Air baffle for 280 mm deep and for 80 mm rear I/O boards available on request



# Subracks - *europac PRO* ServicePLUS

Simple telescopic slide for assembly of subracks in cabinets

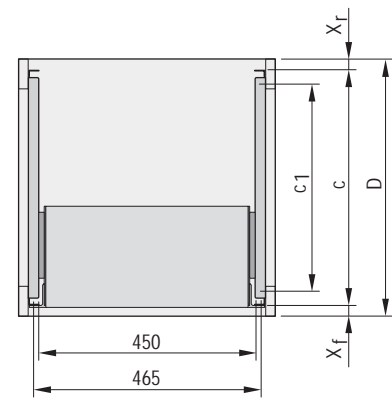


- For mounting 84 HP wide subracks in the 19" plane
- Loading capacity: 25 kg per pair
- The guiding profile is matched to the fixing dimension in the cabinet (it is bolted to the 19" profile of the cabinet); the adaptor rail is matched to the depth and fixing dimension on the subrack (it is inserted into the guiding profile like a telescopic slide)
- Safety note:  
No protection against extraction, no stop at full extension

06101006

## Order Information

### Telescopic slides with guiding profile for fitting in cabinets



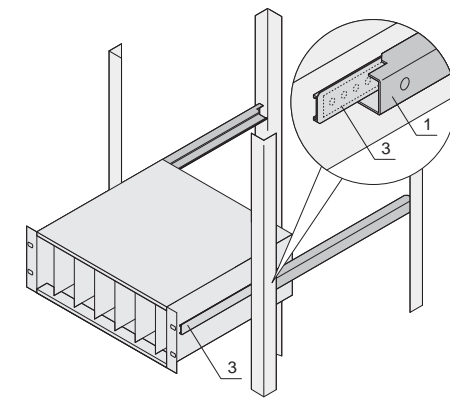
bza45819

| Description | Depth D | x <sub>f</sub> | x <sub>r</sub> | C    | c1  | Part no.  |
|-------------|---------|----------------|----------------|------|-----|-----------|
|             | mm      | mm             | mm             | mm   | mm  |           |
| VARISTAR    | 600     | 50             | 50             | 500  | 369 | 24562-464 |
| VARISTAR    | 800     | 50             | 50             | 700  | 569 | 24562-466 |
| VARISTAR    | 900     | 50             | 50             | 800  | 669 | 24562-467 |
| VARISTAR    | 1000    | 50             | 50             | 900  | 769 | 24562-468 |
| VARISTAR    | 1100    | 50             | 50             | 1000 | 869 | 24562-472 |
| VARISTAR    | 1200    | 50             | 50             | 1100 | 969 | 24562-473 |
| eurorack    | 600     | 60             | 60             | 480  | 397 | 24562-449 |
| eurorack    | 800     | 60             | 60             | 680  | 597 | 24562-451 |
| eurorack    | 900     | 60             | 60             | 780  | 697 | 24562-452 |
| NOVASTAR    | 500     | 33             | 60             | 407  | 350 | 24562-460 |
| NOVASTAR    | 600     | 33             | 60             | 507  | 450 | 24562-461 |
| NOVASTAR    | 800     | 33             | 60             | 707  | 650 | 24562-474 |
| Lab rack    | 250     | 0              | 0              | 250  | 162 | 24562-446 |

x<sub>f</sub>, x<sub>r</sub>: Distance of 19" plane to cabinet edge (front, rear)  
 c: Distance of 19" planes from each other,  
 c1: Fixing dimension of guiding profile on 19" panel/slide mounts

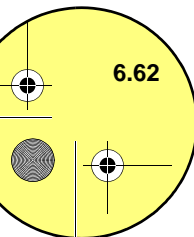
## Order Information

### Telescopic slides with adaptor rail for subracks



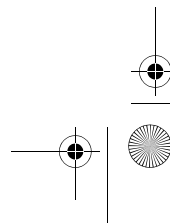
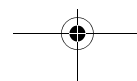
bza45819

| For subrack depth | Part no.  |
|-------------------|-----------|
| mm                |           |
| 175               | 24562-453 |
| 235               | 24562-454 |
| 295               | 24562-455 |
| 355               | 24562-456 |
| 415               | 24562-457 |
| 475               | 24562-458 |



6.62 Main Catalogue  
E 10/2012

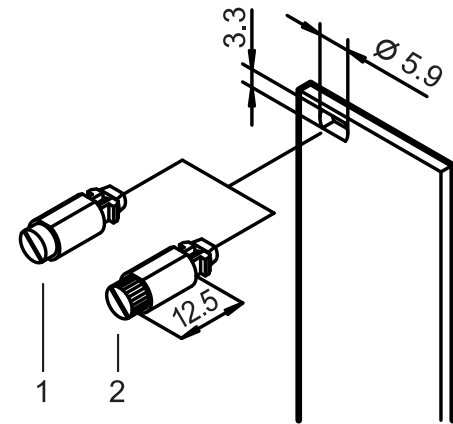
Part number in bold face type: ready for despatch within 2 working days  
 Part number in normal type: ready for despatch within 10 working days



Assembly parts

- Quick-release fasteners
- Sleeves
- Screws
- Cage nuts
- Tools

Quick-release fasteners



- Vibration and shock proof
- 1/4 rotary lock with defined stop
- Detection of locking position through slot position

Delivery comprises

| Qty | Description                           |
|-----|---------------------------------------|
| 1   | Locking pin, St, locking, Zn die-cast |
| 1   | Press-in sleeve, POM                  |

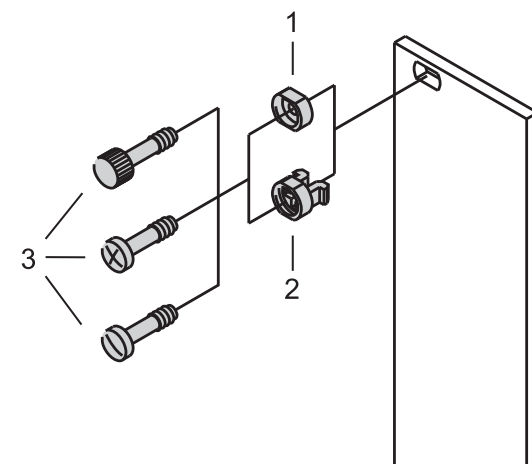
Order Information

| Item | Description                          | Qty/PU | Part no.  |
|------|--------------------------------------|--------|-----------|
| 1    | With slotted head, grey              | 100    | 21101-847 |
| 1    | With slotted head, black             | 100    | 21101-848 |
| 2    | With knurled and slotted head, grey  | 100    | 21101-849 |
| 2    | With knurled and slotted head, black | 100    | 21101-850 |

Note

Quick-release fasteners: mounting without threaded inserts

Sleeves



Order Information

| Item | Description                        | Qty/PU | Part no.  |
|------|------------------------------------|--------|-----------|
| 2    | Plastic sleeve, PA, grey           | 100    | 21100-464 |
| 2    | Plastic sleeve, PA, black          | 100    | 21100-591 |
| 1    | Metal sleeve, brass, nickel-plated | 10     | 21100-659 |
| 1    | Metal sleeve, brass, nickel-plated | 100    | 21100-660 |
| 1    | Metal sleeve, brass, black         | 100    | 21100-886 |
| 1    | Metal sleeve, stainless steel      | 10     | 21100-661 |
| 1    | Metal sleeve, stainless steel      | 100    | 21100-662 |

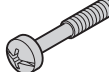
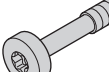
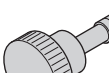
Note

- Metal sleeves must be pressed-in in front panels
- Sleeve does not fit in 2 HP wide front panels

## Subracks - *europacPRO* ServicePLUS



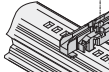
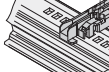
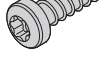
### Collar screws

#### Order Information

| Description                                                                                                           | Application                                                                                 | Material               | Dimension   | Qty/PU | Part no.         |
|-----------------------------------------------------------------------------------------------------------------------|---------------------------------------------------------------------------------------------|------------------------|-------------|--------|------------------|
| <br>Collar screw with pozidrive/slot | For mounting of front panels when using threaded inserts                                    | St, nickel-plated      | M2.5 x 12.3 | 100    | <b>21101-101</b> |
|                                                                                                                       |                                                                                             | St, zinc-plated, black | M2.5 x 12.3 | 100    | 21101-102        |
| <br>Torx collar screw                | For mounting of front panels when using threaded inserts                                    | St, nickel-plated      | M2.5 x 12.3 | 100    | <b>21101-782</b> |
|                                                                                                                       |                                                                                             | St, zinc-plated, black | M2.5 x 12.3 | 100    | 21101-783        |
| <br>Collar screw with knurled head   | For mounting of front panels when using threaded inserts                                    | Brass, nickel-plated   | M2.5 x 12.3 | 100    | <b>21101-749</b> |
|                                                                                                                       | For mounting of front panels when using threaded inserts for horizontal rails with long lip | Brass, nickel-plated   | M2.5 x 12.3 | 100    | <b>21101-909</b> |

### Torx screws, self-forming


#### Order Information

| Description                                                                                                                 | Application                                                                                         | Material                      | Dimension | Qty/PU | Part no.         |
|-----------------------------------------------------------------------------------------------------------------------------|-----------------------------------------------------------------------------------------------------|-------------------------------|-----------|--------|------------------|
| <br>Torx panhead screw, self-forming     | For extra-robust Al guide rails; torque max. 0.2 Nm                                                 | St, zinc flake coating, black | 2.5 x 7.3 | 100    | <b>24560-157</b> |
| <br>Torx countersunk screw, self-forming | For 4.4" board height, guide rail on horizontal rail, europacPRO, ratiopacPRO; torque max. 0.2 Nm   | St, zinc-plated               | 2.5 x 7.7 | 100    | <b>24560-158</b> |
| <br>Torx panhead screw, self-forming     | For plastic guide rail on horizontal rail; for panel bracket on horizontal rail; torque max. 0.2 Nm | St, zinc-plated               | 2.5 x 9.3 | 100    | <b>24560-141</b> |
| <br>Torx panhead screw, self-locking     | For plastic guide rails on horizontal rails                                                         | St, zinc-plated               | 2.5 x 9.3 | 100    | <b>21500-039</b> |
| <br>Torx panhead screw                   | For 6 U support member, backplane mounting, centre horizontal rail                                  | St, zinc-plated               | 2.5 x 10  | 100    | <b>24560-179</b> |

# Subracks - *europacPRO* ServicePLUS

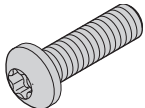

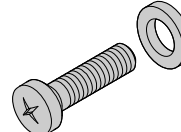
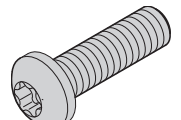
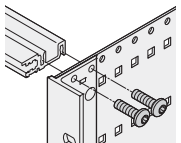
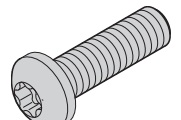
## Countersunk screws

### Order Information

| Description                                                                                                                | Application                                                                                                      | Material        | Dimension | Qty/PU | Part no.  |
|----------------------------------------------------------------------------------------------------------------------------|------------------------------------------------------------------------------------------------------------------|-----------------|-----------|--------|-----------|
| <br>Torx screw<br><small>AZA46585</small> | For support profiles europacPRO, ratiopacPRO                                                                     | St, zinc-plated | M4 x 5    | 100    | 24560-139 |
|                                                                                                                            | For mixed board assembly and assembly of shortened horizontal rail on support member, with GND/earthing function | St, zinc-plated | M4 x 14   | 100    | 24560-145 |

## Torx panhead screws

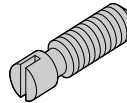
### Order Information

| Description                                                                                                                                   | Application                                                                                                     | Material          | Dimension     | Qty/PU | Part no.  |
|-----------------------------------------------------------------------------------------------------------------------------------------------|-----------------------------------------------------------------------------------------------------------------|-------------------|---------------|--------|-----------|
| <br>Torx panhead screw<br><small>aza45940</small>            | For Z-rails and connector assembly                                                                              | St, nickel-plated | M2.5 x 7      | 100    | 24560-147 |
|                                                                                                                                               | For perforated rails                                                                                            | St, nickel-plated | M2.5 x 10     | 100    | 24560-148 |
|                                                                                                                                               | For backplane mounting                                                                                          | St, nickel-plated | M2.5 x 12     | 100    | 24560-161 |
|                                                                                                                                               |                                                                                                                 | St, nickel-plated | M2.5 x 14     | 100    | 24560-162 |
| <br>Washer<br><small>aza45178</small>                        | For insulated backplane mounting                                                                                | Plastic, PA       | 2.8 x 6.3 x 2 | 100    | 21101-964 |
| <br>Screw + plastic washer (PA)<br><small>aza45940</small> | For backplane mounting                                                                                          | St, nickel-plated | M2.5 x 12     | 100    | 21100-777 |
| <br>Torx panhead screw<br><small>aza45940</small>          | To bolt on support bracket, rear hood, corner profile on side panel, lengthening bracket and connecting bracket | St, zinc-plated   | M4 x 6        | 100    | 24560-135 |
|                                                                                                                                               | To bolt-on cover plate or mounting plate, with GND/earthing function                                            | St, zinc-plated   | M4 x 6        | 100    | 24560-151 |
|                                                                                                                                               | To bolt-on cover plate or mounting plate, with GND/earthing function, self-forming thread                       | St, zinc-plated   | M4 x 6        | 100    | 21101-884 |
| <br>Torx panhead screw<br><small>06707058</small>          | For horizontal rail on side panel if guide rails are bolted to slot 1                                           | St, zinc-plated   | M4 x 10       | 100    | 24560-155 |
|                                                                                                                                               | For horizontal rail on side panel, with GND/earthing function                                                   | St, zinc-plated   | M4 x 14       | 10     | 24560-131 |
| <br>Torx panhead screw<br><small>aza45940</small>          | For horizontal rail on side panel, with GND/earthing function                                                   | St, zinc-plated   | M4 x 14       | 100    | 24560-130 |

## Subracks - *europac PRO* ServicePLUS

### Grub screws

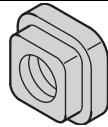
#### Order Information

| Description                                                                       | Application                                     | Material          | Dimension | Qty/PU | Part no.  |
|-----------------------------------------------------------------------------------|-------------------------------------------------|-------------------|-----------|--------|-----------|
|  | For threaded inserts M2.5 and perforated strips | Stainless steel   | M2.5 x 9  | 100    | 21101-359 |
|                                                                                   | For threaded inserts M2.5                       | St, nickel-plated | M2.5 x 8  | 100    | 21100-276 |
|                                                                                   | For threaded inserts M3                         | St, zinc-plated   | M3.0 x 8  | 100    | 21100-646 |

06702053

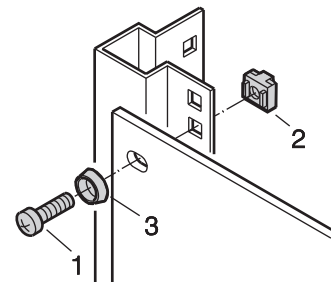
### Square nuts

#### Order Information

| Description                                                                       | Application                                                         | Material        | Dimension | Qty/PU | Part no.  |
|-----------------------------------------------------------------------------------|---------------------------------------------------------------------|-----------------|-----------|--------|-----------|
|  | For fixing: parts to side panels, support profiles, mounting plates | St, zinc-plated | M4        | 100    | 24560-140 |

AZA45921

### Assembly kits



SC128XXX

- For assembly of subracks in cabinets or 19" cases
- For assembly of desk-top cases in cabinets by means of 19" brackets

#### Delivery comprises (kit)

| Item | Qty | Description                          |
|------|-----|--------------------------------------|
| 1    | 1   | Pozidrive screw M6 x 16, zinc-plated |
| 2    | 1   | Plastic washer, ABS, black           |
| 3    | 1   | Cage nut M6, zinc-plated             |

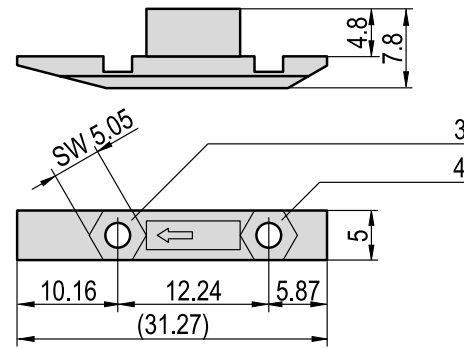
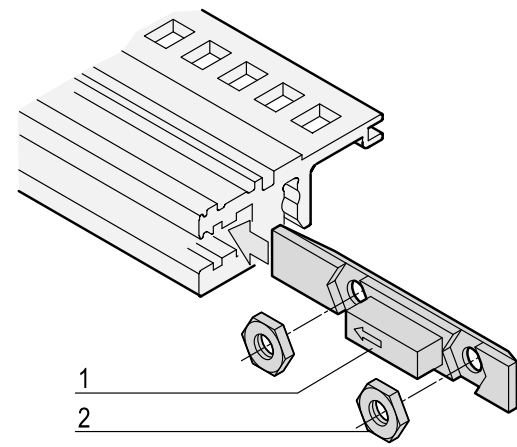
#### Order Information

| Description                                    | Part no.  |
|------------------------------------------------|-----------|
| PU = 8 x screw, washer, nut                    | 21100-435 |
| PU = 50 each of M6 screw, washer and cage nut  | 21101-809 |
| PU = 100 each of M6 screw, washer and cage nut | 21101-810 |

- For 19" brackets with material thickness of 1.5 mm, see "Assembly kits" in chapter Cabinet accessories



Slide, to accomodate 2 nuts



- The slide is pushed into the groove of the horizontal rail to front or rear (type VT)

**Delivery comprises (kit)**


| Item | Qty | Description                |
|------|-----|----------------------------|
| 1    | 1   | Slide, PBT, red, UL 94 V-0 |
| 2    | 2   | Nut, M2.5, St, zinc-plated |

**Order Information**

| Description     |                     | Part no.  |
|-----------------|---------------------|-----------|
| Slide nut kit 1 | 100 slides/200 nuts | 24560-165 |
| Slide nut kit 2 | 12 slides/24 nuts   | 24560-166 |

**Note**

- Nuts used in item 3 suitable for:
  - hinged front panels, 84 HP
  - front or rear panels, 84 HP
- Nuts used in item 4 suitable for:
  - hinged front panels
- Nuts used in item 3 and 4 suitable for:
  - two front panels

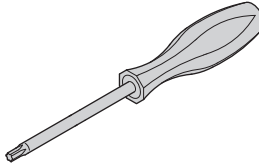
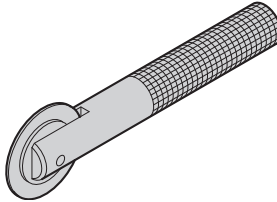
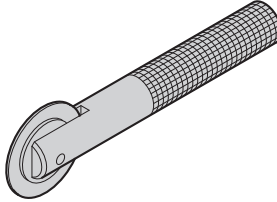
 For further information [www.schroff.biz/oneclick](http://www.schroff.biz/oneclick)  
oneClick search code = Part no.

06702060

# Subracks - *europac PRO* ServicePLUS

## Assembly tools

### Order Information

| Description                                                                                                    | Application                                                           | Dimension | Qty/PU | Part no.  |
|----------------------------------------------------------------------------------------------------------------|-----------------------------------------------------------------------|-----------|--------|-----------|
| <br>Torx screwdriver          | T 8 torx                                                              | T8        | 1      | 64560-026 |
|                                                                                                                | T 20 torx                                                             | T20       | 1      | 64560-027 |
| <br>AZA45925<br>Assembly tool | Exclusively to fix stainless steel EMC gaskets in horizontal rails    | —         | 1      | 24560-271 |
| <br>AZA45938<br>Assembly tool | To fix stainless steel EMC gaskets on front panels with lateral slots | —         | 1      | 24560-270 |

### Note


- Assembly tool to insert keying/coding pegs in guide rails is available on request

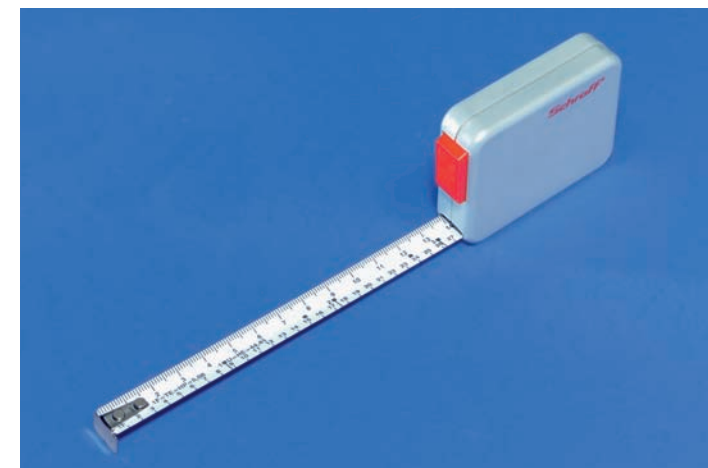
## Tape measure

- Measuring tape with cm, U-, HP-division (length 2 m)
- Plastic housing, metal measuring tape with automatic collection

### Order Information

| Description  | Qty/PU<br>piece | Part no.  |
|--------------|-----------------|-----------|
| Tape measure | 1               | 89009-001 |


**For further information [www.schroff.biz/oneclick](http://www.schroff.biz/oneclick)**  
 oneClick search code = Part no.



32506001

Application examples

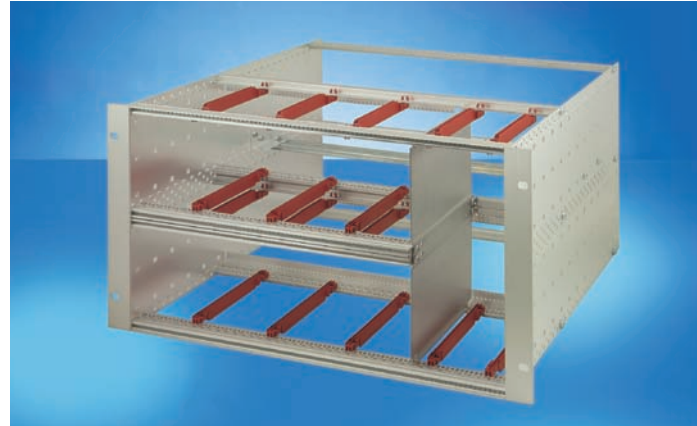
**Application: Transportation/defense sectors**



- Mounting frame to accommodate a 36 HP wide railway subrack, frame from stainless steel

- Robust assembly by double bolt-on fixing
- Lateral ducting in cabinet
- Combined mounting 6 U+ 2 x 3 U

**Application: Measurement, control and instrumentation sectors**



- Combined mounting with 2 x 3 U in 6 U
- Divider plate to separate different sections
- Installation with strengthened guide rails

- Subrack with additional telescopic fan unit
- Adaptation at bottom and top integrated into the side panel

**Application: Telecoms sectors**



- Shielded subrack for special applications with mounting plate, cover and base plate
- Mounting plate for heavy assemblies

- Subrack with plastic cable ducting for fibre optic cables
- Terminal area at top

Overview ..... 0

Cabinets ..... 1

Wall mounted cases ..... 2

Accessories for cabinets and wall mounted cases 3

Climate control 4

Desk-top cases 5

**Subracks/  
19" chassis ... 6**

Front panels,  
plug-in units .. 7

Systems ..... 8

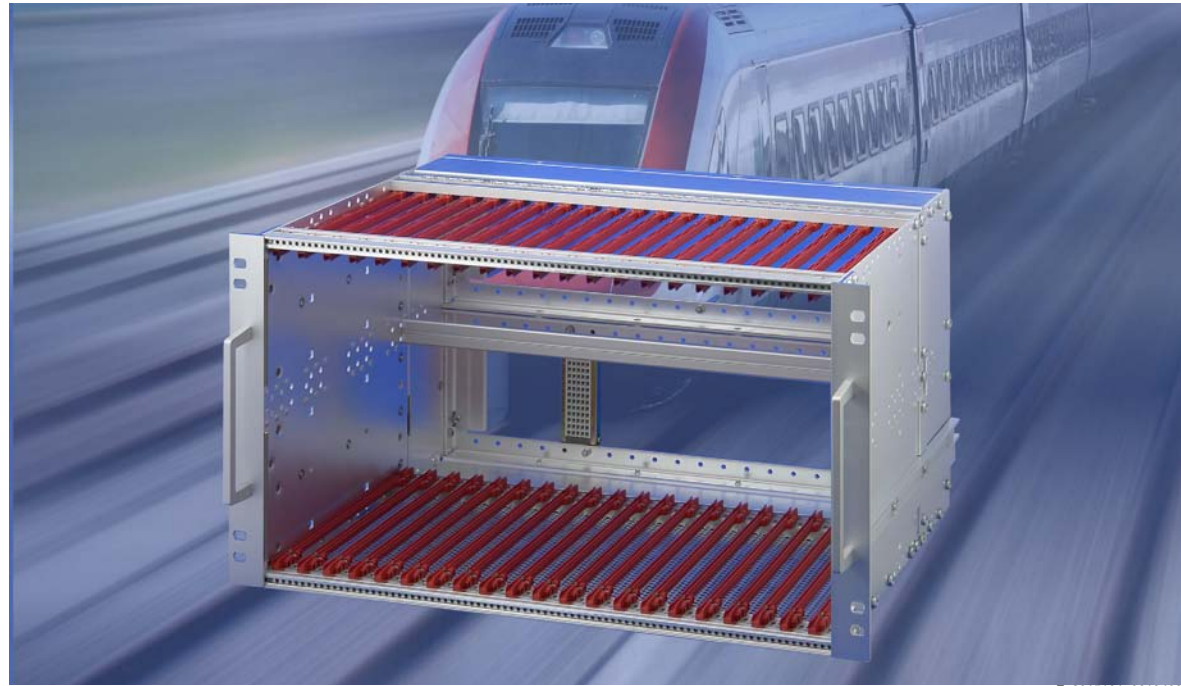
Power supply  
units ..... 9

Backplanes .. 10

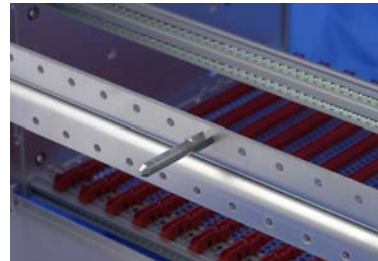
Connectors, front  
panel component  
system ..... 11

Appendix .... 12

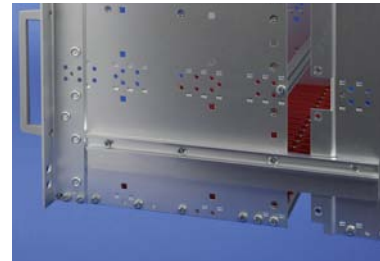
## Subracks - for railway applications



F\_2015161\_06104008



06108013



06108014



06108015

An alignment pin to NFF standard allows the easy installation of the subracks

Lateral support bars to NFF standard facilitate insertion of subrack into the (cabinet) frame

The 19" bracket is firmly fixed to the side panel (tox-cold welded) and is especially suited for high mechanical stresses(vibration resistance)



06108016



06108017



06108015

The double 19" screwing position adds to additionally safety (NFF standard)

The cut-out in the side panel allows to retrofit the threaded insert, also if the side panels are already assembled

The rear brackets have two functions:  
- push-in aid and  
- transport protection for the connectors  
The removable rear hood allows a fast cabling between backplane and connector

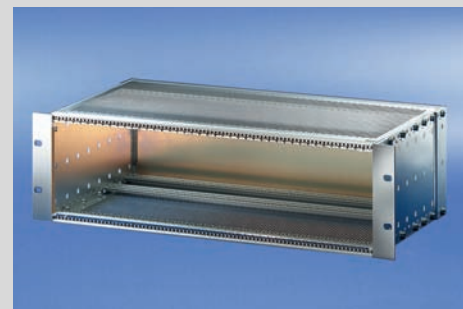


Downloads and further important information can be found on the Internet under [www.schroff.biz](http://www.schroff.biz)



19" subrack for mobile rail applications

- Shock and vibration resistance to IEC 61587-1, EN 50155, NF F 61-005 / NF F 60-002, BN 411002 and BN 411003
- Versions for CompactPCI applications
- Best suited for high mechanical demands



**BN 411002, 411003 subracks**

- Height 3 U and 6 U
- Width 84 HP
- Unshielded and shielded versions



**BN 411002/003 subracks**  
 unshielded .... 6.73  
 shielded ..... 6.74



**EN 50155 subrack**

- Height 3 U and 6 U
- Width 84 HP
- Unshielded and shielded versions
- Shielded versions for CompactPCI applications

**EN 50155 subracks**  
 unshielded ..... 6.75  
 shielded ..... 6.76  
 shielded, for CompactPCI .... 6.77



**SNCF subrack**

- Height 3 U and 6 U
- Width 9 T (36 HP) and 21 T (84 HP)
- Unshielded and shielded versions
- Shielded versions for CompactPCI applications



**SNCF subracks**  
 unshielded ..... 6.78  
 shielded ..... 6.79  
 shielded, for CompactPCI .... 6.80

**Accessories**  
 Guide rails ..... 6.81  
 Cover plates .... 6.82  
 General accessories in europacPRO section ..... 6.17

**ServicePLUS . . 6.84**  
 Application examples ..... 6.85

europacPRO 6.6  
 europacPRO for industrial applications 6.86  
 europacPRO for rugged applications 6.92

**ServicePLUS from page 6.84**

- e.g. modification (cut-outs)
- e.g. downloads (CAD drawings, user manuals, test reports)
- e.g. custom solutions (special depths, electromagnetically shielded applications)

[www.schroff.biz/ServicePLUS](http://www.schroff.biz/ServicePLUS)



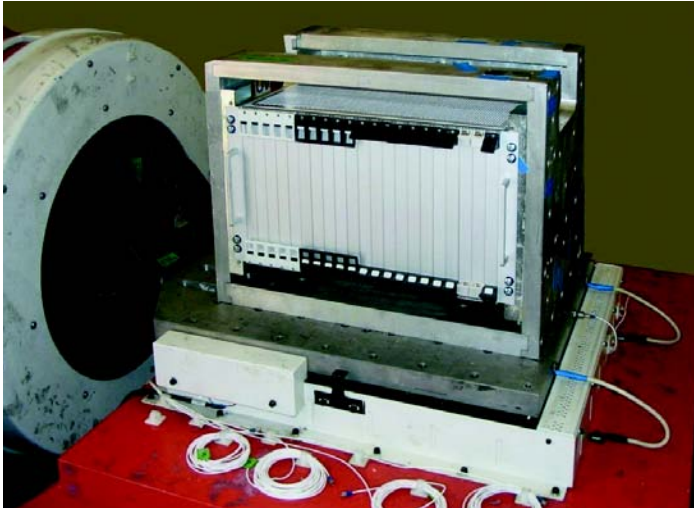


# Subracks - *europac PRO* for railway applications

Subrack for mobile rail applications



**Solid mechanical construction**  
 Electronics for mobile applications require robust mechanical construction that can withstand extreme environmental conditions. Our enclosure solutions protect the housed electronics thanks to their high mechanical strength and thus are an important element for secure and trouble-free operation of the entire system. Only dependability, down to the last detail, can make complex safety tasks achievable - and also economic.



**Shock and vibration resistance**  
 Schroff products assure shock and vibration resistance in mobile applications e.g. by suitable material thicknesses and fixing elements. Tested with typical loads, they offer the best conditions for secure and reliable functioning in individual applications and projects.

**Certification of mechanics**  
 High-quality, robust and durable products are an important component for the certification of a complete application in accordance with the European Railway Standard DIN EN 50155, the German Railway Standards BN 411002 and BN 411003 and the French Railway Standards NF F 61-005 and NF F 60-002.

**Note**  
 fer = ferroviaire (French) = railway  
 1 T = 4 HP = 20.32 mm



**Railway Technology brochure**  
 A large amount of general information on our railway systems solutions can be found at [www.schroff.co.uk/railway/](http://www.schroff.co.uk/railway/) and in our "Railway Systems" brochure.

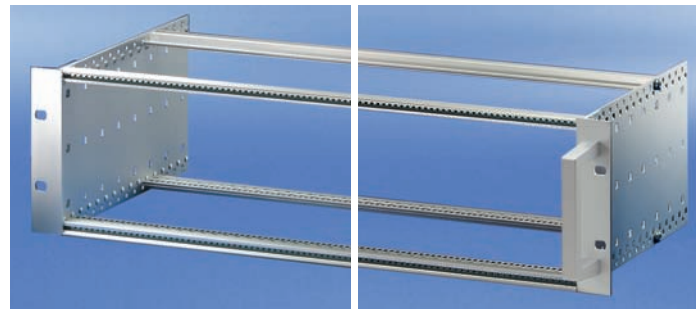


TÜV test report



# Subracks - *europac PRO* for railway applications

Kit, unshielded, 'heavy',  
for backplane mounting



Without front handle

With front handle

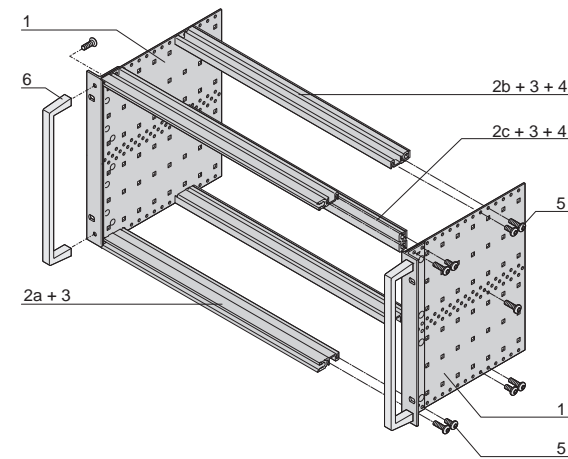
- Subrack with side panel type H ("heavy"), 19" bracket is firmly connected to side panel (tox-cold welded)
- Rear horizontal rail for backplane mounting with insulation strip
- Tested to German Railway Standards BN 411002, BN 411003
- Versions with/without front handles



**NEW**

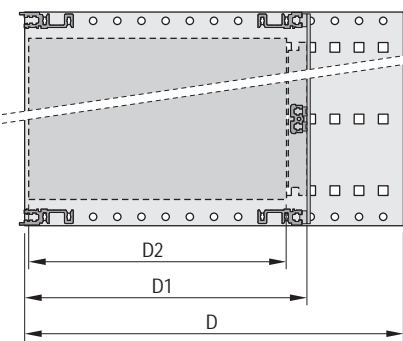
**Delivery comprises (Kit)**

| Item    | Qty | Description                                                                                                  |
|---------|-----|--------------------------------------------------------------------------------------------------------------|
| 3 U 6 U |     |                                                                                                              |
| 1       | 2   | 2 Side panel type H, Al, 2 mm, passivated, with 19" support bracket (tox-cold welded) for textile EMC gasket |
| 2a      | 2   | 2 Front horizontal rail (H-KD)                                                                               |
| 2b      | 2   | 2 Rear horizontal rail (H-ST)                                                                                |
| 2c      | -   | 1 Rear horizontal rail centre (H-ST)                                                                         |
| 3       | 4   | 6 Threaded inserts, front and rear (pre-fitted)                                                              |
| 4       | 2   | 4 Insulation strip (pre-fitted)                                                                              |
| 5       | 1   | 1 Fixing material kit, user manual                                                                           |
| 6       | 2   | 2 Front handle (on version with front handle only)                                                           |



6 U

06111057



D=overall depth, D1=insertion depth,  
D2=board depth = D1 - 15 mm



Rear horizontal rail for backplane mounting with insulation strip

**Order Information**

| Height U | Width HP | Depth D mm | Depth D1 mm     | Part no. with front handle | Part no. without front handle |
|----------|----------|------------|-----------------|----------------------------|-------------------------------|
| 3        | 84       | 175        | 175             | 24567-161                  | 24563-161                     |
| 3        | 84       | 235        | 175/235         | 24567-162                  | 24563-162                     |
| 3        | 84       | 295        | 175/235/295     | 24567-163                  | 24563-163                     |
| 3        | 84       | 355        | 175/235/295/355 | 24567-164                  | 24563-164                     |
| 6        | 84       | 175        | 175             | 24567-461                  | 24563-461                     |
| 6        | 84       | 235        | 175/235         | 24567-462                  | 24563-462                     |
| 6        | 84       | 295        | 175/235/295     | 24567-463                  | 24563-463                     |
| 6        | 84       | 355        | 175/235/295/355 | 24567-464                  | 24563-464                     |

**Accessories**

**19" assembly kit (screw, washer, nut)** (8 x screws, 8 x plastic washers, 8 x cage nuts) 21100-435

**Guide rails (standard), ESD clips**

| Depth D2 mm | Qty/PU pieces | Part no.  |
|-------------|---------------|-----------|
| 160         | 10            | 24560-351 |
| 220         | 10            | 24560-353 |
| 280         | 10            | 24560-379 |
| 340         | 10            | 24560-380 |

**ESD clip for guide rails** PU 50 pieces 24560-255

**Torx panhead screw**, for extra bolting of the guide rails, 2.5 x 9.3, zinc-plated, PU 100 pieces 24560-141

**Note**

- Perforated rails, cover plates and assembly kit from page 6.34
- Textile EMC gaskets see page 6.21
- Further accessories from page 6.17
- ServicePLUS configuration from page 6.84



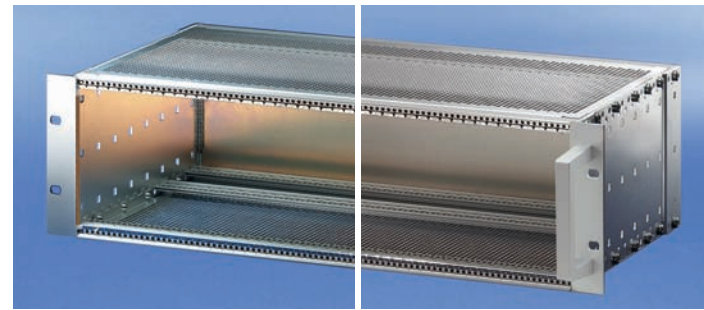
ServicePLUS see page 6.84



For further information [www.schroff.biz/oneclick](http://www.schroff.biz/oneclick)  
oneClick search code = Part no.

# Subracks - *europac PRO* for railway applications

Kit, shielded, "heavy", for backplane mounting



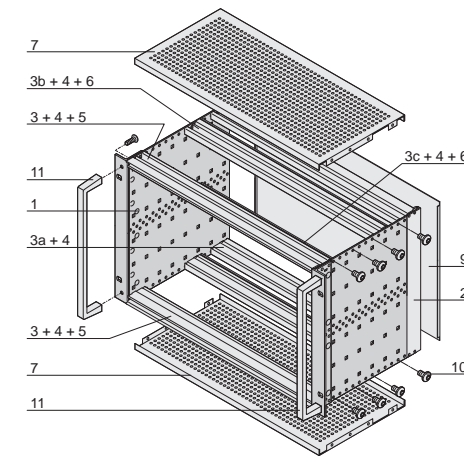
- Subrack with side panel type H ("heavy"), 19" bracket is firmly connected to side panel (tox-cold welded)
- Horizontal rail rear for backplane mounting with insulating strip
- Shielding typically 40 dB at 1 GHz, 30 dB at 2 GHz (in accordance with VG 95373, part 15 or IEC 61587, part 3), under the condition that the front is closed with shielded front panels
- Tested to German Railway Standards BN 411002, BN 411003
- Versions with/without front handles



**NEW**

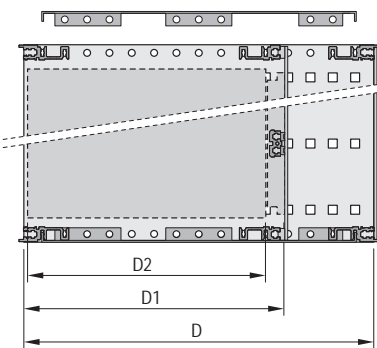
### Delivery comprises (Kit)

| Item | Qty | Description |                                                                                                             |
|------|-----|-------------|-------------------------------------------------------------------------------------------------------------|
|      | 3 U | 6 U         |                                                                                                             |
| 1    | 2   | 2           | Side panel type H, Al, 2 mm, passivated, with 19" support bracket (tox-cold welded); for textile EMC gasket |
| 2    | 2   | 2           | Rear corner profile for textile EMC gasket                                                                  |
| 3    | 2   | 2           | Front horizontal rail (H-KD)                                                                                |
| 3 a  | 2   | 2           | Rear horizontal rail (H-KD)                                                                                 |
| 3 b  | 2   | 2           | Rear horizontal rail (H-ST)                                                                                 |
| 3 c  | -   | 1           | Rear horizontal rail centre (H-ST)                                                                          |
| 4    | 6   | 8           | Threaded insert (pre-fitted)                                                                                |
| 5    | 2   | 2           | Perforated strip (pre-mounted)                                                                              |
| 6    | 2   | 4           | Insulation strip (pre-fitted)                                                                               |
| 7    | 2   | 2           | EMC cover plate                                                                                             |
| 8    | 1   | 1           | EMC gasketing material (pre-fitted)                                                                         |
| 9    | 1   | 1           | EMC rear panel                                                                                              |
| 10   | 1   | 1           | Fixing material kit, user manual                                                                            |
| 11   | 2   | 2           | Front handle (on version with front handle only)                                                            |



0611058

6 U



0610860

D = overall depth, D1 = insertion depth, D2 = board depth = D1 - 15 mm



Rear horizontal rail for backplane mounting with insulation strip

### Accessories

**19" assembly kit (screw, washer, nut)** (8 x screws, 8 x plastic washers, 8 x cage nuts) 21100-435

### Guide rails (standard), ESD clips

| Depth D2 mm | Qty/PU pieces | Part no.  |
|-------------|---------------|-----------|
| 160         | 10            | 24560-351 |
| 220         | 10            | 24560-353 |
| 280         | 10            | 24560-379 |

**ESD clip for guide rails** PU 50 pieces 24560-255  
**Torx panhead screw**, for extra bolting of the guide rails, 2.5 x 9.3, zinc-plated, PU 100 pieces 24560-141

- Perforated rail for connectors see page 6.34
- Further accessories from page 6.17
- ServicePLUS configuration from page 6.84



ServicePLUS see page 6.84

6.74

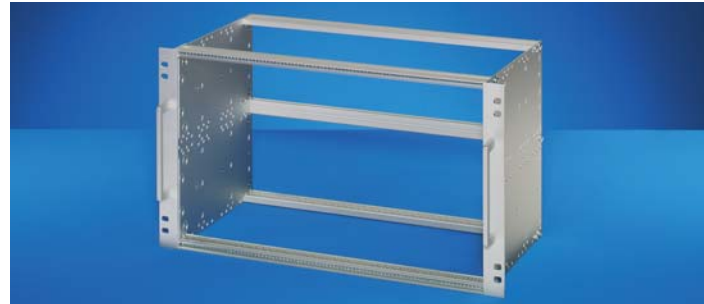
Main Catalogue  
E 10/2012

Part number in bold face type: ready for despatch within 2 working days  
 Part number in normal type: ready for despatch within 10 working days



## Subracks - *europac* PRO for railway applications

Kit, EN 50155, unshielded



- Subrack in robust "heavy" version, 19" bracket is firmly connected to side panel (tox-cold welded)
- For mobile railway applications
- Tested to EN 50155
- 3 U and 6 U, 84 HP, 235 mm deep, for 220 mm board depth

### Delivery comprises (kit)

| Item | Qty        | Description |                                                                                               |
|------|------------|-------------|-----------------------------------------------------------------------------------------------|
|      | <b>3 U</b> | <b>6 U</b>  |                                                                                               |
| 1    | 2          | 2           | Side panel type H with 19" support bracket (tox-cold welded); prepared for EMC textile gasket |
| 2    | 2          | 2           | Front horizontal rail (H-KD)                                                                  |
| 2 a  | 2          | 2           | Rear horizontal rail (H-VT)                                                                   |
| 2 b  | -          | 1           | Rear centre horizontal rail (VT)                                                              |
| 3    | 4          | 6           | Threaded inserts                                                                              |
| 4    | 2          | 2           | Handles                                                                                       |
| 5    | 1          | 1           | Assembly kit with self-locking screws                                                         |
| 6    | 1          | 1           | User manual                                                                                   |

### Order Information

| Height | Width | Depth | Part no.  |
|--------|-------|-------|-----------|
| U      | HP    | mm    |           |
| 3      | 84    | 235   | 21500-077 |
| 6      | 84    | 235   | 21500-078 |

### Accessories

|                                                                                                                          |           |
|--------------------------------------------------------------------------------------------------------------------------|-----------|
| <b>Guide rail, standard, 220 mm deep</b><br>PBT, UL 94 V-0, red, groove width 2 mm, PU 10 pieces, see page 6.36          | 24560-353 |
| <b>Panhead screw with Torx</b><br>M2.5 x 9.3, St, zinc-plated, self-locking, PU 100 pieces                               | 21500-039 |
| <b>ESD clip for guide rails</b> PU 50 pieces                                                                             | 24560-255 |
| <b>Cover plate for screw-fixing onto side panel</b><br>width 84 HP, depth 220 mm, PU 1 kit                               | 21500-037 |
| <b>19" dual fixing materials kit</b> suitable for a subrack with double fixing holes (bolts, washers and nuts), PU 1 kit | 24566-109 |

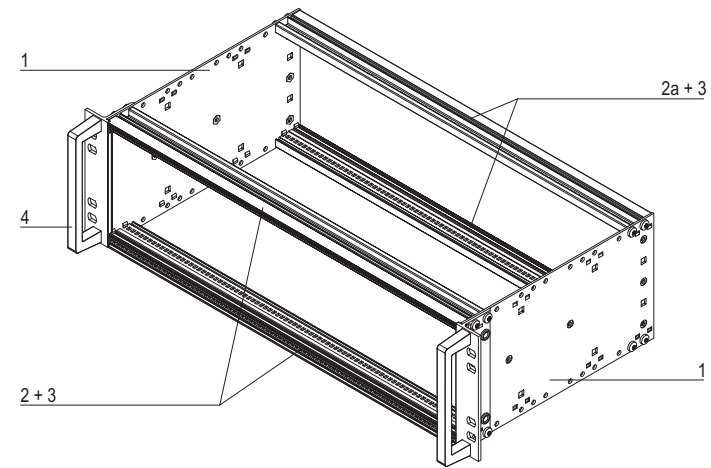
### Note

- Test reports online
- ServicePLUS configuration see from page 6.84
- Further accessories see from page 6.17



For further information [www.schroff.biz/oneclick](http://www.schroff.biz/oneclick)  
oneClick search code = Part no.

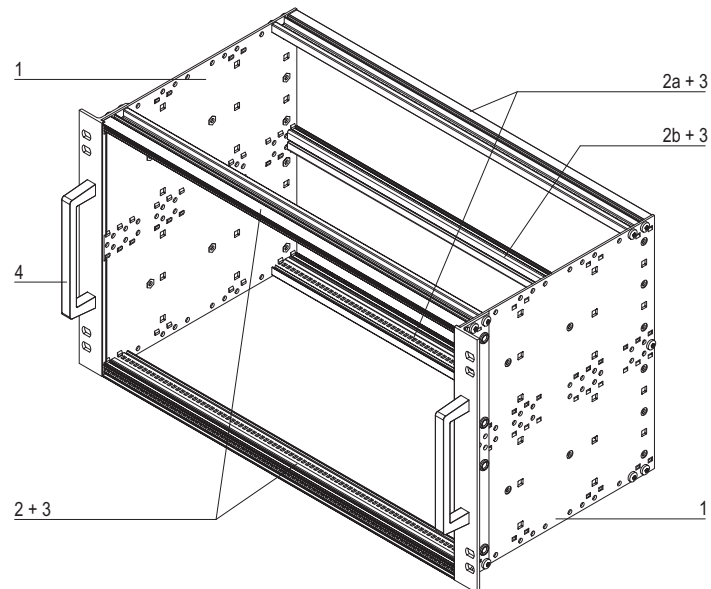
3 U



06104005

06104056

6 U



06104057



ServicePLUS see page 6.84

## Subracks - *europac* PRO for railway applications

Kit, EN 50155, shielded



- Subrack in robust "heavy" version, 19" bracket is firmly connected to side panel (tox-cold welded)
- For mobile railway applications
- Tested to EN 50155
- 3 U and 6 U, 84 HP, 235 mm deep, for 220 mm board depth

### Delivery comprises (kit)

| Item           | Qty | Description                                                                          |
|----------------|-----|--------------------------------------------------------------------------------------|
| <b>3 U 6 U</b> |     |                                                                                      |
| 1              | 2 2 | Side panel type H with 19" support bracket (tox-cold welded); for textile EMC gasket |
| 2              | 2 2 | Front horizontal rail (H-KD)                                                         |
| 2 a            | 2 2 | Rear horizontal rail (H-VT)                                                          |
| 2 b            | - 1 | Rear centre horizontal rail (VT)                                                     |
| 3              | 4 6 | Threaded inserts                                                                     |
| 4              | 2 2 | Perforated strip                                                                     |
| 5              | 2 2 | EMC cover plate 235 T                                                                |
| 6              | 1 1 | EMC gasketing kit                                                                    |
| 7              | 1 2 | Backplane kit – EMC shielding material                                               |
| 8              | 2 2 | Handles                                                                              |
| 9              | 1 1 | Assembly kit with self-locking screws                                                |
| 10             | 1 1 | User manual                                                                          |

### Order Information


| Height   | Width     | Depth     | Part no.  |
|----------|-----------|-----------|-----------|
| <b>U</b> | <b>HP</b> | <b>mm</b> |           |
| 3        | 84        | 235       | 21500-079 |
| 6        | 84        | 235       | 21500-080 |

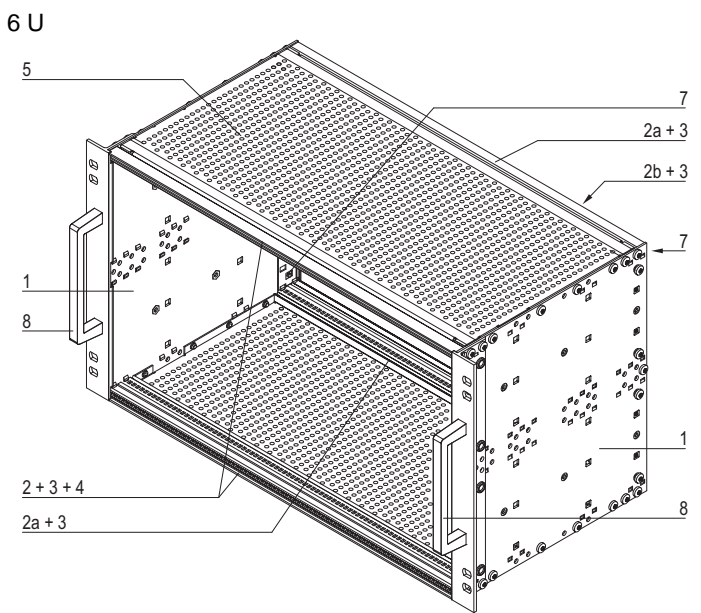
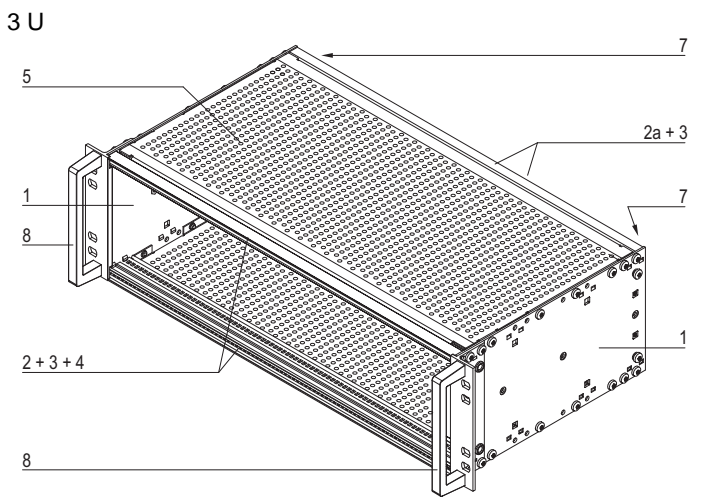
### Accessories

|                                                                                                                          |           |
|--------------------------------------------------------------------------------------------------------------------------|-----------|
| <b>Guide rail, standard, 220 mm deep</b><br>PBT, UL 94 V-0, red, groove width 2 mm, PU 10 pieces, see page 6.36          | 24560-353 |
| <b>Panhead screw with Torx</b><br>M2.5 x 9.3, St, zinc-plated, self-locking, PU 100 pieces                               | 21500-039 |
| <b>ESD clip for guide rails</b> PU 50 pieces                                                                             | 24560-255 |
| <b>19" dual fixing materials kit</b> suitable for a subrack with double fixing holes (bolts, washers and nuts), PU 1 kit | 24566-109 |

### Note

- Test reports online
- ServicePLUS configuration see from page 6.84
- Further accessories see from page 6.17

 For further information [www.schroff.biz/oneclick](http://www.schroff.biz/oneclick)  
oneClick search code = Part no.



ServicePLUS see page 6.84



## Subracks - **europacPRO** for railway applications

Kit, EN 50155, shielded, for CompactPCI applications



- Subrack in robust "heavy" version, 19" bracket is firmly connected to side panel (tox-cold welded)
- For mobile railway applications
- Tested to EN 50155
- 3 U and 6 U, 84 HP, 235 mm deep, for 160 mm board depth
- Subrack in accordance with IEEE 1101.10

### Delivery comprises (kit)

| Item           | Qty | Description                                                                          |
|----------------|-----|--------------------------------------------------------------------------------------|
| <b>3 U 6 U</b> |     |                                                                                      |
| 1              | 2 2 | Side panel type H with 19" support bracket (tox-cold welded); for textile EMC gasket |
| 2              | 1 - | Front horizontal rail (H-KD)                                                         |
| 2 a            | 2 2 | Rear horizontal rail (H-VT)                                                          |
| 2 b            | - 1 | Rear centre horizontal rail (VT)                                                     |
| 2 c            | 1 2 | Front horizontal rail (H-LD)                                                         |
| 3              | 4 6 | Threaded inserts                                                                     |
| 4              | 2 2 | Perforated strip                                                                     |
| 5              | 2 2 | EMC cover plate, 175 T                                                               |
| 6              | 1 1 | EMC gasketing kit                                                                    |
| 7              | 1 2 | Backplane kit – EMC shielding material                                               |
| 8              | 2 2 | Handles                                                                              |
| 9              | 1 1 | Assembly kit with self-locking screws                                                |
| 10             | 1 1 | User manual                                                                          |

### Order Information

| Height | Width | Depth | Part no.  |
|--------|-------|-------|-----------|
| U      | HP    | mm    |           |
| 3      | 84    | 235   | 21500-081 |
| 6      | 84    | 235   | 21500-082 |

### Accessories

|                                                                                                                          |           |
|--------------------------------------------------------------------------------------------------------------------------|-----------|
| <b>19" dual fixing materials kit</b> suitable for a subrack with double fixing holes (bolts, washers and nuts), PU 1 kit | 24566-109 |
|--------------------------------------------------------------------------------------------------------------------------|-----------|

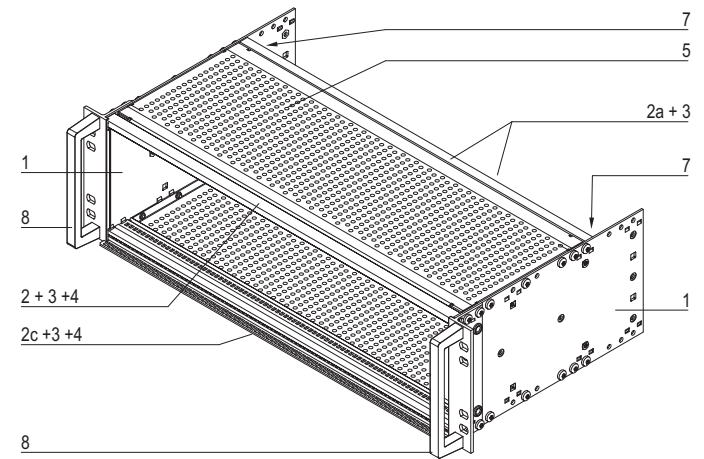
### Note

- Please order guide rails and ESD clips separately, see page 6.81
- Test reports online
- ServicePLUS configuration see from page 6.84
- Further accessories see from page 6.17



For further information [www.schroff.biz/oneclick](http://www.schroff.biz/oneclick)  
oneClick search code = Part no.

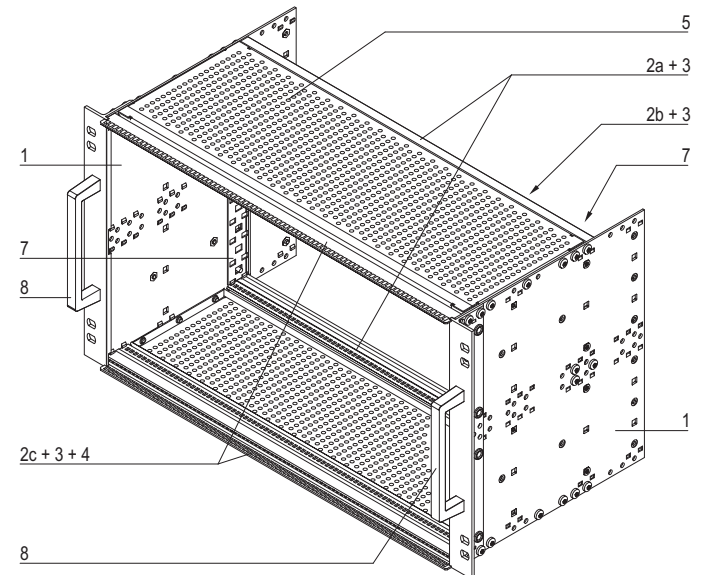
3 U



06104007

06104060

6 U



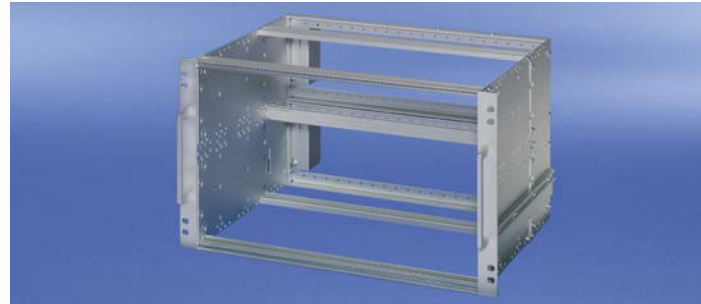
06104061



ServicePLUS see page 6.84

## Subracks - *europacPRO* for railway applications

Kit, SNCF, unshielded



- Subrack, robust "heavy" version, 19" bracket is firmly connected to side panel (tox-cold welded)
- For mobile railway applications
- SNCF listed, europacPRO-fer, tested to NF F 61-005 and NF F 60-002
- 3 U and 6 U, 9 HP and 21 HP, 320 mm deep, for 220 mm board depth



### Delivery comprises (kit)

| Item | Qty | Description |                                                                                               |
|------|-----|-------------|-----------------------------------------------------------------------------------------------|
|      | 3 U | 6 U         |                                                                                               |
| 1    | 2   | 2           | Side panel type H with 19" support bracket (tox-cold welded); prepared for textile EMC gasket |
| 2    | 2   | 2           | Side panel extension                                                                          |
| 3    | 2   | 2           | Ducting external                                                                              |
| 4    | 2   | 2           | Front horizontal rail (H-KD)                                                                  |
| 4 a  | 2   | 2           | Rear horizontal rail (H-VT)                                                                   |
| 4 b  | -   | 1           | Rear centre horizontal rail (VT)                                                              |
| 5    | 4   | 6           | Threaded inserts                                                                              |
| 6    | 1   | 2           | Rear frame 3 U, 21 T                                                                          |
| 7    | 2   | 4           | Protective bracket SNCF                                                                       |
| 8    | 2   | 2           | Handle                                                                                        |
| 9    | 1   | 1           | Assembly kit with self-locking screws                                                         |
| 10   | 1   | 1           | User manual                                                                                   |

### Order Information

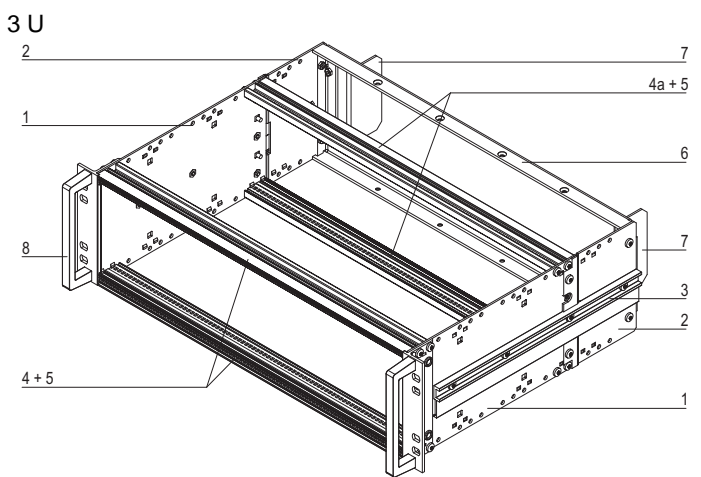
| Width        | Height | Depth | Part no.  |
|--------------|--------|-------|-----------|
| mm           | U      | mm    |           |
| 36 HP (9 T)  | 3      | 320   | 21500-067 |
| 36 HP (9 T)  | 6      | 320   | 21500-070 |
| 84 HP (21 T) | 3      | 320   | 21500-029 |
| 84 HP (21 T) | 6      | 320   | 21500-027 |

### Accessories

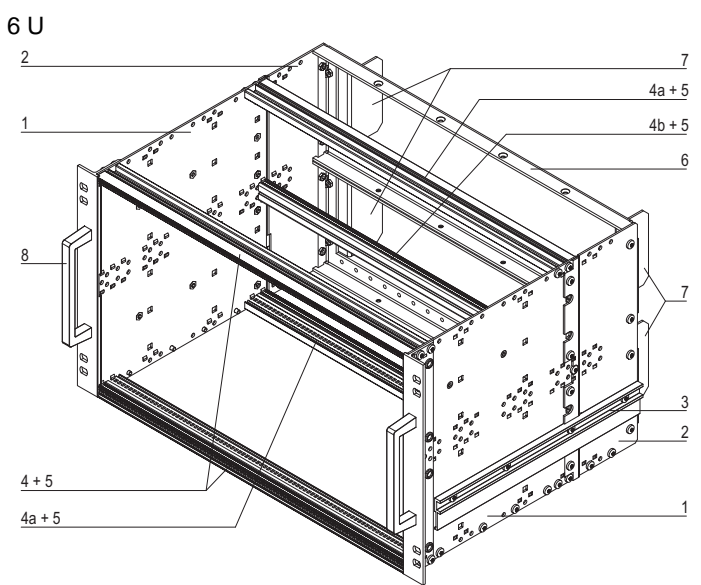
|                                                                                                                          |           |
|--------------------------------------------------------------------------------------------------------------------------|-----------|
| <b>Guide rail, standard, 220 mm deep</b><br>PBT, UL 94 V-0, red, groove width 2 mm, PU 10 pieces, see page 6.36          | 24560-353 |
| <b>Panhead screw with Torx</b><br>M2.5 x 9.3, St, zinc-plated, self-locking, PU 100 pieces                               | 21500-039 |
| <b>ESD clip for guide rails</b> PU 50 pieces                                                                             | 24560-255 |
| <b>Coding peg</b> for rear frame, St, white zinc-plated, 1 piece                                                         | 60895-018 |
| <b>19" dual fixing materials kit</b> suitable for a subrack with double fixing holes (bolts, washers and nuts), PU 1 kit | 24566-109 |

### Note

- fer = ferroviaire = French Railways, 1 T = 4 HP = 20.32 mm
- Receptacle/mounting frame for subracks, stainless steel, 9 T or 21 T on request
- Test reports online
- Cover plates for bolting on to side panel see page 6.82
- ServicePLUS configuration see from page 6.84
- Further accessories see from page 6.17

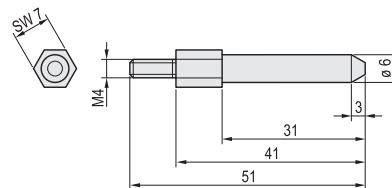


06104002



06104050

Coding peg



06104051

06104062



ServicePLUS see page 6.84



For further information [www.schroff.biz/oneclick](http://www.schroff.biz/oneclick)  
oneClick search code = Part no.

## Subracks - *europacPRO* for railway applications

Kit, SNCF, shielded



- Subrack, robust "heavy" version, 19" bracket is firmly fixed to side panel (tox-cold welded)
- For mobile railway applications
- SNCF listed, europacPRO-fer, tested to NF F 61-005 and NF F 60-002
- 3 U and 6 U, 9 T and 21 T, 320 mm deep, for 220 mm board depth



### Delivery comprises (kit)

| Item | Qty        | Description |                                                                                      |
|------|------------|-------------|--------------------------------------------------------------------------------------|
|      | <b>3 U</b> | <b>6 U</b>  |                                                                                      |
| 1    | 2          | 2           | Side panel type H with 19" support bracket (tox-cold welded); for textile EMC gasket |
| 2    | 2          | 2           | Side panel extension                                                                 |
| 3    | 2          | 2           | Ducting external                                                                     |
| 4    | 2          | 2           | Front horizontal rail (H-KD)                                                         |
| 4 a  | 2          | 2           | Rear horizontal rail (H-VT)                                                          |
| 4 b  | -          | 1           | Rear centre horizontal rail (VT)                                                     |
| 5    | 4          | 6           | Threaded inserts                                                                     |
| 6    | 2          | 2           | Perforated strip                                                                     |
| 7    | 2          | 2           | EMC cover plate 235 T                                                                |
| 8    | 2          | 2           | Rear cover plate, 55 T                                                               |
| 9    | 1          | 1           | EMC gasketing kit                                                                    |
| 10   | 1          | 2           | Backplane kit – EMC shielding material                                               |
| 11   | 1          | 2           | Rear frame, 3 U, 21 T                                                                |
| 12   | 2          | 4           | Protective bracket SNCF                                                              |
| 13   | 2          | 2           | Handles                                                                              |
| 14   | 1          | 1           | Assembly kit with self-locking screws                                                |
| 15   | 1          | 1           | User manual                                                                          |

### Order Information

| Width        | Height | Depth | Part no.  |
|--------------|--------|-------|-----------|
|              | U      | mm    |           |
| 36 HP (9 T)  | 3      | 320   | 21500-068 |
| 36 HP (9 T)  | 6      | 320   | 21500-071 |
| 84 HP (21 T) | 3      | 320   | 21500-030 |
| 84 HP (21 T) | 6      | 320   | 21500-028 |

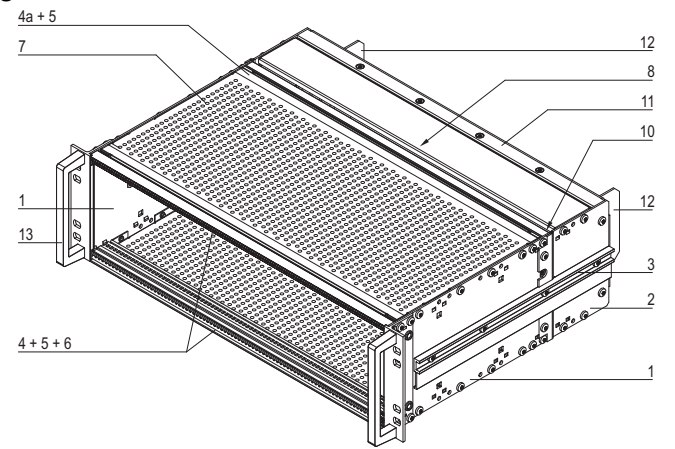
### Accessories

|                                                                                                                          |           |
|--------------------------------------------------------------------------------------------------------------------------|-----------|
| <b>Guide rail, standard, 220 mm deep</b><br>PBT, UL 94 V-0, red, groove width 2 mm, PU 10 pieces, see page 6.36          | 24560-353 |
| <b>Panhead screw with Torx</b><br>M2.5 x 9.3, St, zinc-plated, self-locking, PU 100 pieces                               | 21500-039 |
| <b>ESD clip for guide rails</b> PU 50 pieces                                                                             | 24560-255 |
| <b>Coding peg</b> for rear frame, St, white zinc-plated, 1 piece                                                         | 60895-018 |
| <b>19" dual fixing materials kit</b> suitable for a subrack with double fixing holes (bolts, washers and nuts), PU 1 kit | 24566-109 |

### Note

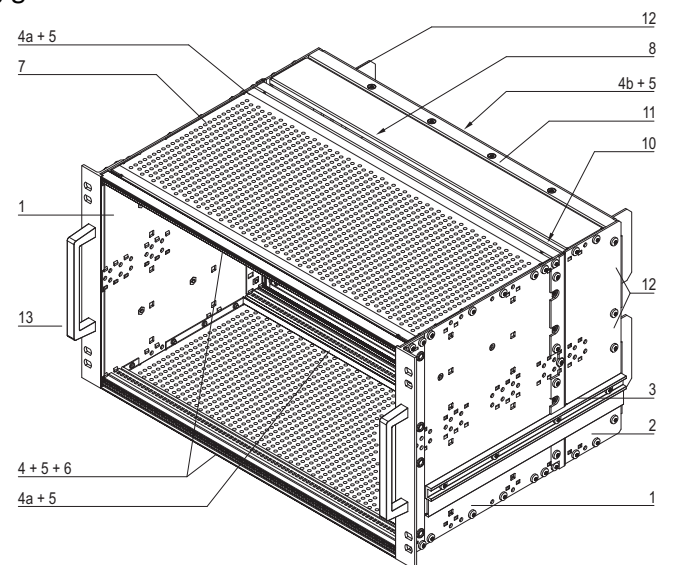
- fer = ferroviaire = French Railways, 1 T = 4 HP = 20.32 mm
- Receptacle/mounting frame for subracks, stainless steel, 9 T or 21 T on request
- Test reports online
- ServicePLUS configuration see from page 6.84
- Further accessories see from page 6.17

3 U



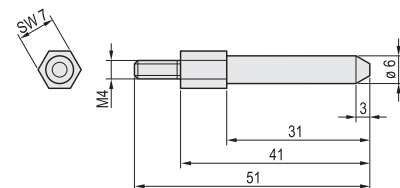
06104003

6 U



06104052

Coding peg



06104053

06104062



ServicePLUS see page 6.84



## Subracks - *europacPRO* for railway applications

Kit, SNCF, shielded,  
for CompactPCI applications



- Subrack, robust "heavy" version, 19" bracket is firmly fixed to side panel (tox-cold welded)
- For mobile railway applications
- SNCF listed, europacPRO-fer, tested to NF F 61-005 and NF F 60-002
- 3 U and 6 U, 9 HP and 21 HP, 320 mm deep, for 160 mm board depth
- CompactPCI subrack conforming to 1101.10



### Delivery comprises (kit)

| Item | Qty        | Description |                                                                                      |
|------|------------|-------------|--------------------------------------------------------------------------------------|
|      | <b>3 U</b> | <b>6 U</b>  |                                                                                      |
| 1    | 2          | 2           | Side panel type H with 19" support bracket (tox-cold welded); for textile EMC gasket |
| 2    | 2          | 2           | Side panel extension                                                                 |
| 3    | 2          | 2           | Ducting external                                                                     |
| 4    | 1          | -           | Front horizontal rail (H-KD)                                                         |
| 4 a  | 2          | 2           | Rear horizontal rail (H-VT)                                                          |
| 4 b  | -          | 1           | Rear centre horizontal rail (VT)                                                     |
| 4 c  | 1          | 2           | Front horizontal rail (H-LD)                                                         |
| 5    | 4          | 6           | Threaded inserts                                                                     |
| 6    | 2          | 2           | Perforated strip                                                                     |
| 7    | 2          | 2           | EMC cover plate, 175 T                                                               |
| 8    | 2          | 2           | Rear cover plate, 55 T                                                               |
| 9    | 1          | 1           | EMC gasketing kit                                                                    |
| 10   | 1          | 2           | Backplane kit – EMC shielding material                                               |
| 11   | 1          | 2           | Rear frame, 3 U, 21 T                                                                |
| 12   | 2          | 4           | Protective bracket SNCF                                                              |
| 13   | 2          | 2           | Handles                                                                              |
| 14   | 1          | 1           | Assembly kit with self-locking screws                                                |
| 15   | 1          | 1           | User manual                                                                          |

### Order Information

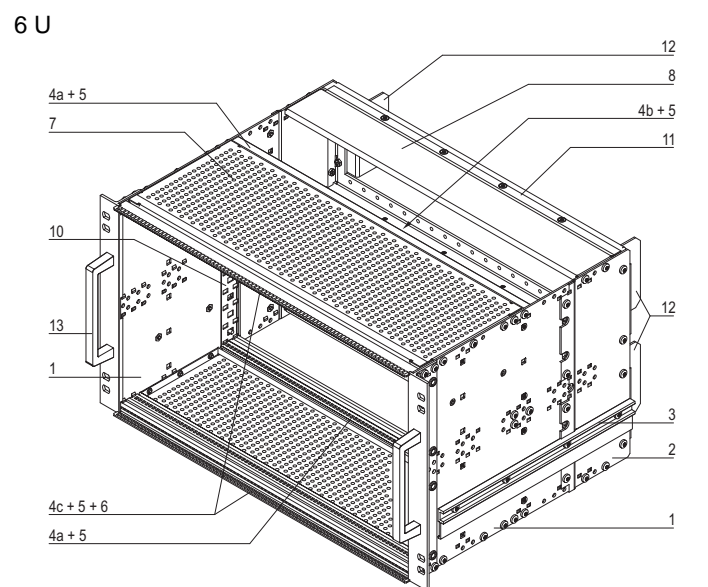
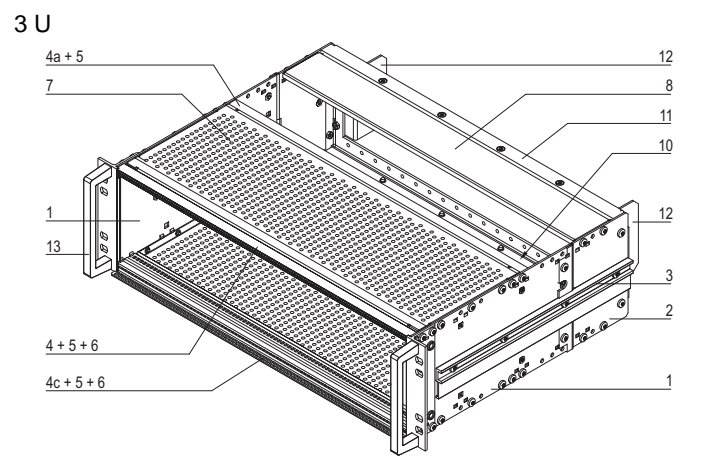
| Width        | Height | Depth | Part no.  |
|--------------|--------|-------|-----------|
| U            |        |       |           |
| 36 HP (9 T)  | 3      | 320   | 21500-069 |
| 36 HP (9 T)  | 6      | 320   | 21500-072 |
| 84 HP (21 T) | 3      | 320   | 21500-047 |
| 84 HP (21 T) | 6      | 320   | 21500-046 |

### Accessories

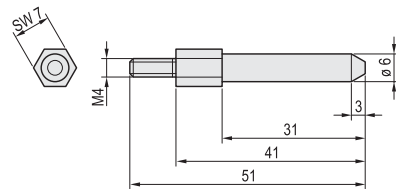
|                                                                                                                          |           |
|--------------------------------------------------------------------------------------------------------------------------|-----------|
| <b>Coding peg</b> for rear frame, St, white zinc-plated, 1 piece                                                         | 60895-018 |
| <b>19" dual fixing materials kit</b> suitable for a subrack with double fixing holes (bolts, washers and nuts), PU 1 kit | 24566-109 |

### Note

- Please order guide rails and ESD clips separately, see page 6.81
- fer = ferroviaire = French Railways, 1 T = 4 HP = 20.32 mm
- Receptacle/mounting frame for subracks, stainless steel, 9 T or 21 T on request
- Test reports online
- ServicePLUS configuration see from page 6.84
- Further accessories see from page 6.17



Coding peg



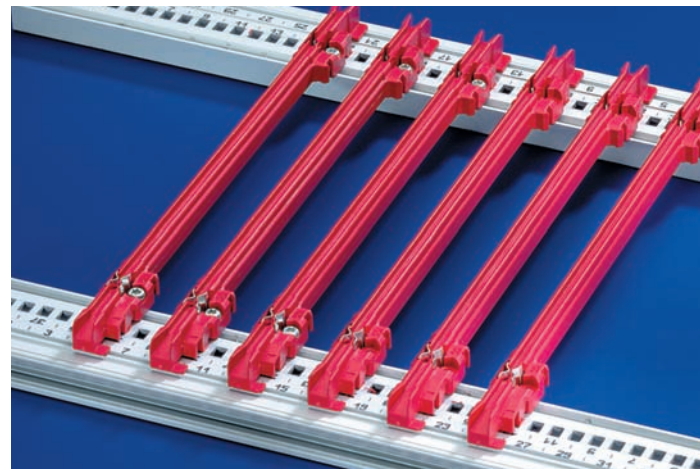
ServicePLUS see page 6.84

For further information [www.schroff.biz/oneclick](http://www.schroff.biz/oneclick)  
oneClick search code = Part no.



## Subracks - *europac PRO* for railway applications

### Guide rails



- Material PBT, UL 94 V-0, red, groove width 2 mm, for 1.6 mm board thickness

#### Order Information

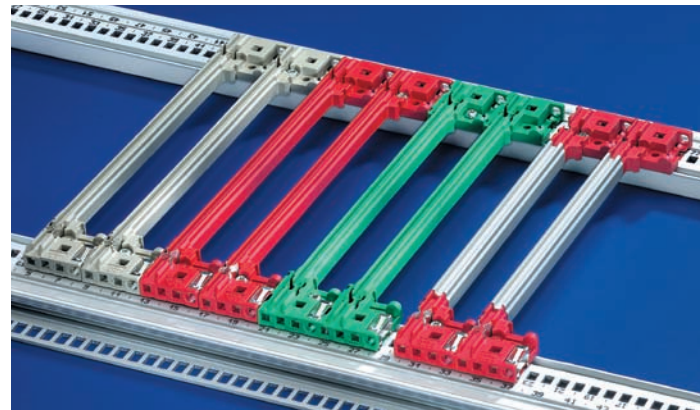
| Description                                  | Depth<br>mm | Qty/PU | Part no.  |
|----------------------------------------------|-------------|--------|-----------|
| Guide rails, accessories, 160 mm deep        | 160         | 10     | 24560-351 |
| Guide rails, standard, 220 mm deep           | 220         | 10     | 24560-353 |
| <b>ESD clip for guide rails</b> PU 50 pieces |             |        | 24560-255 |



For further information [www.schroff.biz/oneclick](http://www.schroff.biz/oneclick)  
oneClick search code = Part no.

06102001

### Guide rails with coding for CompactPCI and VME64x

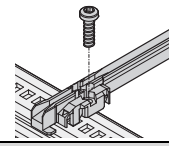


- The guide rails conform to IEC 60297-3-100 and IEEE 1101.10/11, are 4 HP wide and can be fitted with keying/coding pegs
- Material PBT UL 94 V-0, groove width 2 mm, for board thickness 1.6 mm
- Colour:
  - red (CPU board)
  - grey (periphery board)
  - green (CompactPCI power supply unit, 0.1" offset)

#### Order Information

| Description                            | Depth<br>mm | Qty/PU | Part no.  |
|----------------------------------------|-------------|--------|-----------|
| Guide rails with coding, red           | 160         | 10     | 24560-356 |
| Guide rails with coding, grey          | 160         | 10     | 24560-358 |
| Guide rails with coding, green, offset | 160         | 10     | 24560-359 |

**Panhead screw with Torx**  
M2.5 x 9.3, St, zinc-plated, self-locking,  
PU 100 pieces



21500-039

**ESD clip for guide rails** PU 50 pieces 24560-255

**ESD clip for alignment pin of CPCI/VME64x handle**  
PU 50 pieces 24560-256

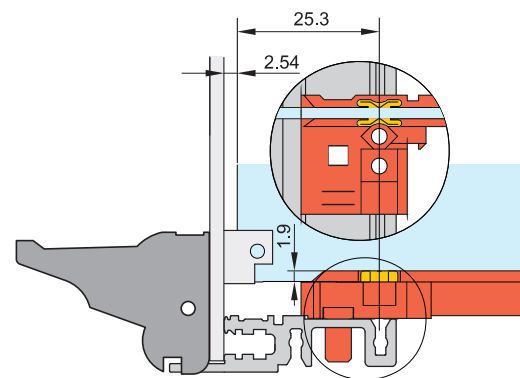
**Coding peg** PC, UL 94 V-0, RAL 7035, PU 100 pieces 20817-501

- More guide rails see page 6.36
- For inserter/extractor handle type IEL/IET for CompactPCI or VME64x applications see Subracks/Plug-in units section, page 7.18

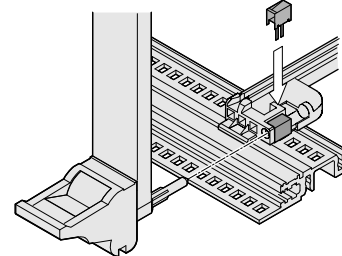
04505050

06103052

Guide rails on horizontal rail type H

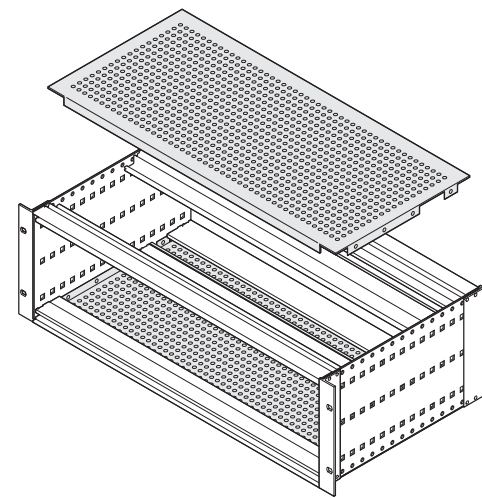


ESD clip for alignment pin



## Subracks - *europac PRO* for railway applications

### Cover plate for screw-fixing onto side panel



- Suitable for use with all horizontal rails
- Cover plate for mounting of 160 mm, 220 mm or 280 mm deep PCBs
- Lateral notch to mount the horizontal rails in depths of 160 mm or 220 mm
- Shielding by optional EMC stainless steel contact strips between cover plate and horizontal rail

#### Delivery comprises

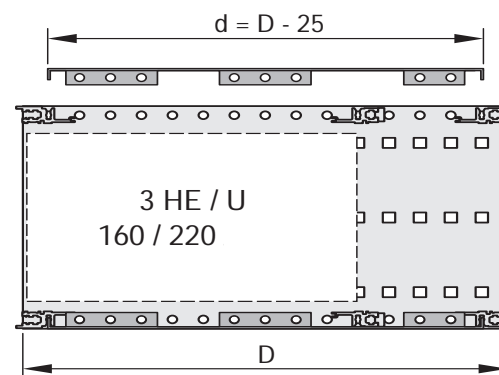
| Item | Qty   | Description                                                                                     |
|------|-------|-------------------------------------------------------------------------------------------------|
| 1    | 2     | Cover plate, Al, 1.0 mm, clear chromated, hole diameter 4.0 mm, (no perforation at 55 mm depth) |
| 2    | 16/32 | Torx M4 x 6 pentaform bolts, St, zinc-plated                                                    |

#### Order Information

| Width     | Depth D   | Application | Part no.  |
|-----------|-----------|-------------|-----------|
| <b>HP</b> | <b>mm</b> |             |           |
| 84        | 55        | –           | 21500-038 |
| 84        | 175       | 160         | 21500-048 |
| 84        | 235       | 160, 220    | 21500-037 |
| 36        | 55        | –           | 21500-123 |
| 36        | 175       | 160         | 21500-124 |
| 36        | 220       | 160, 220    | 21500-122 |

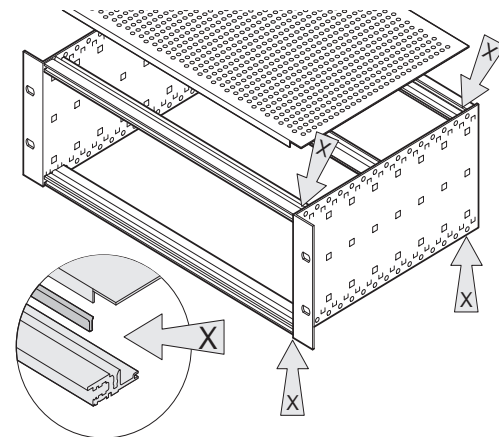
#### Note

- 4 stainless steel EMC gaskets are necessary per subrack, see page 6.82



Side view for 175 mm and 235 mm depths

### EMC gasket (stainless steel) between cover plate and horizontal rail




- Stainless steel gasket is clipped into horizontal rail and forms the contact cover plate
- Fits all horizontal rails

#### Order Information

| Width                                                                                         | Length    | Qty/PU        | Part no.  |
|-----------------------------------------------------------------------------------------------|-----------|---------------|-----------|
| <b>HP</b>                                                                                     | <b>mm</b> | <b>pieces</b> |           |
| 42                                                                                            | 182.4     | 10            | 24560-241 |
| 63                                                                                            | 284.0     | 10            | 24560-243 |
| 84                                                                                            | 395.7     | 10            | 24560-245 |
| 84                                                                                            | 395.7     | 100           | 24560-246 |
| <b>Assembly tool</b> For mounting of EMC sealing, St, stainless, in horizontal rails, 1 piece |           |               | 24560-271 |

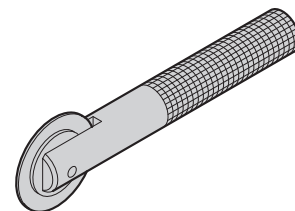
#### Note

- When a rear hood is used, the stainless steel EMC gasket ensures the conductive connection between horizontal rail and rear hood

 For further information [www.schroff.biz/oneclick](http://www.schroff.biz/oneclick)  
oneClick search code = Part no.

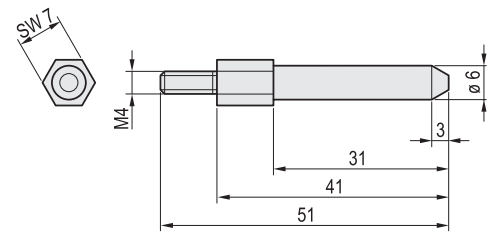
aza45938

Assembly tool



# Subracks - *europac PRO* for railway applications

## Coding peg for rear frame (NFF standard)



### Order Information

| Description                       | Qty/PU | Part no.  |
|-----------------------------------|--------|-----------|
| Coding peg, St, white zinc-plated | 1      | 60895-018 |



For further information [www.schroff.biz/oneclick](http://www.schroff.biz/oneclick)  
oneClick search code = Part no.

06104062

## Rear hood for 3 U and 6 U subracks (for stainless steel EMC gasket)

### Order Information

|                                                                                       | <p><b>Rear hood</b></p> <p>Al, 1 mm, clear passivated;<br/>60 mm additional side panel depth required<br/>(board depth + 60 mm);<br/>for shielding please order EMC gasket for<br/>horizontal rail separately;<br/>cannot be used simultaneously with<br/>rear corner profile</p>                                                                                                                                                                                         | <p><b>Stainless steel EMC gasket,<br/>between cover plate and<br/>horizontal rail</b></p> <p>stainless steel EMC gasket,<br/>clips into the horizontal rail and<br/>forms the contact with the cover plate;<br/>suitable for all horizontal rails</p> |                     |                |                     |   |    |           |           |   |    |           |           |   |    |           |           |   |    |           |           |  |
|---------------------------------------------------------------------------------------|---------------------------------------------------------------------------------------------------------------------------------------------------------------------------------------------------------------------------------------------------------------------------------------------------------------------------------------------------------------------------------------------------------------------------------------------------------------------------|-------------------------------------------------------------------------------------------------------------------------------------------------------------------------------------------------------------------------------------------------------|---------------------|----------------|---------------------|---|----|-----------|-----------|---|----|-----------|-----------|---|----|-----------|-----------|---|----|-----------|-----------|--|
|                                                                                       | <table border="1"> <thead> <tr> <th>Height<br/>U</th> <th>Width<br/>HP</th> <th><b>1 piece</b></th> <th><b>PU 10 pieces</b></th> </tr> </thead> <tbody> <tr> <td>3</td> <td>42</td> <td>34561-750</td> <td>24560-241</td> </tr> <tr> <td>3</td> <td>84</td> <td>34561-752</td> <td>24560-245</td> </tr> <tr> <td>6</td> <td>63</td> <td>34561-763</td> <td>24560-243</td> </tr> <tr> <td>6</td> <td>84</td> <td>34561-764</td> <td>24560-245</td> </tr> </tbody> </table> | Height<br>U                                                                                                                                                                                                                                           | Width<br>HP         | <b>1 piece</b> | <b>PU 10 pieces</b> | 3 | 42 | 34561-750 | 24560-241 | 3 | 84 | 34561-752 | 24560-245 | 6 | 63 | 34561-763 | 24560-243 | 6 | 84 | 34561-764 | 24560-245 |  |
| Height<br>U                                                                           | Width<br>HP                                                                                                                                                                                                                                                                                                                                                                                                                                                               | <b>1 piece</b>                                                                                                                                                                                                                                        | <b>PU 10 pieces</b> |                |                     |   |    |           |           |   |    |           |           |   |    |           |           |   |    |           |           |  |
| 3                                                                                     | 42                                                                                                                                                                                                                                                                                                                                                                                                                                                                        | 34561-750                                                                                                                                                                                                                                             | 24560-241           |                |                     |   |    |           |           |   |    |           |           |   |    |           |           |   |    |           |           |  |
| 3                                                                                     | 84                                                                                                                                                                                                                                                                                                                                                                                                                                                                        | 34561-752                                                                                                                                                                                                                                             | 24560-245           |                |                     |   |    |           |           |   |    |           |           |   |    |           |           |   |    |           |           |  |
| 6                                                                                     | 63                                                                                                                                                                                                                                                                                                                                                                                                                                                                        | 34561-763                                                                                                                                                                                                                                             | 24560-243           |                |                     |   |    |           |           |   |    |           |           |   |    |           |           |   |    |           |           |  |
| 6                                                                                     | 84                                                                                                                                                                                                                                                                                                                                                                                                                                                                        | 34561-764                                                                                                                                                                                                                                             | 24560-245           |                |                     |   |    |           |           |   |    |           |           |   |    |           |           |   |    |           |           |  |
| <p>Torx panhead screw, M4 x 6, St, zinc-plated, PU 100 pieces</p>                     | 24560-135                                                                                                                                                                                                                                                                                                                                                                                                                                                                 | –                                                                                                                                                                                                                                                     |                     |                |                     |   |    |           |           |   |    |           |           |   |    |           |           |   |    |           |           |  |
| <p>Assembly tool, For EMC gasket,<br/>stainless steel (horizontal rails), 1 piece</p> | –                                                                                                                                                                                                                                                                                                                                                                                                                                                                         |                                                                                                                                                                                                                                                       | 24560-271           |                |                     |   |    |           |           |   |    |           |           |   |    |           |           |   |    |           |           |  |

### Note

- Other dimensions of rear hood available on request

## Subracks – for railway applications ServicePLUS



### configuration

Simple. Fast. For the product you want.

**Components can be varied and combined freely**

- Configuration tables from page 6.17
- Online configuration: [www.schroff.co.uk/configuration](http://www.schroff.co.uk/configuration)



### assembly

Assembled by professionals. Double benefit!

**Fitting of all mechanical, electrical and electronic components by our specialists**

- Professional and reliable from quantity 1
- Ready for despatch within 5 working days



### modification

Small changes. Large impact.

**Custom drillings, cut-outs and special colours for off-the-shelf products**

- Custom modifications from quantity 1
- Ready for despatch within 10 working days



### solution

Simple. Fast. From one source.

**Integration and custom developments**

- Special sizes (depth and width)
- Individual heat dissipation concepts
- Ready for despatch within 10 working days



### express

When fast has to be faster.

**Delivery time to customer's request**

- Express logistics



### academy

Knowledge. Sharing. Partnerships.

**Knowledge transfer and partnership**

- Seminars, CAD drawings, test reports, user reports



Subracks – for railway applications ServicePLUS

Application examples



Application: Subrack receptacle/mounting frame **06108006**



Application: Automatic train control system **06108020**



Application: Signalling control systems **41108002**



Application: Mobile telephony system **41108001**



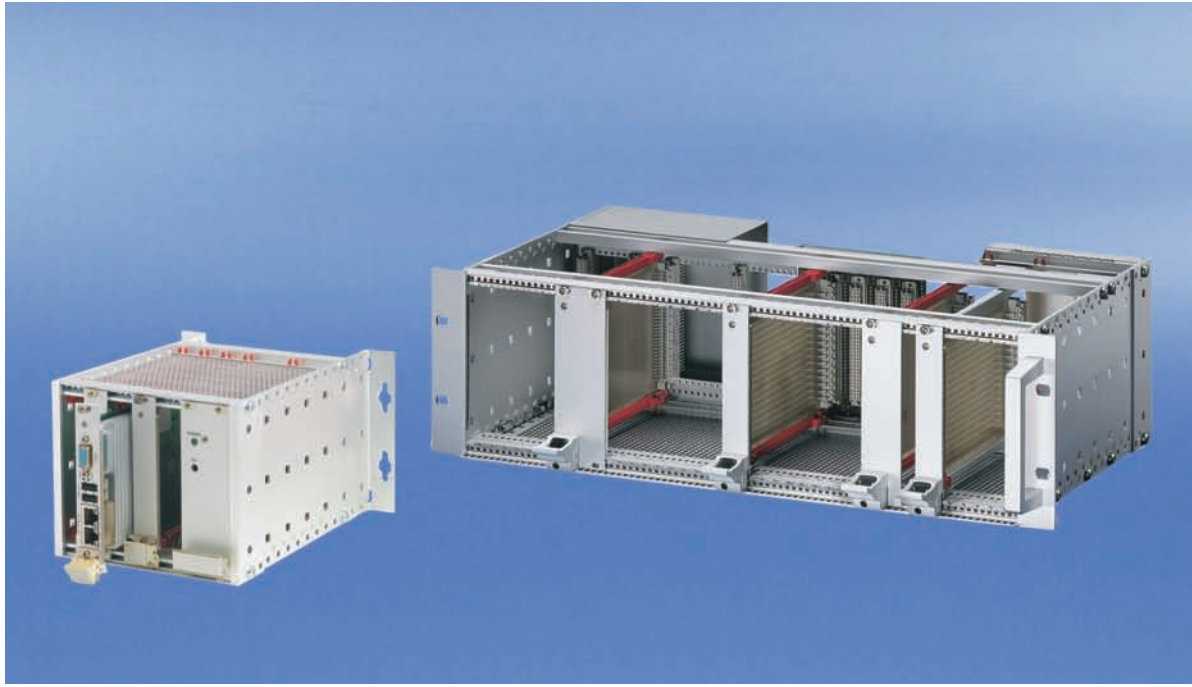
Application: Control system **Csee\_DSCN2296**



Application: Train control system **01004031**

- Overview ..... 0
- Cabinets ..... 1
- Wall mounted cases ..... 2
- Accessories for cabinets and wall mounted cases 3
- Climate control 4
- Desk-top cases 5
- Subracks/  
19" chassis ... 6**
- Front panels, plug-in units .. 7
- Systems ..... 8
- Power supply units ..... 9
- Backplanes .. 10
- Connectors, front panel component system ..... 11
- Appendix .... 12

**Subracks – for industrial applications**



06112008

**We package your euroboards - even for applications in harsh industrial environments**

- A wide range in different dimensions, with finishes for the most diverse applications
- In accordance with the IEC 60297-3-101 and IEEE 1101.1 standards
- Tested to IEC 61587, VG 95373 T15, EN 50155, BN 411002, NF F 67-012, NF F 60-002
- Delivered as a kit in space-saving package or individually assembled and fitted to your specifications

**Applications**



06112009

Subracks for mounting on mounting plate incl. connection field



06112010

Subracks with special adaptation

**Downloads and further important information can be found on the Internet under [www.schroff.biz](http://www.schroff.biz)**

## Subracks – for industrial applications

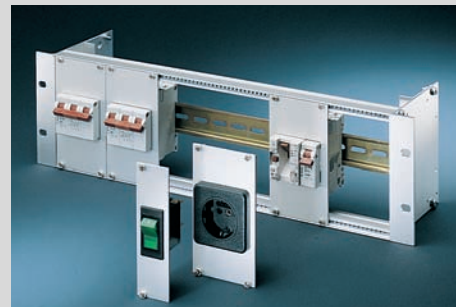
### Subrack for industrial applications

- Accommodates electronic boards in industrial applications
- Mounting frame for power distribution modules (connectors, RCD switches, ...)
- Bracket for panel mounting



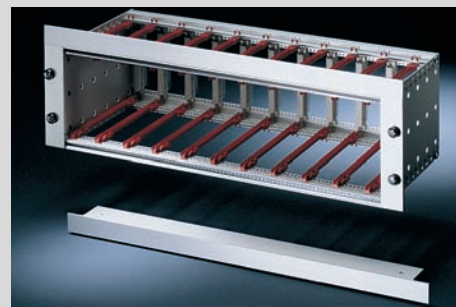
#### Subrack for mounting on a mounting plate

- Height 3 U, width 28 HP, depth 205 mm
- For mounting on mounting plate
- For direct mounting of backplanes or to fit DIN plugs, DIN 41612/EN 60603-2



#### Module support

- Height 3 U, width 84 HP, depth 115 mm
- Power distribution modules to mount on lipped horizontal rail in accordance with DIN 43880



#### Bracket for mounting subracks in a panel

- Bracket widths 42 and 84 HP

#### Accessories

- Accessories (e.g. lipped rail adaptor, horizontal rails)

#### ServicePLUS from page 6.16 / 6.84

- e.g. modification (cut-outs)
- e.g. downloads (CAD drawings, user manuals, test reports)
- e.g. custom solutions (special depths, electromagnetically shielded applications)

[www.schroff.biz/ServicePLUS](http://www.schroff.biz/ServicePLUS)



30407004

Overview .... 6.86

Introduction .. 6.4

Subrack for wall mounting . 6.88

Module support ..... 6.89

Bracket for panel mounting ..... 6.90

Accessories ... 6.91

ServicePLUS .. 6.16  
Application examples ..... 6.85

europacPRO 6.6  
Subracks for mobile railway applications .. 6.70  
europacPRO for rugged applications .. 6.92

6.87



# Subracks - *europacPRO* for industrial applications

europacPRO subrack,  
unshielded



- Subrack to mount on the wall or on mounting plate
- For mounting of euroboards to IEC 60297-3-101 in size 3 U, 160 mm deep
- Versions
  - For connector mounting (DIN 41612, EN 60602-3), with/without rear panel
  - For backplane mounting, with/without rear hood

**NEW**

### Delivery comprises

| Item | Qty | Description                                                     |
|------|-----|-----------------------------------------------------------------|
| 1    | 2   | Side panel, 3 U, Al, 2 mm with integrated wall-mounting bracket |
| 2a   | 2   | Front horizontal rail (L-KD)                                    |
| 2b   | 2   | Rear horizontal rail (L-RC) for backplane mounting              |
| 2c   | 2   | Rear horizontal rail (L-MZ) for connector mounting              |
| 3    | 2   | Rear angle                                                      |
| 4    | 2/4 | Threaded insert, St, zinc-plated                                |
| 5    | 2   | Cover plate, pushed in                                          |
| 6    | 1   | Rear hood, Al, 1 mm (only for version with rear hood)           |
| 7    | 1   | Fixing materials kit, user manual                               |

### Order Information

| Description                                     | Height<br>U | Width<br>HP | Depth<br>D<br>mm | Depth<br>D1<br>mm | Part no.  |
|-------------------------------------------------|-------------|-------------|------------------|-------------------|-----------|
| With rear panel, for connector mounting         | 3           | 28          | 205              | 175               | 24563-110 |
| Without rear panel, for connector mounting      | 3           | 28          | 205              | 175               | 24563-109 |
| With rear panel, for direct backplane fixing    | 3           | 28          | 205              | 175               | 24563-108 |
| Without rear panel, for direct backplane fixing | 3           | 28          | 205              | 175               | 24563-107 |

### Accessories

|                                                                                                   |                  |
|---------------------------------------------------------------------------------------------------|------------------|
| <b>Guide rails, accessories, 160 mm deep</b> PBT, UL 94 V-0, red, groove width 2 mm, PU 10 pieces | 24560-351        |
| <b>Front panels</b>                                                                               | <b>Page 7.5</b>  |
| <b>Front panel with handle</b>                                                                    | <b>Page 7.16</b> |

### Note

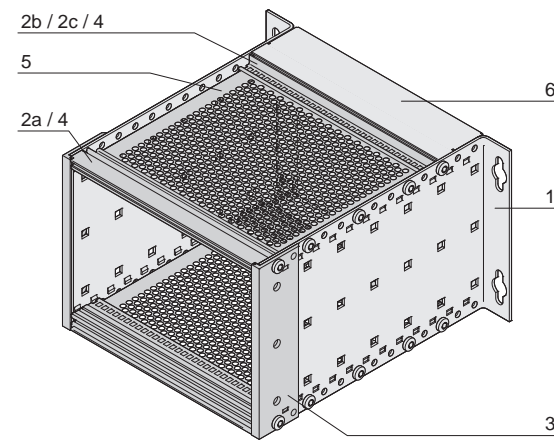
- EMC version on request



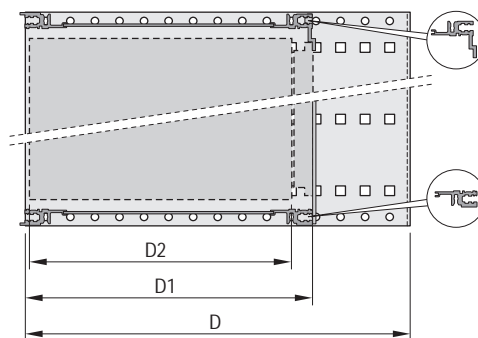
For further information [www.schroff.biz/oneclick](http://www.schroff.biz/oneclick)  
oneClick search code = Part no.

Illustration shows subrack without rear hood

06112001



06112050



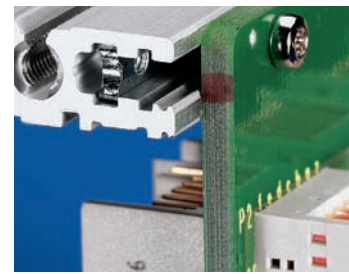
06112051

Connector/backplane mounting;  
D=overall depth, D1=insertion depth,  
D2=board depth = D1 - 15 mm



04400003

Horizontal rail to rear for connector mounting



04400002


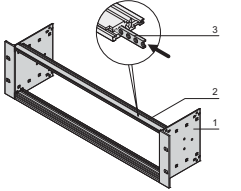
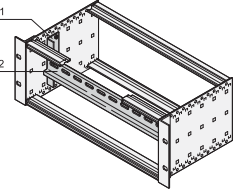
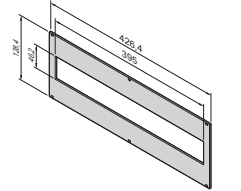
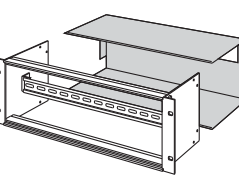
Horizontal rail to rear for direct backplane mounting



## Subracks - *europac PRO* for industrial applications

19" module support, support rail to DIN 43880, hood

### Order Information

|                                                                                                   |                                                                                                                                                                                                                                                                                                                                                                                                                                                                                                                                   |                                                                                                                                                                                                                                                                                                                                                                       |                                                                                                                                                                                                                                                                                                                                                                                                                                                              |                                                                                                                                                                                                                                                                    |
|---------------------------------------------------------------------------------------------------|-----------------------------------------------------------------------------------------------------------------------------------------------------------------------------------------------------------------------------------------------------------------------------------------------------------------------------------------------------------------------------------------------------------------------------------------------------------------------------------------------------------------------------------|-----------------------------------------------------------------------------------------------------------------------------------------------------------------------------------------------------------------------------------------------------------------------------------------------------------------------------------------------------------------------|--------------------------------------------------------------------------------------------------------------------------------------------------------------------------------------------------------------------------------------------------------------------------------------------------------------------------------------------------------------------------------------------------------------------------------------------------------------|--------------------------------------------------------------------------------------------------------------------------------------------------------------------------------------------------------------------------------------------------------------------|
|  <p>01494031</p> | <p><b>19" module support to accommodate power distribution modules</b></p>  <p>bls43467</p> <p>3 U, 84 HP, 115.5 mm deep;<br/>2 side panels Al, 2 mm;<br/>2 horizontal rails with short lip (L-KD), Al extrusion, surface anodised, contact surfaces conductive;<br/>2 threaded inserts, St, zinc-plated;<br/>GND/earthing kit;<br/>fixing material kit;</p> <p>Please order support rail separately</p> <p><b>PU 1 kit</b></p> <p>24563-100</p> | <p><b>Support rails to DIN 43880</b></p>  <p>06105080</p> <p>2 adaptor brackets, Al, 2 mm;<br/>support rail, St, zinc-plated, (35/7.5 mm);<br/>for width 84 HP (430.5 mm);</p> <p>Mounted in module support or subrack on the side panel</p> <p><b>PU 1 kit</b></p> <p>24565-100</p> | <p><b>Front panel for 19" module support</b></p>  <p>06111053</p> <p>3 U, 84 HP, Al, 2.5 mm, front anodised, rear iridescent green chromated;<br/>GND/earth connection 6.3 mm FASTON;<br/>(cut-out 395 mm x 46.2 mm);<br/>two blanking plates, plastic, polyester, colour similar to RAL 7035;<br/>to cover unused module slots</p> <p><b>1 piece</b></p> <p>24563-096</p> | <p><b>Hood</b></p>  <p>BLA43492</p> <p>Al, 1 mm, with brush strip; is bolted to the rear of the module support;<br/>GND/earthing kit</p> <p><b>1 piece</b></p> <p>24564-100</p> |
|                                                                                                   |                                                                                                                                                                                                                                                                                                                                                                                                                                                                                                                                   |                                                                                                                                                                                                                                                                                                                                                                       |                                                                                                                                                                                                                                                                                                                                                                                                                                                              |                                                                                                                                                                                                                                                                    |


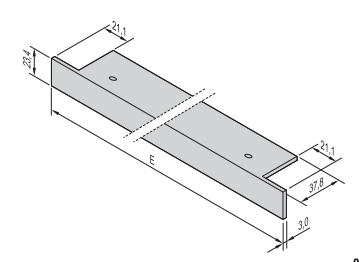
### Accessories

- Power distribution modules see page 3.34

## Subracks - *europac PRO* for industrial applications

### Bracket for panel mounting

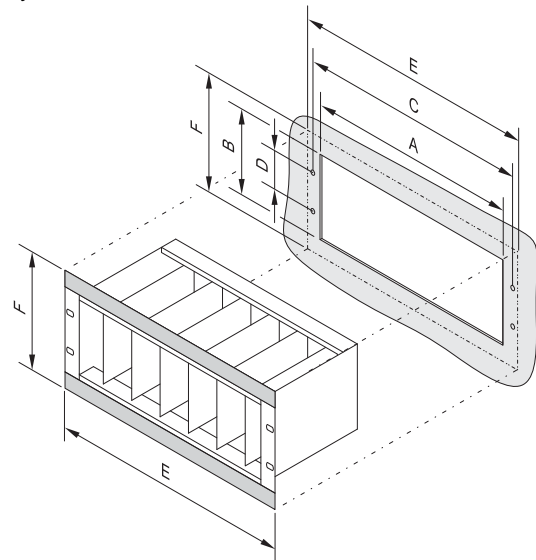
#### Order Information

|                                                                                  |              |                                                                                                                                                                                                                                                                |
|----------------------------------------------------------------------------------|--------------|----------------------------------------------------------------------------------------------------------------------------------------------------------------------------------------------------------------------------------------------------------------|
|  |              |                                                                                                                                                                               |
|                                                                                  |              | <p><b>Bracket (mounting angle)</b></p> <p>Al extrusion, anodised; serves as front visual cover of subrack at top and bottom when fitted into a panel; screwed in from the front with the horizontal rail; 2 brackets and 4 screws are required per subrack</p> |
| Usable width<br>HP                                                               | Length<br>mm | <b>1 piece</b>                                                                                                                                                                                                                                                 |
| 42                                                                               | 269.2        | 34561-777                                                                                                                                                                                                                                                      |
| 84                                                                               | 482.6        | 34561-779                                                                                                                                                                                                                                                      |
| Torx panhead screw<br>2.5 x 9.3, zinc-plated, PU 100 pieces                      |              | 24560-141                                                                                                                                                                                                                                                      |

#### Note

- Further widths available on request

#### Assembly cut-out



#### Dimensions table

| U | HP | A<br>mm | B<br>mm | C<br>mm | D<br>mm | E<br>mm | F<br>mm |
|---|----|---------|---------|---------|---------|---------|---------|
| 3 | 42 | 237.0   | 145.0   | 252.0   | 57.15   | 269.2   | 179.4   |
| 3 | 63 | 343.0   | 145.0   | 358.5   | 57.15   | 375.9   | 179.4   |
| 3 | 84 | 450.0   | 145.0   | 465.0   | 57.15   | 482.6   | 179.4   |
| 6 | 42 | 237.0   | 278.5   | 252.0   | 190.5   | 269.2   | 312.7   |
| 6 | 63 | 343.0   | 278.5   | 358.5   | 190.5   | 375.9   | 312.7   |
| 6 | 84 | 450.0   | 278.5   | 465.0   | 190.5   | 482.6   | 312.7   |

Subracks - **europac PRO** for industrial applications

Adaptor for horizontal rail mounting




- For mounting e.g. small subracks, small wall mounted cases, frame type plug-in units or PSUs on a horizontal rail with lip
- Adaptor is bolted to the desired product and can then be clipped to the lipped horizontal rail (DIN 43880)

Delivery comprises

| Item | Qty | Description                          |
|------|-----|--------------------------------------|
| 1    | 1   | Adaptor, Al extrusion, length 160 mm |
| 1    | 1   | Assembly kit                         |

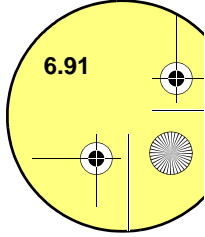
Order Information

| Description                          | Part no.  |
|--------------------------------------|-----------|
| Adaptor for horizontal rail mounting | 11000-002 |

 For further information [www.schroff.biz/oneclick](http://www.schroff.biz/oneclick)  
oneClick search code = Part no.

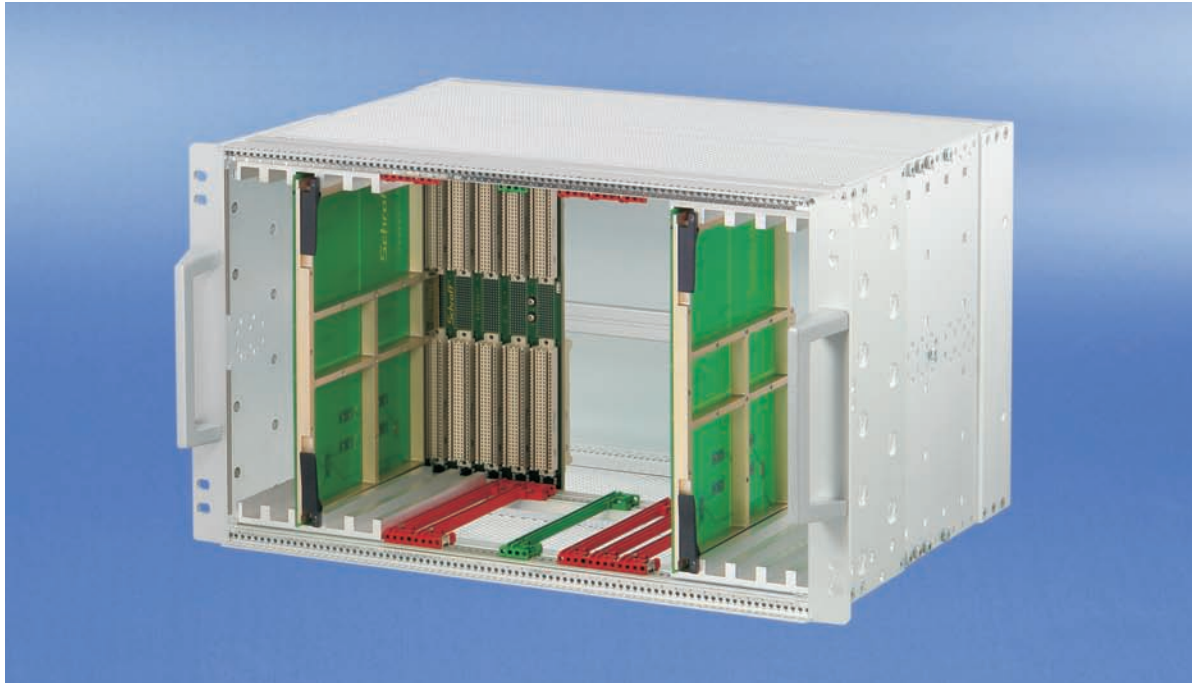


Example: Lipped horizontal rail adaptor for 19" PSU



- Overview ..... 0
- Cabinets ..... 1
- Wall mounted cases ..... 2
- Accessories for cabinets and wall mounted cases 3
- Climate control 4
- Desk-top cases 5
- Subracks/ 19" chassis ... 6**
- Front panels, plug-in units .. 7
- Systems ..... 8
- Power supply units ..... 9
- Backplanes .. 10
- Connectors, front panel component system ..... 11
- Appendix .... 12

**Subracks - *europac PRO* rugged**

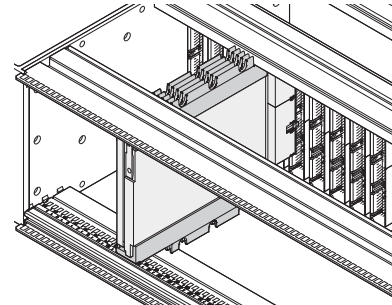


06112020



06112004

"rugged" horizontal rail with 3 hole fixing for increased stability (+60 % compared to 2 hole fixing of "heavy" horizontal rail)



06112052

Special adaptor rails allow conducted cooled assemblies to be fitted



Y-axis\_001a1

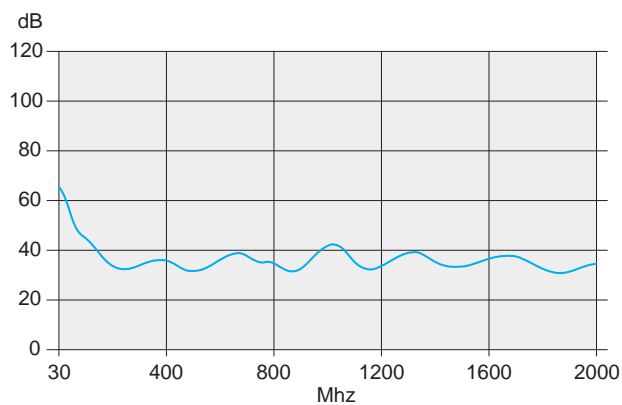
Shock and vibration resistant in all three axial directions

**Standards/Approvals**

- Internal and external dimensions in accordance with:  
IEC 60297-3-100, -101, -102, -103, -104, -105, IEEE 1101.1, IEEE 1101.10/11
- Type of protection IP 20, in accordance with IEC 60529
- EMC testing to IEC 61587-3
- Shock and vibration test report:  
MIL 167, IEC 61587 DL 3, MIL 810 G, MIL 901

**Note**

- Other finishes e.g. yellow chromated on request
- Subrack with telescopic slides can be adapted for cabinet mounting on request



EMC curve

06108081



Downloads and further important information can be found on the Internet under [www.schroff.biz](http://www.schroff.biz)



19" subracks

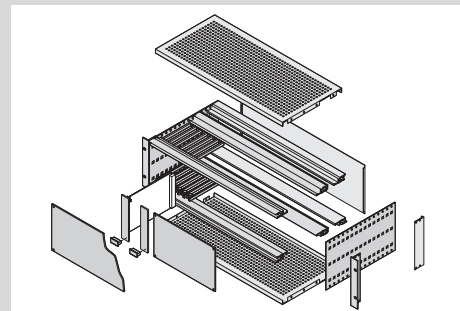
- Shock and vibration resistant up to 25 g
- Kits or individually configured subracks
- A product and accessory platform for the most different customers' requirements and applications
- Suitable for CompactPCI and VMEbus insertion and extractor handles
- EMC shielding can easily be retrofitted
- 3D PDF or CAD 3D data available for download



06112017

**Kits**

- All required parts are available under one part number, even partly assembled
- Most popular versions and dimensions available from stock
- For installed loads over 15 kg up to 60 kg
- Supplied as a space-saving flat pack



06105058

**ServicePLUS individual configuration**

- Single parts may individually be configured, respectively assembled on request (from quantity 1)
- Wide range of variants in height, width and depth
- Guide rails for different applications
- EMC shielding material to improve EMC performance
- Other accessories and assembly kits



30407004

**ServicePLUS from page 6.95**

- e.g. modification (cut-outs)
- e.g. downloads (CAD drawings, user manuals, test reports)
- e.g. custom solutions (special depths, electromagnetically shielded applications)

[www.schroff.biz/ServicePLUS](http://www.schroff.biz/ServicePLUS)

Overview ..... 6.92

Introduction ... 6.4

Kits ..... 6.94

Individual configuration .. 6.97

ServicePLUS ... 6.95

Application examples ..... 6.69

europacPRO ... 6.6

Subracks for mobile railway applications ... 6.70

europacPRO for industrial applications ... 6.86

## Subracks - *europac* **PRO** rugged

Kit, rugged, shielded,  
for backplane mounting



Illustration shows 3 U subrack

06112017

- Subrack with robust side panel and horizontal rail, type R "rugged"
- Rear horizontal rail for backplane mounting with insulation strip
- Shielding typically 40 dB at 1 GHz, 30 dB at 2 GHz (as per VG 95373, part 15), on condition that the front is closed with sealed front panels
- Shock and vibration resistant to 25 g

**NEW**

### Delivery comprises (Kit)

| Item | Qty | Description |                                                                                                                               |
|------|-----|-------------|-------------------------------------------------------------------------------------------------------------------------------|
| 3 U  |     | 6 U         |                                                                                                                               |
| 1    | 2   | 2           | Side panel type R, Al, 3 mm, clear passivated, with 19" support bracket 3.5 mm (tox-cold welded); for EMC gasketing (textile) |
| 2    | 2   | 2           | Front handle incl. fixing material kit                                                                                        |
| 3    | 2   | 2           | Rear corner profile for EMC gasketing (textile)                                                                               |
| 4    | 1   | -           | Front horizontal rail (R-KD)                                                                                                  |
| 4a   | 1   | 2           | Front horizontal rail (R-LD)                                                                                                  |
| 4b   | 2   | 2           | Rear horizontal rail (H-KD)                                                                                                   |
| 4c   | 2   | 2           | Rear horizontal rail, centre (R-ST)                                                                                           |
| 4d   | -   | 1           | Rear horizontal rail, centre (ST)                                                                                             |
| 5    | 6   | 8           | Threaded insert (pre-fitted)                                                                                                  |
| 6    | 2   | 2           | Perforated strip (pre-fitted)                                                                                                 |
| 7    | 2   | 4           | Insulation strip (pre-fitted)                                                                                                 |
| 8    | 2   | 2           | EMC cover plate, rugged, with top cover locking                                                                               |
| 9    | 1   | 1           | EMC rear panel                                                                                                                |
| 10   | 1   | 1           | EMC gasketing material, fixing material kit, user manual                                                                      |

### Order Information

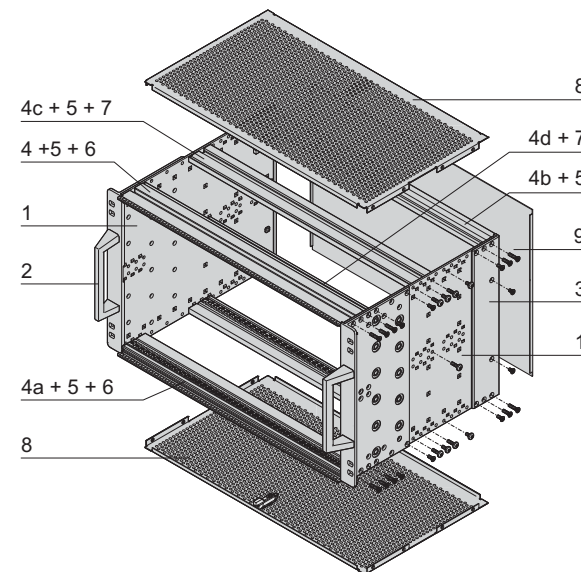
| Height | Width | Depth D | Depth D1 | Part no.  |
|--------|-------|---------|----------|-----------|
| U      | HP    | mm      | mm       |           |
| 3      | 84    | 295     | 175      | 24567-149 |
| 6      | 84    | 295     | 175      | 24567-449 |

### Accessories

|                                                                                                                                                     |           |
|-----------------------------------------------------------------------------------------------------------------------------------------------------|-----------|
| <b>Guide rails, accessories, 160 mm deep</b>                                                                                                        |           |
| PBT, UL 94 V-0, red, groove width 2 mm, PU 10 pieces                                                                                                | 24560-351 |
| Torx panhead screw 2.5 x 9.3, zinc-plated, PU 100 pieces; torque max. 0.2 Nm                                                                        | 24560-141 |
| <b>ESD clip for guide rails</b> PU 50 pieces                                                                                                        | 24560-255 |
| <b>Guide rail accessories for heavy PCBs, extra strong</b>                                                                                          |           |
| Al extrusion, groove width 2 mm, 160 mm deep, 1 piece (SPQ 10)                                                                                      | 34562-881 |
| <b>Torx pan head screw</b> 2.5 x 7.3, zinc flake coating, black, 100 pieces; torque max. 0.2 Nm                                                     | 24560-157 |
| <b>Adaptor to accommodate conduction cooled assemblies (CCA) for VPX applications</b> , 160 mm deep, PU 1 pair; includes fixing material kit        | 24566-004 |
| <b>Adaptor to accommodate conduction cooled assemblies (CCA) for CompactPCI applications</b> , 160 mm deep, PU 1 pair; includes fixing material kit | 24566-005 |
| <b>19" dual fixing materials kit</b> suitable for a subrack with double fixing holes (bolts, washers and nuts), PU 1 kit                            | 24566-109 |

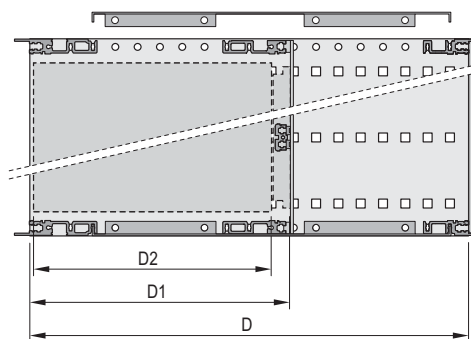
### Note

- Test reports online
- For further accessories see from page 6.17



6 U

06112055



D = overall depth, D1 = insertion depth,  
D2 = board depth = D1 - 15 mm

06112054



Rear horizontal rail for backplane mounting with insulation strip

## Subracks - *europac PRO* rugged ServicePLUS



### configuration

Simple. Fast. To the ideal product.

Components can be varied and combined freely

- Configuration tables from page 6.96
- Online configuration: [www.schroff.co.uk/configuration](http://www.schroff.co.uk/configuration)



### assembly

Assembled by professionals. Double benefit!

Fitting of all mechanical, electrical and electronic components by our specialists

- Professional and reliable from quantity 1
- Ready for despatch within 5 working days



### modification

Small changes. Large impact.

Custom drillings, cut-outs and special colours for off-the-shelf products

- Custom modifications from quantity 1
- Ready for despatch within 10 working days



### solution

Simple. Fast. From one source.

Integration and custom developments

- Special sizes (depth and width)
- Individual heat dissipation concepts
- Ready for dispatch within 10 working days



### express

When fast has to be faster.

Delivery time to customer's request

- Express logistics

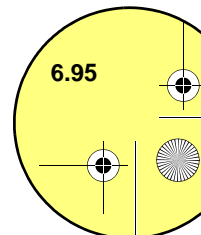


### academy

Knowledge. Sharing. Partnerships.

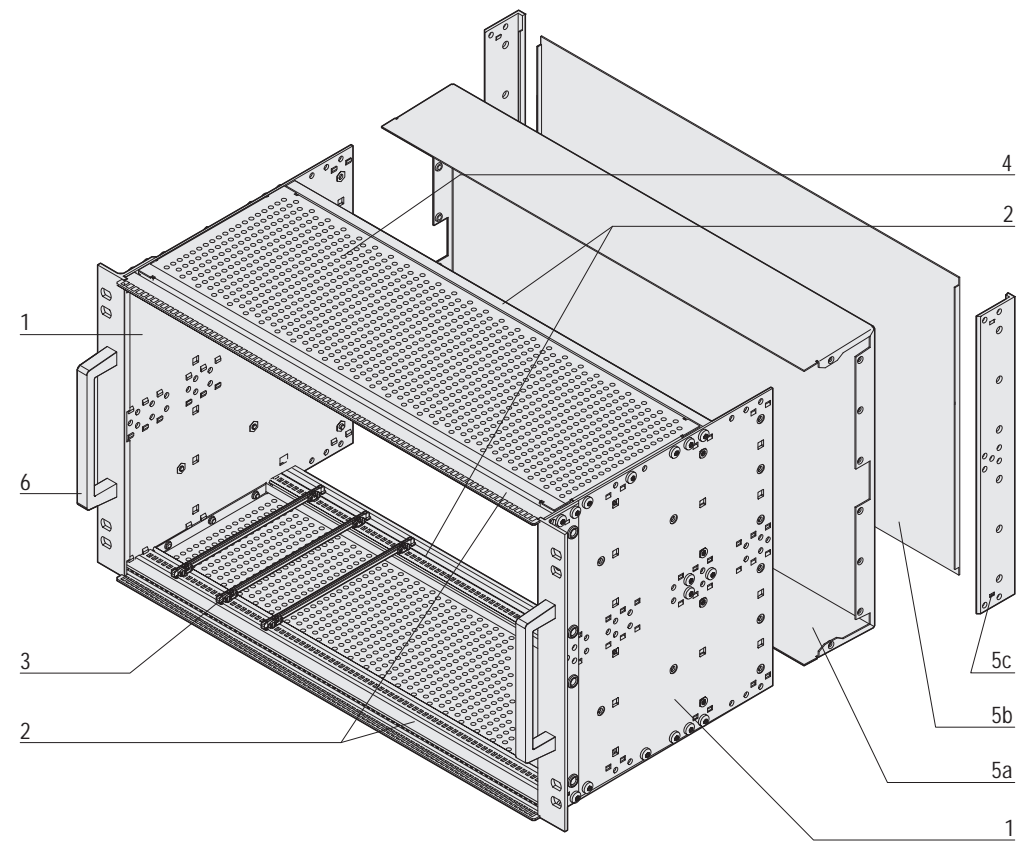
Knowledge transfer and partnership

- Seminars, CAD drawings, test reports, user reports



# Subracks - *europac PRO* rugged ServicePLUS

Overview of individual components for shielded or unshielded subracks



06108086

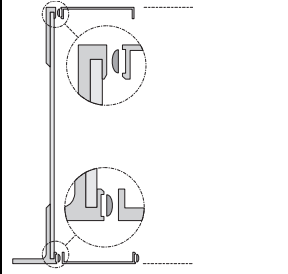
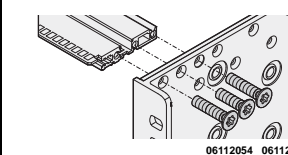
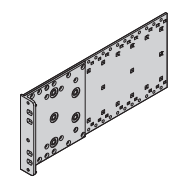
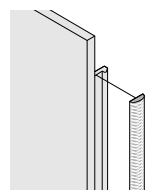
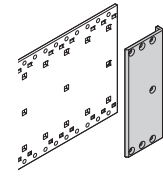
| Item   | Description                              | Description                                                                                                                                                                                                                                                                  | page          |
|--------|------------------------------------------|------------------------------------------------------------------------------------------------------------------------------------------------------------------------------------------------------------------------------------------------------------------------------|---------------|
| Item 1 | Side panels                              | Establish the height and depth of the subrack;<br>Al, 3 mm, with universal hole positions for mounting of accessories                                                                                                                                                        | 6.97          |
| Item 2 | Horizontal rails                         | Establish the width of the subrack;<br>Al extrusion, with defined hole positions for guide rails, grooves for threaded inserts, M4 thread at front, functional rail shapes, basically differing with regard to their mechanical loading capacity: rugged loading up to 15 kg | 6.98          |
| Item 3 | Guide rails                              | Guide rails act as interface between subracks and boards, for different board formats, are available in plastic or metal, optionally codable and optionally can be fitted with ESD clip to allow electrostatic discharge                                                     | 6.105         |
| Item 4 | Cover plates                             | Provide mechanical protection and/or EMC shielding and are perforated                                                                                                                                                                                                        | 6.108         |
| Item 5 | Rear/front                               | Rear hood (5a) or front panel (5b) with corner profile (5c) as support for EMC shielding gaskets used in conjunction with shielded front panels;<br>Note: rear hood and corner profile cannot be fitted simultaneously                                                       | 6.47          |
| Item 6 | Handles                                  | Handles can be mounted on the 19" brackets                                                                                                                                                                                                                                   | 6.97          |
| -      | EMC shielding (without illustration)     | Extensive component range for specific shielding of subrack according to your application                                                                                                                                                                                    | 6.110         |
| -      | Internal mounting (without illustration) | Universal assemblies, e.g. for horizontal and vertical mounting and for mounting plates                                                                                                                                                                                      | 6.109<br>6.58 |



# Subracks - *europac PRO* rugged ServicePLUS

Side panel type R, EMC sealing, corner profile, front handle

## Order Information

|                                                                                   |          | Side panel type R for textile gasket                                                                                                                                                                                                                        | EMC textile gasket                                                                                                                                                                                                  | Corner profile, rugged                                                                                                                                                                                                                      | Front handle                                                                                                                                                                                       |
|-----------------------------------------------------------------------------------|----------|-------------------------------------------------------------------------------------------------------------------------------------------------------------------------------------------------------------------------------------------------------------|---------------------------------------------------------------------------------------------------------------------------------------------------------------------------------------------------------------------|---------------------------------------------------------------------------------------------------------------------------------------------------------------------------------------------------------------------------------------------|----------------------------------------------------------------------------------------------------------------------------------------------------------------------------------------------------|
|  |          | <br>06112059<br>Side panel, Al 3 mm, tox-cold welded with 19" Al bracket, 3.5 mm with handle hole, clear passivated, front anodised; please order front handles separately | <br>04602054<br>Textile gasket, core: foam, sleeve: textile cladding with CuNi coating, UL 94 V-0, temperature range -40 ... 70 °C | <br>06112058<br>Al extrusion, 3 mm, finish clear passivated; with lateral grooves for EMC stainless steel gasket; rear hood cannot be used simultaneously | <br>06112057<br>Die-cast Al profile, powder-coated, RAL 9006; load-carrying capacity 30 kg, fixing material kit |
| Height U                                                                          | Depth mm | PU 1 pair                                                                                                                                                                                                                                                   | PU 10 pieces                                                                                                                                                                                                        | PU 1 pair                                                                                                                                                                                                                                   | PU 1 kit                                                                                                                                                                                           |
| 3                                                                                 | 175      | 24568-145                                                                                                                                                                                                                                                   | 21101-853                                                                                                                                                                                                           | 24566-199                                                                                                                                                                                                                                   | 24566-010                                                                                                                                                                                          |
| 3                                                                                 | 235      | 24568-147                                                                                                                                                                                                                                                   |                                                                                                                                                                                                                     |                                                                                                                                                                                                                                             |                                                                                                                                                                                                    |
| 3                                                                                 | 275      | 24568-143                                                                                                                                                                                                                                                   |                                                                                                                                                                                                                     |                                                                                                                                                                                                                                             |                                                                                                                                                                                                    |
| 3                                                                                 | 277.75   | 24568-144                                                                                                                                                                                                                                                   |                                                                                                                                                                                                                     |                                                                                                                                                                                                                                             |                                                                                                                                                                                                    |
| 3                                                                                 | 295      | 24568-149                                                                                                                                                                                                                                                   |                                                                                                                                                                                                                     |                                                                                                                                                                                                                                             |                                                                                                                                                                                                    |
| 3                                                                                 | 355      | 24568-151                                                                                                                                                                                                                                                   | 21101-855                                                                                                                                                                                                           | 24566-499                                                                                                                                                                                                                                   | 24566-010                                                                                                                                                                                          |
| 6                                                                                 | 175      | 24568-445                                                                                                                                                                                                                                                   |                                                                                                                                                                                                                     |                                                                                                                                                                                                                                             |                                                                                                                                                                                                    |
| 6                                                                                 | 235      | 24568-447                                                                                                                                                                                                                                                   |                                                                                                                                                                                                                     |                                                                                                                                                                                                                                             |                                                                                                                                                                                                    |
| 6                                                                                 | 275      | 24568-443                                                                                                                                                                                                                                                   |                                                                                                                                                                                                                     |                                                                                                                                                                                                                                             |                                                                                                                                                                                                    |
| 6                                                                                 | 277.75   | 24568-444                                                                                                                                                                                                                                                   |                                                                                                                                                                                                                     |                                                                                                                                                                                                                                             |                                                                                                                                                                                                    |
| 6                                                                                 | 295      | 24568-449                                                                                                                                                                                                                                                   |                                                                                                                                                                                                                     |                                                                                                                                                                                                                                             |                                                                                                                                                                                                    |
| 6                                                                                 | 355      | 24568-451                                                                                                                                                                                                                                                   |                                                                                                                                                                                                                     |                                                                                                                                                                                                                                             |                                                                                                                                                                                                    |

Fixing material kits see page 6.103

### Side panel, type R

- For high mechanical demands up to 25 g (vibration resistance, shock and vibration requirements to e.g. IEC 61587-DL 3)
- 19" bracket is fixed firmly to side panel (tox-cold welded)
- Height 3 U and 6 U
- Depths 175, 235, 275, 277.75, 295 and 355 mm
- EMC shielding concept for front/rear with EMC textile gasket
- Other dimensions on request

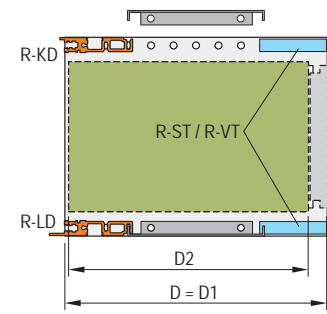


For further information [www.schroff.biz/oneclick](http://www.schroff.biz/oneclick)  
 oneClick search code = Part no.

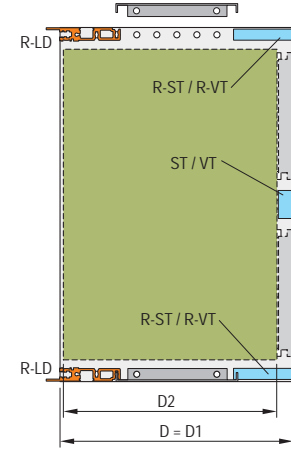
# Subracks - *europac PRO* rugged ServicePLUS

## Mounting position of horizontal rail/central rails

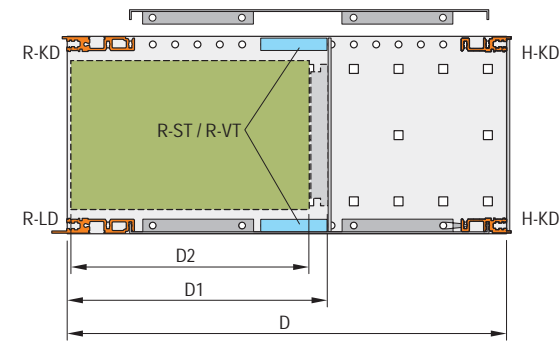
3 U (board depth 160, 220, 280 mm)



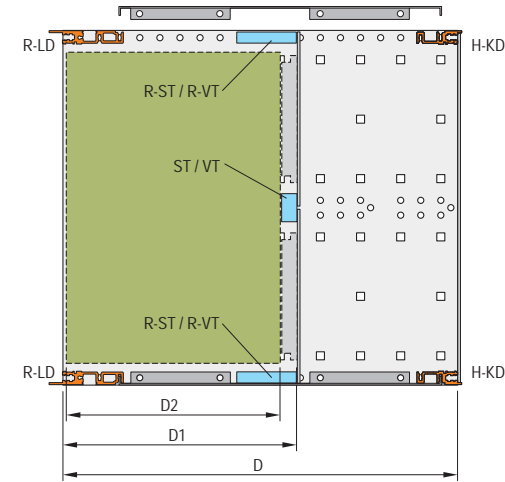
6 U (board depth 160, 220, 280 mm)



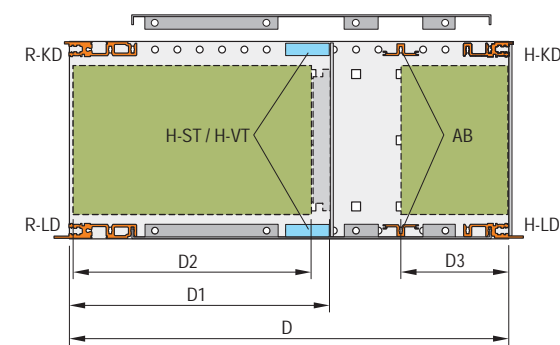
3 U (board depth 160, 220, 280 mm)



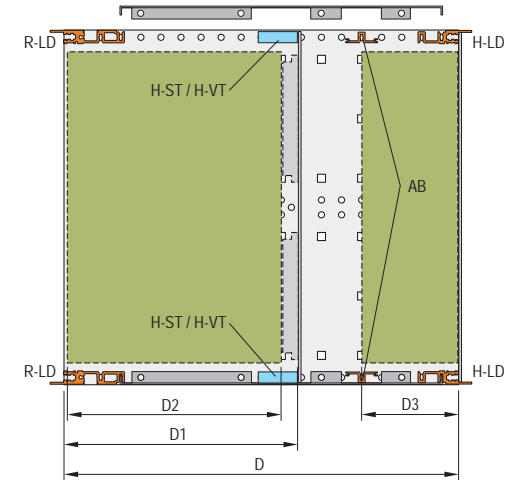
6 U (board depth 160, 220, 280 mm)



3 U (for CompactPCI/VME64x applications)



6 U (for CompactPCI/VME64x applications)



### Horizontal rails

R-ST

R-VT

H-ST

H-VT

ST

VT



06112070

06112071

06112072

06112073

06112074

06112075

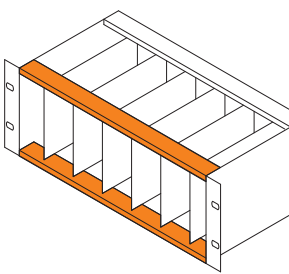




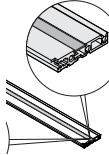
6.98 Main Catalogue  
E 10/2012

Part number in bold face type: ready for despatch within 2 working days  
Part number in normal type: ready for despatch within 10 working days

## Subracks - *europac PRO* rugged ServicePLUS

### Front horizontal rails

#### Order Information

| <br><small>bza44980</small>                                                                                                             |               | With long lip for insertion/<br>extraction of CompactPCI<br>and VME64x boards<br><br>"rugged"<br>Type R-LD<br>long lip<br><br><br><small>06112004</small> | With long lip for insertion/<br>extraction of CompactPCI<br>and VME64x boards<br><br>"heavy"<br>Type H-LD<br>long lip<br><br><br><small>06197008</small> | With short lip<br><br>"rugged"<br>Type R-KD<br>short lip<br><br><br><small>06112013</small> | With short lip<br><br>"heavy"<br>Type H-KD<br>short lip<br><br><br><small>06197008</small> |
|--------------------------------------------------------------------------------------------------------------------------------------------------------------------------------------------------------------------------|---------------|--------------------------------------------------------------------------------------------------------------------------------------------------------------------------------------------------------------------------------------------|-------------------------------------------------------------------------------------------------------------------------------------------------------------------------------------------------------------------------------------------|-------------------------------------------------------------------------------------------------------------------------------------------------------------------------------|-------------------------------------------------------------------------------------------------------------------------------------------------------------------------------|
| With HP markings from 28 HP,<br>Al extrusion, anodised finish,<br>conductive contact surface                                                                                                                             |               | Al extrusion, anodised finish,<br>conductive contact surface,<br>with HP markings                                                                                                                                                          | Al extrusion, anodised finish,<br>conductive contact surface,<br>with HP markings                                                                                                                                                         | Al extrusion, anodised finish,<br>conductive contact surface,<br>with HP markings                                                                                             | Al extrusion, anodised finish,<br>conductive contact surface,<br>with HP markings                                                                                             |
| <b>Usable length</b>                                                                                                                                                                                                     | <b>Length</b> | <b>1 piece (SPQ 10)<sup>1)</sup></b>                                                                                                                                                                                                       | <b>1 piece (SPQ 10)<sup>1)</sup></b>                                                                                                                                                                                                      | <b>1 piece (SPQ 10)<sup>1)</sup></b>                                                                                                                                          | <b>1 piece (SPQ 10)<sup>1)</sup></b>                                                                                                                                          |
| <b>HP</b>                                                                                                                                                                                                                | <b>mm</b>     |                                                                                                                                                                                                                                            |                                                                                                                                                                                                                                           |                                                                                                                                                                               |                                                                                                                                                                               |
| 20                                                                                                                                                                                                                       | 106.68        | 34566-320                                                                                                                                                                                                                                  | 34560-320                                                                                                                                                                                                                                 | 34566-220                                                                                                                                                                     | 34560-220                                                                                                                                                                     |
| 28                                                                                                                                                                                                                       | 147.32        | 34566-328                                                                                                                                                                                                                                  | 34560-328                                                                                                                                                                                                                                 | 34566-228                                                                                                                                                                     | 34560-228                                                                                                                                                                     |
| 40                                                                                                                                                                                                                       | 208.28        | 34566-340                                                                                                                                                                                                                                  | 34560-340                                                                                                                                                                                                                                 | 34566-240                                                                                                                                                                     | 34560-240                                                                                                                                                                     |
| 42                                                                                                                                                                                                                       | 218.44        | 34566-342                                                                                                                                                                                                                                  | 34560-342                                                                                                                                                                                                                                 | 34566-242                                                                                                                                                                     | 34560-242                                                                                                                                                                     |
| 63                                                                                                                                                                                                                       | 325.12        | 34566-363                                                                                                                                                                                                                                  | 34560-363                                                                                                                                                                                                                                 | 34566-263                                                                                                                                                                     | 34560-263                                                                                                                                                                     |
| 84                                                                                                                                                                                                                       | 431.80        | 34566-384                                                                                                                                                                                                                                  | 34560-384                                                                                                                                                                                                                                 | 34566-284                                                                                                                                                                     | 34560-284                                                                                                                                                                     |
| –                                                                                                                                                                                                                        | 1000          | 34566-301                                                                                                                                                                                                                                  | 34560-301                                                                                                                                                                                                                                 | 34566-201                                                                                                                                                                     | 34560-201                                                                                                                                                                     |
| Cover strips to<br>cover the<br>horizontal rail<br>perforations<br>Al, untreated,<br>0.8 mm, length<br>431.5 mm, 1 piece<br>(SPQ 10)  |               | 34566-184                                                                                                                                                                                                                                  | –                                                                                                                                                                                                                                         | 34566-184                                                                                                                                                                     | –                                                                                                                                                                             |
| Threaded inserts see page                                                                                                                                                                                                |               | 6.104                                                                                                                                                                                                                                      | 6.104                                                                                                                                                                                                                                     | 6.104                                                                                                                                                                         | 6.104                                                                                                                                                                         |
| Fixing material kits see page                                                                                                                                                                                            |               | 6.103                                                                                                                                                                                                                                      | 6.103                                                                                                                                                                                                                                     | 6.103                                                                                                                                                                         | 6.103                                                                                                                                                                         |

1) SPQ (standard pack quantity): Part number includes 1 piece, but delivery is exclusively made in standard pack quantity (SPQ); please order at least the SPQ quantity or a multiple  
 "heavy" load > 7.5 kg; "rugged" load > 15 kg;

#### Note

- 1000 mm version without M4 thread to front, without printing and without notch for 19"-bracket
- EMC gasket see page 6.54
- For further horizontal rails see page 6.27

Rear horizontal rails

Order Information

| Usable length<br>HP           |        | Length<br>mm | For indirect backplane fixing<br>with insulation strip                                  |                                                                                         | For direct backplane fixing                                                             |                                                                                         | For direct fixing of connectors<br>in accordance with<br>EN 60603-2 (DIN 41612)   |
|-------------------------------|--------|--------------|-----------------------------------------------------------------------------------------|-----------------------------------------------------------------------------------------|-----------------------------------------------------------------------------------------|-----------------------------------------------------------------------------------------|-----------------------------------------------------------------------------------|
|                               |        |              | "rugged"<br>Type R-ST<br>Standard                                                       | "heavy"<br>Type H-ST<br>standard                                                        | "rugged"<br>Type R-VT<br>recessed<br>installation                                       | "heavy"<br>Type H-VT<br>recessed<br>installation                                        | "heavy"<br>Type H-MZ<br>with Z-rail                                               |
|                               |        |              | Al extrusion,<br>anodised finish,<br>conductive<br>contact surface,<br>with HP markings | Al extrusion,<br>anodised finish,<br>conductive<br>contact surface,<br>with HP markings | Al extrusion,<br>anodised finish,<br>conductive<br>contact surface,<br>with HP markings | Al extrusion,<br>anodised finish,<br>conductive<br>contact surface,<br>with HP markings | Al extrusion, anodised finish,<br>conductive contact surface,<br>with HP markings |
|                               |        |              | 1 piece (SPQ<br>10) <sup>1)</sup>                                                       | 1 piece (SPQ<br>10) <sup>1)</sup>                                                       | 1 piece (SPQ<br>10) <sup>1)</sup>                                                       | 1 piece (SPQ<br>10) <sup>1)</sup>                                                       | 1 piece (SPQ 10) <sup>1)</sup>                                                    |
| 20                            | 106.68 |              | 34566-520                                                                               | 34560-520                                                                               | 34566-720                                                                               | 34560-720                                                                               | 34560-920                                                                         |
| 28                            | 147.32 |              | 34566-528                                                                               | 34560-528                                                                               | 34566-728                                                                               | 34560-728                                                                               | 34560-928                                                                         |
| 40                            | 208.28 |              | 34566-540                                                                               | 34560-540                                                                               | 34566-740                                                                               | 34560-740                                                                               | 34560-940                                                                         |
| 42                            | 218.44 |              | 34566-542                                                                               | 34560-542                                                                               | 34566-742                                                                               | 34560-742                                                                               | 34560-942                                                                         |
| 63                            | 325.12 |              | 34566-563                                                                               | 34560-563                                                                               | 34566-763                                                                               | 34560-763                                                                               | 34560-963                                                                         |
| 84                            | 431.80 |              | 34566-584                                                                               | 34560-584                                                                               | 34566-784                                                                               | 34560-784                                                                               | 34560-984                                                                         |
| —                             | 1000   |              | 34566-501                                                                               | 34560-501                                                                               | 34566-701                                                                               | 34560-701                                                                               | —                                                                                 |
| Insulation strips see page    |        |              | 6.104                                                                                   | 6.104                                                                                   | —                                                                                       | —                                                                                       | —                                                                                 |
| Threaded inserts see page     |        |              | 6.104                                                                                   | 6.104                                                                                   | 6.104                                                                                   | 6.104                                                                                   | 6.104                                                                             |
| Fixing material kits see page |        |              | 6.103                                                                                   | 6.103                                                                                   | 6.103                                                                                   | 6.103                                                                                   | 6.103                                                                             |

1) SPQ (standard pack quantity): Part number includes 1 piece, but delivery is exclusively made in standard pack quantity (SPQ); please order at least the SPQ quantity or a multiple  
"heavy" load > 7.5 kg; "rugged" load > 15 kg;

**Note**




- 1000 mm version without M4 thread to front, without printing and without notch for 19"-bracket
- EMC gasket see page 6.54
- For further horizontal rails see page 6.27



# Subracks - *europac PRO* rugged ServicePLUS

Rear horizontal rails, centre, for 6 U

## Order Information

| Usable length<br>HP           |        | Length<br>mm | For indirect backplane fixing<br>with insulation strip                                                                                                                            | For direct backplane fixing                                                                                                                                                       | For direct fixing of connectors<br>in accordance with<br>EN 60603-2 (DIN 41612)                                                                                                     |
|-------------------------------|--------|--------------|-----------------------------------------------------------------------------------------------------------------------------------------------------------------------------------|-----------------------------------------------------------------------------------------------------------------------------------------------------------------------------------|-------------------------------------------------------------------------------------------------------------------------------------------------------------------------------------|
|                               |        |              | Type ST<br><br>Al extrusion, finish anodised,<br>conductive contact surface;<br>without markings | Type VT<br><br>Al extrusion, finish anodised,<br>conductive contact surface;<br>without markings | Type MZ<br><br>Al extrusion, finish anodised,<br>conductive contact surface;<br>without markings |
|                               |        |              | 1 piece (SPQ 10) <sup>1)</sup>                                                                                                                                                    | 1 piece (SPQ 10) <sup>1)</sup>                                                                                                                                                    | 1 piece (SPQ 10) <sup>1)</sup>                                                                                                                                                      |
| 20                            | 106.68 |              | 34561-020                                                                                                                                                                         | 34561-120                                                                                                                                                                         | 34561-220                                                                                                                                                                           |
| 28                            | 147.32 |              | 34561-028                                                                                                                                                                         | 34561-128                                                                                                                                                                         | 34561-228                                                                                                                                                                           |
| 40                            | 208.28 |              | 34561-040                                                                                                                                                                         | 34561-140                                                                                                                                                                         | 34561-240                                                                                                                                                                           |
| 42                            | 218.44 |              | 34561-042                                                                                                                                                                         | 34561-142                                                                                                                                                                         | 34561-242                                                                                                                                                                           |
| 63                            | 325.12 |              | 34561-063                                                                                                                                                                         | 34561-163                                                                                                                                                                         | 34561-263                                                                                                                                                                           |
| 84                            | 431.80 |              | 34561-084                                                                                                                                                                         | 34561-184                                                                                                                                                                         | 34561-284                                                                                                                                                                           |
| -                             | 1000   |              | 34561-001                                                                                                                                                                         | 34561-101                                                                                                                                                                         | 34561-201                                                                                                                                                                           |
| Insulation strips see page    |        |              | 6.104                                                                                                                                                                             | -                                                                                                                                                                                 | -                                                                                                                                                                                   |
| Threaded inserts see page     |        |              | 6.104                                                                                                                                                                             | 6.104                                                                                                                                                                             | 6.104                                                                                                                                                                               |
| Fixing material kits see page |        |              | 6.103                                                                                                                                                                             | 6.103                                                                                                                                                                             | 6.103                                                                                                                                                                               |

1) SPQ (standard pack quantity): Part number includes 1 piece, but delivery is exclusively made in standard pack quantity (SPQ); please order at least the SPQ quantity or a multiple  
"heavy" load > 7.5 kg; "rugged" load > 15 kg;

### Note

- All horizontal rails without printed markings
- 1000 mm version without M4 thread to front

## Subracks - *europac PRO* rugged ServicePLUS

Horizontal rails (type AB) for rear I/O applications

### Order Information

|                               |               |                                                                                                                                                                                                                                                                             |
|-------------------------------|---------------|-----------------------------------------------------------------------------------------------------------------------------------------------------------------------------------------------------------------------------------------------------------------------------|
|                               |               | <p><b>For CompactPCI in rear I/O area</b></p> <p><b>Type AB</b></p> <p>Al extrusion, finish anodised, conductive contact surface;<br/>horizontal rail type AB (AB = support) is required to fix<br/>the guide rails for the 80 mm rear I/O boards;<br/>without markings</p> |
| <b>Usable length</b>          | <b>Length</b> | <b>1 piece (SPQ 10)<sup>1)</sup></b>                                                                                                                                                                                                                                        |
| <b>HP</b>                     | <b>mm</b>     |                                                                                                                                                                                                                                                                             |
| 20                            | 106.68        | 34561-520                                                                                                                                                                                                                                                                   |
| 28                            | 147.32        | 34561-528                                                                                                                                                                                                                                                                   |
| 40                            | 208.28        | 34561-540                                                                                                                                                                                                                                                                   |
| 42                            | 218.44        | 34561-542                                                                                                                                                                                                                                                                   |
| 63                            | 325.12        | 34561-563                                                                                                                                                                                                                                                                   |
| 84                            | 431.80        | 34561-584                                                                                                                                                                                                                                                                   |
| -                             | 1000          | 34561-501                                                                                                                                                                                                                                                                   |
| Fixing material kits see page |               | 6.103                                                                                                                                                                                                                                                                       |

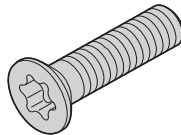
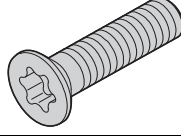
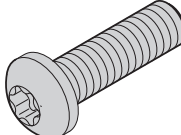
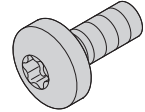
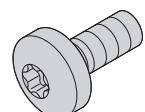
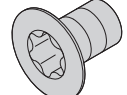
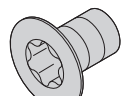
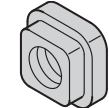
1) SPQ (standard pack quantity): Part number includes 1 piece, but delivery is exclusively made in standard pack quantity (SPQ); please order at least the SPQ quantity or a multiple  
"heavy" load > 7.5 kg; "rugged" load > 15 kg;

### Note

- All horizontal rails without printed markings
- 1000 mm version without M4 thread in end

# Subracks - *europac PRO* rugged ServicePLUS

## Screws overview

|                                                                                                                | Description                                                                                                                                                                                                                          | Material          | Dimension | Qty/PU | Part no.         |
|----------------------------------------------------------------------------------------------------------------|--------------------------------------------------------------------------------------------------------------------------------------------------------------------------------------------------------------------------------------|-------------------|-----------|--------|------------------|
| <br><small>06712051</small>   | Countersunk screw, with thread locking compound<br><b>Application:</b> Rugged side panel to horizontal rail;<br>for area of tox-cold welded brackets and corner profiles<br><u>except</u> when guide rail is fitted to slot 1        | Stainless steel   | M4 x 18   | 100    | <b>24566-100</b> |
| <br><small>06712051</small>   | Countersunk screw, with thread locking compound<br><b>Application:</b> Rugged side panel to horizontal rail;<br>for area of tox-cold welded brackets and corner profiles<br><u>if</u> guide rail is fitted to slot 1                 | Stainless steel   | M4 x 14   | 100    | 24566-101        |
| <br><small>82845940</small>   | Panhead screw, with thread locking compound<br><b>Application:</b> Rugged side panel to horizontal rail;<br><u>not</u> for area of tox-cold welded brackets and corner profiles<br><u>except</u> when guide rail is fitted to slot 1 | Stainless steel   | M4 x 14   | 100    | 24566-102        |
| <br><small>06712053</small>   | Panhead screw, with thread locking compound<br><b>Application:</b> Rugged side panel to horizontal rail;<br><u>not</u> for area of tox-cold welded brackets and corner profiles<br><u>if</u> guide rail is fitted to slot 1          | Stainless steel   | M4 x 10   | 100    | 24566-103        |
| <br><small>06712053</small>   | Panhead screw, with thread locking compound<br><b>Application:</b> Rugged side panel to cover plate,<br><u>not</u> for area of tox-cold welded brackets and corner profiles                                                          | Stainless steel   | M4 x 8    | 100    | 24566-104        |
| <br><small>06708053</small>   | Torx countersunk screw, with thread locking compound<br><b>Application:</b> : Rugged side panel to cover plate,<br>for area of tox-cold welded brackets and corner profiles                                                          | Stainless steel   | M4 x 10   | 100    | 24566-106        |
| <br><small>06708053</small> | Torx countersunk screw, with thread locking compound<br><b>Application:</b> Rugged side panel to corner profile;<br>in EMC-shielded subracks and to increase robustness                                                              | Stainless steel   | M4 x 7    | 100    | 24566-105        |
| <br><small>AZA45921</small> | Square nut<br><b>Application:</b> Rugged side panel to corner profile;<br>in EMC-shielded subracks and to increase robustness                                                                                                        | Zinc-plated steel | M4        | 100    | 24560-140        |

### Note

- Stainless steel screws; with organic surface layer (silver)



For further information [www.schroff.biz/oneclick](http://www.schroff.biz/oneclick)  
oneClick search code = Part no.

## Subracks - *europac* **PRO** rugged

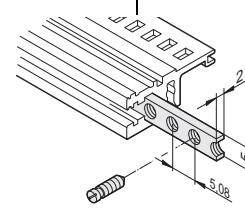
Threaded inserts, perforated strips, insulation strips

### Order Information

| Usable length<br>HP | Threaded insert |                                   | Perforated strip |                                   | Insulation strip |              |
|---------------------|-----------------|-----------------------------------|------------------|-----------------------------------|------------------|--------------|
|                     | Length<br>mm    | 1 piece<br>(SPQ 10) <sup>1)</sup> | Length<br>mm     | 1 piece<br>(SPQ 10) <sup>1)</sup> | Length<br>mm     | PU 10 pieces |
| 20                  | 106.18          | 34561-320                         | 106.48           | 30845-189                         | 101.50           | 24560-820    |
| 28                  | 146.82          | 34561-328                         | 147.12           | 30845-197                         | 144.20           | 24560-828    |
| 40                  | 207.78          | 34561-340                         | 208.08           | 30845-209                         | 205.12           | 24560-840    |
| 42                  | 217.94          | 34561-342                         | 218.24           | 30845-211                         | 210.40           | 24560-842    |
| 63                  | 324.62          | 34561-363                         | 324.92           | 30845-232                         | 316.88           | 24560-863    |
| 84                  | 431.30          | 34561-384                         | 431.60           | 30845-253                         | 428.64           | 24560-884    |
| 196                 | 1000.26         | 34565-196                         | 1000.26          | 34565-396                         | -                | -            |

#### Threaded insert

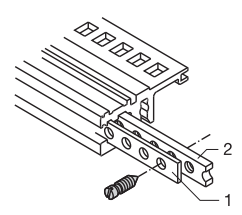
M2.5 M3



required for fixing the front panel to the horizontal rail;  
St, zinc-plated; use collar screw 12.3 mm,  
see page 6.64

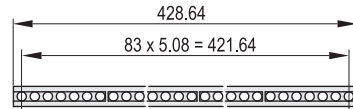
#### Perforated strip

Item 1



for centring shielded plug-in units, Al, 1 mm,  
please order grub screw separately

#### Insulation strip



for insulated mounting of backplane;  
PBT UL 94 V-0, grey

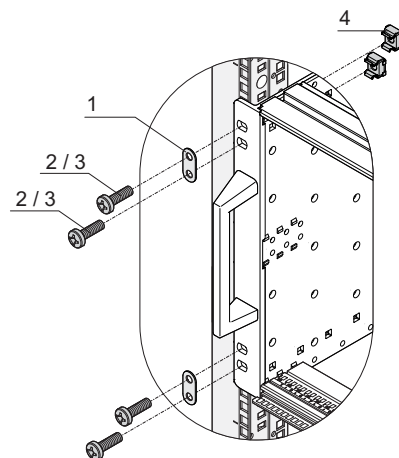
### Accessories

|                                       |           |           |   |           |   |   |
|---------------------------------------|-----------|-----------|---|-----------|---|---|
| Grub screw M2.5 x 8,<br>PU 100 pieces | 21100-276 | -         | - | -         | - | - |
| Grub screw M2.5 x 9,<br>PU 100 pieces | -         | -         | - | 21101-359 | - | - |
| Grub screw M3 x 8,<br>PU 100 pieces   | -         | 21100-646 | - | -         | - | - |

1) SPQ (standard pack quantity): Part number includes 1 piece, but delivery is exclusively made in standard pack quantity (SPQ);  
please order at least the SPQ quantity or a multiple

Part no. includes one packing unit (PU); delivery is exclusively made in PU

### 19" dual fixing materials kit



■ For fixing a subrack with dual fixing holes to 19" mounting  
brackets (e.g. rugged and railroad subracks)

#### Delivery comprises

| Item | Qty | Description                    |
|------|-----|--------------------------------|
| 1    | 4   | Double washer, stainless steel |
| 2    | 8   | M6 x 16 (Torx 30 drive)        |
| 3    | 8   | M6 x 16 (Pozidrive)            |
| 4    | 8   | Cage nut KM6                   |
| 1    | 4   | User manual                    |

#### Order Information

| Description                   | Part no.  |
|-------------------------------|-----------|
| 19" dual fixing materials kit | 24566-109 |


06113052



## Subracks - *europac PRO* rugged ServicePLUS

Adaptor to accommodate conduction cooled assemblies (CCA)

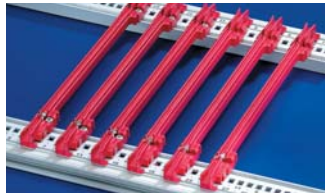
### Order Information

| Adaptor to accommodate conduction cooled assemblies (CCA) in subracks                                                                                                                                                        |                  |                   |
|------------------------------------------------------------------------------------------------------------------------------------------------------------------------------------------------------------------------------|------------------|-------------------|
|  <p>Al die-cast, silver, can be screw-fixed, 0.8" pitch;<br/>suitable for heavy and rugged horizontal rails, incl. fixing material kit</p> |                  |                   |
| <b>Board length</b>                                                                                                                                                                                                          | <b>VPX</b>       | <b>CompactPCI</b> |
| <b>mm</b>                                                                                                                                                                                                                    | <b>PU 1 pair</b> | <b>PU 1 pair</b>  |
| 160                                                                                                                                                                                                                          | 24566-004        | 24566-005         |

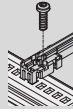
2) Part no. includes one packing unit (PU); delivery is exclusively made in PU

Guide rails for plug-in units and frame type plug-in units, one-piece, groove width 2 mm and 2.5 mm

### Order Information

| Assembly                                                                                                              |                     |               | For plug-in units and frame type plug-in units<br>"Standard"                                                                          |                                      |
|-----------------------------------------------------------------------------------------------------------------------|---------------------|---------------|---------------------------------------------------------------------------------------------------------------------------------------|--------------------------------------|
| Plastic guide rail<br>- can be clipped into Al extruded horizontal rails<br>- can be clipped into 1.5 mm thick plates |                     |               |                                                   |                                      |
| Storage temperature<br>from -40 °C ... 130 °C                                                                         |                     |               |                                                                                                                                       |                                      |
| <b>Board length</b>                                                                                                   | <b>Groove width</b> | <b>Colour</b> | up to 220 mm length, PBT, UL 94 V-0;<br>from 280 mm length, multi-piece, end piece PBT,<br>UL 94 V-0,<br>central section Al extrusion | PBT, UL 94 V-0                       |
| <b>mm</b>                                                                                                             | <b>mm</b>           | <b>mm</b>     | <b>PU 10 pieces<sup>2)</sup></b>                                                                                                      | <b>1 piece (SPQ 50)<sup>1)</sup></b> |
| 70                                                                                                                    | 2                   | red           | –                                                                                                                                     | 34579-230                            |
| 70                                                                                                                    | 2                   | grey          | –                                                                                                                                     | 34579-231                            |
| 160                                                                                                                   | 2                   | red           | 24560-351                                                                                                                             | 64560-001                            |
| 220                                                                                                                   | 2                   | red           | 24560-353                                                                                                                             | 64560-002                            |
| 280                                                                                                                   | 2                   | red           | 24560-379                                                                                                                             | –                                    |
| 340                                                                                                                   | 2                   | red           | 24560-380                                                                                                                             | –                                    |
| 160                                                                                                                   | 2.5                 | red           | –                                                                                                                                     | 64560-096                            |
| 220                                                                                                                   | 2.5                 | red           | –                                                                                                                                     | 64560-098                            |

### Accessories

|                                                       |                                                                                     |           |           |
|-------------------------------------------------------|-------------------------------------------------------------------------------------|-----------|-----------|
| Retention screw, PU 100 pieces;<br>Torque max. 0.2 Nm |  | 24560-141 | 24560-141 |
| ESD clip, PU 50 pieces                                |                                                                                     | 24560-255 | 24560-255 |

1) SPQ (standard pack quantity): Part number includes 1 piece, but delivery is exclusively made in standard pack quantity (SPQ); please order at least the SPQ quantity or a multiple

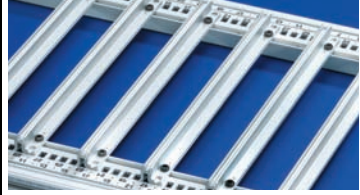

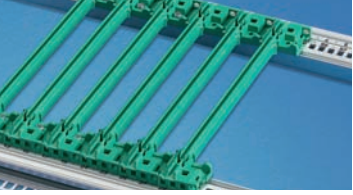
2) Part no. includes one packing unit (PU); delivery is exclusively made in PU

Description of accessories see from page 6.107

# Subracks - *europac PRO* rugged ServicePLUS

Guide rails for heavy assemblies, CompactPCI, VME64x

## Order Information

| Assembly<br>Plastic guide rails<br>- can be clipped into Al extruded horizontal rails<br>- can be clipped into 1.5 mm thick plates |                    |              | For heavy modules,<br>Al extrusion, silver,<br>robust version                                                                                                                       | For CompactPCI, VME64x with coding<br>In accordance with IEEE 1101.10<br>and IEC 60297-3-103                                                                                                                                                                | Offset 0.1" for power supply units<br>in accordance with IEEE 1101.10<br>and IEC 60297-3-103                                                                                                                 |
|------------------------------------------------------------------------------------------------------------------------------------|--------------------|--------------|-------------------------------------------------------------------------------------------------------------------------------------------------------------------------------------|-------------------------------------------------------------------------------------------------------------------------------------------------------------------------------------------------------------------------------------------------------------|--------------------------------------------------------------------------------------------------------------------------------------------------------------------------------------------------------------|
| Storage temperature<br>from -40 °C ... 130 °C                                                                                      |                    |              | <br>Al extrusion;<br>is screwed to horizontal rail<br>"heavy" or "rugged"<br>with retention screws | <br><b>One-piece</b> for groove width 2 mm, PBT,<br>UL 94 V-0;<br><b>multi-piece</b> for groove width 2.5 mm,<br>end piece PBT, UL 94 V-0,<br>middle section Al extrusion | <br>PBT, UL 94 V-0,<br>for installation of power supplies in<br>CompactPCI systems or<br>plug-in units with SMD placement |
| Board length<br>mm                                                                                                                 | Groove width<br>mm | Colour<br>mm | 1 piece (SPQ 10) <sup>1)</sup>                                                                                                                                                      | PU 10 pieces <sup>2)</sup>                                                                                                                                                                                                                                  | PU 10 pieces <sup>2)</sup>                                                                                                                                                                                   |
| 70                                                                                                                                 | 2                  | red          | –                                                                                                                                                                                   | 24560-355                                                                                                                                                                                                                                                   | –                                                                                                                                                                                                            |
| 70                                                                                                                                 | 2                  | grey         | –                                                                                                                                                                                   | 24560-360                                                                                                                                                                                                                                                   | –                                                                                                                                                                                                            |
| 160                                                                                                                                | 2                  | red          | –                                                                                                                                                                                   | 24560-356                                                                                                                                                                                                                                                   | –                                                                                                                                                                                                            |
| 160                                                                                                                                | 2                  | grey         | 34562-881                                                                                                                                                                           | 24560-358                                                                                                                                                                                                                                                   | –                                                                                                                                                                                                            |
| 160                                                                                                                                | 2                  | green        | –                                                                                                                                                                                   | –                                                                                                                                                                                                                                                           | 24560-359                                                                                                                                                                                                    |
| 220                                                                                                                                | 2                  | grey         | 34562-882                                                                                                                                                                           | –                                                                                                                                                                                                                                                           | –                                                                                                                                                                                                            |
| 220                                                                                                                                | 2                  | green        | 34562-883                                                                                                                                                                           | –                                                                                                                                                                                                                                                           | –                                                                                                                                                                                                            |
| 160                                                                                                                                | 2.5                | red          | 34562-884                                                                                                                                                                           | –                                                                                                                                                                                                                                                           | –                                                                                                                                                                                                            |
| 220                                                                                                                                | 2.5                | red          | 34562-885                                                                                                                                                                           | 24561-330                                                                                                                                                                                                                                                   | –                                                                                                                                                                                                            |
| 220                                                                                                                                | 2.5                | grey         | 34564-881                                                                                                                                                                           | 24561-340                                                                                                                                                                                                                                                   | –                                                                                                                                                                                                            |
| 280                                                                                                                                | 2.5                | red          | 34564-882                                                                                                                                                                           | 24561-331                                                                                                                                                                                                                                                   | –                                                                                                                                                                                                            |
| 280                                                                                                                                | 2.5                | grey         | 34564-883                                                                                                                                                                           | 24561-341                                                                                                                                                                                                                                                   | –                                                                                                                                                                                                            |

## Accessories

|                                                     |           |           |           |
|-----------------------------------------------------|-----------|-----------|-----------|
| ESD clips, PU 50 pieces                             | –         | 24560-255 | –         |
| ESD clips, for alignment pin,<br>PU 50 pieces       | –         | 24560-256 | 24560-256 |
| Retention screw, PU 100 pcs.;<br>torque max. 0.2 Nm | 24560-157 | 24560-141 | 24560-141 |
| Coding peg, PU 100 pieces                           | –         | 20817-501 | 20817-501 |

1) SPQ (standard pack quantity): Part number includes 1 piece, but delivery is exclusively made in standard pack quantity (SPQ); please order at least the SPQ quantity or a multiple

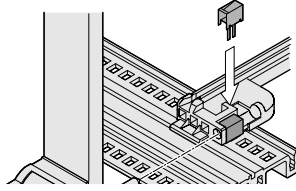
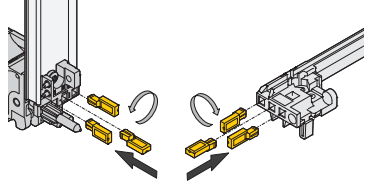
Part no. includes one packing unit (PU); delivery is exclusively made in PU

Description of accessories see from page 6.107

# Subracks - *europac PRO* rugged ServicePLUS

## Guide rail accessories

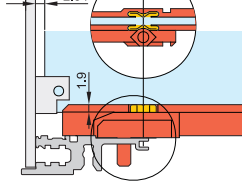
### Order Information

|                              |                                                                                                                                                                                                                                                                                                                                                                                                                                                                                    |                                                                                                                                                                                                                                                                                                                                                                                                                                                                                                                                                                                                                                            |
|------------------------------|------------------------------------------------------------------------------------------------------------------------------------------------------------------------------------------------------------------------------------------------------------------------------------------------------------------------------------------------------------------------------------------------------------------------------------------------------------------------------------|--------------------------------------------------------------------------------------------------------------------------------------------------------------------------------------------------------------------------------------------------------------------------------------------------------------------------------------------------------------------------------------------------------------------------------------------------------------------------------------------------------------------------------------------------------------------------------------------------------------------------------------------|
|                              | <p><b>ESD clips, CompactPCI/VME 64 alignment pin for guide rails</b></p>  <p>06103052</p> <p>Spring steel, tin-plated, ESD clip, for alignment pin in accordance with IEEE; can be plugged into the guide rails with coding and into the keying/coding block; provides conductive contact between the guide pin of the inserter/ extractor handle (IEL or IET handle) and the horizontal rail</p> | <p><b>Coding for plug-in components</b></p> <p><b>Keying/coding for CompactPCI, VME64x handles to IEEE 1011.10 and IEC 60297-3-103</b></p>  <p>04612052</p> <p>Keying/coding peg, PBTP, UL 94 V-0, RAL 7035: The keying/coding pegs prevent plug-in units to be mounted in wrong slots. They are inserted in the chambers of the codable card guides as well as in the insertion/extraction handles IEL or IET (4 possible positions), resulting in 64 codings per card guide; when coding the upper and lower card guide, 4096 codings will result;</p> |
| <b>Assembly</b>              | PU 50 pieces <sup>2)</sup>                                                                                                                                                                                                                                                                                                                                                                                                                                                         | PU 100 pieces <sup>2)</sup>                                                                                                                                                                                                                                                                                                                                                                                                                                                                                                                                                                                                                |
| At the top/<br>at the bottom | 24560-256                                                                                                                                                                                                                                                                                                                                                                                                                                                                          | 20817-501                                                                                                                                                                                                                                                                                                                                                                                                                                                                                                                                                                                                                                  |

<sup>2)</sup> Part no. includes one packing unit (PU); delivery is exclusively made in PU

## Guide rail accessories

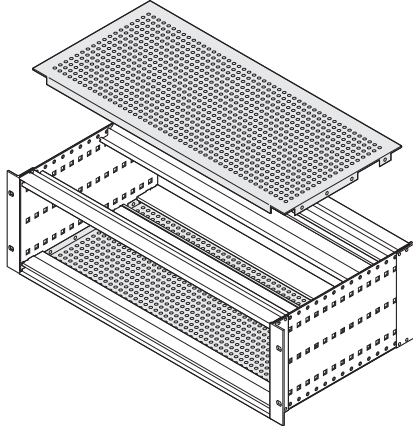
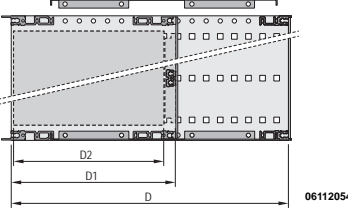
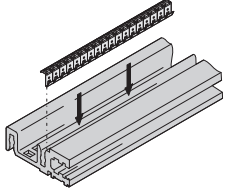
### Order Information

|                 |                                                                                                                                                                                                                                                                                          |
|-----------------|------------------------------------------------------------------------------------------------------------------------------------------------------------------------------------------------------------------------------------------------------------------------------------------|
|                 | <p><b>ESD clip for guide rails</b></p>  <p>04503050</p> <p>Spring steel, tin-plated, ensures conductive contact between board and horizontal rail, on both the solder side and the component side</p> |
| <b>Colour</b>   | <b>silver</b>                                                                                                                                                                                                                                                                            |
| <b>Assembly</b> | PU 50 pieces                                                                                                                                                                                                                                                                             |
| above/below     | 24560-255                                                                                                                                                                                                                                                                                |


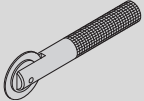
# Subracks - *europac PRO* rugged ServicePLUS

Cover plates for bolting to rugged side panel

## Order Information


|                                                                                   |                   |                                                                                                                                                                                                                                                                                                                                                                         |                  |                                                                                                                                                                                                                                                                                                                       |                      |
|-----------------------------------------------------------------------------------|-------------------|-------------------------------------------------------------------------------------------------------------------------------------------------------------------------------------------------------------------------------------------------------------------------------------------------------------------------------------------------------------------------|------------------|-----------------------------------------------------------------------------------------------------------------------------------------------------------------------------------------------------------------------------------------------------------------------------------------------------------------------|----------------------|
|  |                   | <p><b>Cover plate for bolting to side panel</b></p>  <p>Perforated Al plate, 1.2 mm, hole diameter 4.0 mm, passivated, perforation ratio 58 %, incl. retention screws;</p> <p>4 stainless steel EMC contact strips per subrack are required for shielding, please order separately</p> |                  | <p><b>Stainless steel EMC gasket, between cover plate and horizontal rail</b></p>  <p>Stainless steel EMC gasket, clips into the horizontal rail and forms the contact with the cover plate; suitable for all horizontal rails</p> |                      |
| <b>Width HP</b>                                                                   | <b>Depth D mm</b> | <b>Application</b>                                                                                                                                                                                                                                                                                                                                                      | <b>PU 1 pair</b> | <b>PU 10 pieces</b>                                                                                                                                                                                                                                                                                                   | <b>PU 100 pieces</b> |
| 84                                                                                | 175               | 160 mm board depth (D2)                                                                                                                                                                                                                                                                                                                                                 | 24568-004        | 24560-245                                                                                                                                                                                                                                                                                                             | 24560-246            |
| 84                                                                                | 235               | 220 mm board depth (D2)                                                                                                                                                                                                                                                                                                                                                 | 24568-008        |                                                                                                                                                                                                                                                                                                                       |                      |
| 84                                                                                | 295               | 280 mm board depth (D2)                                                                                                                                                                                                                                                                                                                                                 | 24568-012        |                                                                                                                                                                                                                                                                                                                       |                      |
| 84                                                                                | 275               | 160 mm board depth (D2) CompactPCI, 80 mm rear I/O                                                                                                                                                                                                                                                                                                                      | 24568-032        |                                                                                                                                                                                                                                                                                                                       |                      |
| 84                                                                                | 277.75            | 160 mm board depth (D2) CompactPCI, 80 mm rear I/O                                                                                                                                                                                                                                                                                                                      | 24568-036        |                                                                                                                                                                                                                                                                                                                       |                      |
| 84                                                                                | 295               | 160 mm board depth (D2), approx. 120 mm clearance behind backplane                                                                                                                                                                                                                                                                                                      | 24568-016        |                                                                                                                                                                                                                                                                                                                       |                      |
| 84                                                                                | 355               | 220 mm board depth (D2), approx. 120 mm clearance behind backplane                                                                                                                                                                                                                                                                                                      | 24568-020        |                                                                                                                                                                                                                                                                                                                       |                      |

## Accessories

|                                                                                  |                                                                                     |           |           |           |
|----------------------------------------------------------------------------------|-------------------------------------------------------------------------------------|-----------|-----------|-----------|
| Cover plate latch, additional securing for rugged cover plate, PU 4 pieces       |  | 24566-007 | -         | -         |
| Assembly tool, to fit EMC gasket, stainless steel, for horizontal rails, 1 piece |  | -         | 24560-271 | 24560-271 |

## Note

- Cover plates without perforation available on request
- Mounting position of horizontal rails, see page 6.98

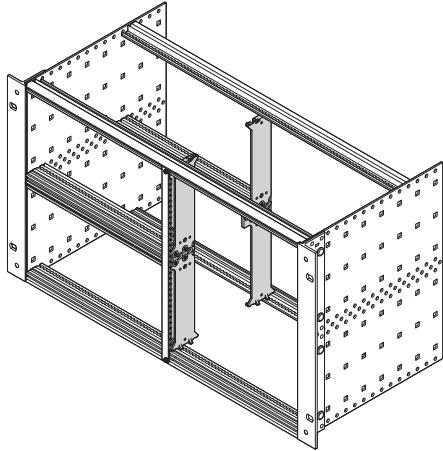
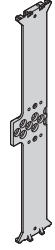
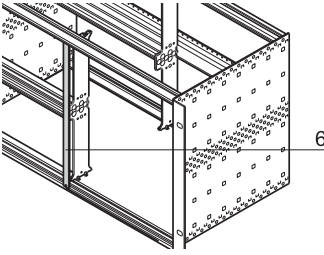
 For further information [www.schroff.biz/oneclick](http://www.schroff.biz/oneclick)  
oneClick search code = Part no.



# Subracks - *europac PRO* rugged ServicePLUS

Combined mounting (6 U and 2 x 3 U one above the other)

## Order Information

|                                                                                                   |                                                                                                                                                                                                        |                                                                                                                                                                                                                                           |
|---------------------------------------------------------------------------------------------------|--------------------------------------------------------------------------------------------------------------------------------------------------------------------------------------------------------|-------------------------------------------------------------------------------------------------------------------------------------------------------------------------------------------------------------------------------------------|
|  <p>06112076</p> | <p><b>Rugged struts</b><br/>for combined mounting</p>  <p>06112077</p> <p>6 U, die-cast zinc; fixing material kit</p> | <p><b>Front panel for textile EMC gasket,</b><br/>6 U, 2 HP<br/>Item 6</p>  <p>bpa46550</p> <p>Al, 2.5 mm,<br/>U-profile with notch,<br/>6 U, 2 HP</p> |
| <p><b>Height</b><br/>U</p>                                                                        | <p><b>PU 2 pieces</b></p>                                                                                                                                                                              | <p><b>1 piece (SPQ 5)<sup>1)</sup></b></p>                                                                                                                                                                                                |
| <p>6</p>                                                                                          | <p>24566-400</p>                                                                                                                                                                                       | <p>30849-140</p>                                                                                                                                                                                                                          |

## Accessories

|                                                                                                                    |          |                  |
|--------------------------------------------------------------------------------------------------------------------|----------|------------------|
| <p>Pozidrive/slotted collar screw<br/>M2.5 x 12.3, St, nickel-plated, PU 100 pieces</p>                            | <p>—</p> | <p>21101-101</p> |
| <p>Pozidrive/slotted collar screw<br/>M2.5, black, zinc-plated, PU 100 pieces</p>                                  | <p>—</p> | <p>21101-102</p> |
| <p>Washer<br/>2.7 x 5 x 1, PA 6, PU 100 pieces</p>                                                                 | <p>—</p> | <p>21101-121</p> |
| <p>Textile gasket,<br/>core: foam,<br/>sleeve: textile cladding with CuNi coating,<br/>UL 94 V-0, PU 10 pieces</p> | <p>—</p> | <p>21101-855</p> |

## Note

- Rugged horizontal rails in various lengths, see page 6.99

# Subracks - *europac PRO* rugged ServicePLUS

## EMC gaskets between front/rear panel and horizontal rail

### Order Information

06102053

**Stainless steel EMC gasket**  
between front panel/rear panel and horizontal rail

stainless steel; for front and rear horizontal rails (type VT)

06102053

|  | Width<br>HP | Depth<br>mm | PU 10 pieces | PU 100 pieces |
|--|-------------|-------------|--------------|---------------|
|  | 28          | 131.8       | 24560-229    | —             |
|  | 42          | 202.9       | 24560-231    | —             |
|  | 63          | 304.5       | 24560-233    | —             |
|  | 84          | 416.6       | 24560-235    | 24560-236     |

## EMC gaskets between front panel and 19" bracket/corner profile

### Order Information

06105077

**Textile EMC gasket**  
between front panel/rear panel and 19" bracket/corner profile

textile gasket,  
core: foam,  
sleeve: textile cladding with CuNi coating,  
UL 94 V-0C

06102056

06100054

|  | Height<br>U | Depth<br>mm | PU 10 pieces | PU 100 pieces |
|--|-------------|-------------|--------------|---------------|
|  | 3           | 97.5        | 21101-853    | 21101-854     |
|  | 6           | 232.5       | 21101-855    | 21101-856     |

# Subracks - *europacPRO* rugged ServicePLUS

## EMC gasket between horizontal rail and cover plate

### Order Information

|                                                                                      |                 |                                                                                                                                                                                                                               |                      |
|--------------------------------------------------------------------------------------|-----------------|-------------------------------------------------------------------------------------------------------------------------------------------------------------------------------------------------------------------------------|----------------------|
|                                                                                      |                 | <b>Stainless steel EMC gasket, between cover plate and horizontal rail</b><br><p>stainless steel EMC gasket, clips into the horizontal rail and forms the contact with the cover plate; suitable for all horizontal rails</p> |                      |
| <b>Width HP</b>                                                                      | <b>Depth mm</b> | <b>PU 10 pieces</b>                                                                                                                                                                                                           | <b>PU 100 pieces</b> |
| 42                                                                                   | 202.9           | 24560-241                                                                                                                                                                                                                     | —                    |
| 84                                                                                   | 416.6           | 24560-245                                                                                                                                                                                                                     | 24560-246            |
| Assembly tool, to fit EMC gasket, stainless steel, for horizontal rails, 1 piece<br> |                 | 24560-271                                                                                                                                                                                                                     | 24560-271            |

## EMC gasket between backplane and side panel

### Order Information

|                                                               |                 |                                                                                                                                                                                                                                                                                                                                                   |  |
|---------------------------------------------------------------|-----------------|---------------------------------------------------------------------------------------------------------------------------------------------------------------------------------------------------------------------------------------------------------------------------------------------------------------------------------------------------|--|
|                                                               |                 | <b>Stainless steel EMC gasket between backplane and side panel (depth-offset installation)</b><br><p>2 x support profile, Al extrusion, 2 x stainless steel EMC gasket; for vertical EMC shielding between depth-offset shielded backplane and side panel: dimensions for 84 HP<br/>A = 425.8 mm, B &lt; 429.9 mm, C = 429.8 mm, D = 431.8 mm</p> |  |
| <b>Height U</b>                                               | <b>Depth mm</b> | <b>PU 1 kit</b>                                                                                                                                                                                                                                                                                                                                   |  |
| 3                                                             | 97.5            | 24561-199                                                                                                                                                                                                                                                                                                                                         |  |
| 6                                                             | 187.5           | 24561-499                                                                                                                                                                                                                                                                                                                                         |  |
| Torx countersunk screw M4 x 7, St, zinc-plated, PU 100 pieces |                 | 24566-105                                                                                                                                                                                                                                                                                                                                         |  |
| Square nut M4, St, zinc-plated, PU 100 piece                  |                 | 24560-140                                                                                                                                                                                                                                                                                                                                         |  |

With appropriate design, the backplane can be used as shielded rear wall of the rack; in this case a rear horizontal rail (L-type VT or H-VT) must be used for deeper installation to ensure the horizontal contact.

Für den vertikalen Kontakt kann die Trägerleiste standardmäßig an der europacPRO-Seitenwand befestigt werden (Tiefenraster 30 mm)

Overview ..... 0

Cabinets ..... 1

Wall mounted cases ..... 2

Accessories for cabinets and wall mounted cases 3

Climate control 4

Desk-top cases 5

**Subracks/  
19" chassis ... 6**

Front panels, plug-in units .. 7

Systems ..... 8

Power supply units ..... 9

Backplanes .. 10

Connectors, front panel component system ..... 11

Appendix .... 12

## 19" chassis - *multipacPRO*



06005001

### Standards/certifications

- Exterior dimensions in accordance with: IEC 60297-3-100, 101, 105
- Ingress protection IP 20 in accordance with IEC 60529
- EMC testing in accordance with VG 95373 part 15 or IEC 61587



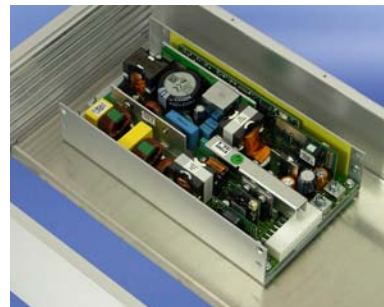
06008009

Handles can be bolted on from front



06008010

High stability with aluminium profile side panel



06008011

Mounting plate for fitting heavy components

### Top cover and base plate in 3 versions



06008003

Plain



06008005

Perforated



06008004

For standardised board mounting



Downloads and further important information can be found on the Internet under [www.schroff.biz](http://www.schroff.biz)

Main Catalogue  
E 10/2012

The ideal solution for electronic devices in the most compact dimensions

- Aluminium or steel (AlZn coated) designs
- For standardised 19" board mounting or for installation of non-standardised components
- EMC shielding upgradable
- Mounting service and customized machining with ServicePLUS



06008005

**19" complete chassis**

- 2 materials
  - Steel plate (AlZn coated)
  - Aluminium
- 3 top cover versions
  - Top cover/base plate, solid
  - Top cover/base plate, perforated (aluminium version)
  - Top cover/base plate for standardised PCBs (aluminium version)



06008001

**19" chassis, individually configured from separate parts**

- For non-standardised assemblies with mounting plate
- For standardised board assembly
- Customised solutions



30407004

**ServicePLUS from page 6.118**

- e.g. individual configuration and assembly
- e.g. modification (cut-outs)
- e.g. downloads (CAD drawings, user manuals, test reports)
- e.g. custom solutions (special sizes)

[www.schroff.biz/ServicePLUS](http://www.schroff.biz/ServicePLUS)

**FRONT PANEL EXPRESS**

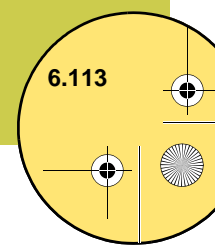
19" complete chassis (St) . . . . 6.114  
 19" complete chassis (Al) . . . . 6.115

19" chassis for non-standardised assembly . . . . . 6.120  
 19" chassis for standardised assembly . . . . . 6.122

**Accessories**  
 Guide rails . . . . . 6.124  
 Telescopic slides  
 1 U . . . . . 6.125  
 Telescopic slides  
 2 U . . . . . 6.126

ServicePLUS . . 6.118

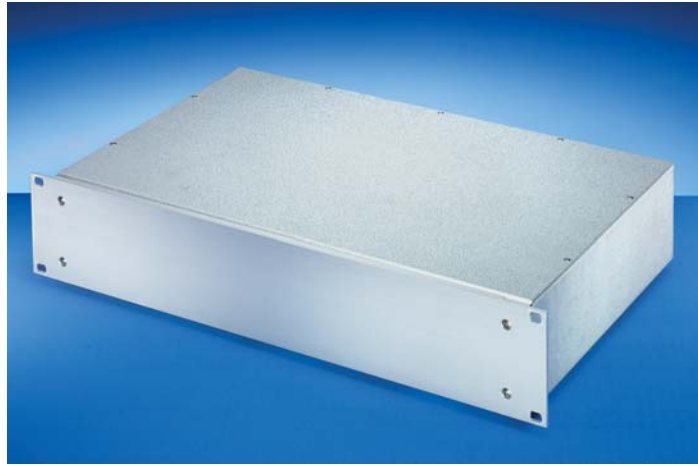
Application examples . . . . . 6.127





## 19" chassis - *multipacPRO*

19" complete chassis from steel with plain top cover and base plate



- Complete chassis, St (AlZn coated) with Al extrusion front panel
- Detachable rear panel for easy machining
- EMC shielding of approx. 30 dB(A) at 1 GHz (without additional shielding material)
- In accordance with standard IEC 60297-3-101
- In the 1 U version 19" and ATX power supplies can be assembled up to a clearance of 40 mm

### Delivery comprises (Kit)

| Item | Qty | Description                                                                                                                          |
|------|-----|--------------------------------------------------------------------------------------------------------------------------------------|
| 1    | 1   | Front panel, Al extrusion, 3 mm; in 1 U: front anodised, rear etched; from 2 U: front and rear side of front panels clear passivated |
| 2    | 1   | Base body, plain, St, 1 mm, (AlZn coated)                                                                                            |
| 3    | 1   | Rear panel, St, 1 mm (AlZn coated)                                                                                                   |
| 4    | 1   | Cover, plain, St, 1 mm (AlZn coated)                                                                                                 |
| 5    | 1   | Assembly kit                                                                                                                         |

### Order Information


| Height U | Height H mm | Depth T mm | Part no.  |
|----------|-------------|------------|-----------|
| 1        | 43.7        | 220        | 20860-120 |
| 1        | 43.7        | 280        | 20860-121 |
| 1        | 43.7        | 340        | 20860-122 |
| 2        | 88.1        | 280        | 20860-126 |
| 2        | 88.1        | 340        | 20860-127 |

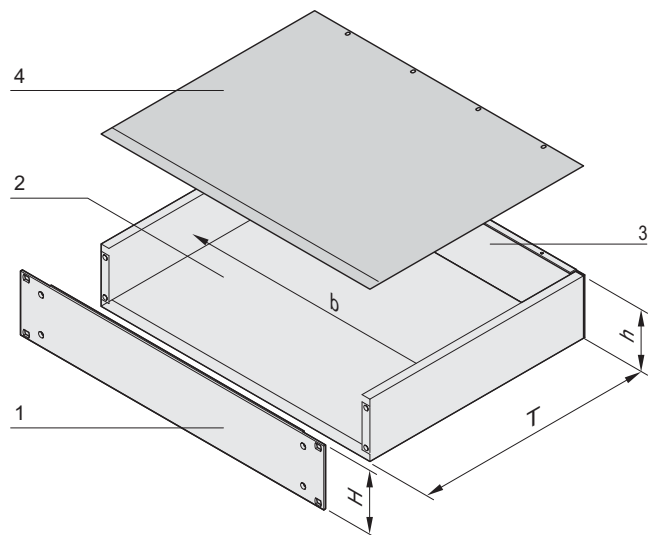
### Accessories

|                                                                                                                                 |           |
|---------------------------------------------------------------------------------------------------------------------------------|-----------|
| <b>Front handles</b> incl. assembly kit for 1 U, Al extrusion, anodised, PU 2 pieces                                            | 20860-256 |
| <b>Front handles</b> incl. assembly kit for 2 U, Al extrusion, anodised, PU 2 pieces                                            | 20860-257 |
| <b>EMC sealing</b> to close the gap at the front between case and front panel, 2 saw tooth gaskets, stainless steel, PU 1 piece | 20860-132 |

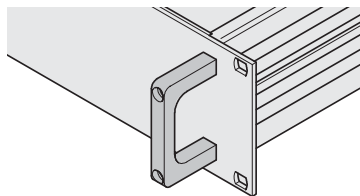
### Note

- Further versions with steel front panel (pizza box) available on request
- Telescopic slides cannot be used
- No special EMC version available
- Standardised internal mounting kits cannot be used

 For further information [www.schroff.biz/oneclick](http://www.schroff.biz/oneclick)  
oneClick search code = Part no.



h = clear height (overall) (H - 3.0 mm)  
b = clear installation width = 447 mm



Front handle



ServicePLUS see page 6.118

# 19" chassis - *multipacPRO*

19" complete chassis from aluminium with plain top cover and base plate



- Complete chassis from aluminium
- Detachable rear panel for easy machining
- EMC shielding of approx. 30 dB(A) at 1 GHz (without additional shielding material)
- In accordance with standard IEC 60297-3-100, -101, -105
- In the 1 U version 19" and ATX power supplies can be assembled up to a clearance of 35 mm

### Delivery comprises (Kit)

| Item | Qty | Description                                                                                                                          |
|------|-----|--------------------------------------------------------------------------------------------------------------------------------------|
| 1    | 1   | Front panel, Al extrusion, 3 mm; in 1 U: front anodised, rear etched; from 2 U: front and rear side of front panels clear passivated |
| 2    | 1   | Rear panel, Al, 2 mm, etched                                                                                                         |
| 3    | 1   | Base plate, plain, Al, 1 mm                                                                                                          |
| 4    | 1   | Cover plate, plain, Al, 1 mm                                                                                                         |
| 5    | 2   | Side panel, Al extrusion, raw; with grooves for threaded insert (2 x 7); 5 U, two-piece, 3+2 U                                       |
| 6    | 1   | Assembly kit                                                                                                                         |

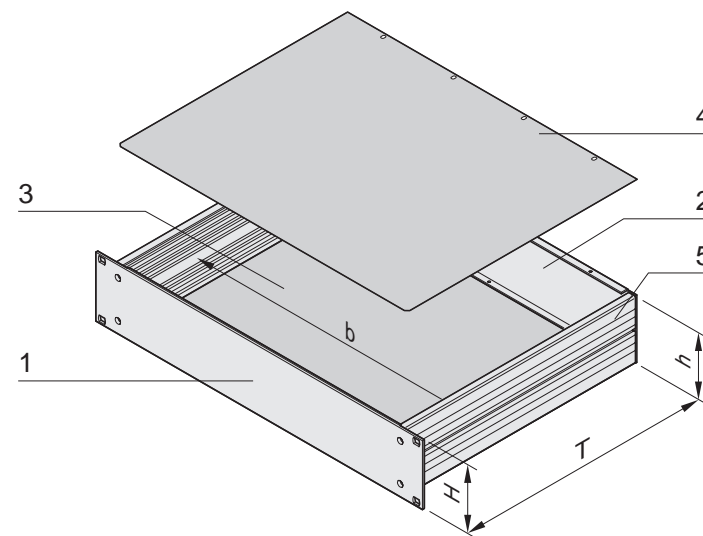
### Order Information

| Height U | Height H mm | Depth T mm | Part no. Kit |
|----------|-------------|------------|--------------|
| 1        | 43.7        | 220        | 20860-601    |
| 1        | 43.7        | 280        | 20860-602    |
| 2        | 88.1        | 280        | 20860-605    |
| 2        | 88.1        | 340        | 20860-606    |
| 3        | 132.6       | 280        | 20860-607    |
| 3        | 132.6       | 340        | 20860-608    |
| 3        | 132.6       | 400        | 20860-609    |
| 4        | 177.0       | 340        | 20860-612    |
| 4        | 177.0       | 400        | 20860-613    |
| 4        | 177.0       | 460        | 20860-614    |
| 5        | 221.5       | 460        | 20860-615    |

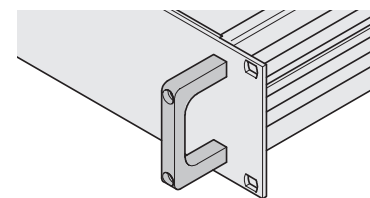
- EMC gasketing kit** Silicone/nickel gasket 2100 mm for contacting side panel/cover plate; seal, stainless steel, for front panel/cover plate, 1 kit 20860-130
- Front handles** incl. assembly kit for 1 U, Al extrusion, anodised, PU 2 pieces 20860-256
- Front handles** incl. assembly kit for 2 U, Al extrusion, anodised, PU 2 pieces 20860-257
- Front handles** incl. assembly kit for 3 U, Al extrusion, anodised, PU 2 pieces 20860-258
- Front handles** incl. assembly kit for 4 U, Al extrusion, anodised, PU 2 pieces 20860-259
- Front handles** incl. assembly kit for 5 U, Al extrusion, anodised, PU 2 pieces 20860-260

### Note

- Threaded inserts to push into the side panel see page 6.121
- Telescopic slides to mount into cabinet see page 6.125



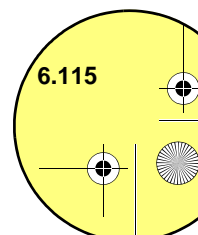
h = clear height (overall) (H - 8.1 mm)  
b = clear installation width = 403 mm



Front handle



ServicePLUS see page 6.118



# 19" chassis - *multipacPRO*

19" complete chassis from aluminium with perforated top cover and base plate



- Complete chassis from aluminium
- Detachable rear panel for easy machining
- In the 1 U version 19" and ATX power supplies can be assembled up to a clearance of 35 mm
- EMC shielding of approx. 30 dB(A) at 1 GHz (without additional shielding material)
- In accordance with standard IEC 60297-3-100, -101, -105

### Delivery comprises (kit)

| Item | Qty | Description                                                                                                                          |
|------|-----|--------------------------------------------------------------------------------------------------------------------------------------|
| 1    | 1   | Front panel, Al extrusion, 3 mm; in 1 U: front anodised, rear etched; from 2 U: front and rear side of front panels clear passivated |
| 2    | 1   | Rear panel, Al, 2 mm, etched                                                                                                         |
| 3    | 1   | Base plate, perforated, Al, 1 mm                                                                                                     |
| 4    | 1   | Cover plate, perforated, Al, 1 mm                                                                                                    |
| 5    | 2   | Side panel, Al extrusion, raw; with grooves for threaded insert (2 x 7); 5 U, two-piece, 3+2 U                                       |
| 6    | 1   | Assembly kit                                                                                                                         |

### Order Information

| Height U | Height H mm | Depth T mm | Part no.  |
|----------|-------------|------------|-----------|
| 1        | 43.7        | 220        | 20860-621 |
| 1        | 43.7        | 280        | 20860-622 |
| 2        | 88.1        | 280        | 20860-625 |
| 2        | 88.1        | 340        | 20860-626 |
| 3        | 132.6       | 280        | 20860-627 |
| 3        | 132.6       | 340        | 20860-628 |
| 3        | 132.6       | 400        | 20860-629 |
| 4        | 177.0       | 340        | 20860-632 |
| 4        | 177.0       | 400        | 20860-633 |
| 4        | 177.0       | 460        | 20860-634 |
| 5        | 221.5       | 460        | 20860-635 |

**EMC gasketing kit** Silicone/nickel gasket 2100 mm for contacting side panel/cover plate; seal, stainless steel, for front panel/cover plate, 1 kit 20860-130

**Front handles** incl. assembly kit for 1 U, Al extrusion, anodised, PU 2 pieces 20860-256

**Front handles** incl. assembly kit for 2 U, Al extrusion, anodised, PU 2 pieces 20860-257


**Front handles** incl. assembly kit for 3 U, Al extrusion, anodised, PU 2 pieces 20860-258

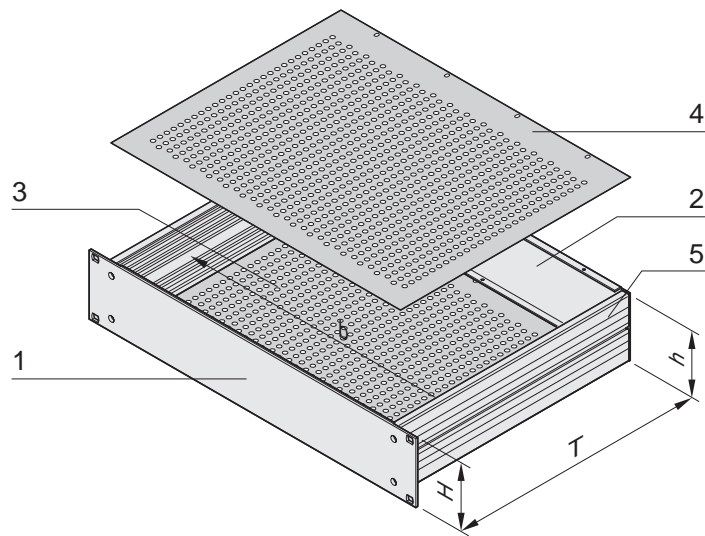
**Front handles** incl. assembly kit for 4 U, Al extrusion, anodised, PU 2 pieces 20860-259

**Front handles** incl. assembly kit for 5 U, Al extrusion, anodised, PU 2 pieces 20860-260

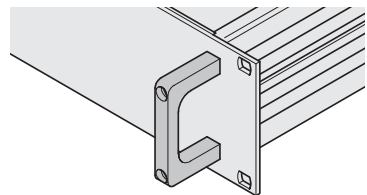
### Note

- Threaded inserts to push into the side panel see page 6.121
- Telescopic slides to mount into cabinet see page 6.125

 For further information [www.schroff.biz/oneclick](http://www.schroff.biz/oneclick)  
oneClick search code = Part no.



h = clear height (overall) (H - 8.1 mm)  
b = clear installation width = 403 mm



Front handle



ServicePLUS see page 6.118

# 19" chassis - *multipacPRO*

19" complete chassis from aluminium,  
for assembly of euroboards



- Complete chassis from aluminium
- Detachable rear panel for easy machining
- EMC shielding of approx. 30 dB(A) at 1 GHz (without additional shielding material)
- In accordance with standard IEC 60297-3-100, -101, -105
- In the 1 U version 19" and ATX power supplies can be assembled up to a clearance of 35 mm

### Delivery comprises (Kit)


| Item | Qty | Description                                                                                                                         |
|------|-----|-------------------------------------------------------------------------------------------------------------------------------------|
| 1    | 1   | Front panel Al extrusion, 3 mm; in 1 U: front anodised, rear etched; from 2 U: front and rear side of front panels clear passivated |
| 2    | 1   | Rear panel, Al, 2 mm, etched                                                                                                        |
| 3    | 1   | Base plate, Al, 1 mm; with drilled holes for horizontal mounting of euroboards                                                      |
| 4    | 1   | Cover plate, Al, 1 mm; with drilled holes for horizontal mounting of euroboards                                                     |
| 5    | 2   | Side panel, Al extrusion, raw; with grooves for threaded insert (2 x 7)                                                             |
| 6    | 1   | Assembly kit                                                                                                                        |

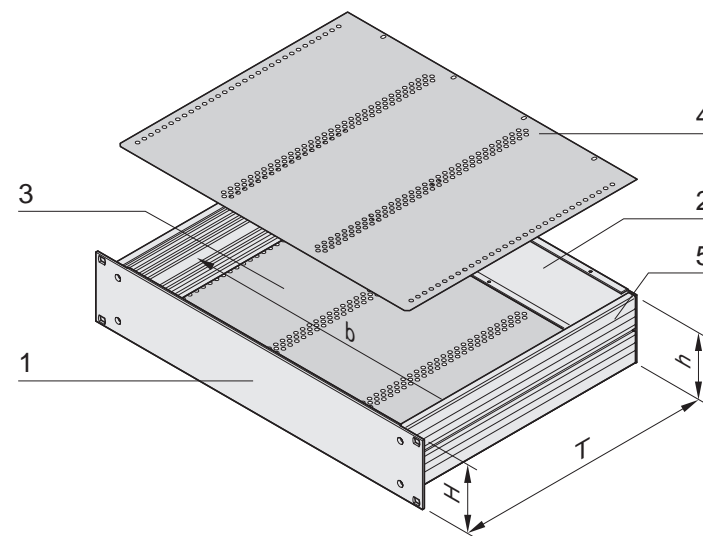
### Order Information

| Height U                                                                        | Height H mm | Depth T mm | Part no.         |
|---------------------------------------------------------------------------------|-------------|------------|------------------|
| 1                                                                               | 43.7        | 220        | <b>20860-641</b> |
| 1                                                                               | 43.7        | 280        | <b>20860-642</b> |
| 2                                                                               | 88.1        | 280        | <b>20860-645</b> |
| <b>EMC gasketing kit PU 1 kit</b>                                               |             |            | 20860-130        |
| <b>Front handles for 1 U PU 2 pieces</b>                                        |             |            | 20860-256        |
| <b>Front handles for 2 U PU 2 pieces</b>                                        |             |            | 20860-257        |
| <b>Euroboard mounting kit for EN 60603 connector for 1 U PU 1 kit</b>           |             |            | 20860-115        |
| <b>Euroboard mounting kit for EN 60603 connector for 2 U PU 1 kit</b>           |             |            | 20860-117        |
| <b>Euroboard mounting kit for insulated backplane mounting for 1 U PU 1 kit</b> |             |            | 20860-116        |
| <b>Euroboard mounting kit for insulated backplane mounting for 2 U PU 1 kit</b> |             |            | 20860-118        |

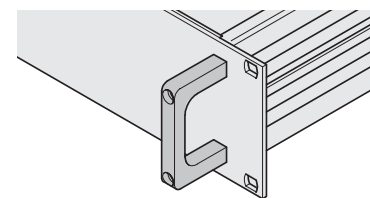
### Note

- Threaded inserts to push into the side panel see page 6.121
- Guide rails see page 6.124
- Telescopic slides to mount into cabinet see page 6.125

 For further information [www.schroff.biz/oneclick](http://www.schroff.biz/oneclick)  
oneClick search code = Part no.



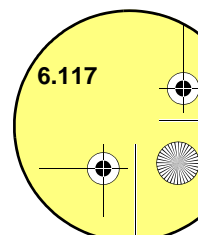
h = clear height (overall) (H - 8.1 mm)  
b = clear installation width = 403 mm



Front handle



ServicePLUS see page 6.118



# 19" chassis - *multipacPRO* ServicePLUS



## configuration

Simple. Fast. For the product you want.

Components can be varied and combined freely

- Configuration tables from page 6.119
- Online configuration: [www.schroff.co.uk/configuration](http://www.schroff.co.uk/configuration)



## assembly

Assembled by professionals. Double benefit!

Fitting of all mechanical, electrical and electronic components by our specialists

- Professional and reliable from quantity 1
- Ready for despatch within 5 working days



## modification

Small changes. Large impact.

Custom drillings, cut-outs and special colours for off-the-shelf products

- Custom modifications from quantity 1
- Ready for despatch within 10 working days

**FRONTPLATTEN  
EXPRESS**



## solution

Simple. Fast. From one source.

Integration and custom developments

- Special sizes (depth and width)
- Individual heat dissipation concepts
- Ready for dispatch within 10 working days



## express

When fast has to be faster.

Delivery time to customer's request

- Express logistics



## academy

Knowledge. Sharing. Partnerships.

Knowledge transfer and partnership

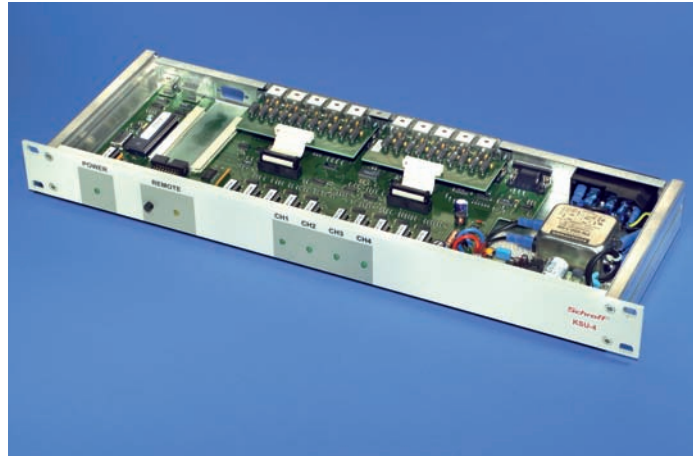
- Seminars, CAD drawings, test reports, user reports



## 19" chassis - *multipacPRO* ServicePLUS

### How to configure 19" aluminium chassis

- Select height and depth of the basic kit
- Select further components



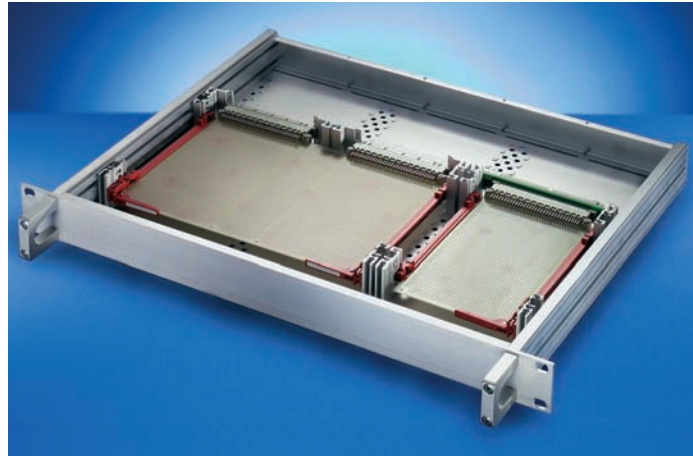
06006001

### For non-standardised assemblies (1 ... 5 U)

- Mounting plate
- Top cover/base plate
- Front handles
- EMC gasketing kit
- Telescopic slides

#### Note

- Non-standardised assemblies see from page 6.120



06002001

### For standardised assemblies (1, 2 U) in accordance with IEC 60297 -3-100, -101, -105

- Top cover/base plate for horizontal board mounting
- Internal connector or backplane fitting
- Front handles
- EMC gasketing kit
- Telescopic slide

#### Note

- Standardised assemblies from page 6.122

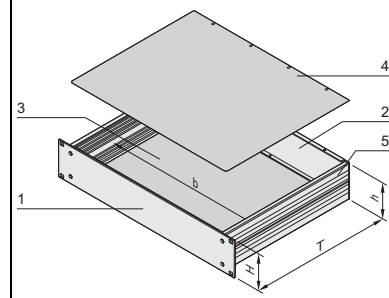
# 19" chassis - *multipacPRO* ServicePLUS

## Individual components 19" chassis for non-standardised assemblies

- Please select:
  - Height and depth of basic kit (1 ... 5 U, item 1+2+5)
  - Mounting plate
  - Top cover/base plate (item 3+4)
  - Front handles
  - EMC gasketing kit
  - Telescopic slides
- In accordance with IEC 60297-3-105

### Order Information

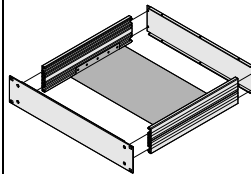
| Height<br>U | Height<br>mm | Width<br>HP | Depth<br>mm | Basic kit                                                                                                          |             | Mounting plate                                                                                                                                                |           | Top cover/base plate |            |
|-------------|--------------|-------------|-------------|--------------------------------------------------------------------------------------------------------------------|-------------|---------------------------------------------------------------------------------------------------------------------------------------------------------------|-----------|----------------------|------------|
|             |              |             |             | 1 x Al front panel, 3 mm;<br>2 x extruded Al side panels;<br>1 x Al rear panel, 2 mm,<br>incl. fixing material kit |             | Al plate, 2 mm;<br>threaded insert, St, 2 mm,<br>zinc-plated, height 7 mm,<br>length 431.3 mm,<br>M3 hole clearance<br>1 HP = 5.08 mm;<br>for heavy equipment |           | plain                | perforated |
|             |              |             |             | PU 1 kit                                                                                                           | Depth<br>mm | 1 piece                                                                                                                                                       | 1 piece   | 1 piece              | 1 piece    |
| 1           | 43.7         | 84          | 220         | 20860-201                                                                                                          | 150         | 20860-107                                                                                                                                                     | 30860-501 | 30860-510            |            |
| 1           | 43.7         | 84          | 280         | 20860-202                                                                                                          | 210         | 20860-108                                                                                                                                                     | 30860-502 | 30860-511            |            |
| 1           | 43.7         | 84          | 340         | 20860-203                                                                                                          | 270         | 20860-109                                                                                                                                                     | 30860-503 | 30860-512            |            |
| 2           | 88.1         | 84          | 220         | 20860-210                                                                                                          | 150         | 20860-107                                                                                                                                                     | 30860-501 | 30860-510            |            |
| 2           | 88.1         | 84          | 280         | 20860-211                                                                                                          | 210         | 20860-108                                                                                                                                                     | 30860-502 | 30860-511            |            |
| 2           | 88.1         | 84          | 340         | 20860-212                                                                                                          | 270         | 20860-109                                                                                                                                                     | 30860-503 | 30860-512            |            |
| 3           | 132.6        | 84          | 280         | 20860-219                                                                                                          | 210         | 20860-108                                                                                                                                                     | 30860-502 | 30860-511            |            |
| 3           | 132.6        | 84          | 340         | 20860-220                                                                                                          | 270         | 20860-109                                                                                                                                                     | 30860-503 | 30860-512            |            |
| 3           | 132.6        | 84          | 400         | 20860-221                                                                                                          | 330         | 20860-110                                                                                                                                                     | 30860-504 | 30860-513            |            |
| 3           | 132.6        | 84          | 460         | 20860-222                                                                                                          | 390         | 20860-111                                                                                                                                                     | 30860-505 | 30860-514            |            |
| 4           | 177.0        | 84          | 280         | 20860-228                                                                                                          | 210         | 20860-108                                                                                                                                                     | 30860-502 | 30860-511            |            |
| 4           | 177.0        | 84          | 340         | 20860-229                                                                                                          | 270         | 20860-109                                                                                                                                                     | 30860-503 | 30860-512            |            |
| 4           | 177.0        | 84          | 400         | 20860-230                                                                                                          | 330         | 20860-110                                                                                                                                                     | 30860-504 | 30860-513            |            |
| 4           | 177.0        | 84          | 460         | 20860-231                                                                                                          | 390         | 20860-111                                                                                                                                                     | 30860-505 | 30860-514            |            |
| 5           | 221.5        | 84          | 460         | 20860-240                                                                                                          | 390         | 20860-111                                                                                                                                                     | 30860-505 | 30860-514            |            |



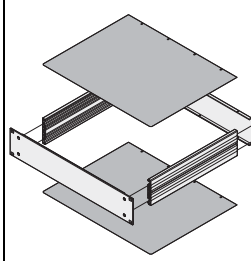
h = clear height (overall) (H - 8.1 mm)  
b = clear installation width = 403 mm



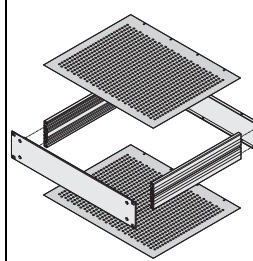
1 x Al front panel, 3 mm;  
2 x extruded Al side panels;  
1 x Al rear panel, 2 mm,  
incl. fixing material kit



Al plate, 2 mm;  
threaded insert, St, 2 mm,  
zinc-plated, height 7 mm,  
length 431.3 mm,  
M3 hole clearance  
1 HP = 5.08 mm;  
for heavy equipment



is inserted into the basic kit,  
Al, 1 mm, passivated;  
please order EMC gasketing  
kit separately

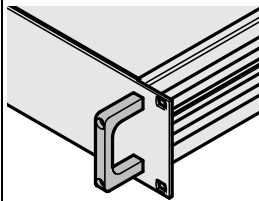
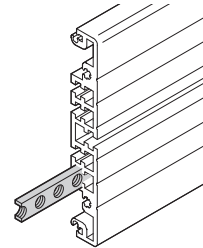
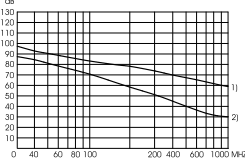



is inserted into the basic kit,  
Al, 1 mm, passivated;  
hole diameter 4 mm,  
perforation ratio 58 %

# 19" chassis - *multipacPRO* ServicePLUS

Individual components 19" chassis for non-standardised assemblies

## Order Information

|             |              |             |               | Front handles<br><br>06002052<br>Al extrusion, anodised,<br>incl. assembly kit<br>see page<br>5.108 | Threaded insert M3 for<br>extruded side panel<br><br>06007051<br>St, 2 mm, zinc-plated,<br>height 7 mm,<br>length 431.3 mm,<br>M3 hole clearance<br>1 HP = 5.08 mm | EMC gasketing kit<br>Shielding upgrade of<br>approx. 30 dB<br><br>esa44237<br>Gasket 2100 mm,<br>silicone/nickel, for contacting<br>side panel/ top cover and<br>base plate;<br>sawtooth gasket 400 mm;<br>stainless steel, for contacting<br>front panel/ top cover and<br>base plate | Assembly kit<br>for telescopic slides<br><br>06094004<br>Assembly kit and adaptor<br>bracket for the<br>cabinets VARISTAR,<br>eurorack, minirack;<br>for mounting the<br>19in. chassis on<br>telescopic slides;<br>please order telescopic slides<br>separately<br>see page<br>6.125 |
|-------------|--------------|-------------|---------------|--------------------------------------------------------------------------------------------------------------------------------------------------------------------------------------|-----------------------------------------------------------------------------------------------------------------------------------------------------------------------------------------------------------------------------------------------------|--------------------------------------------------------------------------------------------------------------------------------------------------------------------------------------------------------------------------------------------------------------------------------------------------------------------------------------------------------------------------|-------------------------------------------------------------------------------------------------------------------------------------------------------------------------------------------------------------------------------------------------------------------------------------------------------------------------------------------------------------------------|
| Height<br>U | Height<br>mm | Width<br>HP | Depth D<br>mm | PU 2 pieces                                                                                                                                                                          | 1 piece                                                                                                                                                                                                                                             | PU 1 kit                                                                                                                                                                                                                                                                                                                                                                 | PU 1 kit                                                                                                                                                                                                                                                                                                                                                                |
| 1           | 43.7         | 84          | 220           | 20860-256                                                                                                                                                                            | 30821-589                                                                                                                                                                                                                                           | 20860-130                                                                                                                                                                                                                                                                                                                                                                | 20860-131                                                                                                                                                                                                                                                                                                                                                               |
| 1           | 43.7         | 84          | 280           |                                                                                                                                                                                      |                                                                                                                                                                                                                                                     |                                                                                                                                                                                                                                                                                                                                                                          |                                                                                                                                                                                                                                                                                                                                                                         |
| 1           | 43.7         | 84          | 340           |                                                                                                                                                                                      |                                                                                                                                                                                                                                                     |                                                                                                                                                                                                                                                                                                                                                                          |                                                                                                                                                                                                                                                                                                                                                                         |
| 2           | 88.1         | 84          | 220           | 20860-257                                                                                                                                                                            | 30821-589                                                                                                                                                                                                                                           | 20860-130                                                                                                                                                                                                                                                                                                                                                                | 20860-131                                                                                                                                                                                                                                                                                                                                                               |
| 2           | 88.1         | 84          | 280           |                                                                                                                                                                                      |                                                                                                                                                                                                                                                     |                                                                                                                                                                                                                                                                                                                                                                          |                                                                                                                                                                                                                                                                                                                                                                         |
| 2           | 88.1         | 84          | 340           |                                                                                                                                                                                      |                                                                                                                                                                                                                                                     |                                                                                                                                                                                                                                                                                                                                                                          |                                                                                                                                                                                                                                                                                                                                                                         |
| 3           | 132.6        | 84          | 280           | 20860-258                                                                                                                                                                            | 30821-589                                                                                                                                                                                                                                           | 20860-130                                                                                                                                                                                                                                                                                                                                                                | 20860-131                                                                                                                                                                                                                                                                                                                                                               |
| 3           | 132.6        | 84          | 340           |                                                                                                                                                                                      |                                                                                                                                                                                                                                                     |                                                                                                                                                                                                                                                                                                                                                                          |                                                                                                                                                                                                                                                                                                                                                                         |
| 3           | 132.6        | 84          | 400           |                                                                                                                                                                                      |                                                                                                                                                                                                                                                     |                                                                                                                                                                                                                                                                                                                                                                          |                                                                                                                                                                                                                                                                                                                                                                         |
| 3           | 132.6        | 84          | 460           | 20860-259                                                                                                                                                                            | 30821-589                                                                                                                                                                                                                                           | 20860-130                                                                                                                                                                                                                                                                                                                                                                | 20860-131                                                                                                                                                                                                                                                                                                                                                               |
| 4           | 177.0        | 84          | 280           |                                                                                                                                                                                      |                                                                                                                                                                                                                                                     |                                                                                                                                                                                                                                                                                                                                                                          |                                                                                                                                                                                                                                                                                                                                                                         |
| 4           | 177.0        | 84          | 340           |                                                                                                                                                                                      |                                                                                                                                                                                                                                                     |                                                                                                                                                                                                                                                                                                                                                                          |                                                                                                                                                                                                                                                                                                                                                                         |
| 4           | 177.0        | 84          | 400           | 20860-260                                                                                                                                                                            | 30821-589                                                                                                                                                                                                                                           | 20860-130                                                                                                                                                                                                                                                                                                                                                                | 20860-131                                                                                                                                                                                                                                                                                                                                                               |
| 4           | 177.0        | 84          | 460           |                                                                                                                                                                                      |                                                                                                                                                                                                                                                     |                                                                                                                                                                                                                                                                                                                                                                          |                                                                                                                                                                                                                                                                                                                                                                         |
| 5           | 221.5        | 84          | 460           |                                                                                                                                                                                      |                                                                                                                                                                                                                                                     |                                                                                                                                                                                                                                                                                                                                                                          |                                                                                                                                                                                                                                                                                                                                                                         |

### Note

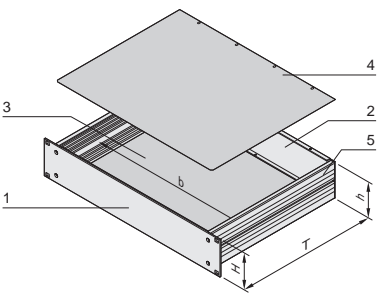
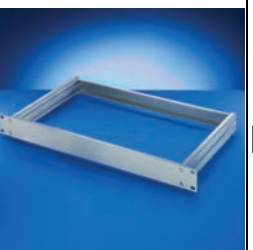
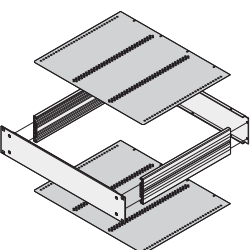
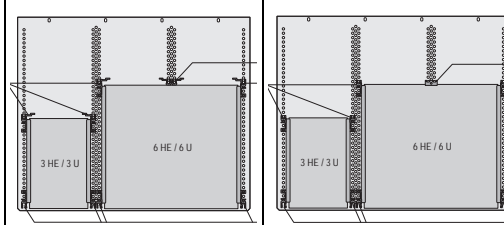
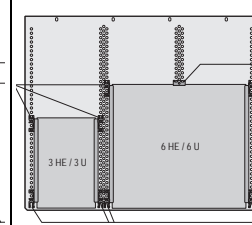
- Further sizes available on request
- Al extrusion side panels up to 1000 mm length available on request
- Telescopic slides see page 6.125

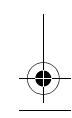
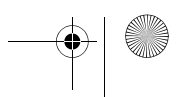
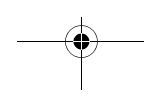
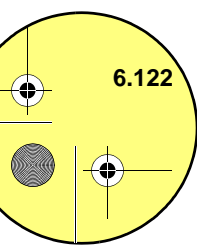
# 19" chassis - *multipacPRO* ServicePLUS

## Individual components 19" chassis for standardised 19" assemblies

- Please select
  - Height and depth of basic kit (1, 2 U, items 1+2+5)
  - Top cover/base plate for horizontal board mounting (items 3+4)
  - Internal mounting for connector or backplane
  - Front handles
  - EMC gasketing kit
  - Telescopic slides
- In accordance with IEC 60297-3-100, 101, 105

### Order Information

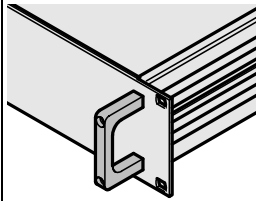
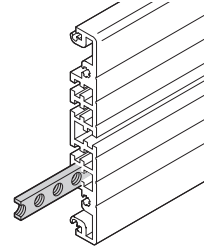
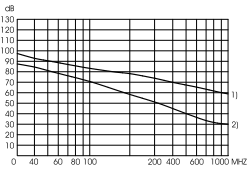

| <br><b>h = clear height (overall) (H - 8.1 mm)</b><br><b>b = clear installation width = 403 mm</b> |           |          |            | <br><b>Basic kit</b><br>06002004 | <br><b>Top cover/base plate</b><br>06008053 | <br><b>Mounting of euroboards for EN 60603 connectors</b><br>06003050 | <br><b>for insulated backplane assembly</b><br>06003051 |
|-------------------------------------------------------------------------------------------------------------------------------------------------------------------------------------|-----------|----------|------------|-------------------------------------------------------------------------------------------------------------------|------------------------------------------------------------------------------------------------------------------------------|---------------------------------------------------------------------------------------------------------------------------------------------------------|--------------------------------------------------------------------------------------------------------------------------------------------|
| Height U                                                                                                                                                                            | Height mm | Width HP | Depth D mm | PU 1 kit                                                                                                          | 1 piece                                                                                                                      | PU 1 kit                                                                                                                                                | PU 1 kit                                                                                                                                   |
| 1                                                                                                                                                                                   | 43.7      | 84       | 220        | 20860-201                                                                                                         | 30860-519                                                                                                                    | 20860-115                                                                                                                                               | 20860-116                                                                                                                                  |
| 1                                                                                                                                                                                   | 43.7      | 84       | 280        | 20860-202                                                                                                         | 30860-520                                                                                                                    | 20860-115                                                                                                                                               | 20860-116                                                                                                                                  |
| 1                                                                                                                                                                                   | 43.7      | 84       | 340        | 20860-203                                                                                                         | 30860-521                                                                                                                    | 20860-115                                                                                                                                               | 20860-116                                                                                                                                  |
| 2                                                                                                                                                                                   | 88.1      | 84       | 220        | 20860-210                                                                                                         | 30860-519                                                                                                                    | 20860-117                                                                                                                                               | 20860-118                                                                                                                                  |
| 2                                                                                                                                                                                   | 88.1      | 84       | 280        | 20860-211                                                                                                         | 30860-520                                                                                                                    | 20860-117                                                                                                                                               | 20860-118                                                                                                                                  |
| 2                                                                                                                                                                                   | 88.1      | 84       | 340        | 20860-212                                                                                                         | 30860-521                                                                                                                    | 20860-117                                                                                                                                               | 20860-118                                                                                                                                  |



# 19" chassis - *multipacPRO* ServicePLUS

Individual components 19" chassis for standardised 19" assemblies

## Order Information

| Height U | Height mm | Width HP | Depth D mm | Front handles                                                                                                                                                      | Threaded insert M3 for extruded side panel                                                                                                                                                     | EMC gasketing kit for shielding upgrade of approx. 30 dB                                                                                                                                                                                                                                      | Assembly kit for fixing on telescopic slides                                                                                                                                                                                                                                                             |
|----------|-----------|----------|------------|--------------------------------------------------------------------------------------------------------------------------------------------------------------------|------------------------------------------------------------------------------------------------------------------------------------------------------------------------------------------------|-----------------------------------------------------------------------------------------------------------------------------------------------------------------------------------------------------------------------------------------------------------------------------------------------|----------------------------------------------------------------------------------------------------------------------------------------------------------------------------------------------------------------------------------------------------------------------------------------------------------|
|          |           |          |            |  <p>06002052</p> <p>Al extrusion, anodised, incl. assembly kit see page 5.108</p> |  <p>06007051</p> <p>St, 2 mm, zinc-plated, height 7 mm, length 431.3 mm, M3 hole clearance 1 HP = 5.08 mm</p> |  <p>esa44237</p> <p>Gasket 2100 mm, silicone/nickel, for contacting side panel/ top cover and base plate; sawtooth gasket 400 mm; stainless steel, for contacting front panel/ top cover and base plate</p> |  <p>06094004</p> <p>Assembly kit and adaptor bracket for the cabinets VARISTAR, eurorack, minirack; for mounting the 19in. chassis on telescopic slides; please order telescopic slides separately see page 6.125</p> |
|          |           |          |            | <b>PU 2 pieces</b>                                                                                                                                                 | <b>1 piece</b>                                                                                                                                                                                 | <b>PU 1 kit</b>                                                                                                                                                                                                                                                                               | <b>PU 1 kit</b>                                                                                                                                                                                                                                                                                          |
| 1        | 43.7      | 84       | 220        | 20860-256                                                                                                                                                          | 30821-589                                                                                                                                                                                      | 20860-130                                                                                                                                                                                                                                                                                     | 20860-131                                                                                                                                                                                                                                                                                                |
| 1        | 43.7      | 84       | 280        |                                                                                                                                                                    |                                                                                                                                                                                                |                                                                                                                                                                                                                                                                                               |                                                                                                                                                                                                                                                                                                          |
| 1        | 43.7      | 84       | 340        |                                                                                                                                                                    |                                                                                                                                                                                                |                                                                                                                                                                                                                                                                                               |                                                                                                                                                                                                                                                                                                          |
| 2        | 88.1      | 84       | 220        | 20860-257                                                                                                                                                          |                                                                                                                                                                                                |                                                                                                                                                                                                                                                                                               |                                                                                                                                                                                                                                                                                                          |
| 2        | 88.1      | 84       | 280        |                                                                                                                                                                    |                                                                                                                                                                                                |                                                                                                                                                                                                                                                                                               |                                                                                                                                                                                                                                                                                                          |
| 2        | 88.1      | 84       | 340        |                                                                                                                                                                    |                                                                                                                                                                                                |                                                                                                                                                                                                                                                                                               |                                                                                                                                                                                                                                                                                                          |

### Note

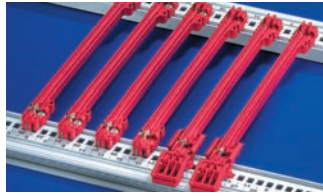
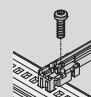
- Further sizes available on request
- Al extrusion side panels up to 1000 mm length available on request
- Telescopic slides see page 6.125



# 19" chassis - *multipacPRO* ServicePLUS

Guide rails for boards without front panels, one-piece, groove width 2 mm

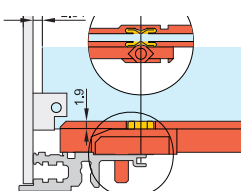
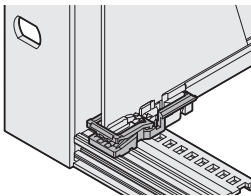
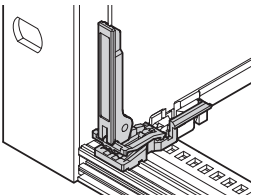
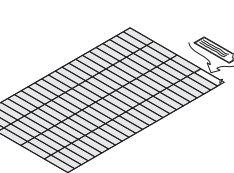
## Order Information

|                                                                                                                       |                     |                                                                                                                             |                        |
|-----------------------------------------------------------------------------------------------------------------------|---------------------|-----------------------------------------------------------------------------------------------------------------------------|------------------------|
| <b>Assembly</b><br>- can be clipped into horizontal rails in Al extrusion<br>- can be clipped into 1.5 mm thick plate |                     | <b>Guide rails "Accessories"</b><br>       |                        |
| <b>Storage temperature</b><br>from -40 °C ... +130 °C                                                                 |                     | up to 280 mm length, PBT, UL 94 V-0;<br>> 280 mm length, multi-piece, end piece PBT, UL 94 V-0, middle section Al extrusion |                        |
| <b>Board length</b>                                                                                                   | <b>Groove width</b> | <b>Colour</b>                                                                                                               |                        |
| <b>mm</b>                                                                                                             | <b>mm</b>           | <b>mm</b>                                                                                                                   | <b>PU 10 pieces 2)</b> |
| 160                                                                                                                   | 2                   | red                                                                                                                         | <b>24560-373</b>       |
| 220                                                                                                                   | 2                   | red                                                                                                                         | 24560-374              |
| 280                                                                                                                   | 2                   | red                                                                                                                         | 24560-375              |
| 340                                                                                                                   | 2                   | red                                                                                                                         | 24560-376              |
| Retention screw, PU 100 pieces<br>   |                     | 24560-141                                                                                                                   |                        |

2) Part no. includes one packing unit (PU); delivery is exclusively made in PU

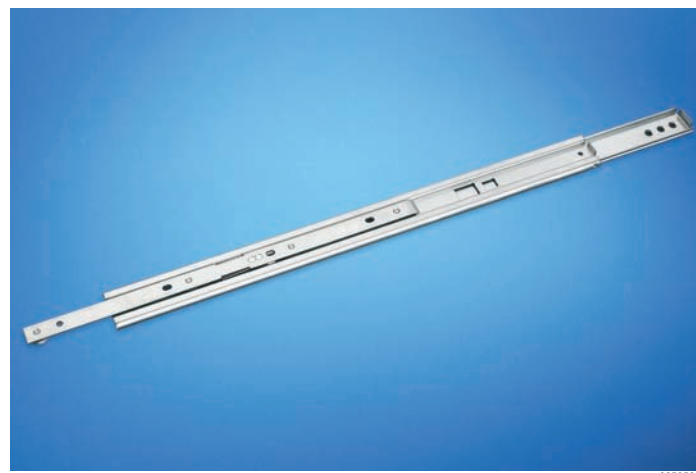
## Guide rail accessories

## Order Information

|                                                                                                                                                                                                                                                                                                                        |                                                                                                                                                                                                                                                                                                                                  |                                                                                                                                                                                                                                                                                                                                                                        |                                                                                                                                                                                                                                                                                                |
|------------------------------------------------------------------------------------------------------------------------------------------------------------------------------------------------------------------------------------------------------------------------------------------------------------------------|----------------------------------------------------------------------------------------------------------------------------------------------------------------------------------------------------------------------------------------------------------------------------------------------------------------------------------|------------------------------------------------------------------------------------------------------------------------------------------------------------------------------------------------------------------------------------------------------------------------------------------------------------------------------------------------------------------------|------------------------------------------------------------------------------------------------------------------------------------------------------------------------------------------------------------------------------------------------------------------------------------------------|
| <b>ESD clip for guide rails</b><br> <p>04503050</p> <p>Spring steel, tin-plated, ensures conductive contact between board and horizontal rail, on both the solder side and the component side</p> <p>PU 50 pieces<br/>24560-255</p> | <b>Board locking for PCBs without front panel</b><br> <p>04805050</p> <p>PBT, UL 94 V-0, red, to fix the PCB in the subrack (also slot 1), can also be used without board handle, minimum distance 3 HP</p> <p>PU 10 pieces<br/>24560-377</p> | <b>Board handle for board locking</b><br> <p>04805051</p> <p>PBT, UL 94 V-0, red, insertion/extraction function with connection to board locking (also slot 1), mounting directly behind front panel (upper and lower), minimum distance 3 HP</p> <p>PU 10 pieces<br/>24560-378</p> | <b>Identification strips for board handle</b><br> <p>06108076</p> <p>Polyester film, 31 x 4 mm, self-adhesive, white/matt (1 A4 sheet contains 438 pieces) PBT, UL 94 V-0</p> <p>1 piece<br/>60817-228</p> |
|------------------------------------------------------------------------------------------------------------------------------------------------------------------------------------------------------------------------------------------------------------------------------------------------------------------------|----------------------------------------------------------------------------------------------------------------------------------------------------------------------------------------------------------------------------------------------------------------------------------------------------------------------------------|------------------------------------------------------------------------------------------------------------------------------------------------------------------------------------------------------------------------------------------------------------------------------------------------------------------------------------------------------------------------|------------------------------------------------------------------------------------------------------------------------------------------------------------------------------------------------------------------------------------------------------------------------------------------------|

# 19" chassis - *multipacPRO* ServicePLUS

## Universal 1 U telescopic slide



- Static load-carrying capacity per pair 23 - 39 kg
- Lateral mounting on the 19" uprights (19" plane remains free for fixing the extension/drawer)
- Can be removed
- Extension length > 100 %
- Rail width  $k = 9.7$  mm, max. installation width of extension/drawer  $w = 429$  mm

### Delivery comprises

| Item | Qty | Description                       |
|------|-----|-----------------------------------|
| 1    | 2   | Telescopic slide, St, zinc-plated |

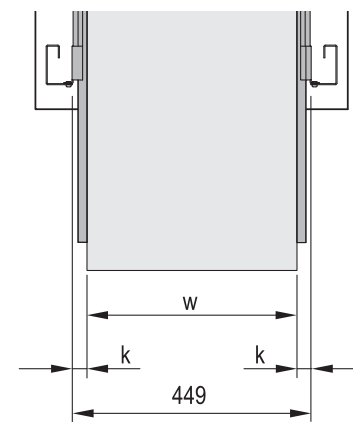
### Order Information

| Length L | Extension length Y | Load-carrying capacity P | Part no.  |
|----------|--------------------|--------------------------|-----------|
| mm       | mm                 | kg                       |           |
| 356      | 381                | 39                       | 20110-090 |
| 406      | 432                | 36                       | 20110-091 |
| 457      | 483                | 34                       | 20110-092 |
| 508      | 533                | 32                       | 20110-093 |
| 559      | 584                | 29                       | 20110-094 |
| 610      | 635                | 27                       | 20110-095 |
| 660      | 686                | 23                       | 20110-096 |
| 711      | 737                | 23                       | 20110-097 |

### Note

- For mounting into Schroff cabinets please order assembly kit separately, see page 6.123

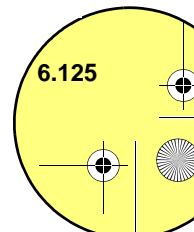
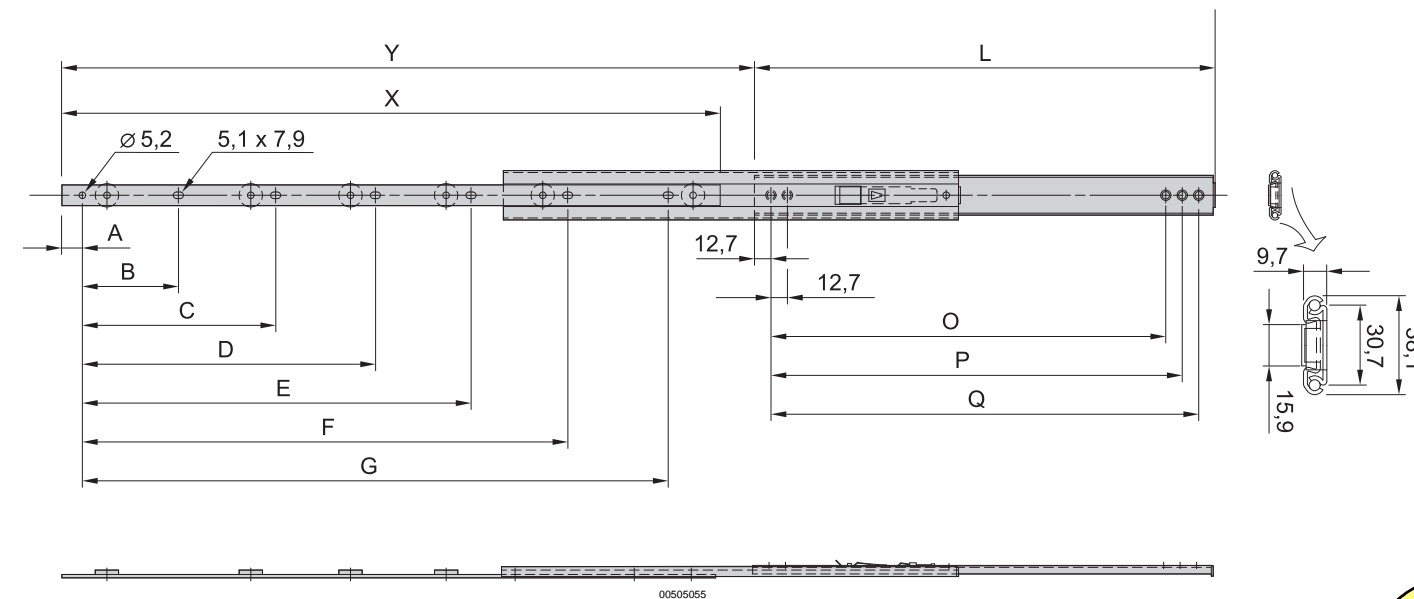
For further information [www.schroff.biz/oneclick](http://www.schroff.biz/oneclick)  
oneClick search code = Part no.



$k$  = rail width,  $w$  = max. installation width

### Dimensions table

| L   | Internal part |      |       |       |       |       |       |       | External part |       |       |
|-----|---------------|------|-------|-------|-------|-------|-------|-------|---------------|-------|-------|
|     | A             | B    | C     | D     | E     | F     | G     | X     | O             | P     | Q     |
| 356 | 29.5          | 92.1 | 184.2 | 276.2 | -     | -     | -     | 349.3 | 304.6         | 317.3 | 330.0 |
| 406 | 29.5          | 92.1 | 184.2 | 276.2 | -     | -     | -     | 349.3 | 355.4         | 368.1 | 380.8 |
| 457 | 29.5          | 92.1 | 184.2 | 276.2 | -     | -     | -     | 349.3 | 406.4         | 419.1 | 431.8 |
| 508 | 89.9          | 92.1 | 184.2 | 276.2 | 368.3 | -     | -     | 501.7 | 457.4         | 470.1 | 482.8 |
| 559 | 89.9          | 92.1 | 184.2 | 276.2 | 368.3 | -     | -     | 501.7 | 508.1         | 520.8 | 533.5 |
| 610 | 89.9          | 92.1 | 184.2 | 276.2 | 368.3 | -     | -     | 501.7 | 558.6         | 571.3 | 584.0 |
| 660 | 7.4           | 92.1 | 184.2 | 276.2 | 368.3 | 460.4 | 552.4 | 603.3 | 609.4         | 622.1 | 634.8 |
| 711 | 7.4           | 92.1 | 184.2 | 276.2 | 368.3 | 460.4 | 552.4 | 603.3 | 660.2         | 672.9 | 685.6 |



# 19" chassis - *multipacPRO* ServicePLUS

## Universal 2 U, slim telescopic slide



- Static load-carrying capacity per pair 46 - 57 kg
- Lateral mounting on the 19" uprights (19" plane remains free for fixing the extension/drawer)
- Locking at full extension
- Extension length > 110 %
- Rail width  $k = 9,7$  mm, max. installation width of extension/drawer  $w = 429$  mm

### Delivery comprises

| Item | Qty | Description                       |
|------|-----|-----------------------------------|
| 1    | 2   | Telescopic slide, St, zinc-plated |

### Order Information

| Length L | Extension length Y | Load-carrying capacity P | Part no.  |
|----------|--------------------|--------------------------|-----------|
| mm       | mm                 | kg                       |           |
| 356      | 432                | 57                       | 20110-071 |
| 406      | 483                | 55                       | 20110-072 |
| 457      | 533                | 55                       | 20110-073 |
| 508      | 584                | 55                       | 20110-074 |
| 559      | 635                | 46                       | 20110-075 |
| 584      | 660                | 46                       | 20110-076 |
| 610      | 686                | 46                       | 20110-077 |

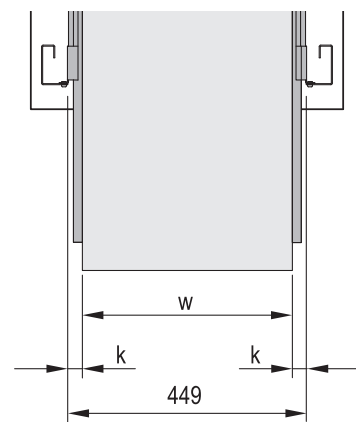
### Accessories

**Assembly kit for VARISTAR**, for assembly of 2 telescopic slides, PU 1 kit 21120-161

**Assembly kit for eurorack**, for assembly of 2 telescopic slides, PU 1 kit 21120-162

**Telescopic slides mounting kit for NOVASTAR**, to mount 2 telescopic slides, PU 1 kit 21120-163

**Delivery: supplied loose with cabinet or frame** **Part no./35**



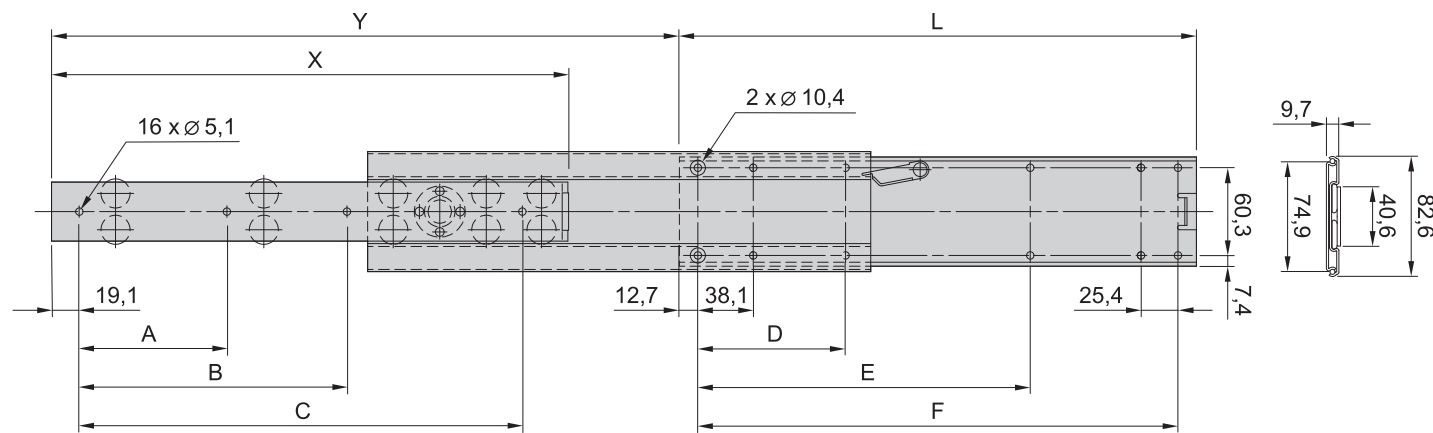
$k$  = rail width,  $w$  = max. installation width

### Dimensions table

| Length L | Internal part |       |       |       | External part |       |       |
|----------|---------------|-------|-------|-------|---------------|-------|-------|
|          | A             | w     | C     | X     | D             | E     | F     |
| 356      | 101.6         | 184.2 | 304.8 | 356.0 | 101.6         | 228.6 | 330.2 |
| 406      | 127.0         | 209.6 | 355.6 | 406.0 | 127.0         | 254.0 | 381.0 |
| 457      | 127.0         | 235.0 | 406.4 | 457.0 | 152.4         | 279.4 | 431.8 |
| 508      | 152.4         | 260.4 | 457.2 | 508.0 | 152.4         | 330.2 | 482.6 |
| 559      | 203.2         | 412.8 | 508.0 | 559.0 | 177.8         | 355.6 | 533.4 |
| 584      | 203.2         | 431.8 | 533.4 | 584.0 | 177.8         | 381.0 | 558.8 |
| 610      | 203.2         | 438.2 | 558.8 | 610.0 | 203.2         | 381.0 | 584.2 |

### Note

- To mount on 19" plane please order assembly kit separately
- Universal telescopic rails can also be fitted without additional components in non-standard applications, thus also in other than 19" cabinets



00505059

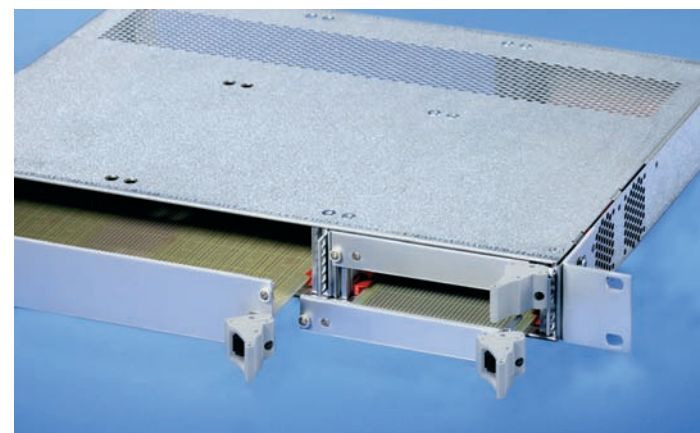
19" chassis - **multipacPRO** ServicePLUS

Customised solutions



06002006

Application: Different cut-outs



06002007

Application: Combined 3 U and 6 U assembly



06002005

Application: 2 U version with 2 x 3 U assembly



06008006

Application: 1 U multipacPRO (pizza box) complete from steel plate; 19" brackets can be removed if required



06108007

Application: 1 U multipacPRO complete from steel plate; front panel in aluminium with cut-outs



06101008

Application: 1 U multipacPRO complete from steel plate; printed 19" front panel in aluminium with cut-outs

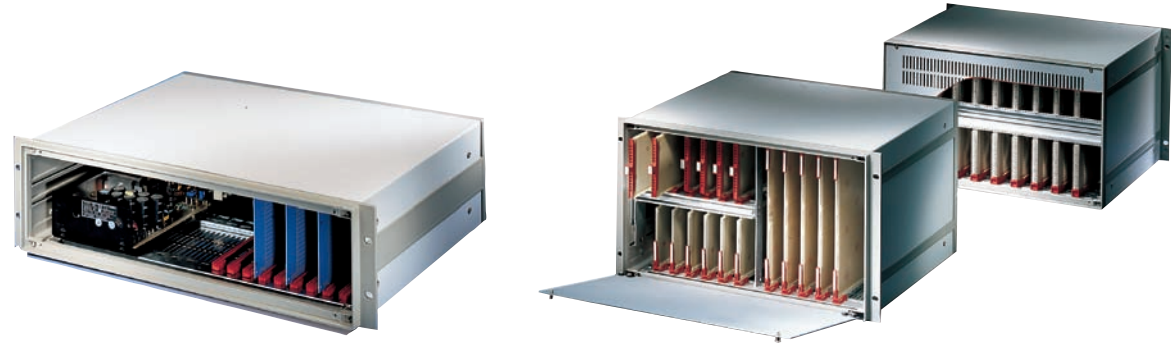


- Overview ..... 0
- Cabinets ..... 1
- Wall mounted cases ..... 2
- Accessories for cabinets and wall mounted cases 3
- Climate control 4
- Desk-top cases 5
- Subracks/  
19" chassis ... 6**
- Front panels, plug-in units .. 7
- Systems ..... 8
- Power supply units ..... 9
- Backplanes .. 10
- Connectors, front panel component system ..... 11
- Appendix .... 12

19" chassis - *inpac*



02192001



02192005

02196001

Robust 19" chassis, also for board assembly

Assembly with boards and hinged front panel

**Standards**

- External dimensions in accordance with:  
IEC 60297-3-101
- Ingress protection IP 20 to IEC 60529
- GND/earthing connectors to:  
DIN EN 50178/VDE 0160  
DIN EN 60950/VDE 0805  
DIN EN 61010-1/VDE 0411 part 1  
DIN EN 61010-1A2/VDE 0411 part 1/A1



Downloads and further important information can be found on the Internet under [www.schroff.biz](http://www.schroff.biz)



### 19" chassis with high mechanical stability

- Also usable as desk-top case
- Robust cases from aluminium die-cast frames to front and rear
- Flexible assembly for standardised board formats or individually, e.g. for mounting plates
- Cost benefit with mounting service and custom processing in ServicePLUS



19" chassis/desk-top enclosure

- 2 U, 3 U, 4 U and 6 U heights

02192002



inpac built into 19" cabinet

02192003



30407004

### ServicePLUS from page 6.118

- e.g. individual configuration and assembly from 1 piece
- e.g. printing
- e.g. cut-outs in front or rear panels or cover plates
- e.g. modification (special colours)
- e.g. custom solutions (special depths, electromagnetically shielded applications)

[www.schroff.biz/ServicePLUS](http://www.schroff.biz/ServicePLUS)

### inpac

19" chassis ..... 6.130

### Accessories

Full-width front panels ..... 6.131  
Full-width rear panels ..... 6.131  
Support rails ... 6.132  
Horizontal rails .. 6.132  
Front handles ... 6.133  
GND/earthing kit ..... 6.133  
Guide rails ..... 6.134  
Dimensions ..... 6.136

ServicePLUS. 6.118

# 19" chassis - *inpac*

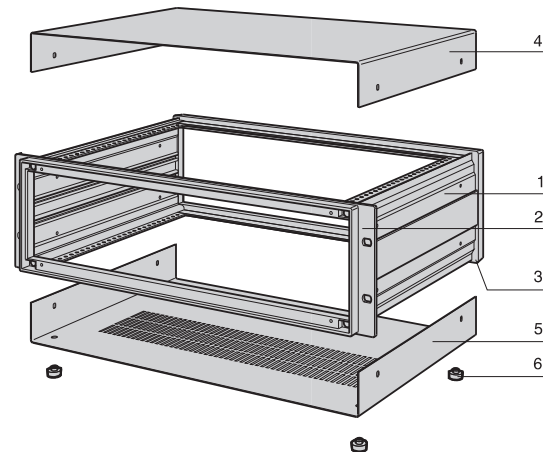
## 19" chassis



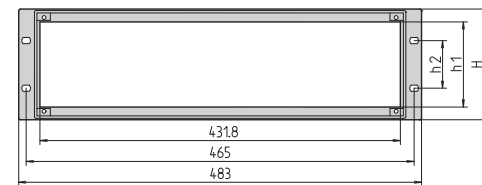
- For assembly with 19" components or individually with mounting plates
- Three rows ventilation slots in base for air inlet

### Delivery comprises (Kit)

| Item | Qty | Description                                                                                                       |
|------|-----|-------------------------------------------------------------------------------------------------------------------|
| 1    | 2   | Side panel, Al extrusion, RAL 7030, at 6 U: 2 Al corner profiles, 1 divider plate (steel plate)                   |
| 2    | 1   | Front frame, Al die-cast, RAL 7030, rear side with counterbores for drill holes to mount handles and front panels |
| 3    | 1   | Rear frame, Al die-cast, RAL 7030                                                                                 |
| 4    | 1   | Cover plate, St, 1 mm, RAL 7035, plastic-coated, with GND/earthing connection                                     |
| 5    | 1   | Base plate, St, 1 mm, RAL 7035, plastic-coated, with GND/earthing connection                                      |
| 6    | 4   | Case foot with anti-slip protection, PC, UL 94 V-0                                                                |
| 7    | 1   | Assembly kit                                                                                                      |



02192006



ipa30632

IPA30635

### Order Information

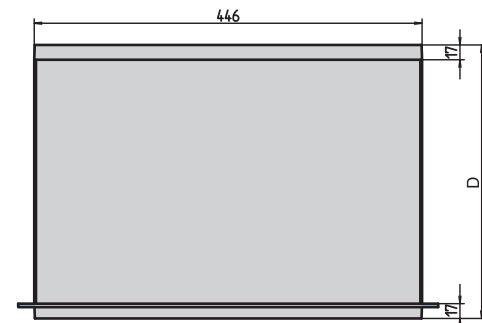
| Height H | Height H | h     | h1    | h2    | Depth D | Part no.  |
|----------|----------|-------|-------|-------|---------|-----------|
| U        | mm       | mm    | mm    | mm    | mm      |           |
| 2        | 88.0     | 86.0  | 57.5  | 76.2  | 254.5   | 10828-071 |
| 2        | 88.0     | 86.0  | 57.5  | 76.2  | 314.5   | 10828-072 |
| 2        | 88.0     | 86.0  | 57.5  | 76.2  | 374.5   | 10828-073 |
| 3        | 132.5    | 130.5 | 102.0 | 57.1  | 254.5   | 10828-051 |
| 3        | 132.5    | 130.5 | 102.0 | 57.1  | 314.5   | 10828-052 |
| 3        | 132.5    | 130.5 | 102.0 | 57.1  | 374.5   | 10828-053 |
| 3        | 132.5    | 130.5 | 102.0 | 57.1  | 434.5   | 10828-054 |
| 4        | 177.0    | 174.5 | 146.5 | 101.6 | 254.5   | 10828-056 |
| 4        | 177.0    | 174.5 | 146.5 | 101.6 | 314.5   | 10828-057 |
| 4        | 177.0    | 174.5 | 146.5 | 101.6 | 374.5   | 10828-058 |
| 4        | 177.0    | 174.5 | 146.5 | 101.6 | 434.5   | 10828-059 |
| 6        | 265.9    | 263.5 | 235.4 | 190.5 | 374.5   | 10828-068 |
| 6        | 265.9    | 263.5 | 235.4 | 190.5 | 434.5   | 10828-069 |

### Note

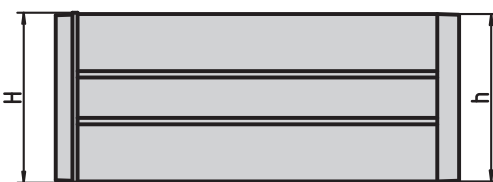
- Max. installation space when fitting 19" components is 75 HP
- Scope of delivery includes screws to fix rear and front panels



For further information [www.schroff.biz/oneclick](http://www.schroff.biz/oneclick)  
oneClick search code = Part no.



IPA30704



IPA30706



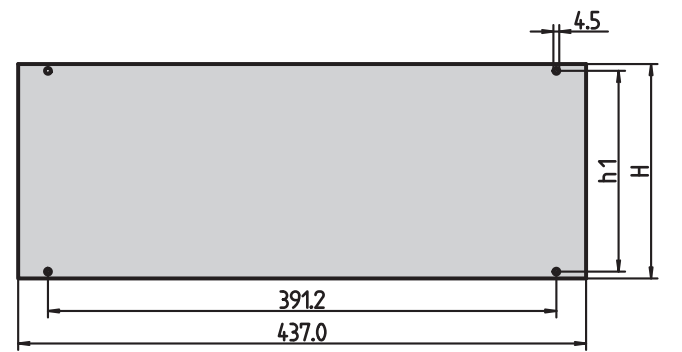
ServicePLUS see page 6.118

6.130 Main Catalogue  
E 10/2012

Part number in bold face type: ready for despatch within 2 working days  
Part number in normal type: ready for despatch within 10 working days

# 19" chassis - *inpac*

## Front panel



IP442082

### Delivery comprises

| Item | Qty | Description                                            |
|------|-----|--------------------------------------------------------|
| 1    | 1   | Front panel, Al, 2.5 mm, anodised, cut edges untreated |

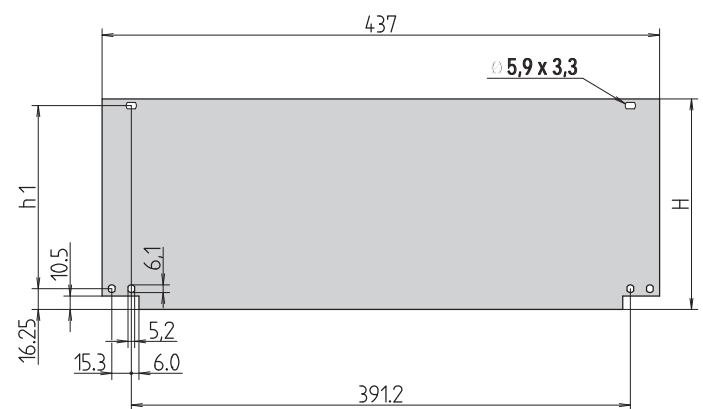
### Order Information

| Height U | Height H mm | h1 mm | Part no.  |
|----------|-------------|-------|-----------|
| 2        | 76.0        | 65.6  | 30828-055 |
| 3        | 120.5       | 110.0 | 30828-058 |
| 4        | 165.0       | 154.5 | 30828-061 |
| 6        | 253.8       | 243.4 | 30828-067 |

### Note

- The assembly kit for the front panel is included with the 19" chassis

## Front panel, bottom-hinged



IP442083

### Delivery comprises

| Item | Qty | Description                                                    |
|------|-----|----------------------------------------------------------------|
| 1    | 1   | Front panel, hinged, Al, 2.5 mm, anodised, cut edges untreated |

### Order Information

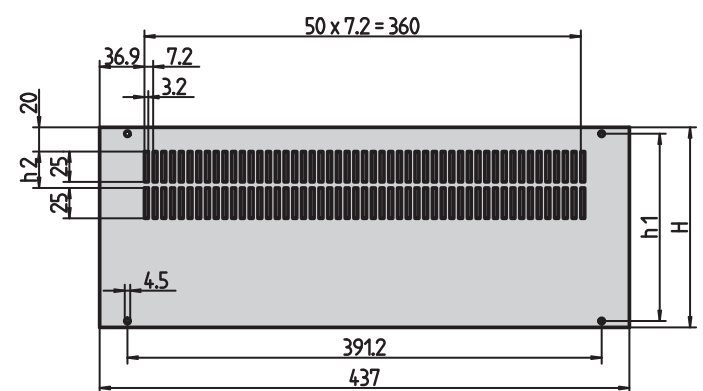
| Height U | Height H mm | h1 mm | Part no.  |
|----------|-------------|-------|-----------|
| 2        | 76.0        | 54.5  | 30828-085 |
| 3        | 120.5       | 99.0  | 30828-088 |
| 4        | 165.0       | 143.5 | 30828-091 |
| 6        | 253.8       | 232.3 | 30828-097 |

**Hinge for front panel PPE, UL 94 V-0, PU 1 kit (includes fixing material kit and 2 collar screws)** 20828-028

### Note

- Please order hinge for front panel separately

## Rear panel with ventilation openings



IP442086

### Delivery comprises (kit)

| Item | Qty | Description                                                               |
|------|-----|---------------------------------------------------------------------------|
| 1    | 1   | Rear panel, incl. assembly kit, Al, 2.5 mm, anodised, cut edges untreated |

### Order Information

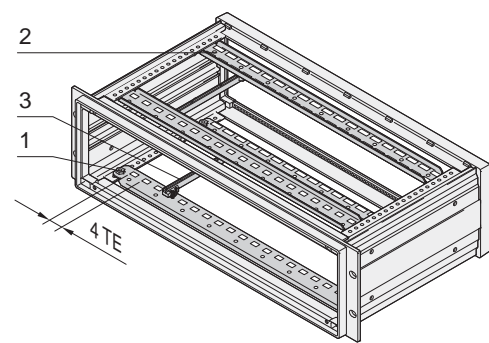
| Height U | Height H mm | h1 mm | h2 mm | Part no.  |
|----------|-------------|-------|-------|-----------|
| 2        | 76.0        | 65.6  | -     | 30828-070 |
| 3        | 120.5       | 110.0 | -     | 30828-073 |
| 4        | 165.0       | 154.5 | -     | 30828-076 |
| 6        | 253.8       | 243.4 | 30    | 30828-082 |

### Note

- The scope of delivery of the 19" chassis includes an assembly kit for the front panel

# 19" chassis - *inpac*

## Support rail for guide rails



- 4 support rails to fix PCBs with guide rails
- Support rail can also be used to fix a custom mounting plate

### Order Information

| Item | Description                                              | Part no.  |
|------|----------------------------------------------------------|-----------|
| 1    | front support rail, St, 1.5 mm, blue-passivated, 1 piece | 30828-165 |
| 2    | rear support rail, St, 1.5 mm, blue-passivated, 1 piece  | 30828-174 |


### Accessories

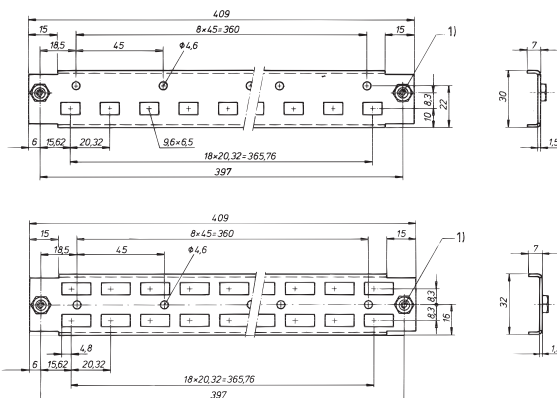
**Guide rail 160 mm** (Item 3), PBT, UL 94 V-0, with integrated fixture for connector to EN 60603 (DIN 41612), PU 1 pair 60817-078

**Guide rail 220 mm** (Item 3), PBT, UL 94 V-0, with integrated fixture for connector to EN 60603 (DIN 41612), PU 1 pair 60817-079

**Screw** for mounting of support rails, M4 x 8, flathead bolts with posidrive, PU 100 pieces 21100-677

- Guide rails see page 6.134

 For further information [www.schroff.biz/oneclick](http://www.schroff.biz/oneclick)  
oneClick search code = Part no.

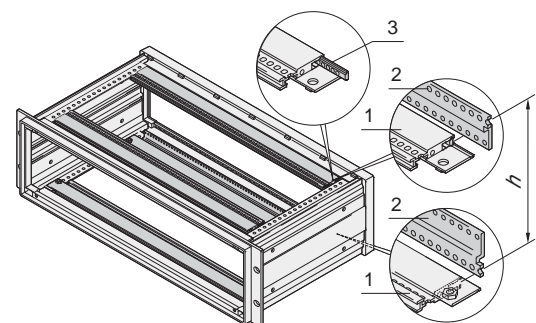


IPA30639

a3-306xx

Dimension drawing top: Front support rail,  
dimension drawing bottom: rear support rail;  
1) bush M4, pressed-in

## Horizontal rail for guide rails, backplane and connector mounting



- 4 horizontal rails to fix guide rails (for PCBs) and for backplane or connector mounting
- Useable width 75 HP

### Order Information

| Item | Description                                   | Qty/PU | Part no.  |
|------|-----------------------------------------------|--------|-----------|
| 1    | Horizontal rail 75 HP, Al extrusion, anodised | 1      | 30828-128 |

### Accessories

**Z-rail** (item 2), Al extrusion, anodised, 1 piece 30814-513

**Threaded insert** (item 3), St, zinc-plated (blue), 1 piece 30819-604

**Screw** to fix horizontal rails, M4 x 8, Pozidrive flathead screw, 100 pieces 21100-677

**Cheesehead screw with slot** M2.5 x 6, DIN 84, PU 100 pieces M2.5 x 6, DIN 84, 100 pieces 21100-146

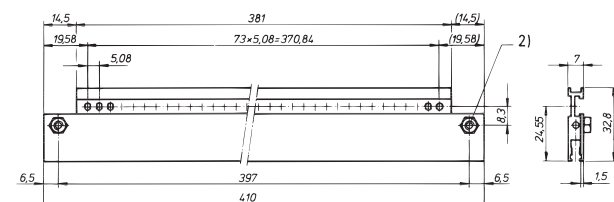
### Note

- Threaded inserts cannot be used at front
- For backplane mounting, threaded inserts are required in the rear horizontal rails
- For connector mounting, threaded inserts and Z-rails are required in the rear horizontal rails
- Guide rails see page 6.134

Item 1: horizontal rail, item 2: Z-rail, item 3: threaded insert

IPA30640

| h | Bolt-on dimension of backplane |
|---|--------------------------------|
| U | mm                             |
| 2 | 75.40                          |
| 3 | 119.80                         |
| 4 | 164.30                         |
| 6 | 252.90                         |

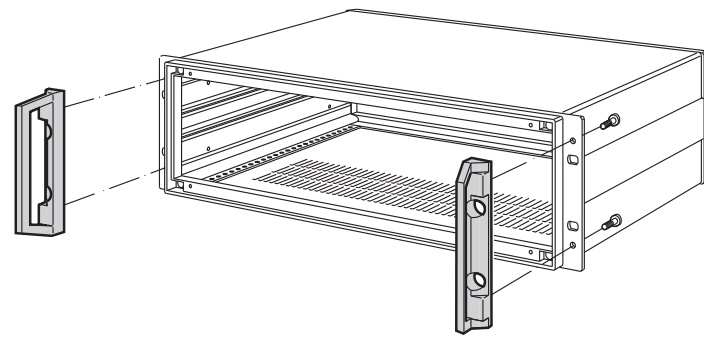


A4-587

2) bush M4, pressed-in

## 19" chassis - *inpac*

### Front handles



- Load-carrying capacity 35 kg per pair

#### Delivery comprises (kit)

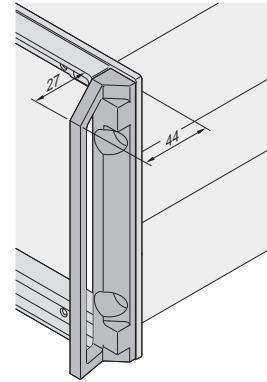
| Item | Qty | Description                                                            |
|------|-----|------------------------------------------------------------------------|
| 1    | 2   | Front handle, Al die-cast, powder-coated, RAL 7030, incl. assembly kit |

#### Order Information

| Height   | Part no.  |
|----------|-----------|
| <b>U</b> |           |
| 3        | 20828-127 |
| 4        | 20828-128 |
| 6        | 20828-129 |

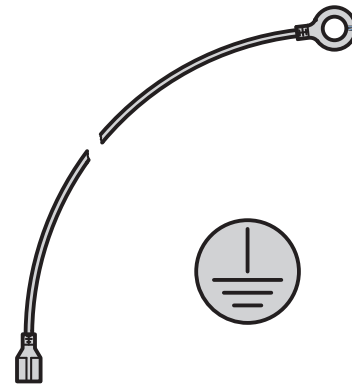


For further information [www.schroff.biz/oneclick](http://www.schroff.biz/oneclick)  
oneClick search code = Part no.



02108050

### GND/earthing kit



- The GND/earthing kit allows VDE-compliant earthing of the case to:
  - DIN EN 50178/VDE 0160
  - DIN EN 60950/VDE 0805
  - DIN EN 61010-1/VDE 0411 Part 1
  - DIN EN 61010-1A2/VDE 0411 Part 1/A
- VDE inspection has been carried out

#### Order Information

| Description                                                                                                                        | Qty/PU | Part no.  |
|------------------------------------------------------------------------------------------------------------------------------------|--------|-----------|
| GND/earthing kit, Cu wire, 1.5 mm <sup>2</sup> , PVC sleeve, green/yellow, links side panels, top cover, base plate and rear panel | 1      | 21100-814 |

az843284

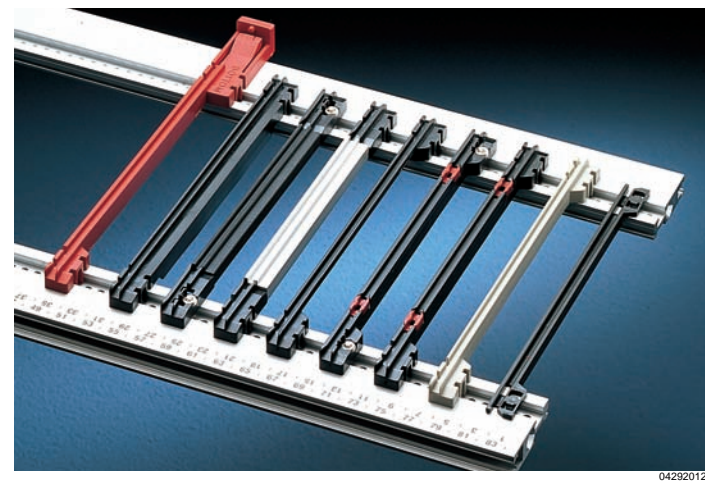


For further information [www.schroff.biz/oneclick](http://www.schroff.biz/oneclick)  
oneClick search code = Part no.



# 19" chassis - *inpac*

## Guide rails



04292012

### Order Information

| Board lengths<br>mm<br>mm | Groove width<br>mm<br>mm | Light version, snap-in         |                                | Version with board fixing, snap-in |                                | Version with board fixing, bolt-on |                                | Version for heavy load-carrying capacity, snap-in |                                | Version with ESD clip |                   | Universal version with AI middle section, bolt-on |                   |
|---------------------------|--------------------------|--------------------------------|--------------------------------|------------------------------------|--------------------------------|------------------------------------|--------------------------------|---------------------------------------------------|--------------------------------|-----------------------|-------------------|---------------------------------------------------|-------------------|
|                           |                          | Part no.                       | Part no.                       | Part no.                           | Part no.                       | Part no.                           | Part no.                       | Part no.                                          | Part no.                       | Part no.              | Part no.          | Part no.                                          | Part no.          |
|                           |                          | 1 piece (SPQ 50) <sup>1)</sup> | 1 piece (SPQ 50) <sup>1)</sup> | 1 piece (SPQ 50) <sup>1)</sup>     | 1 piece (SPQ 50) <sup>1)</sup> | 1 piece (SPQ 50) <sup>1)</sup>     | 1 piece (SPQ 50) <sup>1)</sup> | 1 piece (SPQ 50) <sup>1)</sup>                    | 1 piece (SPQ 50) <sup>1)</sup> | Qty/PU<br>1 piece     | Qty/PU<br>1 piece | Qty/PU<br>1 piece                                 | Qty/PU<br>1 piece |
| 100                       | 2                        | -                              | 60817-015                      | -                                  | -                              | -                                  | -                              | -                                                 | -                              | -                     | -                 | -                                                 | -                 |
| 160                       | 2                        | 60817-064                      | 60817-103                      | 60817-001                          | 60817-053                      | 60817-102                          | 20817-368                      | -                                                 | -                              | -                     | -                 | -                                                 | -                 |
| 160                       | 2.5                      | -                              | 60817-076                      | -                                  | -                              | -                                  | -                              | -                                                 | -                              | -                     | -                 | -                                                 | -                 |
| 180                       | 2                        | -                              | -                              | 60817-026                          | -                              | -                                  | -                              | -                                                 | -                              | -                     | -                 | -                                                 | -                 |
| 220                       | 2                        | -                              | 60817-149                      | 60817-016                          | 60817-083                      | 60817-085                          | 20817-369                      | -                                                 | -                              | -                     | -                 | -                                                 | -                 |
| 220                       | 2.5                      | -                              | -                              | -                                  | -                              | 60817-098                          | -                              | -                                                 | -                              | -                     | -                 | -                                                 | -                 |
| 280                       | 2                        | -                              | -                              | -                                  | -                              | 60817-080                          | -                              | -                                                 | -                              | -                     | -                 | -                                                 | -                 |
| 340                       | 2                        | -                              | -                              | -                                  | -                              | -                                  | -                              | -                                                 | -                              | -                     | -                 | 20825-120                                         | -                 |
| 400                       | 2                        | -                              | -                              | -                                  | -                              | -                                  | -                              | -                                                 | -                              | -                     | -                 | 20825-121                                         | -                 |

1) SPQ (standard pack quantity): Part number includes 1 piece, but delivery is exclusively made in standard pack quantity (SPQ); please order at least the SPQ quantity or a multiple

### Accessories

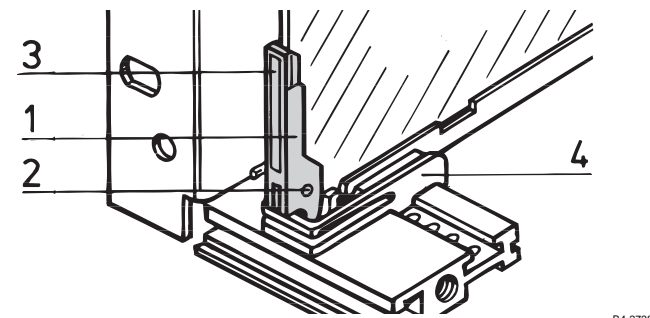
|                                                             |           |           |   |   |           |
|-------------------------------------------------------------|-----------|-----------|---|---|-----------|
| Spring clip PPE, UL 94 V-0, red, PU 10 pieces               | 21100-553 | 21100-553 | - | - | -         |
| Spring clip PPE, UL 94 V-0, red, PU 100 pieces              | 21100-554 | 21100-554 | - | - | -         |
| Assembly parts for 50 guide rails PU (100 screws, 100 nuts) | -         | 21101-990 | - | - | 21101-990 |

### Note

- For a detailed description of the guide rails see our website; please enter part number in "oneclick" search

## 19" chassis - *inpac*

### PCB handle A

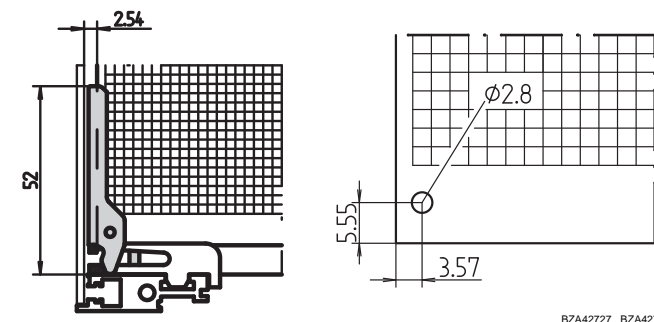


- To be mounted behind front panel, for PCB thickness 1.6 mm
- Insertion and extraction function
- Can be labelled

#### Order Information

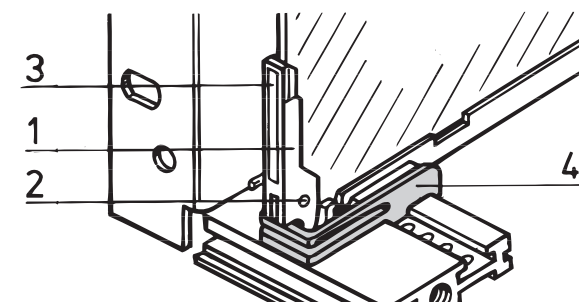
| Item | Description          | Material                      | Colour      | Qty/PU           | Part no.  |
|------|----------------------|-------------------------------|-------------|------------------|-----------|
| 1    | PCB handle A         | PBT, UL 94 V-0                | red         | 1 piece (SPQ 10) | 60817-096 |
| 2    | Pivot pin DIN 7      | Stainless steel               | -           | 100              | 21100-671 |
| 3    | Identification strip | Polyester film, self-adhesive | matt-silver | 100              | 21100-672 |

SPQ (Standard Pack Quantity): Part number includes 1 piece, but delivery is exclusively made in standard pack quantity: Please order at least 10 pieces PCB handles or a multiple



BZA42727 BZA42724

### PCB retainer A



- Can also be used without PCB handle
- Application on top and bottom horizontal rail

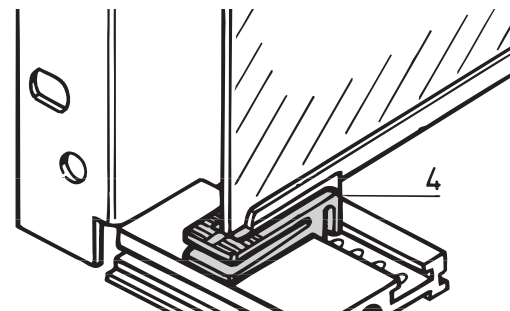
#### Order Information

| Item | Description                       | Material       | Colour | Qty              | Part no.  |
|------|-----------------------------------|----------------|--------|------------------|-----------|
| 4    | PCB retainer A for top and bottom | PPE, UL 94 V-0 | red    | 1 piece (SPQ 10) | 60817-097 |

SPQ (Standard Pack Quantity): Part number includes 1 piece, but delivery is exclusively made in Standard Pack Quantity: Please order at least 10 pieces PCB retainers or a multiple

C4-2728

### PCB retainer B



- Can be used on upper and lower horizontal rail, for PCB thickness 1.6 mm
- Can also be used without PCB handle
- Can also be used with guide blocks

#### Order Information

| Item | Description          | Material       | Colour | Qty              | Part no.  |
|------|----------------------|----------------|--------|------------------|-----------|
| 4    | PCB retainer, bottom | PPE, UL 94 V-0 | red    | 1 piece (SPQ 10) | 60817-054 |
| 4a   | PCB securing top     | PPE, UL 94 V-0 | black  | 1 piece (SPQ 10) | 60817-071 |

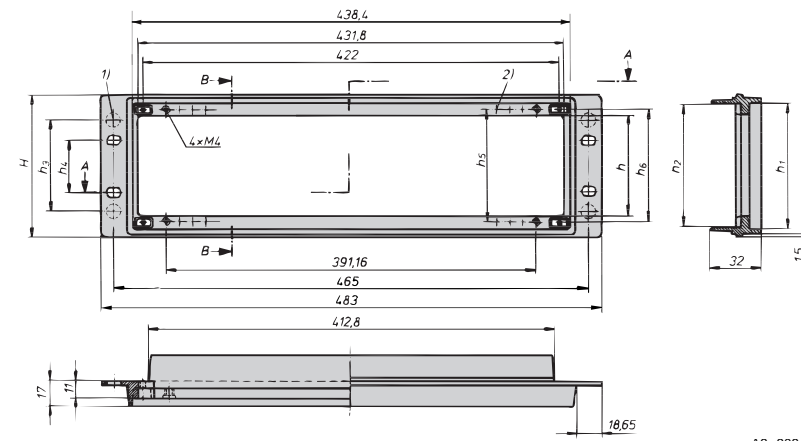
SPQ (Standard Pack Quantity): Part number includes 1 piece, but delivery is exclusively made in Standard Pack Quantity: Please order at least 10 pieces PCB retainers or a multiple

BZA46428

# 19" chassis - *inpac*

## Dimensions

### 19" front frame



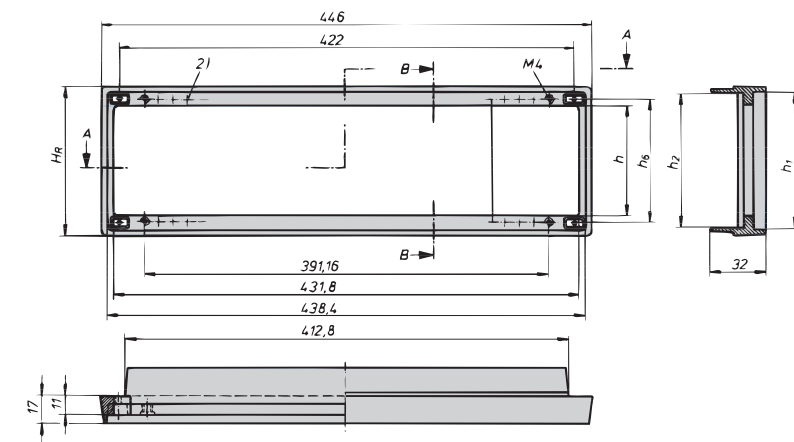
Section A-A

A3-306

There are counterbores at the rear side of the front frame which can be drilled if required:

- 1) For handle mounting
- 2) For mounting of partial-width front panel (grid 5.08 mm)

### 19" rear frame



Section A-A

A3-305

### Dimensions table

| Height |       |                |       |                |                |                |                |                |                |                |
|--------|-------|----------------|-------|----------------|----------------|----------------|----------------|----------------|----------------|----------------|
| in U   | H     | H <sub>R</sub> | h     | h <sub>1</sub> | h <sub>2</sub> | h <sub>3</sub> | h <sub>4</sub> | h <sub>5</sub> | h <sub>6</sub> | h <sub>7</sub> |
| 2      | 88,0  | 86,0           | 57,5  | 77,3           | 69,8           | 25,0           | 76,2           | 65,5           | 68,0           | 68,4           |
| 3      | 132,5 | 130,5          | 102,5 | 121,8          | 114,3          | 90,0           | 57,1           | 110,0          | 112,5          | 112,8          |
| 4      | 177,0 | 175,0          | 146,5 | 166,3          | 158,8          | 134,5          | 101,6          | 154,5          | 157,0          | 157,3          |
| 6      | 265,9 | 263,9          | 235,4 | 255,2          | 247,7          | 233,4          | 190,4          | 243,4          | 245,9          | 245,9          |







# MAIN CATALOG

24TH EDITION



# Schroff® MAIN CATALOG

EQUIPMENT PROTECTION SOLUTIONS

24TH EDITION | OCTOBER 2012



SCHROFF GMBH, LANGENALBER STRASSE 96-100, D-75334 STRAUBENHARDT WWW.PENTAIREQUIPMENTPROTECTION.COM

39601-641 © 2012 Pentair Equipment Protection



## X-ON Electronics

Largest Supplier of Electrical and Electronic Components

*Click to view similar products for [Enclosures, Boxes, & Cases](#) category:*

*Click to view products by [Schroff](#) manufacturer:*

Other Similar products are found below :

[CR-425 PAINTED](#) [585-R-WH-PK](#) [M-10-PLATED](#) [60221-01](#) [60566-01-000](#) [HPL-9VB BATT DOOR](#) [M-16-LID-PLATED](#) [M18-PLTD](#) [M-21-LID-PLATED](#) [M-21-PLATED](#) [M-23-PLATED](#) [CU-281-MB](#) [6711GSKT](#) [71884-29-028](#) [LH45-100 Black](#) [7200B](#) [72868-510-000](#) [CNS-0000 Black](#) [72883-510-000](#) [CNS-0101 Black](#) [72906-510-000](#) [CNS-0407 Black](#) [73091-510-000](#) [CNM-0000-BLACK Kit](#) [73092-510-000](#) [CNM-0101 Black](#) [73108-510-000](#) [CNL-0303 Black](#) [73395-510-039](#) [CNS-0006 Bone](#) [74257-510-000](#) [CNL-0004](#) [MDC-1183-PLAIN-ALUM](#) [MDC-1183-PTD](#) [MDC-13104-PLAIN-ALUM](#) [MDC-211 - PAINTED IVORY/BEIGE](#) [MDC-321-PTD](#) [MDC-432-PLAIN-ALUM](#) [MDC-973-PTD](#) [76](#) [77153-01-028](#) [FLX6030](#) [83535-01-508](#) [PS-11296-G](#) [PS-11298-B](#) [116-508](#) [120-407](#) [120-412](#) [120-909](#) [120-455](#) [R272-100-000](#) [120-910](#) [R501-001-010](#) [R508-080-000](#) [R508-160-000](#) [R530-120-000](#) [R530-122-000](#) [R530-200-000](#) [R531-160-000](#) [R531-200-000](#) [R582-080-100](#)