



**SCHROFF**

Project - 0 item(s)

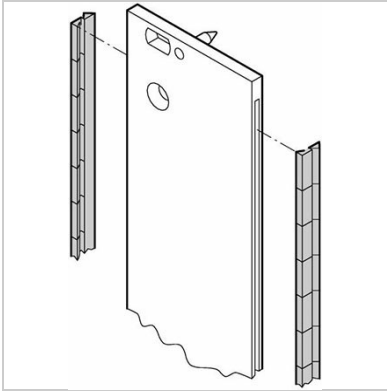
**MY PROJECT LIST**

- PRODUCTS
- APPLICATIONS
- INDUSTRIES
- NEW PRODUCTS
- CONFIGURATORS
- Products ▾
- Search

Home > Stainless steel EMC gasket

# Stainless steel EMC gasket

**SCHROFF**



**Catalog Number: 21101-708**

[Back To Product](#)

- The stainless steel EMC gaskets are inserted into the lateral slots of the shieldable front panels (2 pieces per front panel)
- EMC contact strip, stainless steel

**Product family:**

EuropacPRO

**Note:**

Please order assembly tool separately

**EMC Shielding:**

Shieldable (SST Gasket)

**Type:**

Individual Components

**Individual Component Type:**

EMC Shielding



**Select product specifications before modifying or adding to project list or requesting a quote.**

Height-U-defining

Qty-defining

[Clear Selection](#)

Quantity

**Add Item to Project List +**

- Documents**
- Main Catalog - Front panels
  - Main Catalog - Plug-in units
  - Main Catalog - Plug In Units Frame Type
  - User manual / Assembly instructions

- Links**
- Native CAD files

## Technical Data

<b>Height mm</b>	232.0
<b>Qty</b>	PU 100 pieces
<b>For case height [U]</b>	232
<b>Height U</b>	6

## Delivery Comprises:

Item	Quantity	Description
1	100	EMC gasket (stainless steel)

## Accessories

	Assembly tool, for stainless steel EMC gasket, 1 piece	24560-270	<b>Add Item to Project List +</b>
--	--	-----------	-----------------------------------

About Us  
Services & Capabilities  
News & Events  
Newsletter Subscriptions  
Strategic Partnerships  
Investor Relations

Customer Service  
Find a Sales Office or Distributor  
Global Locations  
Product Compliance & Certifications  
Partner Login

Download Center  
Reference Projects  
Videos  
Product Configurators  
Warranties and Terms of Sale & Procurement

© 2018 nVent. All rights reserved | [Privacy Policy](#) | [Terms of Use](#) | [Cookie Policy](#) | [Imprint](#) | [Site Map](#)

## Connect With Us



## X-ON Electronics

Largest Supplier of Electrical and Electronic Components

*Click to view similar products for [Modular Connectors](#) / [Ethernet Connectors](#) category:*

*Click to view products by [Schroff](#) manufacturer:*

Other Similar products are found below :

[RJE231881317T](#) [MP1010RX-1000](#) [MP44RX-1000](#) [GAX-3-66](#) [GAX-8-62](#) [93606-0253](#) [GD-A-44](#) [GDCX-PA-66-50](#) [GDCX-PN-64](#) [GDCX-PN-66](#) [GDCX-PN-66-50](#) [GDLX-A-66](#) [GDLX-A-88](#) [GDLX-N-66](#) [GDLX-S-88K](#) [GDTX-S-88-50](#) [GDX-PA-1010](#) [GLX-N-1010M-BLK](#) [GLX-N-44M](#) [GLX-S-88M-BLK](#) [GMX-N-1010](#) [GMX-S-1010](#) [GMX-S-66](#) [GMX-SMT2-N-1010](#) [GMX-SMT2-N-64-50](#) [GMX-SMT2-S6-88](#) [GMX-SMT4-N-88](#) [GPX-2-64](#) [GRT1-BT1-5](#) [GSGX-N-2-88](#) [GSX-NS2-88-3.05](#) [GSX-NS2-88-3.05-50](#) [GSX-NS-88-3.05-30](#) [GSX-NS-88-3.05-50](#) [GSX-NS-88-3.68](#) [1-1775629-2](#) [GWLX-S-88-GR](#) [GWLX-S9-88-YG](#) [1300500326](#) [1300500227](#) [1300530003](#) [1300570002](#) [1324640-4](#) [RJ11FTVC2G](#) [RJ11FTVC2N](#) [RJFTVX2SA1G](#) [132764-001](#) [1400000](#) [1413176](#) [1413235](#)