



# MAIN CATALOG

24TH EDITION



# Schroff® MAIN CATALOG

EQUIPMENT PROTECTION SOLUTIONS

24TH EDITION | OCTOBER 2012

## 04 Desk-top cases



SCHROFF GMBH, LANGENALBER STRASSE 96-100, D-75334 STRAUBENHARDT WWW.PENTAIREQUIPMENTPROTECTION.COM

39601-641 © 2012 Pentair Equipment Protection

Desk-top cases

**ratiopac PRO**

The universal case with 19" compatible dimensions e.g. for CompactPCI and VME64x applications

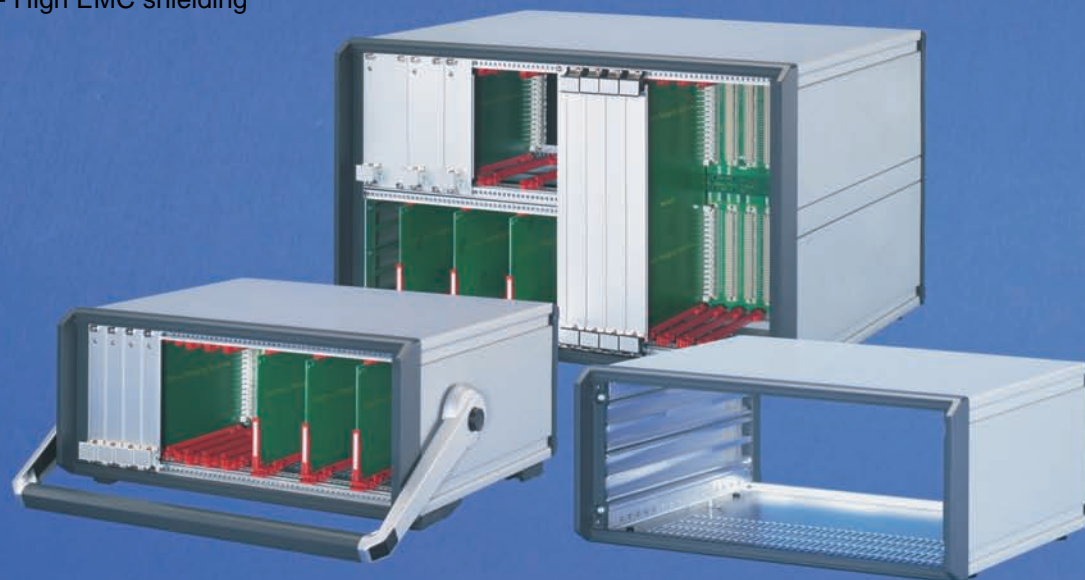
- Aluminium case
- Height 2 ... 7 U
- High EMC shielding



**propac PRO**

The robust case for 19" compatible or custom electronics assemblies

- Aluminium case with aluminium frame front
- Height 2 ... 6 U
- High EMC shielding



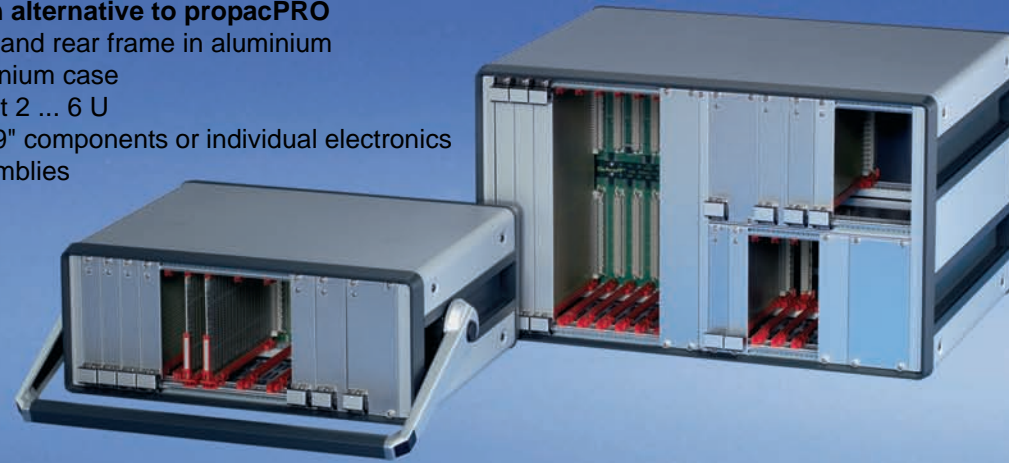
361009005 (12304003 10005004 05802001 06803006 05809001)

## compacPRO

Desk-top or portable case

Design alternative to propacPRO

- Front and rear frame in aluminium
- Aluminium case
- Height 2 ... 6 U
- For 19" components or individual electronics assemblies



## comptec

Case to house

19" subracks or 19" chassis

- Case with aluminium frame to front and rear
- High stability
- Height 3 ... 12 U
- Identical front and rear
- Internal mounting up to 40 kg
- Protection class IP 20

## Accessories



36109006 (022004001 02202003 05806006 02392004 05806008)

Overview ... 5.0

Introduction .. 5.2

ServicePLUS.. 5.4

ratiopacPRO .. 5.6

propacPRO ... 5.44

compacPRO .. 5.76

comptec ..... 5.100

### Accessories

Handles ..... 5.108

Strap handles ... 5.111

Tip-up carrying handles ..... 5.112

Folding handles 5.113

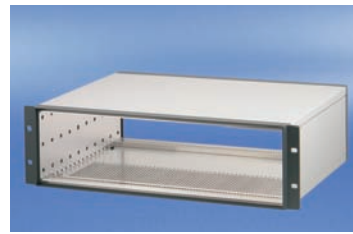
Tray handles ... 5.114

Feet ..... 5.115

ServicePLUS.. 5.4

## Desk-top cases – Introduction

### Case types: Desk-top enclosure/19" case



Desk-top enclosure,  
ratiopacPRO



19" case, comptec

#### Desk-top enclosures

Our desk-top cases are used to house PCBs (euroboards) or individual components

The choice is yours:

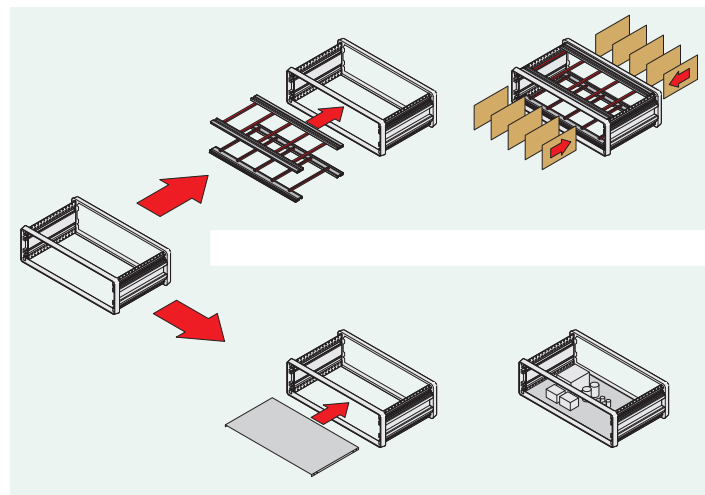
- ratiopacPRO, the universal case with 19" compatible dimensions and high EMC shielding, e.g. for CompactPCI and VME64x applications
- propacPRO, the robust case with high EMC shielding for 19"-compatible or custom electronics assemblies
- compacPRO, Desk-top or portable case for unshielded applications

#### 19" cases

Our comptec cases are comparable with small cabinets and are used to house 19" components such as subracks, 19" fan trays or 19" front panels

All desk-top enclosures have a very low weight owing to the materials used and are also suitable for mobile use

### Applications for desk-top enclosures



Example above: for euroboards, below: for individual installation

#### The most important user domains for desk-top enclosures are:

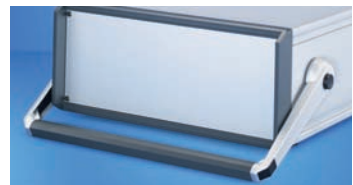
- Fitting with euroboards in accordance with IEC 60297



- Fitting with individual electrical or mechanical components, e.g. on mounting plates



### One product platform and extensive accessories



05806008



05806006



02005003



02005006

- Practical technology without time-consuming assembly. The modular product platform of these cases allows a wide range of possible uses with only a small number of components.

The intelligent design of all components results in an astonishingly quick and easy assembly of the components.

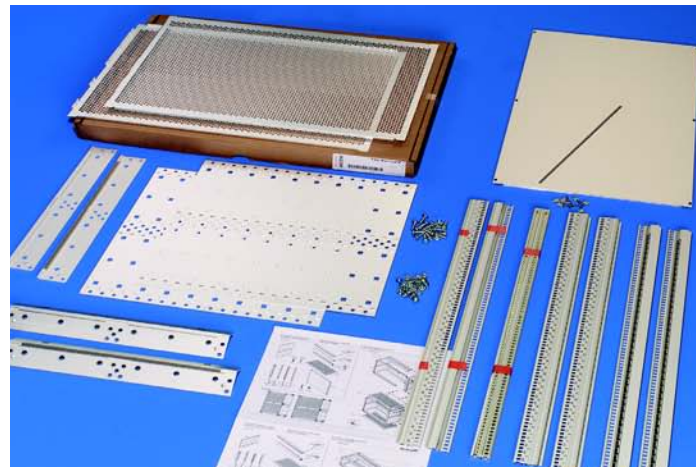
With our PRO product platform we offer you full compatibility of all individual components and accessories, also with our europacPRO subracks.

Standard desk-top enclosures can also be adapted easily and with little effort for mobile applications.

Part number in bold face type: ready for despatch within 2 working days  
Part number in normal type: ready for despatch within 10 working days

## Desk-top cases – Introduction

### Forms of delivery for desk-top enclosures



Flat pack delivery to save space

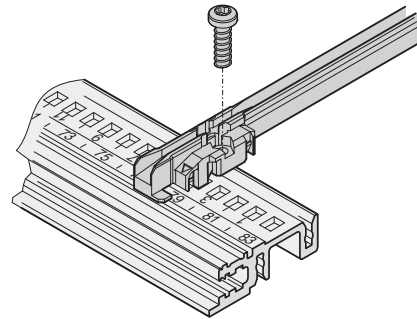
Supplied in space-saving packs. Simply unpack parts and screw together - done.

Depending on the kit chosen the threaded insert, the perforated rail or the EMC gasket is pre-assembled on the horizontal rail.

We offer you three forms of delivery:

- Pre-assembled kit for use with 160 mm deep euroboards, frame fitted, cladding parts and guide rails supplied loose.
- Pre-assembled kit for individual configuration, frame assembled, cladding parts supplied loose.
- Ready assembled cases to your specifications. With our ServicePLUS option you can order ready-assembled cases, with drilled holes and cut-outs and individual front panels - if necessary even by express service.

### Guide rail



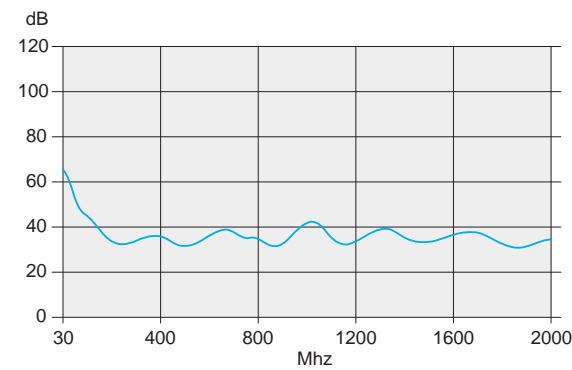
06108084

- Guide rails form the interface between the mechanics of the case and the electronics assembled (PCBs, plug-in units, frame type plug-in units, drive unit modules, etc.).

Robust snap-in fixings on the plastic rails assure that the components are held securely, even when exposed to vibrations.

Guide rails can also be screwed on.

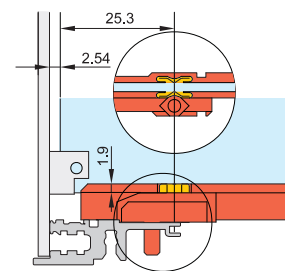
### EMC and ESD



06108081

- Our case product platforms offer standard solutions for achieving electromagnetic compatibility (EMC) and to avoid electrostatic interference (ESD)
- Shielding on the front and rear of the case is effected by front panels with EMC gaskets
- To prevent electrostatic discharge when inserting PCBs, ESD contacts are clipped into the guide rails. These provide a conductive connection between board and case earth/ground
- Test reports are available on our website [www.schroff.biz](http://www.schroff.biz) for download

### Shielding

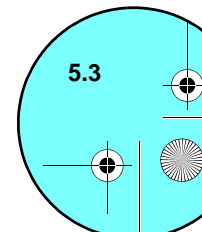


04503050

### Position of the ESD clip

Main Catalogue  
E 10/2012

Part number in bold face type: ready for despatch within 2 working days  
Part number in normal type: ready for despatch within 10 working days



## Desk-top cases – ServicePLUS



### configuration

Simple. Fast. For the product you want.

Components can be varied and combined freely

- Online configuration: [www.schroff.co.uk/configuration](http://www.schroff.co.uk/configuration)



### assembly

Assembled by professionals. Double benefit!

Fitting of all mechanical, electrical and electronic components by our specialists

- Professional and reliable, without extra costs
- Ready for despatch within 10 working days



### modification

Small changes. Large impact.

Custom drillings, cut-outs and special colours for off-the-shelf products

- CAD data are available for you to download and further modify from our website [www.schroff.biz](http://www.schroff.biz)
- Ready for despatch within 10 working days



### solution

Simple. Fast. From one source.

Integration and custom developments

- Flowtherm simulation to calculate heat paths; verification in our own climate lab
- Special sizes, custom solutions



### express

When fast has to be faster.

Delivery time to customer's request

- ServicePLUS assembly ready for despatch within 10 working days
- ServicePLUS modification and ServicePLUS solution ready for despatch within 15 working days



### academy

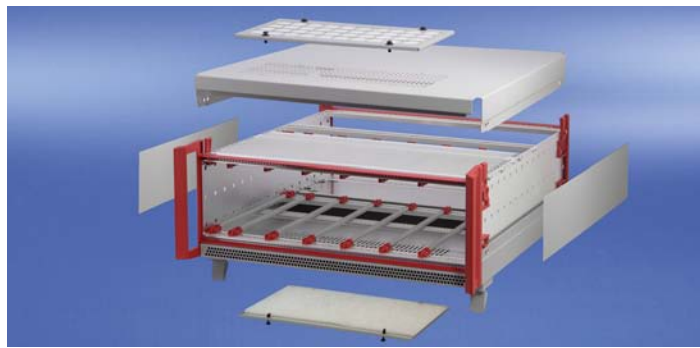
Knowledge. Sharing. Partnerships.

Knowledge transfer and partnership

- Seminars held centrally or at your site.
- CAD drawings, test reports, user manuals

# Desk-top cases - ServicePLUS

## Application examples



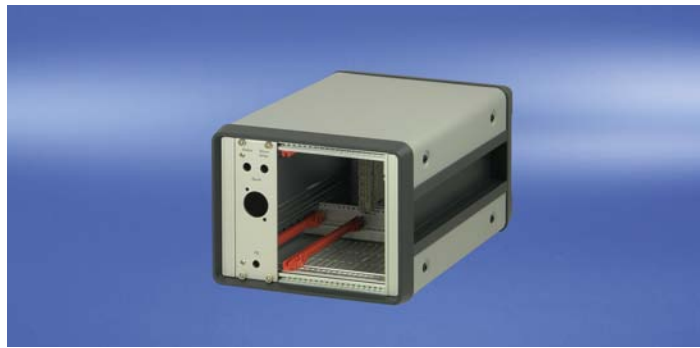
01809001

Application: ratiopacPRO-air case in special colour, shielded board cage, filter mat top and bottom



01809003

Application: ratiopacPRO-air case with processed front and rear panels



02009001

Application: compacPRO case, modified



02009003

Application: compacPRO case with fitted horizontal rail with lip and hinged front panel



02009002

Application: compacPRO case with fitted horizontal rail with lip and folding front panel



02009004

Application: compacPRO with tip-up carrying handle and front panel (without visible screws)



02109001

Application: inpac case with hinged and modified front and rear panels



05809005

Application: propacPRO, EMC case in special colour with mounting plates for individual construction

Overview ..... 0

Cabinets ..... 1

Wall mounted cases ..... 2

Accessories for cabinets and wall mounted cases 3

Climate control 4

**Desk-top cases 5**

Subracks/ 19" chassis ... 6

Front panels, plug-in units .. 7

Systems ..... 8

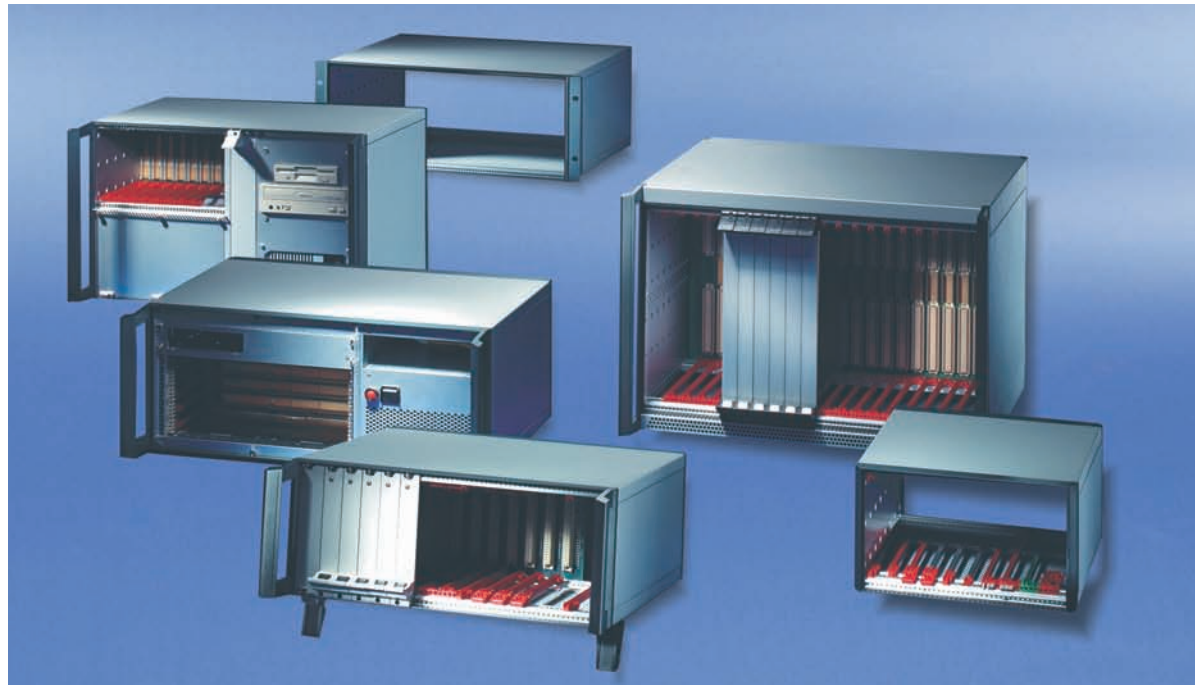
Power supply units ..... 9

Backplanes .. 10

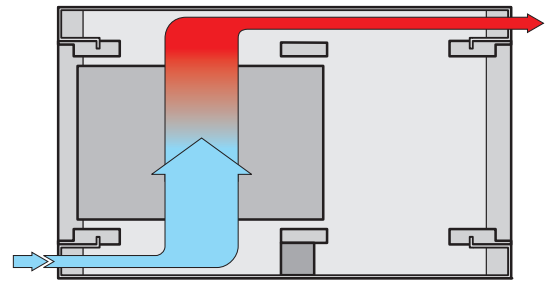
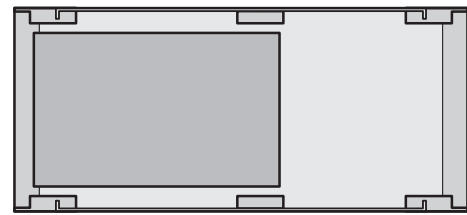
Connectors, front panel component system ..... 11

Appendix .... 12

Desk-top cases - *ratiopacPRO*



06800002



06801005

**ratiopacPRO**  
 Designed for insertion/extractor handles in accordance with IEC 60297-3-102 and IEEE 1101.10 for CompactPCI and VME64x applications

**ratiopacPRO air**  
 Designed for insertion/extractor handles in accordance with IEC 60297-3-102 and IEEE 1101.10 for CompactPCI and VME64x applications; 1 U extra for ventilation (1/2 U top, 1/2 U bottom)


- Standards**
- Inner and outer dimensions in accordance with:  
 IEC 60297-3-101 / IEEE 1101.1  
 IEC 60297-3-102 / IEEE 1101.10/11
  - Type of protection IP20 in accordance with IEC 60529
  - Earthing connections in accordance with:  
 DIN EN 50178 / VDE 0160  
 DIN EN 60950 / VDE 0805  
 DIN EN 61010-1 / VDE 0411 part 1  
 DIN EN 61010-1A2 / VDE 0411 part 1/A1
  - EMC testing in accordance with VG 95373 part 15



Case with mounting plate



Prepared for CompactPCI and VME64x applications

 Downloads and further important information can be found on the Internet under [www.schroff.biz](http://www.schroff.biz)



The universal case with 19" compatible dimensions  
e.g. for CompactPCI, VME64x and other applications

- Base level of shielding in basic versions upwards, additional EMC shielding can be retrofitted
- Symmetrical construction, identical front and rear (identical board cage for ratiopacPRO and ratiopacPRO air)
- Converts simply from desktop to 19" rack-mounted case and back
- No visible screws; cladding parts removable without tools



**ratiopacPRO**

- Case with cover strip, front handles or 19" brackets (height 2 U ... 6 U)
- Complete case with cover strip and pre-mounted components, with basic shielding (height 3 U, 6 U), additional EMC shielding retrofittable
- Tower case (width 4 U)



**ratiopacPRO air**

- ratiopacPRO air with additional 1 U height for ventilation
- Case with cover strips, front handles or 19" brackets (height 4 U, 5 U, 7 U)
- Complete case with cover strips and pre-mounted components, with basic shielding (height 4 U, 7 U), additional EMC shielding retrofittable



**ServicePLUS from page 5.4**

- e.g. modifications (special colours or sizes)
- e.g. custom solutions (cut-outs in top cover, base plate or side panels)
- e.g. assembly service from 1 piece

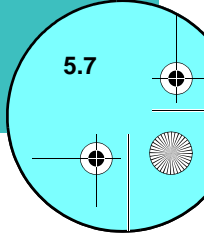
[www.schroff.biz/ServicePLUS](http://www.schroff.biz/ServicePLUS)

**ratiopacPRO**  
Complete cases . 5.8  
Dimensions ..... 5.9  
Cases ..... 5.10  
Tower cases .... 5.12

**ratiopacPRO air**  
Cases ..... 5.14  
Complete cases . 5.13  
Dimensions ..... 5.16  
Radial fan units . 5.17  
EMC gasketing .. 5.18

**Accessories**  
Front panels .... 5.21  
Rear panels ..... 5.22  
Feet ..... 5.23  
Air filters ..... 5.23  
GND/earthing kit . 5.24  
Front handles ... 5.24  
19" brackets .... 5.25  
Cable holder. ... 5.26  
Compartment seals. .... 5.26  
Strap handles ... 5.26  
Tip-up carrying handles ..... 5.27  
Assembly kit. ... 5.28  
Fitting position of horizontal rails ..... 5.29  
Horizontal rails. . 5.31  
Threaded inserts, perforated strips, insulation strips . 5.35  
Z-rails, perforated rails. . 5.35  
Divider plates ... 5.36  
Mounting plates . 5.37  
Horizontal board assembly ..... 5.38  
Combined mounting ..... 5.39  
Guide rails and ESD clips ..... 5.40

ServicePLUS .. 5.4



# Desk-top cases - *ratiopacPRO*

## ratiopacPRO complete cases

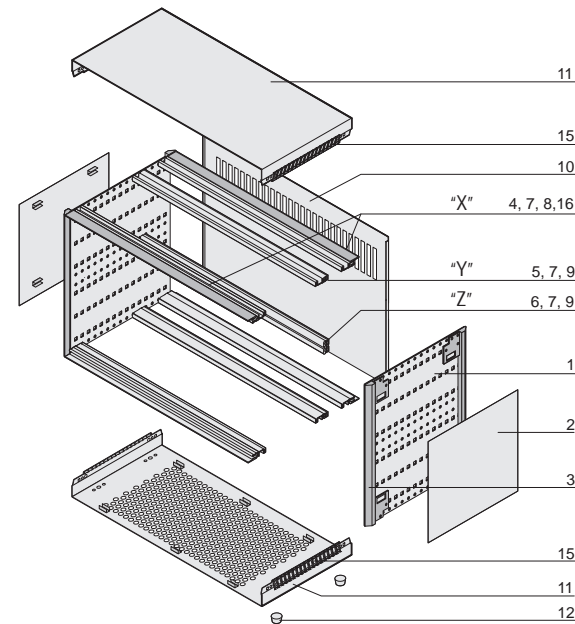


06812003

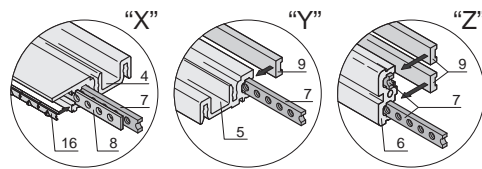
- Desk-top enclosure with pre-configured components, in accordance to IEC 60297-3-101; prepared for 19" components, e.g. plug-in units and euroboards
- Ventilation slit in base plate
- Rear panel perforated

### Delivery comprises (in kit form)

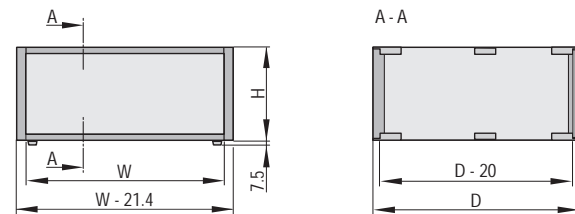
Item	Qty	without EMC	with EMC	Description
1	2	2		Side panel, Al, 2 mm, passivated
2	2	2		Side plate, Al, 1 mm, visible surfaces RAL 9006
3	4	4		Cover strip, Al die-cast, RAL 7016, pre-fitted only on EMC version
4	4	4		Horizontal rail, type H-LD, Al, visible surfaces RAL 7016
5	2	2		Horizontal rail, centre (top/bottom), type H-ST, Al
6	1	1		Horizontal rail, centre (on 6 U only), type ST, Al
7	6/8	6/8		3 U/6 U: threaded inserts, St, pre-mounted, for indirect backplane mounting with insulation strips
8	-	4		Perforated strip, Al, 1 mm, pre-fitted
9	4	4		Insulation strip, PBT, UL 94 V-0
10	1	1		Rear panel, perforated, Al, 2.5 mm
11	2	2		Top cover and base plate, Al, 1 mm, internal surfaces conductive, visible surfaces RAL 9006, with GND/earthing connection, base plate with honeycomb grid ventilation
12	4	4		Case foot with anti-slip protection, UL 94 V-0, PC black
14	-	1		EMC support profile for side panel, pre-mounted (kit)
15	-	4		EMC contact strip for cover plate, pre-mounted (kit)
16	-	4		EMC contact strip front panel - horizontal rails
17	1	1		GND/earthing kit, assembly kit



01802050

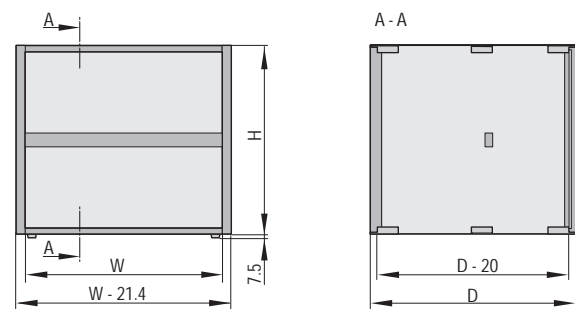


01808055



01808051

3 U



01808052

6 U

### Order Information

Height H	Width W	Depth D	Unshielded	EMC shielded
U	HP	mm	Part no.	Part no.
3	28	255.5	24572-001	24572-050
3	42	255.5	24572-002	24572-051
3	42	315.5	24572-003	24572-052
3	63	315.5	24572-004	24572-053
3	84	315.5	24572-005	24572-054
3	84	375.5	24572-006	24572-055
3	84	435.5	24572-007	24572-056
6	42	315.5	24572-015	24572-064
6	63	315.5	24572-016	24572-065
6	84	315.5	24572-017	24572-066
6	84	375.5	24572-018	24572-067
6	84	435.5	24572-019	24572-068

### Note

- Dimension drawings and mounting depths see page 5.9
- Components see page 5.18
- Front handles and 19" mounting brackets from page 5.24
- Guide rails from page 5.40



ServicePLUS see page 5.4

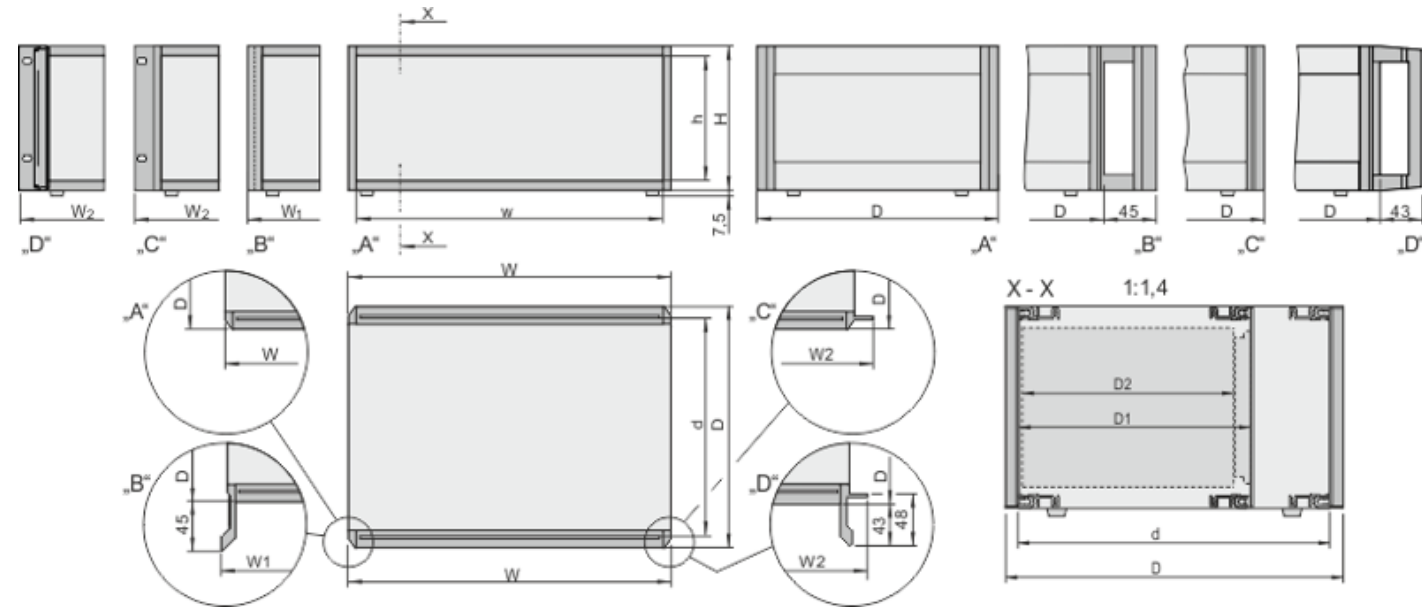
5.8

Main Catalogue  
E 10/2012

Part number in bold face type: ready for despatch within 2 working days  
Part number in normal type: ready for despatch within 10 working days

## Desk-top cases - *ratiopacPRO*

### Dimension drawings ratiopacPRO



RatiopacPRO with A - bezel; B - front handle; C - 19" mounting bracket; D - 19" mounting bracket with front handle

rppr6637

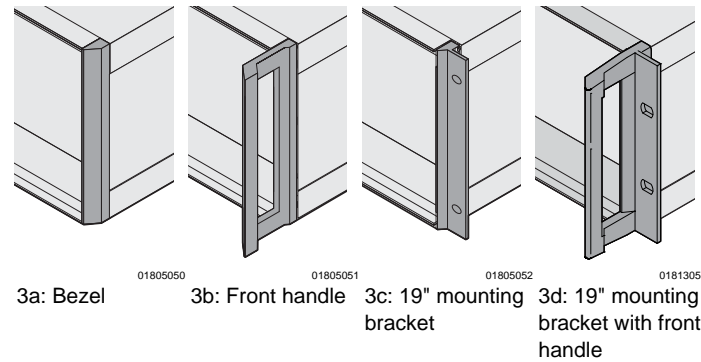
### Dimensions table ratiopacPRO

in U	Height		Width					Depth			
	H in mm	h in mm	w in HP	W in mm	w1 in mm	w2 in mm	w in mm	D Total depth in mm	d Useable depth in mm	D1 Plug-in depth in mm	d2 Board depth in mm
2	88.10	67.90	28	164.42	177.62	198.12	142.82	255.5	235.5	175.5	160
			42	235.54	248.74	269.24	213.94			235.5	220
			63	342.42	355.42	375.92	320.62			175.5	160
			84	448.90	462.10	482.60	427.30			235.5	220
3	132.55	112.35	28	164.42	177.62	198.12	142.82	315.5	295.5	175.5	160
			42	235.54	248.74	269.24	213.94			295.5	280
			63	342.42	355.42	375.92	320.62			175.5	160
			84	448.90	462.10	482.60	427.30			235.5	220
4	177.00	156.80	28	164.42	177.62	198.12	142.82	375.5	355.5	175.5	160
			42	235.54	248.74	269.24	213.94			295.5	280
			63	342.42	355.42	375.92	320.62			175.5	160
			84	448.90	462.10	482.60	427.30			235.5	220
5	221.45	201.25	28	164.42	177.62	198.12	142.82	435.5	415.5	175.5	160
			42	235.54	248.74	269.24	213.94			295.5	280
			63	342.42	355.42	375.92	320.62			175.5	160
			84	448.90	462.10	482.60	427.30			235.5	220
6	265.90	245.70	28	164.42	177.62	198.12	142.82	495.5	475.5	175.5	160
			42	235.54	248.74	269.24	213.94			295.5	280
			63	342.42	355.42	375.92	320.62			175.5	160
			84	448.90	462.10	482.60	427.30			235.5	220

Components mountable in 15 mm depth grid

## Desk-top cases - *ratiopac*PRO

### RatiopacPRO case



- Cases for individual assembly with 19" standard components or specific internal mounting, e.g. with mounting plate
- Unshielded (EMC shielding retrofittable)
- Symmetrical design, identical front and rear side
- Four versions:
  - Bezels
  - Front handles
  - 19" mounting brackets
  - 19" mounting brackets with front handles
- For board depth 160 mm, 220 mm, 280 mm, and 340 mm (depending on case depth)

### Delivery comprises (kit)

Item	Qty	Description
1	2	Side panel, Al, 2 mm, chromated
2	2	Side plate, Al, 1 mm, visible surfaces powder-coated, RAL 9006
3	2	Rear trim, Al die-cast, powder-coated, RAL 7016
3a	2	Bezel, Al die-cast, powder-coated, RAL 7016
3b	2	Front handle, Al die-cast, powder-coated, RAL 7016
3c	2	19" mounting bracket, Al diecast, powder-coated, RAL 7016
3d	2	19" mounting bracket with front handle, Al diecast, powder-coated, RAL 7016
4	4	Horizontal rail, type H-LD, Al, visible surfaces powder-coated, RAL 7016
11	2	Top cover and base plate, Al, 1 mm, inner sides conductive, visible surfaces powder-coated, RAL 9006, with GND/earthing connections, base plate with honeycomb grid ventilation
12	4	Case foot with anti-slip protection, UL 94 V-0, PC black
13	1	Fixing materials kit

3a, 3b, 3c or 3d according to selection

### Note

- Order information, see following page

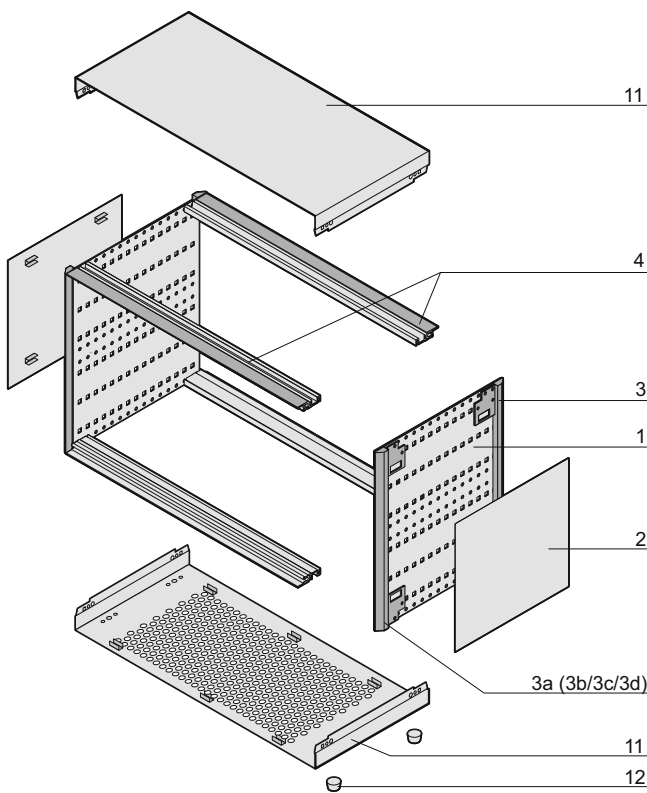
### Order Information

#### Accessories

<b>Earthing kit</b> CU wire, 1.5 mm <sup>2</sup> , PVC sleeve, green/yellow, 1 kit	24571-380
<b>Al diecast foot with tip-up</b> silver, 1 piece (SPQ 10)	10603-002
<b>Plastic tip-up foot</b> silver, similar to RAL 9006, PU 4 pieces	20603-001
<b>Plastic tip-up foot</b> anthracite, similar to RAL 7016, 4 pieces	20603-002
<b>Stacking aid</b> silver, similar to RAL 9006, PA, UL 94 V-0, PU 4 pieces	20603-004
<b>Stacking aid</b> anthracite, similar to RAL 7016, PA, UL 94 V-0, PU 4 pieces	20603-003



For further information [www.schroff.biz/oneclick](http://www.schroff.biz/oneclick)  
oneClick search code = Part no.



Drawing with front cover strip

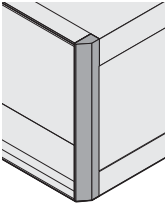
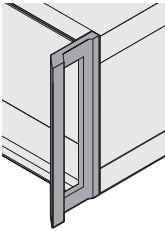
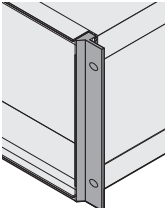
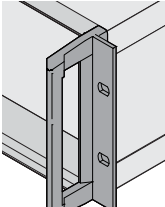
01813065



ServicePLUS see page 5.4

## Desk-top cases - *ratiopac*PRO

### RatiopacPRO case

	Width W HP	Depth D mm	Case height H					
			2 U		Side panel subdivision		Part no.	Part no.
			Part no.	Part no.	(1 U-3 U-1 U)	(3 U-2 U)		
<b>Cover strips</b> 	28	255.5	24572-500	24571-002	24571-050	24572-117	24572-261	24571-098
	28	315.5	24572-503	24571-005	24571-053	24572-120	24572-264	24571-101
	42	255.5	24572-510	24571-014	24571-062	24572-129	24572-273	24571-110
	42	315.5	24572-513	24571-017	24571-065	24572-132	24572-276	24571-113
	42	255.5	24572-514	24571-018	24571-066	24572-133	24572-277	24571-114
	63	255.5	24572-520	24571-026	24571-074	24572-141	24572-285	24571-122
	63	315.5	24572-523	24571-029	24571-077	24572-144	24572-288	24571-125
	63	375.5	24572-524	24571-030	24571-078	24572-145	24572-289	24571-126
	84	255.5	24572-530	24571-038	24571-086	24572-153	24572-297	24571-134
	84	315.5	24572-533	24571-041	24571-089	24572-156	24572-300	24571-137
	84	375.5	24572-534	24571-042	24571-090	24572-157	24572-301	24571-138
	84	435.5	24572-535	24571-043	24571-091	24572-158	24572-302	24571-139
	84	495.5	24572-536	24571-044	24571-092	24572-159	24572-303	24571-140
	<b>Front handles</b> 	28	255.5	–	24571-702	24571-750	24572-213	24572-357
28		315.5	–	24571-705	24571-753	24572-216	24572-360	24571-801
42		255.5	–	24571-714	24571-762	24572-225	24572-369	24571-810
42		315.5	–	24571-717	24571-765	24572-228	24572-372	24571-813
42		375.5	–	24571-718	24571-766	24572-229	24572-373	24571-814
63		255.5	–	24571-726	24571-774	24572-237	24572-381	24571-822
63		315.5	–	24571-729	24571-777	24572-240	24572-384	24571-825
63		375.5	–	24571-730	24571-778	24572-241	24572-385	24571-826
84		255.5	–	24571-738	24571-786	24572-249	24572-393	24571-834
84		315.5	–	24571-741	24571-789	24572-252	24572-396	24571-837
84		375.5	–	24571-742	24571-790	24572-253	24572-397	24571-838
84		435.5	–	24571-743	24571-791	24572-254	24572-398	24571-839
84		495.5	–	24571-744	24571-792	24572-255	24572-399	24571-840
<b>19" mounting brackets</b> 		84	255.5	24572-570	24571-438	24571-486	24572-201	24572-345
	84	315.5	24572-573	24571-441	24571-489	24572-204	24572-348	24571-537
	84	375.5	24572-574	24571-442	24571-490	24572-205	24572-349	24571-538
	84	435.5	24572-575	24571-443	24571-491	24572-206	24572-350	24571-539
	84	495.5	24572-576	24571-444	24571-492	24572-207	24572-351	24571-540
<b>19" mounting brackets with front handles</b> 	84	255.5	24572-620	24572-630	24572-640	–	–	24572-660
	84	315.5	24572-623	24572-633	24572-643	–	–	24572-663
	84	375.5	24572-624	24572-634	24572-644	–	–	24572-664
	84	435.5	24572-625	24572-635	24572-645	–	–	24572-665
	84	495.5	24572-626	24572-636	24572-646	–	–	24572-666

**Note**

- Dimension drawings and mounting depths see page 5.9
- Components see page 5.18

## Desk-top cases - *ratiopacPRO*

### ratiopacPRO tower with 4 U width



- Symmetrical design, identical front and rear side
- Mounting space 4 U, 84 HP, depth 475 mm
- Case based on ratiopacPRO
- Unshielded (EMC shielding retrofittable)

#### Delivery comprises (in kit form)


Item	Qty	Description
1	2	Base/top cover, Al, 2 mm, passivated
2	4	Horizontal rail, type H-LD, Al, visible surface powder-coated, RAL 7016
3	4	Cover, Al die-cast, RAL 7016
4	2	Lateral cover plate, Al, 1 mm, with GND/earthing connection, visible surfaces powder-coated, internal surface conductive, RAL 9006
5	1	Top cover plate, Al, 1 mm, visible surface powder-coated, RAL 9006
6	2	Case foot with anti-slip protection, Al, powder-coated, RAL 7016
7	1	Assembly kit

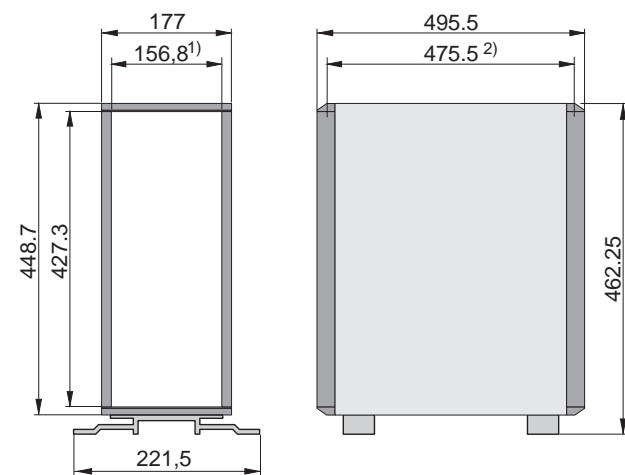
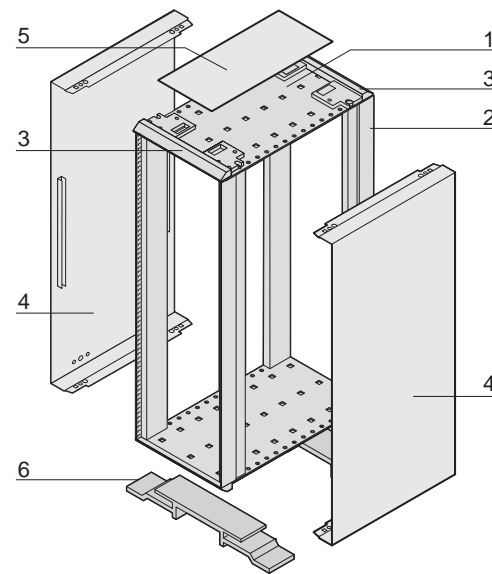
#### Order Information

Width	Part no.
4 U	24571-395

#### Note

- Components see page 5.18

 For further information [www.schroff.biz/oneclick](http://www.schroff.biz/oneclick)  
oneClick search code = Part no.



01802054

- 1) = open space between the horizontal rails  
2) = max. mounting depth



ServicePLUS see page 5.4

5.12 Main Catalogue  
E 10/2012

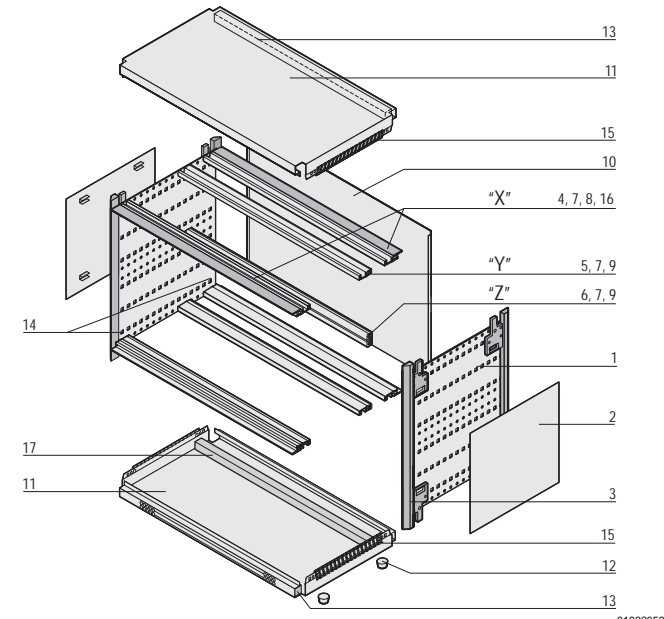
Part number in bold face type: ready for despatch within 2 working days  
Part number in normal type: ready for despatch within 10 working days

# Desk-top cases - *ratiopac PRO* air

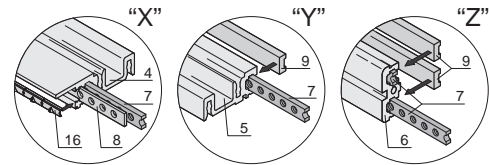
## ratiopacPRO air complete cases



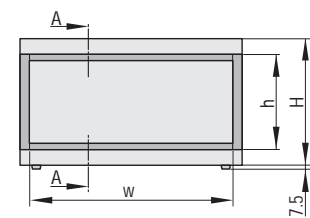
06811001



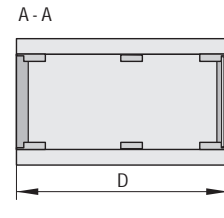
01802052



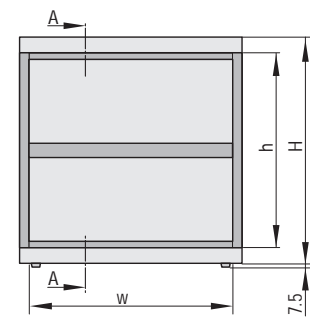
01808055



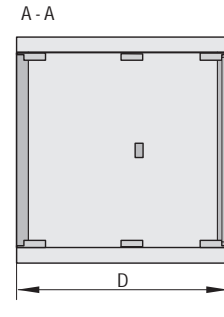
01808053



3 U



01808054



6 U



ServicePLUS see page 5.4

Main Catalogue  
E 10/2012

Part number in bold face type: ready for despatch within 2 working days  
Part number in normal type: ready for despatch within 10 working days

- The case has 2 x 1/2 U clearance for ventilation
- Case with cover strip; with pre-mounted components for euroboards and backplane with insulation strip; no visible screws
- Symmetrical design, identical front and rear honeycomb grid ventilation in top cover and base plate
- Available in two versions:
  - unshielded (EMC shielding retrofittable)
  - with EMC shielding fitted

### Delivery comprises (in kit form)

Item	Qty	Description	
without EMC		with EMC	
1	2	2	Side panel, Al, 2 mm, passivated
2	2	2	Side plate, Al, 1 mm, visible surface RAL 9006
3	4	4	Cover, die-cast zinc, RAL 7016, pre-mounted on EMC version only
4	4	4	Horizontal rail, type H-LD, Al, visible surface RAL 7016
5	2	2	Horizontal rail, centre (top/bottom), type H-ST, Al
6	1	1	Horizontal rail, centre (on 6 U only), type ST, Al
7	6/8	6/8	4 U/7 U: threaded inserts, St, pre-mounted, for indirect backplane mounting with insulation strips
8	-	4	Perforated strip, pre-mounted
9	4	4	Insulation strip, PBT, UL 94 V-0
10	1	1	Rear panel, Al, 2.5 mm
11	2	2	Top cover and base plate with honeycomb grid ventilation, Al, 1 mm, internal surface conductive, visible surface RAL 9006, with GND/earthing connection
12	4	4	Case foot with anti-slip protection, UL 94 V-0, PC, black
13	2	2	Air filter
14	-	1	EMC support profile for side panel, fitted (kit)
15	-	4	EMC contact strip for cover plate, pre-mounted (kit)
16	-	4	EMC contact strip front panel - horizontal rails
17	1	1	Compartment seal, PE foam, self-adhesive, temperature range -20 °C ... +85 °C
18	1	1	GND/earthing kit, assembly kit

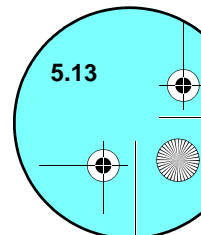
### Order Information

Case height H	PCB height h	Width w	Depth D	Unshielded Part no.	EMC shielded Part no.
<b>U</b>	<b>U</b>	<b>HP</b>	<b>mm</b>	<b>Part no.</b>	<b>Part no.</b>
4	3	28	255.5	24572-025	24572-074
4	3	42	255.5	24572-026	24572-075
4	3	42	315.5	24572-027	24572-076
4	3	63	315.5	24572-028	24572-077
4	3	84	315.5	24572-029	24572-078
4	3	84	375.5	24572-030	24572-079
4	3	84	435.5	24572-031	24572-080
7	6	42	315.5	24572-040	24572-088
7	6	63	315.5	24572-041	24572-089
7	6	84	315.5	24572-042	24572-090
7	6	84	375.5	24572-043	24572-091
7	6	84	435.5	24572-044	24572-092

### Note

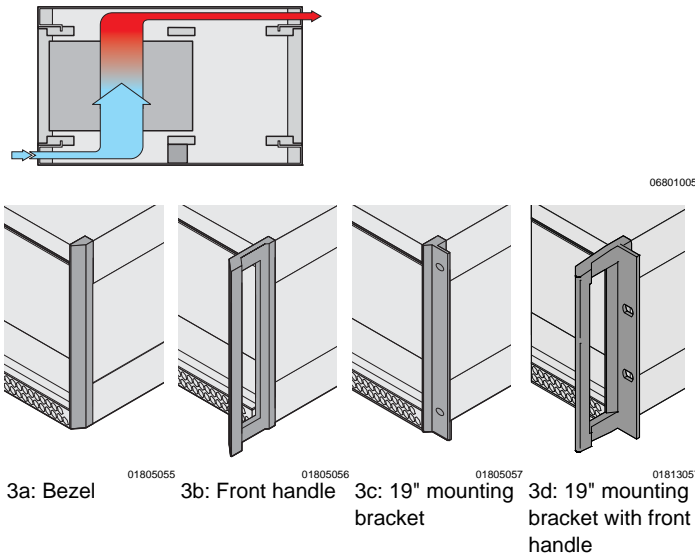
- Dimension drawings and mounting depths see page 5.16
- Components see page 5.18
- Front handles and 19" mounting brackets from page 5.24
- Guide rails from page 5.40

5.13



## Desk-top cases - *ratiopac* PRO air

### RatiopacPRO air case



- The case has 2 x 1/2 U clearances for ventilation beneath and above the board cage
- Cases for individual assembly with 19" standard components or specific internal mounting, e.g. with mounting plate
- Unshielded (EMC shielding retrofittable)
- Symmetrical design, identical front and rear side
- For board depth 160 mm, 220 mm, 280 mm, and 340 mm (depending on case depth)
- Online download of 3D CAD data
- Four versions:
  - Bezels
  - Front handles
  - 19" mounting brackets
  - With 19" mounting brackets and front handles

#### Delivery comprises (in kit form)

Item	Qty	Description
1	2	Side panel, Al, 2 mm, chromated
2	2	Side plate, Al, 1 mm, visible surfaces powder-coated, RAL 9006
3	2	Rear trim, Al die-cast, powder-coated, RAL 7016
3a	2	Bezel, Al die-cast, powder-coated, RAL 7016
3b	2	Front handle, Al die-cast, powder-coated, RAL 7016
3c	2	19" mounting angle, Al die-cast, powder-coated, RAL 7016
3d	2	19" mounting bracket with front handle, Al diecast, powder-coated, RAL 7016
4	4	Horizontal rail, type H-LD, Al, visible surfaces powder-coated, RAL 7016
11	2	1 Top cover and base plate, Al, 1 mm, internal surfaces conductive, visible surfaces powder-coated, RAL 9006, with GND/earthing connection, top cover and base plate with ventilation comb
12	4	Case foot with anti-slip protection, UL 94 V-0, PC black
13	2	Air filters
14	1	Fixing materials kit

3a, 3b, 3c or 3d according to selection

#### Note

- Order information see following page

#### Order Information

##### Accessories

<b>Earthing kit</b> CU wire, 1.5 mm <sup>2</sup> , PVC sleeve, green/yellow, 1 kit	24571-380
<b>Al diecast foot with tip-up</b> silver, 1 piece (SPQ 10)	10603-002
<b>Plastic tip-up foot</b> silver, similar to RAL 9006, PU 4 pieces	20603-001
<b>Plastic tip-up foot</b> anthracite, similar to RAL 7016, 4 pieces	20603-002
<b>Stacking aid</b> silver, similar to RAL 9006, PA, UL 94 V-0, PU 4 pieces	20603-004
<b>Stacking aid</b> anthracite, similar to RAL 7016, PA, UL 94 V-0, PU 4 pieces	20603-003



For further information [www.schroff.biz/oneclick](http://www.schroff.biz/oneclick)  
oneClick search code = Part no.

Drawing with front cover strip




ServicePLUS see page 5.4



Desk-top cases - **ratiopac PRO** air

RatiopacPRO air case

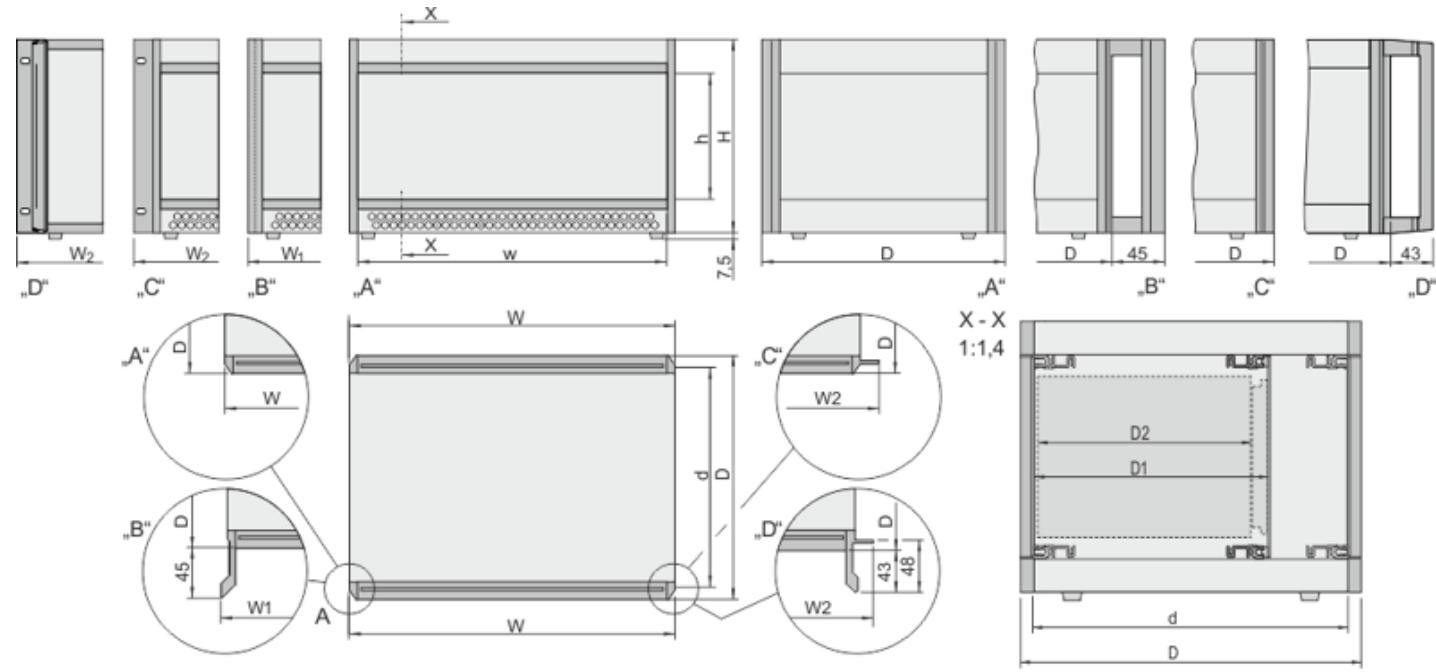
	Width W	Depth D	Case height H		
			4 U	5 U	7 U
			PCB height h		
					
	HP	mm	Part no.	Part no.	Part no.
<b>Bezels</b>	28	255.5	24571-146	24571-194	24571-242
	28	315.5	24571-149	24571-197	24571-245
	42	255.5	24571-158	24571-206	24571-254
	42	315.5	24571-161	24571-209	24571-257
	42	375.5	24571-162	24571-210	24571-258
	63	255.5	24571-170	24571-218	24571-266
	63	315.5	24571-173	24571-221	24571-269
	63	375.5	24571-174	24571-222	24571-270
	63	435.5	24571-175	24571-223	24571-271
	84	255.5	24571-182	24571-230	24571-278
	84	315.5	24571-185	24571-233	24571-281
	84	375.5	24571-186	24571-234	24571-282
	84	435.5	24571-187	24571-235	24571-283
	84	495.5	24571-188	24571-236	24571-284
<b>Front handles</b>	28	255.5	24571-846	24571-894	24571-942
	28	315.5	24571-849	24571-897	24571-945
	42	255.5	24571-858	24571-906	24571-954
	42	315.5	24571-861	24571-909	24571-957
	42	375.5	24571-862	24571-910	24571-958
	42	435.5	24571-863	24571-911	24571-959
	63	315.5	24571-873	24571-921	24571-969
	63	375.5	24571-874	24571-922	24571-970
	63	435.5	24571-875	24571-923	24571-971
	84	255.5	24571-882	24571-930	24571-978
	84	315.5	24571-885	24571-933	24571-981
	84	375.5	24571-886	24571-934	24571-982
	84	435.5	24571-887	24571-935	24571-983
	84	495.5	24571-888	24571-936	24571-984
<b>19" mounting brackets</b>	84	255.5	24571-582	24571-630	24571-678
	84	315.5	24571-585	24571-633	24571-681
	84	375.5	24571-586	24571-634	24571-682
	84	435.5	24571-587	24571-635	24571-683
	84	495.5	24571-588	24571-636	24571-684
<b>With 19" mounting brackets and front handles</b>	84	255.5	24572-670	-	24572-690
	84	315.5	24572-673	-	24572-693
	84	375.5	24572-674	-	24572-694
	84	435.5	24572-675	-	24572-695
	84	495.5	24572-676	-	24572-696

**Note**

- Dimension drawings and mounting depths see page 5.16
- Components see page 5.18

## Desk-top cases - *ratiopac* PRO air

### RatiopacPRO air dimension drawings



01805058

RatiopacPRO air with A - bezel; B - front handle; C - 19" mounting bracket; D - 19" mounting bracket with front handle

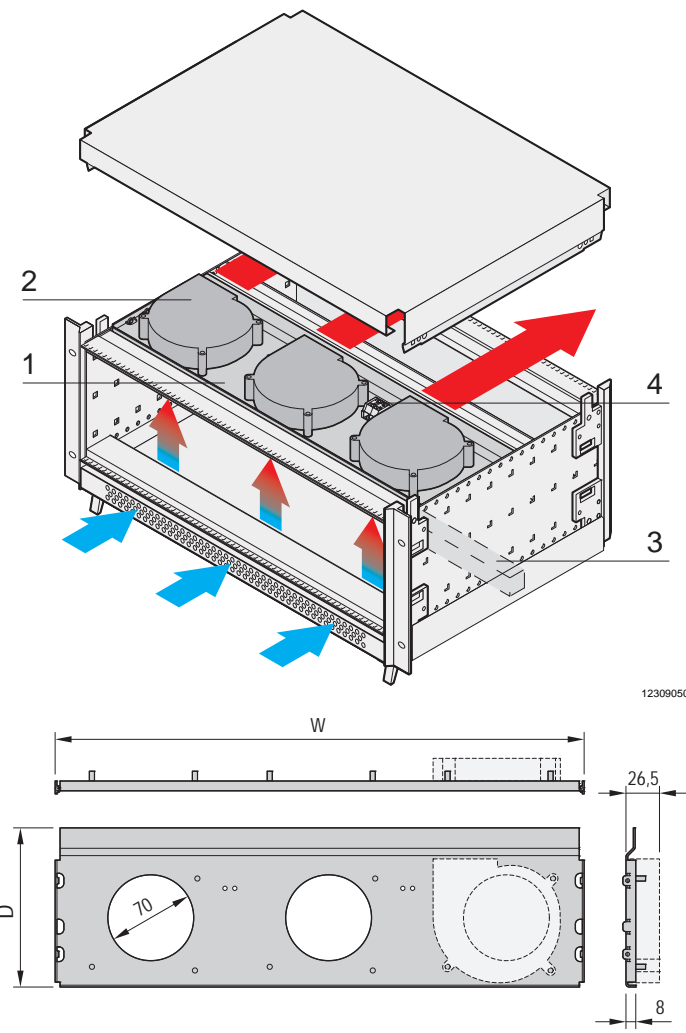
#### Dimensions table RatiopacPRO air

Height		Width						Depth			
in U	H in mm	H in mm	in HP	W in mm	W1 in mm	W2 in mm	w in mm	D Total depth in mm	d Usable depth in mm	D1 Plug-in depth in mm	d2 Board depth in mm
4	177.00	112.35	28	164.42	177.62	198.12	142.82	255.5	235.5	175	160
			42	235.54	248.74	269.24	213.94	315.5	295.5	235	220
			63	342.42	355.42	375.92	320.62			175	160
			84	448.90	462.10	482.60	427.30	235	220		
5	221.45	156.80	42	235.54	248.74	269.24	213.94	375.5	355.5	295	280
			63	342.42	355.42	375.92	320.62			175	160
			84	448.90	462.10	482.60	427.30			235	220
7	310.35	245.70	42	235.54	248.74	269.24	213.94	435.5	415.5	355	340
			63	342.42	355.42	375.92	320.62			175	160
			84	448.90	462.10	482.60	427.30			235	220
			295	280							
8	399.25	334.60	42	235.54	248.74	269.24	213.94	495.5	475.5	355	340
			63	342.42	355.42	375.92	320.62			175	160
			84	448.90	462.10	482.60	427.30			235	220

Components mountable in 15 mm depth grid

## Desk-top cases - *ratiopac PRO* air

### Radial fan unit for ratiopacPRO air



- Only 1/2 U height
- Ball-bearing radial fans
- Fan holder in 4 widths and 2 depths
- Air capacity 36 m³/h (free blowing) per fan
- Air exhaust via perforation in cover plate
- No mechanical modification to case necessary
- Simple mounting
- No restriction to rear mounting space

#### Delivery comprises (Kit)


Item	Qty	Description
1	1	Fan support, Al, 1.5 mm, with crimp sockets for mounting the fans
2	1-3	Radial fan, ball bearing, 12 V <sub>DC</sub> ; airflow volume (50 Hz) 36 m³/h, free blowing; power consumption 6.7 W; connecting cable 300 mm, without plug (AWG 26); noise level in dB (A): 47.0; max. static pressure in Pa: 190; max. ambient temperature: 60 °C; fan housing and rotor: UL 94 V-0
3	1	Compartment seal, PE foam, UL 94, self-adhesive, temperature range -20 °C ... +85 °C
4	1	Terminal clamp, UL 90 V-0
5	1	Assembly kit

#### Order Information

Width HP	Width mm	Number of fans	Part no. for PCB depth	
			160 mm	220 mm
28	146.87	1	<b>24572-404</b>	24572-408
42	218.00	1	24572-405	<b>24572-409</b>
63	324.67	2	24572-406	<b>24572-410</b>
84	431.35	3	24572-407	<b>24572-411</b>

#### Note

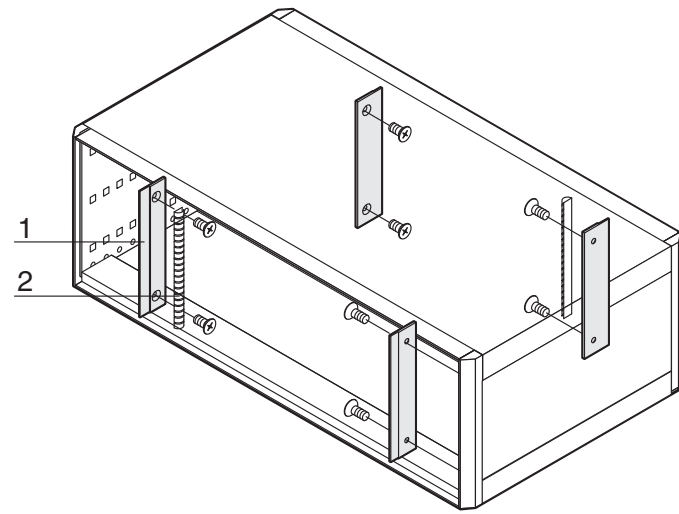
- Further configurations available on request
- Fans with tachometer signal available on request

 For further information [www.schroff.biz/oneclick](http://www.schroff.biz/oneclick)  
oneClick search code = Part no.

Depth D: 129.8 / 189.9 mm for 160 mm / 220 mm euroboards

## Desk-top cases - *ratiopac PRO* / -air

### EMC sealing front/rear panel to side panel



rppr6639

- For vertical EMC shielding between sub-assemblies and side panel
- Scope of delivery sufficient for one case

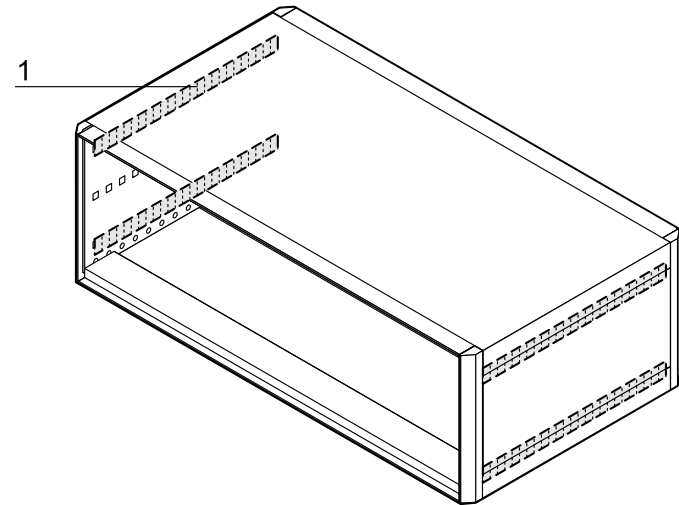
#### Delivery comprises (kit)

Item	Qty	Description
1	4	EMC support profile, Al extrusion
2	2	EMC sealing (textile), core: foam, sleeve: textile cladding with CuNi coating
3	1	Assembly kit

#### Order Information

For case height	Part no.
<b>U</b>	
2, 3-air	24571-334
3, 4-air	24571-331
4, 5-air	24571-332
6, 7-air	24571-333
5, 6-air	24571-335

### EMC sealing side panel to cover plate



RPPR6640

- For horizontal EMC shielding between side panels and cover plates
- Scope of delivery sufficient for one case

#### Delivery comprises (kit)

Item	Qty	Description
1	4	Contact strip, stainless steel

#### Order Information

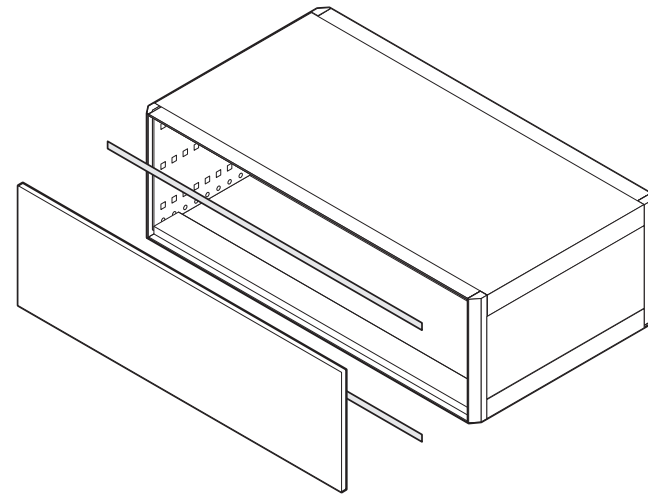
Depth mm	Part no.
255	24571-338
315	24571-339
375	24571-340
435	24571-341
495	24571-342



For further information [www.schroff.biz/oneclick](http://www.schroff.biz/oneclick)  
oneClick search code = Part no.

## Desk-top cases - *ratiopac PRO* / -air

### EMC sealing front/rear panel to horizontal rail



ppr6739

- The contact strip is clipped onto the horizontal rail and sets up the contact to front panel or rear panel
- Can be used for rear horizontal rails (H-VT, L-VT) and all front horizontal rails

#### Delivery comprises

Item	Qty	Description
1	10/100	Stainless steel EMC gasket

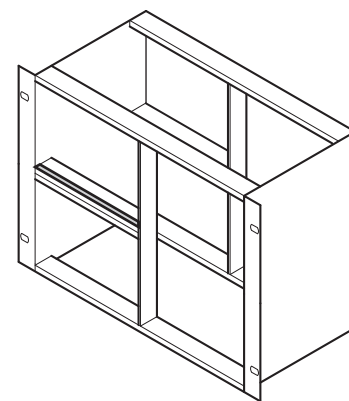
#### Order Information

Width HP	Width mm	Qty/PU	Part no.
28	131.78	10	24560-229
42	202.9	10	24560-231
63	304.8	10	24560-233
84	416.3	10	24560-235
84	416.3	100	24560-236

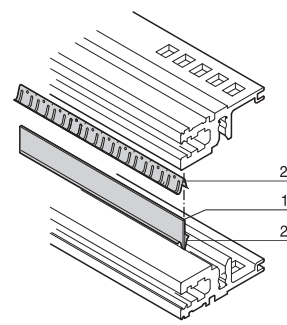


For further information [www.schroff.biz/oneclick](http://www.schroff.biz/oneclick)  
oneClick search code = Part no.

### EMC sealing horizontal rail to horizontal rail



BPA46548



BZA45877

- For shielding of two horizontal rails located directly above each other with vertical division of the mounting height

#### Delivery comprises

Item	Qty	Description
1	1	Cover strip, Al, 1 mm
2	2	Contact spring, St, stainless

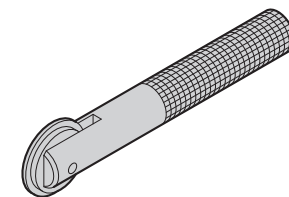
#### Order Information

Length HP	Part no.
20	24562-520
28	24562-528
40	24562-540
42	24562-542
63	24562-563
84	24562-584

**Assembly tool** for EMC sealing,  
St, stainless (horizontal rails), 1 piece



For further information [www.schroff.biz/oneclick](http://www.schroff.biz/oneclick)  
oneClick search code = Part no.



aza45937

Assembly tool

## Desk-top cases - *ratiopac* **PRO** / -air

EMC front/rear panel, slotted, shielded

- No screws required for fixing
- Special horizontal rails cover the edges of the front panel (top and bottom) and prevent bowing of the front panel

**NEW**

### Delivery comprises (Kit)

Item	Qty	Description
1	1	Full-width front panel, Al, 2.5 mm, front: anodised, rear: colour passivated
2	2	Horizontal rail, front; special for this front panel
3	4	EMC support profile
4	2	Contact strip horizontal rail - front panel
5	3	EMC textile gasket
6	1	Fixing material kit, user manual

### Order Information

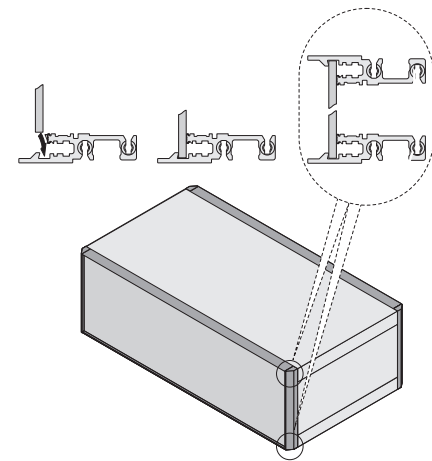
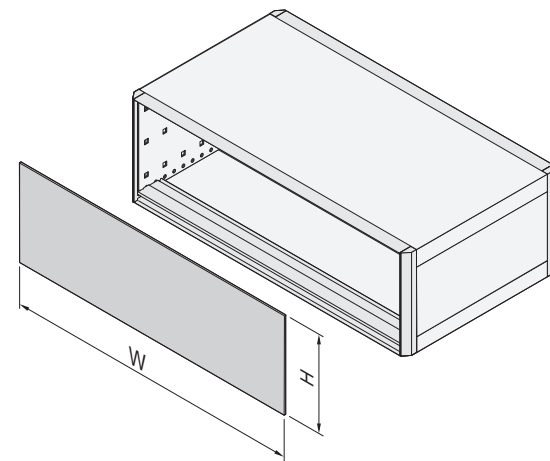
For case height	Height H	For case width	Width W	Part no.
U	mm	HP	mm	
2, 3-air	84.0	28	141.9	<b>24572-599</b>
2, 3-air	84.0	42	213.2	<b>24572-600</b>
2, 3-air	84.0	63	319.7	<b>24572-601</b>
2, 3-air	84.0	84	426.4	<b>24572-602</b>
3, 4-air	128.4	28	141.9	<b>24572-603</b>
3, 4-air	128.4	42	213.2	<b>24572-604</b>
3, 4-air	128.4	63	319.7	<b>24572-605</b>
3, 4-air	128.4	84	426.4	<b>24572-606</b>
4, 5-air	172.9	28	141.9	<b>24572-607</b>
4, 5-air	172.9	42	213.2	<b>24572-608</b>
4, 5-air	172.9	63	319.7	<b>24572-609</b>
4, 5-air	172.9	84	426.4	<b>24572-610</b>

### Note

- To obtain a shielded case, all EMC sealings must be fitted (front panel/rear panel - side panel; side panel - cover plate; front panel/rear panel - horizontal rail; horizontal rail - horizontal rail)
- EMC sealing see from page 5.18



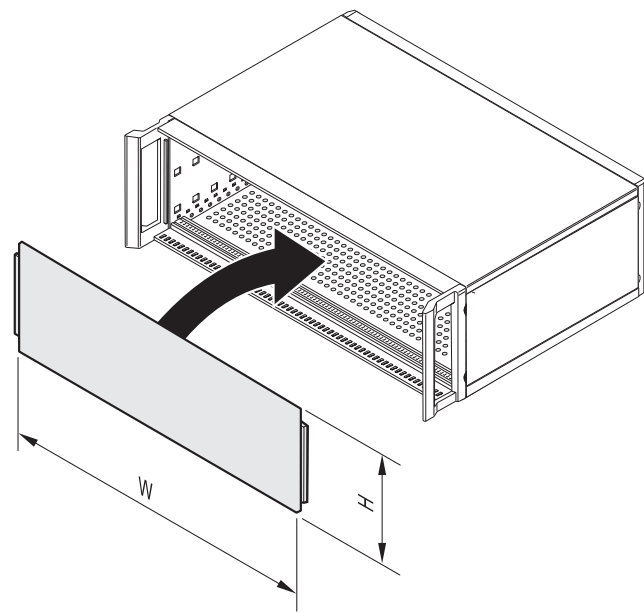
For further information [www.schroff.biz/oneclick](http://www.schroff.biz/oneclick)  
oneClick search code = Part no.



Front panel/horizontal rail

## Desk-top cases - *ratio*pac **PRO** / -air

Full-width front panel, slotted, unshielded



- Front panels can also be used as rear panels
- No screws required for fixing
- Inserted between side panel and castings such as trim, 19" mounting bracket or handle

### Delivery comprises

Item	Qty	Description
1	1	Front panel, Al, 2.5 mm, front: anodised, rear: colour passivated

### Order Information

For case height	Height H mm	For case width HP	Width W mm	Part no.
<b>U</b>	<b>mm</b>	<b>HP</b>	<b>mm</b>	
2, 3-air	84	28	141.9	34571-617
2, 3-air	84	42	213.2	34571-618
2, 3-air	84	63	319.7	34571-619
2, 3-air	84	84	426.4	34571-620
3, 4-air	128.4	28	141.9	34571-605
3, 4-air	128.4	42	213.2	34571-606
3, 4-air	128.4	63	319.7	34571-607
3, 4-air	128.4	84	426.4	34571-608
4, 5-air	172.9	28	141.9	34571-609
4, 5-air	172.9	42	213.2	34571-610
4, 5-air	172.9	63	319.7	34571-611
4, 5-air	172.9	84	426.4	34571-612
5, 6-air	217.3	28	141.9	34571-621
5, 6-air	217.3	42	213.2	34571-622
5, 6-air	217.3	63	319.7	34571-623
5, 6-air	217.3	84	426.4	34571-624
6, 7-air	261.8	28	141.9	34571-613
6, 7-air	261.8	42	213.2	34571-614
6, 7-air	261.8	63	319.7	34571-615
6, 7-air	261.8	84	426.4	34571-616

### Note

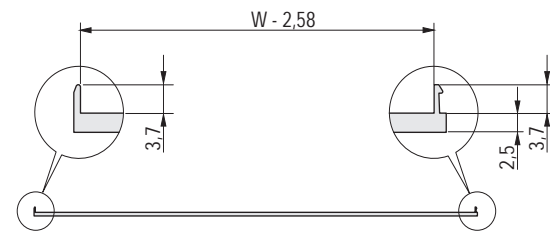
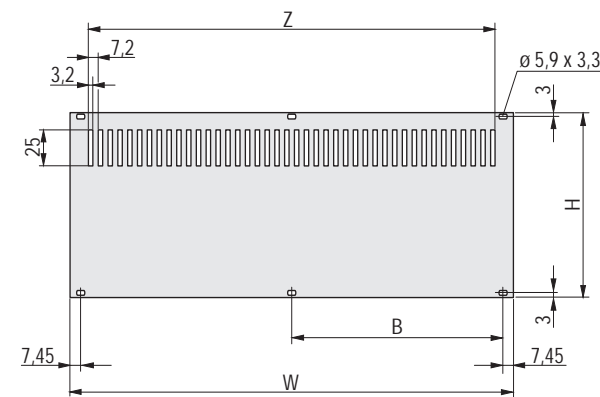
- Screw-fixed front panels see chapter Front panels, page 7.4



For further information [www.schroff.biz/oneclick](http://www.schroff.biz/oneclick)  
oneClick search code = Part no.

## Desk-top cases - *ratiopac PRO* / -air

### Rear panels with ventilation slots



Shieldable

01802055



Unshielded

01804050

- Two versions:  
unshielded, Al, 2.5 mm;  
shieldable, Al extrusion (textile EMC seal, retrofittable)
- Mounting on horizontal rails (top and bottom)

#### Delivery comprises

Item	Qty	Description
1	1	Rear panel, Al, 2.5 mm, front: anodised, rear: iridescent green chromated; unshielded or shieldable with EMC seal (textile)

#### Order Information

Height U	H mm	Width W HP mm	B mm	unshielded Part no.	shieldable Part no.
2, 3-air	84	28 141.9	-	30849-007	20848-679
2, 3-air	84	42 213	101.6	30849-014	20848-680
2, 3-air	84	63 319.7	157.5	30849-015	20848-681
2, 3-air	84	84 426.4	208.3	30849-016	20848-682
3, 4-air	128.4	28 141.9	-	30849-008	20848-633
3, 4-air	128.4	42 213	101.6	30849-021	20848-634
3, 4-air	128.4	63 319.7	157.5	30849-022	20848-635
3, 4-air	128.4	84 426.4	208.3	30849-023	20848-636
4, 5-air	172.9	28 141.9	-	30849-009	20848-656
4, 5-air	172.9	42 213	101.6	30849-028	20848-657
4, 5-air	172.9	63 319.7	157.5	30849-029	20848-658
4, 5-air	172.9	84 426.4	208.3	30849-030	20848-659
5, 6-air	217.3	28 141.9	-	30849-011	20848-744
5, 6-air	217.3	42 213	101.6	30849-171	20848-745
5, 6-air	217.3	63 319.7	157.5	30849-172	20848-746
5, 6-air	217.3	84 426.4	208.3	30849-173	20848-747
6, 7-air	261.8	28 141.9	-	30849-010	20848-640
6, 7-air	261.8	42 213	101.6	30849-035	20848-641
6, 7-air	261.8	63 319.7	157.5	30849-036	20848-642
6, 7-air	261.8	84 426.4	208.3	30849-037	20848-643

- Please order textile EMC seals separately
- Assembly parts see page Chapter 7, Front panels
- Rear/front panels without perforation see Chapter 7, Front panels
- Rear panels with fan available on request

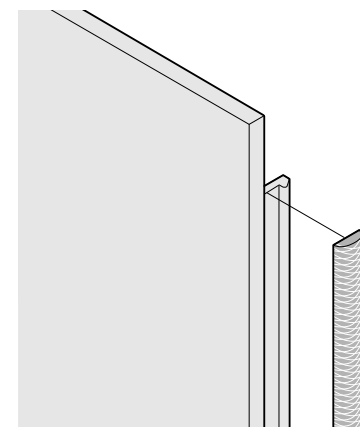
### Textile EMC seals

#### Delivery comprises

Item	Qty	Description
1	10/100	Textile EMC seal, core: foam, sleeve: textile cladding with CuNi coating

#### Order Information

Height U	Height mm	Qty/PU pieces	Part no.
2, 3-air	52	10	21101-857
3, 4-air	97	100	21101-854
3, 4-air	97	10	21101-853
4, 5-air	142	10	21101-858
5, 6-air	187	10	21101-978
6, 7-air	232	100	21101-856
6, 7-air	232	10	21101-855



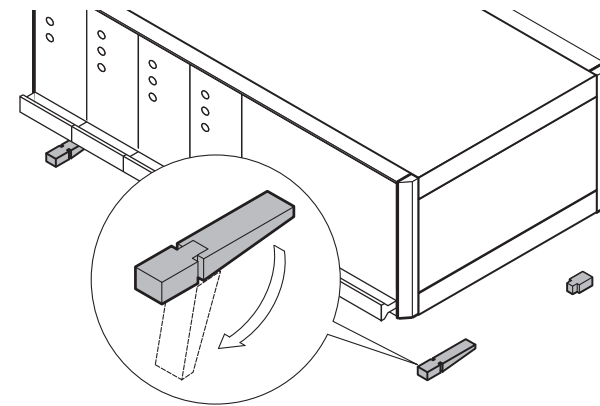
04602054

Part number in bold face type: ready for despatch within 2 working days  
Part number in normal type: ready for despatch within 10 working days

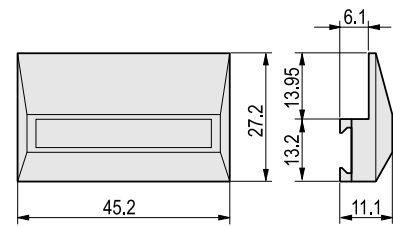
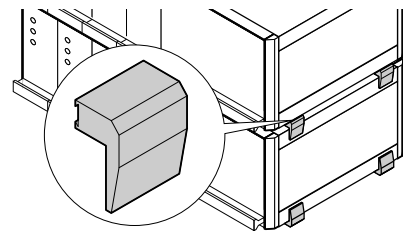


## Desk-top cases - *ratiopacPRO* / -air

### Tip-up feet and stacking aid/design element



Tip-up foot



Stacking aid/design element

- Can be used instead of standard feet
- Carrying capacity: 25 kg per foot
- Mounting holes in bottom of casing

#### Delivery comprises ((kit))

Item	Qty	Description
1	4	Foot, PA, UL 94 V-0
2	4	Anti-slip protection, TPE
3	2	Tip-up device, PA, UL 94 V-0
4	1	Assembly kit

#### Order Information

Description	Part no.
Tip-up foot, silver, similar to RAL 9006	20603-001
Tip-up foot, anthracite, similar to RAL 7016	20603-002
<b>Stacking aid/design element</b> silver, similar to RAL 9006, PA, UL 94 V-0, PU 4 pieces	20603-004
<b>Stacking aid/design element</b> anthracite, similar to RAL 7016, PA, UL 94 V-0, PU 4 pieces	20603-003

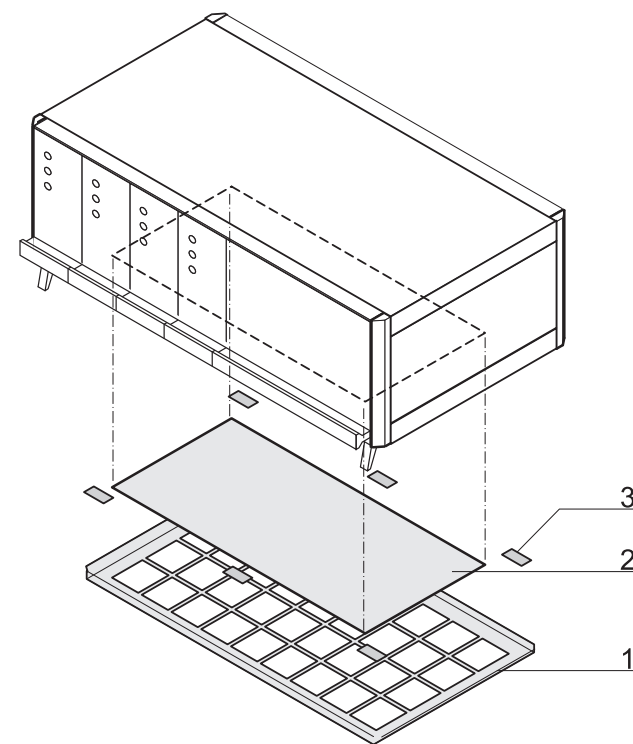
#### Note

- Tip-up feet are required to mount the stacking aid



For further information [www.schroff.biz/oneclick](http://www.schroff.biz/oneclick)  
oneClick search code = Part no.

### Air filters for ratiopacPRO air



- Retrofit mounting without reworking and tools
- Filter replacement without opening the case, IP protection retained

#### Delivery comprises (kit)

Item	Qty	Description
1	1	Filter holder, Al, 1 mm, powder-coated, RAL 9006
2	1	Filter mat, synthetic fibre
3	1	Self-adhesive fixings

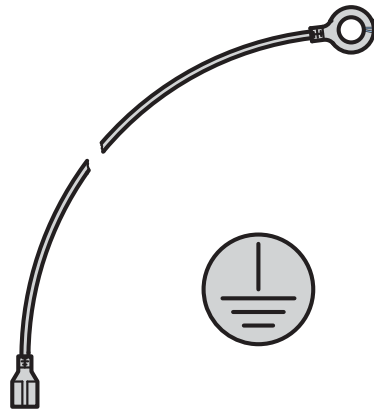
#### Order Information

For case width	Air filter	Replacement filter 1 piece
HP	Part no.	Part no.
28	24571-325	64571-033
42	24571-326	64571-034
63	24571-327	64571-035
84	24571-328	64571-036

- To optimise the air supply, tip-up feet must be fitted to the case, see page 5.23

## Desk-top cases - *ratiopac PRO* / -air

### Earthing kit



- Forms the GND/earthing connections between side panels, base plate, top cover and rear panel
- Protective GND/earthing connections in accordance with:
  - DIN EN 50178/VDE 0160
  - DIN EN 60950/VDE 0805
  - DIN EN 61010-1/VDE 0411 part 1
  - DIN EN 61010-1A2/VDE 0411 part 1/A1
- VDE tested

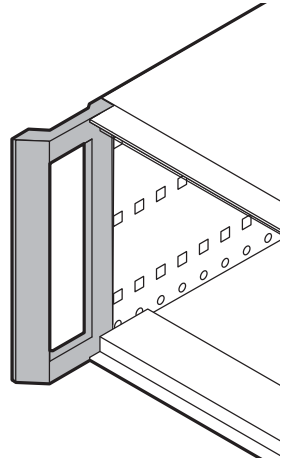
#### Order Information

Description	Part no.
GND/earthing kit, Cu wire 1.5 mm <sup>2</sup> , PVC sleeve, green/yellow	24571-380

aza43284

## Desk-top cases - *ratiopac*PRO

### Front handles for retrofitting



RPPR6651

- For conversion of cases with cover strip, 19" mounting bracket or 19" mounting bracket with front handle

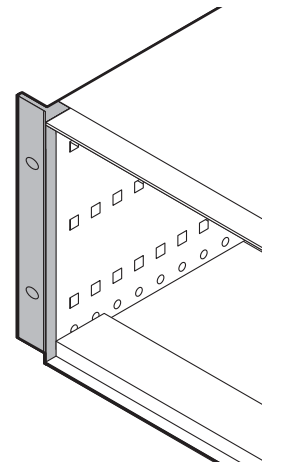
#### Delivery comprises

Item	Qty	Description
1	2	Front handle, Al die-cast, powder-coated, RAL 7016

#### Order Information

Front handle for	Part no.
RatiopacPRO 3 U	24571-301
RatiopacPRO 4 U	24571-302
RatiopacPRO 5 U	24571-993
RatiopacPRO 6 U	24571-303
RatiopacPRO air 3/4 U	24571-304
RatiopacPRO air 4/5 U	24571-305
RatiopacPRO air 6/7 U	24571-306

### 19" mounting brackets for retrofitting



RPPR6652

- For conversion of cases with cover strip, front handle or 19" mounting bracket with front handle

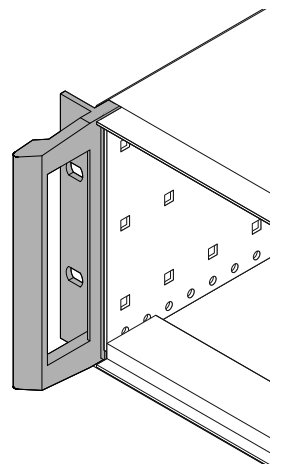
#### Delivery comprises

Qty	Description
2	19" mounting bracket, Al diecast, powder-coated, RAL 7016

#### Order Information

19" mounting angle	Part no.
RatiopacPRO 2 U	24571-994
RatiopacPRO 3 U	24571-295
RatiopacPRO 4 U	24571-296
RatiopacPRO 5 U	24571-992
RatiopacPRO 6 U	24571-297
RatiopacPRO air 4 U	24571-298
RatiopacPRO air 5 U	24571-299
RatiopacPRO air 7 U	24571-300

### 19" mounting bracket with front handle for conversion



01813056

- For conversion of cases with cover strip, front handle or 19" mounting bracket

#### Delivery comprises

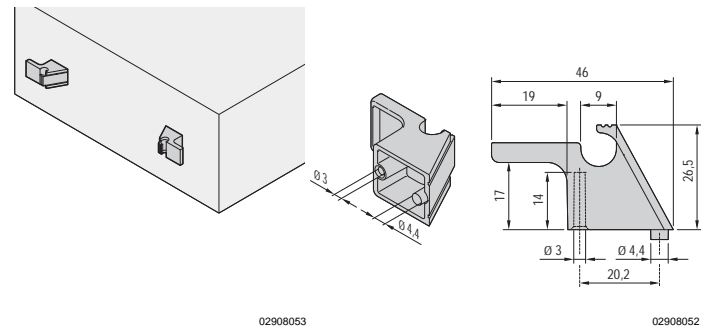
Qty	Description
2	19" mounting bracket with front handle, Al diecast, powder-coated, RAL 7016

#### Order Information

19" mounting angle	Part no.
RatiopacPRO 2 U	24572-700
RatiopacPRO 3 U	24572-701
RatiopacPRO 4 U	24572-702
RatiopacPRO 6 U	24572-704
RatiopacPRO air 4 U	24572-705
RatiopacPRO air 7 U	24572-707

## Desk-top cases - *ratiopac PRO* / -air

### Cable holder



#### Delivery comprises

Item	Qty	Description
1	2	Cable bracket, ABS, UL V-94 0, RAL 7016, detent for cables between 8 mm and 12 mm
2	1	Drilling template, two drilled holes each per bracket are needed in rear panel
3	1	Assembly kit

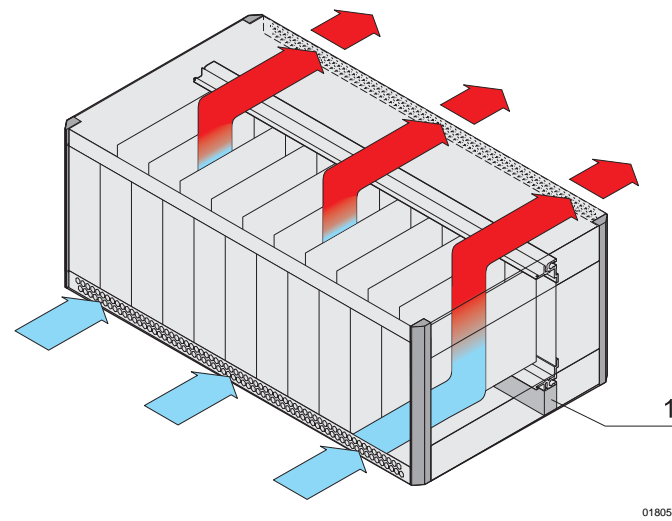
#### Order Information

Description	Part no.
Cable holder	24575-800



For further information [www.schroff.biz/oneclick](http://www.schroff.biz/oneclick)  
oneClick search code = Part no.

### Air baffles for ratiopacPRO air



- The air baffle (item 1) closes the space (1/2 U) between the rear horizontal rail and base plate

#### Delivery comprises (in kit form)

Item	Qty	Description
1	1	Compartment seal, PE foam, UL 94 HF 1 + HF 2, self-adhesive, temperature range: -40 °C ... +85 °C

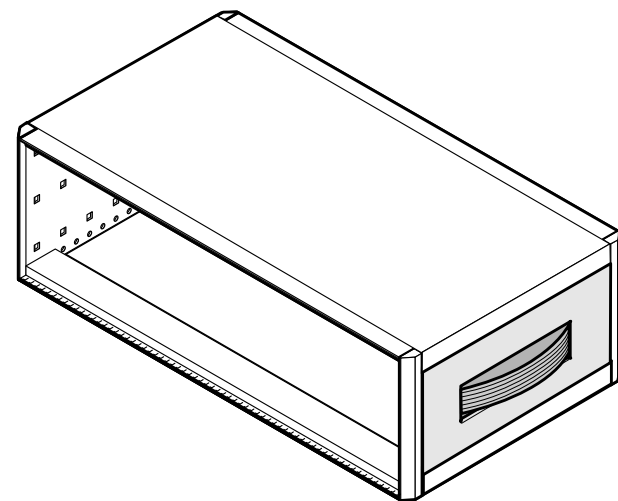
#### Order Information

For case width HP	Length mm	Part no.
42	218.4	20833-351
63	325.1	20833-352
84	431.8	20833-353

#### Note

- Fan rear panel available on request
- Radial fan unit see page 5.17

### Strap handles



- Retrofittable without mechanical modifications to the case
- Static load-carrying capacity 20 kg per pair

#### Delivery comprises (kit)

Item	Qty	Description
1	1	Handle, steel spring, plastic-sheathed (flexible plastic), RAL 7016
2	1	Side plate, Al, visible surfaces powder-coated, RAL 9006
3	2	Adaptor, Al die-cast
4	1	Assembly kit

#### Order Information

For case depth mm	For case height 3 U, 4 U air	For case height <sup>4</sup> HE, 5 Uair
	Part no.	Part no.
315	24571-308	24571-314
375	24571-309	24571-315
435	24571-310	24571-316

## Desk-top cases - *ratiopac*PRO / -air

### Tip-up carrying handles



06803006

- Retrofittable without mechanical modifications to the case
- Adjustable in 30° increments
- Static load-carrying capacity 30 kg

#### Delivery comprises (kit)

Item	Qty	Description
1	1	Carrying bar, Al extrusion, powder coated, RAL 9006
2	1	Handle shell, ABS, UL 94 V-0, RAL 7016
3	2	Tip-up protection, ABS, UL 94 V-0, RAL 7016
4	2	Notch device, Al die-cast
5	2	Cover cap, ABS, UL 94 V-0, RAL 7016

#### Order Information

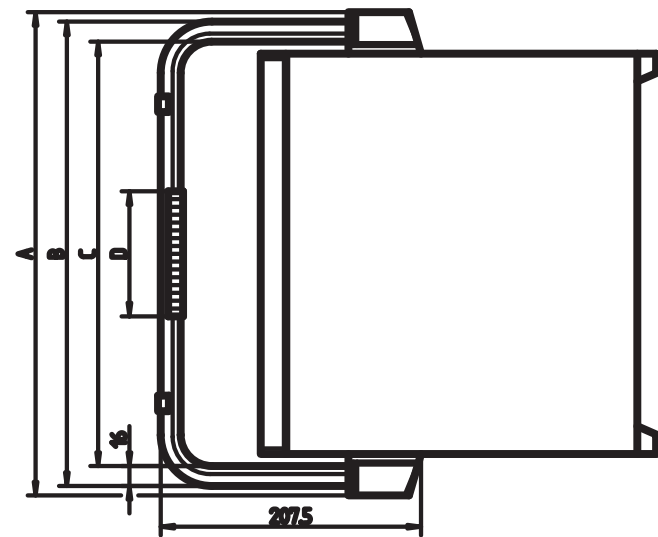
For case height	For case width	For case depth	Tip-up carrying handle	Assembly kit
U	HP	mm	Part no.	Part no.
3, 4-air	42	255	24571-320	24571-352
3, 4-air	42	315	24571-320	24571-353
3, 4-air	42	375	24571-320	24571-354
3, 4-air	42	435	24571-320	24571-355
3, 4-air	42	495	24571-320	24571-356
3, 4-air	63	255	24571-321	24571-352
3, 4-air	63	315	24571-321	24571-353
3, 4-air	63	375	24571-321	24571-354
3, 4-air	63	435	24571-321	24571-355
3, 4-air	63	495	24571-321	24571-356
3, 4-air	84	255	24571-322	24571-352
3, 4-air	84	315	24571-322	24571-353
3, 4-air	84	375	24571-322	24571-354
3, 4-air	84	435	24571-322	24571-355
3, 4-air	84	495	24571-322	24571-356
4, 5-air	42	255	24571-320	24571-359
4, 5-air	42	315	24571-320	24571-360
4, 5-air	42	375	24571-320	24571-361
4, 5-air	42	435	24571-320	24571-362
4, 5-air	42	495	24571-320	24571-363
4, 5-air	63	255	24571-321	24571-359
4, 5-air	63	315	24571-321	24571-360
4, 5-air	63	375	24571-321	24571-361
4, 5-air	63	435	24571-321	24571-362
4, 5-air	63	495	24571-321	24571-363
4, 5-air	84	255	24571-322	24571-359
4, 5-air	84	315	24571-322	24571-360
4, 5-air	84	375	24571-322	24571-361
4, 5-air	84	435	24571-322	24571-362
4, 5-air	84	495	24571-322	24571-363

#### Note

- Cannot be used in conjunction with front handles
- Assembly kit is required for tip-up carrying handle, please order separately

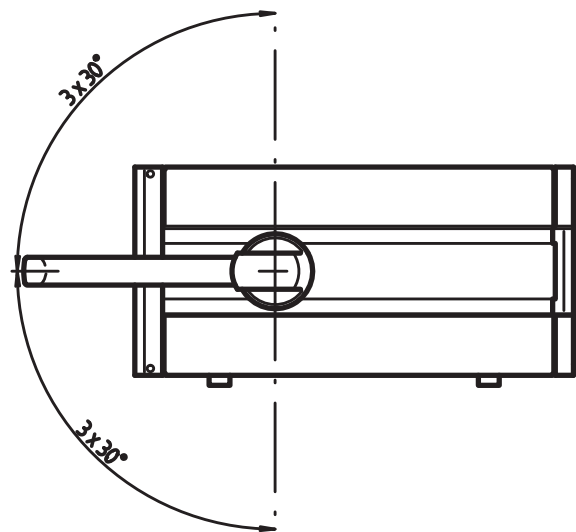


For further information [www.schroff.biz/oneclick](http://www.schroff.biz/oneclick)  
oneClick search code = Part no.



RPA43897

For case height	For case width	A	B	C	D
U	HP	mm	mm	mm	mm
3, 4, 4-air, 5-air	42	283,4	279,4	247,4	115
3, 4, 4-air, 5-air	63	390,1	386,1	354,1	195
3, 4, 4-air, 5-air	84	496,8	492,8	460,8	195

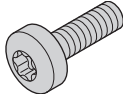


rpa43898

## Desk-top cases - *ratiopac PRO* / -air

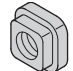
### Torx panhead screws

#### Order Information

	Description	Application	Material	Dimension	Qty/PU	Part no.
	Countersunk screw with Torx	For horizontal rail to side panel, with GND/earthing function	St, zinc-plated	M4 x 14	100	24571-371
<small>AZA45923</small>	Countersunk screw with Torx	For horizontal rail to side panel, if guide rail is bolted onto slot 1	St, zinc-plated	M4 x 10	100	24571-372

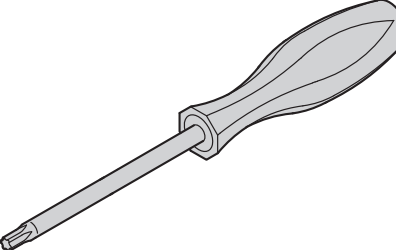
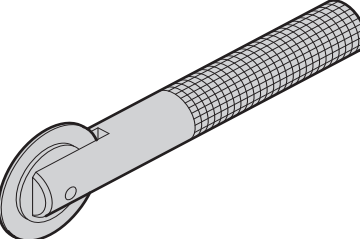
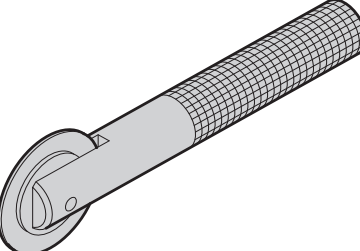
### Nut

#### Order Information

	Description	Application	Material	Dimension	Qty/PU	Part no.
	Square nut	For fixing: parts to side panels, support profiles, mounting plates	St, zinc-plated	M4	100	24560-140
<small>AZA45921</small>						

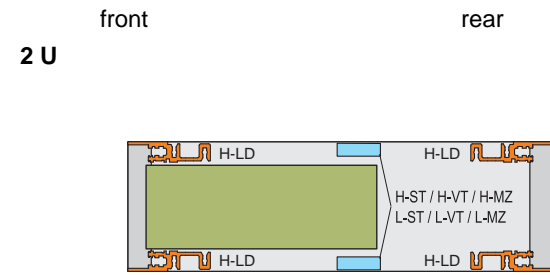
### Assembly tools

#### Order Information

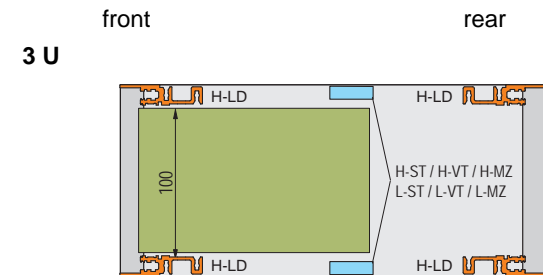
	Description	Application	Dimension	Qty/PU	Part no.
	Torx screwdriver		T8	1	64560-026
<small>AZA45925</small>			T20	1	64560-027
	Assembly tool for horizontal rails	Exclusively to fix stainless steel EMC gaskets in horizontal rails	–	1	24560-271
<small>aza45938</small>					
	Assembly tool for front panels	For mounting stainless steel EMC contact strips on front panels with lateral slot	–	1	24560-270
<small>aza45937</small>					

# Desk-top cases - *ratiopac PRO* / -air

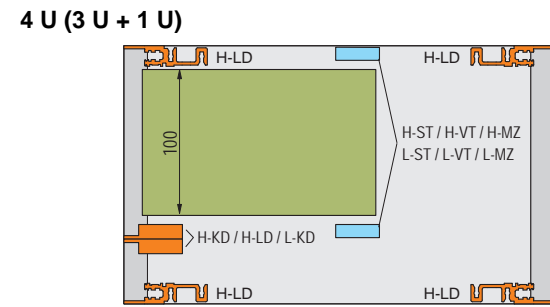
Mounting position *ratiopac PRO*  
horizontal rails/central rails



01805060



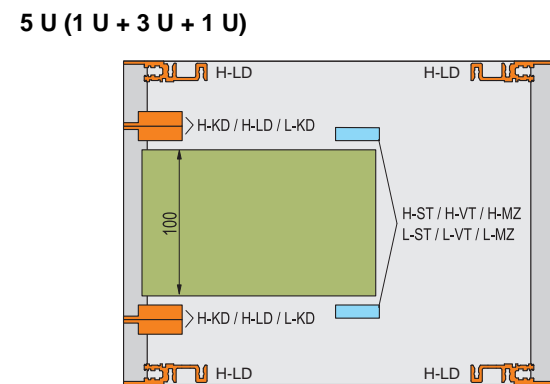
01802057



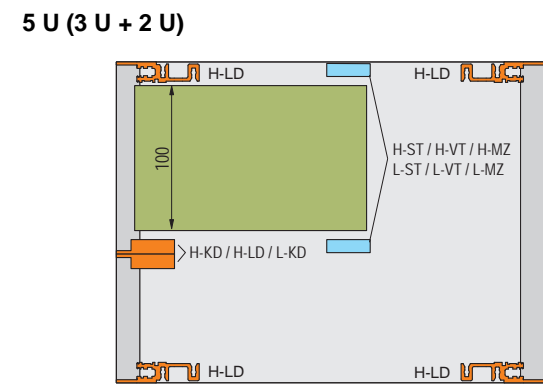
01802058



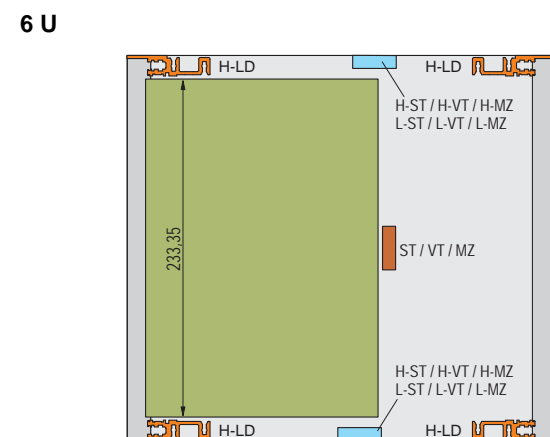
01805062



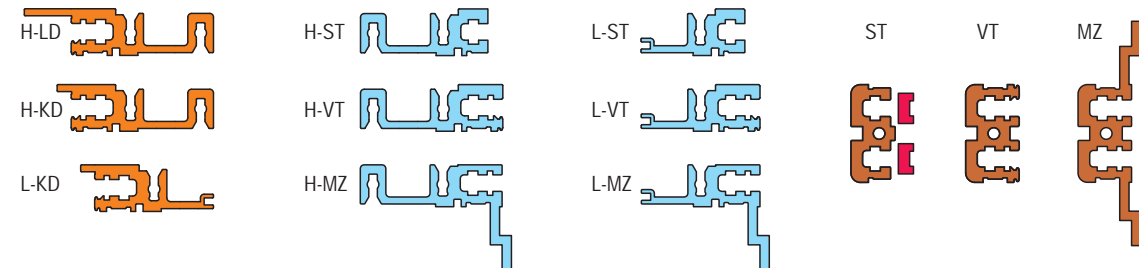
01805061



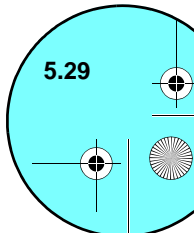
01802060



01802059



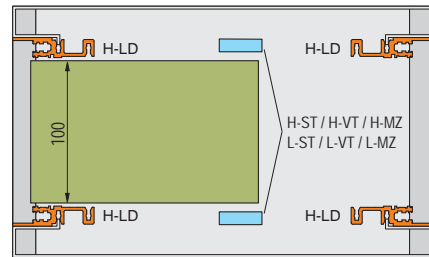
Horizontal rails can be bolted on in 15 mm depth grid



# Desk-top cases - *ratiopac PRO* / -air

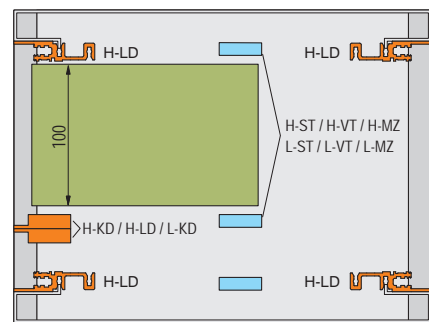
Mounting position ratiopacPRO air  
horizontal rails/central rails

front rear  
4-air U (1/2 U + 3 U + 1/2 U)



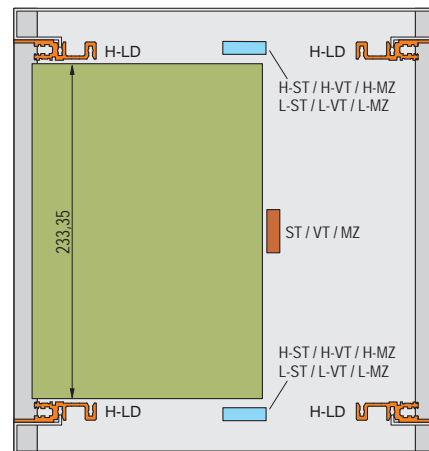
01802061

5-air U (1/2 U + 3 U + 1U +1/2 U)



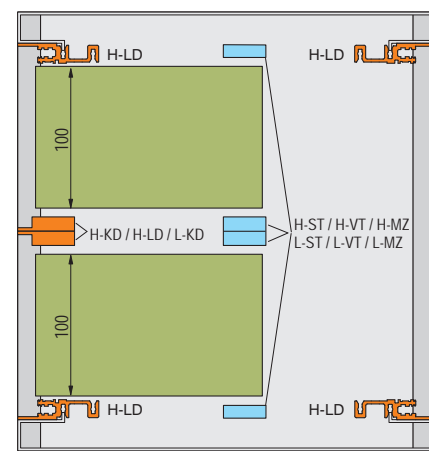
01802062

7-air U (1/2 U + 6 U + 1/2 U)

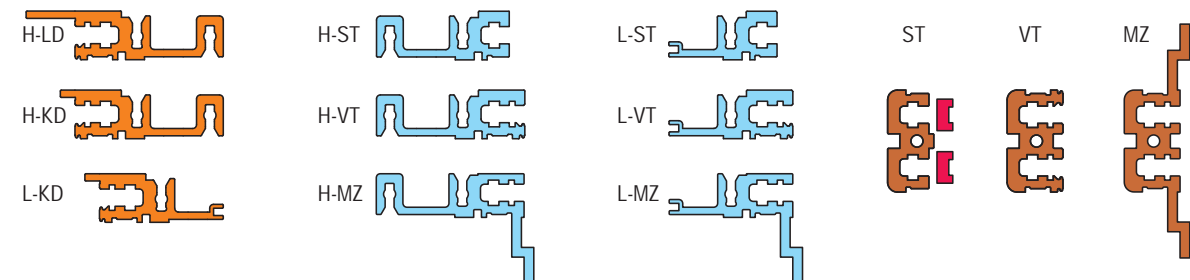


01802063

7-air U (1/2 U + 3 U + 3U 1/2 U)



01802064



Horizontal rails can be bolted on in 15 mm depth grid

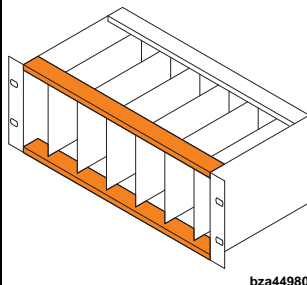


01808050



# Desk-top cases - *ratiopac PRO* / -air

## Front horizontal rails

### Order Information

 <p>bza44980</p>	<p><b>"heavy"</b> Type H-KD short lip</p>  <p>06197008</p> <p>Al extrusion, anodised finish, contact surface conducting, with printed HP markings</p>	<p>With long lip for insertion/extraction of CompactPCI and VME64x boards</p> <p><b>"heavy"</b> Type H-LD long lip</p>  <p>06197009</p> <p>Al extrusion, anodised finish, contact surface conducting, with printed HP markings</p>	
	<p><b>1 piece (SPQ 10)<sup>1)</sup></b></p>	<p><b>1 piece (SPQ 10)<sup>1)</sup></b></p>	
<p><b>Usable length HP</b></p>	<p><b>Length mm</b></p>		
28	147.32	<b>34560-228</b>	34560-328
42	218.44	34560-242	34560-342
63	325.12	34560-263	34560-363
84	431.80	34560-284	34560-384
M4 x 10, St, zinc-plated, necessary if guide rail is screwed to slot 1, PU 100 pieces		24571-372	24571-372
Threaded inserts see page		5.35	5.35

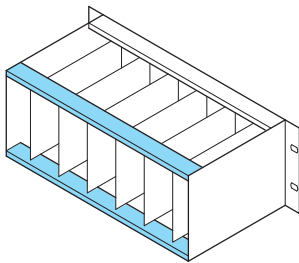

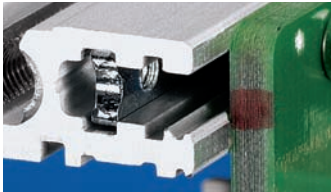



1) SPQ (standard pack quantity): Order number includes 1 piece, but delivery is exclusively made in standard pack quantity (SPQ); please order at least the SPQ quantity or a multiple thereof

"light": loading capacity up to approx. 7.5 kg; "heavy": loading capacity > 7.5 kg

# Desk-top cases - *ratiopac PRO* / -air

## Rear horizontal rails

### Order Information

		For indirect backplane fixing with insulation strip	For direct backplane fixing	For direct fixing of connectors to EN 60603-2 (DIN 41612)
		 06105074 "heavy" Type H-ST standard  06197011 Al extrusion, anodised finish, contact surface conducting, with printed HP markings	 04400002 "heavy" Type H-VT long lip  06197013 Al extrusion, anodised finish, contact surface conducting, with printed HP markings	 04400003 "heavy" Type H-MZ with Z-rail  06197015 Al extrusion, anodised finish, contact surface conducting, with printed HP markings
<b>Usable length</b>	<b>Length</b>	<b>1 piece (SPQ 10)<sup>1)</sup></b>	<b>1 piece (SPQ 10)<sup>1)</sup></b>	<b>1 piece (SPQ 10)<sup>1)</sup></b>
<b>HP</b>	<b>mm</b>			
28	147.32	34560-528	34560-728	34560-928
42	218.44	34560-542	34560-742	34560-942
63	325.12	34560-563	34560-763	34560-963
84	431.80	34560-584	34560-784	34560-984
Torx panhead screw, 4 x 10		24571-372	24571-372	24571-372
Perforated rail for connector mounting with insulation strip see page		5.35	-	-
Z-rail for connector mounting without insulation strip see page		5.35	-	-
Insulation strips see page		5.35	-	-
Threaded inserts see page		5.35	5.35	5.35

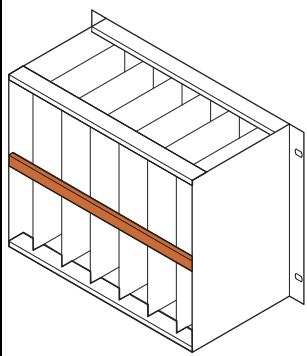






1) SPQ (standard pack quantity): Order number includes 1 piece, but delivery is exclusively made in standard pack quantity (SPQ); please order at least the SPQ quantity or a multiple thereof

"light": loading capacity up to approx. 7.5 kg; "heavy": loading capacity > 7.5 kg

# Desk-top cases - *ratiopac PRO* / -air

## Horizontal rails rear, centre

### Order Information

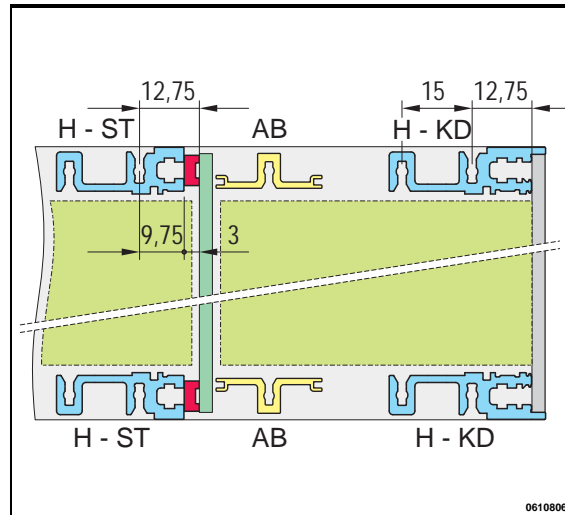
		For indirect mounting of backplanes via insulation strip	For direct backplane mounting	For direct fixing of connectors to EN 60603-2 (DIN 41612)
 <p>06108090</p>		 <p>04400001</p> <p><b>Type ST</b></p>  <p>06197016</p> <p>Al extrusion, finish anodised, conductive contact surface; horizontal rail type AB (AB = support) is required to fix the 80 mm rear I/O boards; without marking</p>	 <p>04400002</p> <p><b>Type VT</b></p>  <p>06197017</p> <p>Al extrusion, finish anodised, conductive contact surface; horizontal rail type AB (AB = support) is required to fix the 80 mm rear I/O boards; without marking</p>	 <p>04400003</p> <p><b>Type MZ</b></p>  <p>06197018</p> <p>Al extrusion, finish anodised, conductive contact surface; horizontal rail type AB (AB = support) is required to fix the 80 mm rear I/O boards; without marking</p>
<b>Usable length</b>	<b>Length</b>	<b>1 piece (SPQ 10)<sup>1)</sup></b>	<b>1 piece (SPQ 10)<sup>1)</sup></b>	<b>1 piece (SPQ 10)<sup>1)</sup></b>
<b>HP</b>	<b>mm</b>			
28	147.32	34561-028	34561-128	34561-228
42	218.44	34561-042	34561-142	34561-242
63	325.12	34561-063	34561-163	34561-263
84	431.80	34561-084	34561-184	34561-284
Torx panhead screw, 4 x 10		24571-372	24571-372	24571-372
Insulation strips see page		5.35	—	—
Threaded inserts see page		5.35	5.35	5.35

1) SPQ (standard pack quantity): Order number includes 1 piece, but delivery is exclusively made in standard pack quantity (SPQ); please order at least the SPQ quantity or a multiple thereof

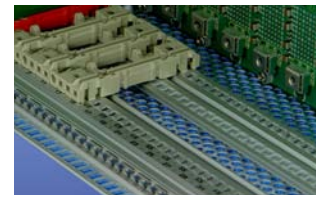
# Desk-top cases - *ratiopac PRO* / -air

Horizontal rails (type AB) for rear I/O guide rails

## Order Information



For CompactPCI in rear I/O area



Type AB



Al extrusion, finish anodised, conductive contact surface; horizontal rail type AB (AB = support) is required to fix the 80 mm rear I/O boards; without marking

**1 piece (SPQ 10)<sup>1)</sup>**

Usable length HP	Length mm	
20	106.68	34561-520
28	147.32	34561-528
40	208.28	34561-540
42	218.44	34561-542
63	325.12	34561-563
84	431.80	34561-584
—	1000	34561-501
Screw, M4 x 14, PU 100 pieces, for fastening horizontal rail to side panel		24560-130

1) SPQ (standard pack quantity): Order number includes 1 piece, but delivery is exclusively made in standard pack quantity (SPQ); please order at least the SPQ quantity or a multiple thereof  
 "light": loading capacity up to approx. 7.5 kg; "heavy": loading capacity > 7.5 kg

### Note

- All horizontal rails without print
- 1000 mm version without M4 thread in end

## Desk-top cases - *ratiopac* **PRO** / -air

### Threaded inserts, perforated strips, insulation strips

Usable length HP	Threaded insert		Perforated strip (item 1)		Insulation strip		
	Length mm	1 piece (SPQ 10) <sup>1)</sup>	1 piece (SPQ 10) <sup>1)</sup>	Length mm	1 piece (SPQ 10) <sup>1)</sup>	Length mm	PU 10 pieces <sup>2)</sup>
28	146.82	34561-328	–	147.12	30845-197	144.20	24560-828
42	217.94	34561-342	–	218.24	30845-211	210.40	24560-842
63	324.62	34561-363	–	324.92	30845-232	316.88	24560-863
84	431.30	34561-384	34561-484	431.60	30845-253	428.64	24560-884

#### Accessories

Grub screw M2.5 x 8, PU 100 pieces	21100-276	–	–	–	–	–
Grub screw M2.5 x 9, PU 100 pieces	–	–	–	21101-359	–	–
Grub screw M3 x 8, PU 100 pieces	–	21100-646	–	–	–	–

1) SPQ (standard pack quantity): Order number includes 1 piece, but delivery is exclusively made in standard pack quantity (SPQ); please order at least the SPQ quantity or a multiple thereof

2) Part no. includes one packing unit (PU); delivery is exclusively made in PU

### Z-rails, perforated rails

Usable length HP	Length mm	Z-rail for connectors		Perforated rail
		DIN EN 60603-2, DIN 41612 item 1	31-pin, DIN 41617	EN 606032, DIN 41612 item 1
28	142.24	30822-033	–	20822-049
42	213.36	30822-047	–	20822-050
60	304.80	30822-065	30819-783	20822-047
84	426.70	30822-089	30819-808	20822-048
Torx panhead screw, to fix connector to perforated rail, M2.5 x 7, PU 100 pieces Item 3		24560-147	24560-147	24560-147
Torx panhead screw, to fix perforated rail to horizontal rail, M2.5 x 10, PU 100 pieces Item 2		24560-148	24560-148	24560-148

# Desk-top cases - *ratio*pac PRO / -air

## Divider plates

### Order Information

		Divider plates			
		Mounting position for stainless steel EMC gasket			Mounting position for textile EMC gasket
		 front rear <small>bpa45911</small>			 front rear <small>06105078</small>
<p>Stainless steel, 1 mm, is mounted by clipping onto horizontal rail, space requirement on component side 2 mm; mounting direction varies with shielding design (EMC stainless steel or textile gasket); retrofitting the divider plate in an already-assembled subrack/case will first require dismantling of the horizontal rails; where front panels are unshielded, both mounting directions are possible</p>					
<b>Height</b>	<b>Depth</b>	<b>A</b>	<b>B</b>	<b>H</b>	<b>1 piece</b>
<b>U</b>	<b>mm</b>	<b>mm</b>	<b>mm</b>	<b>mm</b>	
3	160	158.3	135.0	113.5	<b>34562-761</b>
3	220	218.3	195.0	113.5	34562-762
6	160	158.3	135.0	246.9	34562-763
6	220	218.3	195.0	246.9	34562-764

# Desk-top cases - *ratiopac PRO* / -air

## Mounting plates

### Order Information

HP	Width mm	Board lengths mm	Mounting plate	Assembly strip for partial widths
			1 piece	1 piece
28	146.88	160	34562-745	30840-021
28	146.88	220	34562-749	30840-033
28	146.88	280	34562-753	30840-045
28	146.88	340	34562-757	30840-057
42	217.99	160	34562-746	30840-021
42	217.99	220	34562-750	30840-033
42	217.99	280	34562-754	30840-045
42	217.99	340	34562-758	30840-057
63	324.67	160	34562-747	30840-021
63	324.67	220	34562-751	30840-033
63	324.67	280	34562-755	30840-045
63	324.67	340	34562-759	30840-057
84	431.35	160	34562-748	30840-021
84	431.35	220	34562-752	30840-033
84	431.35	280	34562-756	30840-045
84	431.35	340	34562-760	30840-057
<b>Assembly kit for mounting plate</b> PU 1 kit (Torx countersunk screw M4 x 5, St, zinc-plated, 12 pieces; screw M4 x 6, St, zinc-plated, 10 pieces; M4 square nut, St, zinc-plated, 10 pieces)			24560-184	-
<b>Assembly kit for assembly strips of mounting plate</b> Torx screw M2.5 x 5, St, zinc-plated, PU 100 pieces			-	24560-146

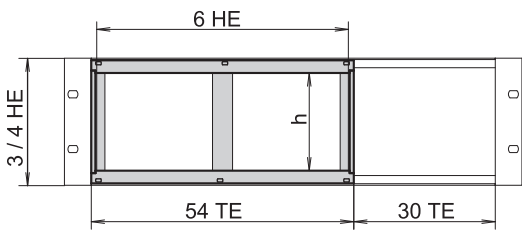


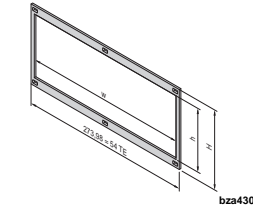

#### Note

- Please order fixing material for assembly of mounting plate separately
- A guide rail can be mounted on the first and last slot position
- 4.4" and "reinforced" guide rails cannot be used

# Desk-top cases - *ratiopac PRO* / -air

## Horizontal board installation

### Order Information

			Horizontal board installation		
			Board cage	Front frame for EMC shielding	Front frame, unshielded
Height	Usable height h	Other dimensions and options			
U	HP	Horizontal rail, front Horizontal rail, rear	PU 1 kit	PU 1 kit	1 piece
3	20		<b>24564-117</b>	<b>24564-109</b>	<b>34564-108</b>
3	20		24564-118	24564-109	34564-109
4	28		<b>24564-217</b>	<b>24564-209</b>	<b>34564-208</b>
Assembly tool, for mounting the EMC gasket (stainless steel) 			-	24560-270	-

\* For direct backplane mounting

### Note

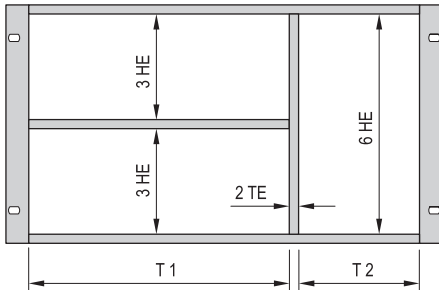
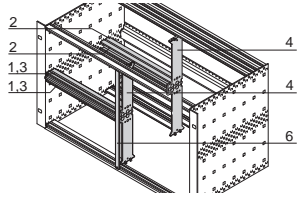
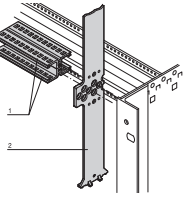
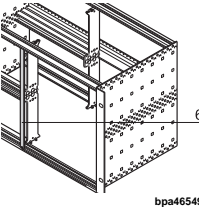
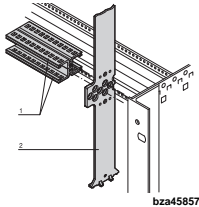
- Please order front frame separately



# Desk-top cases - *ratiopac PRO* / -air

Combined mountings (6 U and 2 x 3 U one above the other)

## Order Information

	Combined mounting	Alternative front panels for combined mounting		Splitting extrusion
	Horizontal and vertical subdivision (incl. front panel for stainless steel EMC gasket)	Unshielded front panel, 6 U, 2 HP item 6	Front panel for textile EMC gasket, 6 U, 2 HP item 6	For combined mounting Item 2
	 <p>Item 1: 2 front horizontal rails (H-KD), Al extrusion, anodised;                      item 2: 2 rear horizontal rails (AB), Al extrusion, anodised;                      item 3: threaded insert, St, zinc-plated;                      item 4: Zn die-cast support member;                      item 6: front panel 2 HP, 6 U, shielded; with EMC stainless steel gasket (84:0 without items 4, 6)</p>	 <p>Al, 2.5 mm, front anodised, rear iridescent green chromated</p>	 <p>Al, 2.5 mm, U-profile with notch, 6 U, 2 HP</p>	 <p>6 U, die-cast zinc; splitting extrusion is inserted in the grid holes of the horizontal rail; the splitting extrusion can be bolted</p>
<b>Width pitch T1:T2</b>	<b>PU 1 kit</b>	<b>1 (SPQ 5)</b>	<b>1 piece (SPQ 5)<sup>1)</sup></b>	<b>1 piece</b>
20:62	24562-420			
40:42	24562-440			
42:40	24562-442	30847-472	30849-140	64560-010
63:19	24562-463			
84:0	24562-484			
Countersunk screw with Torx M4 x 14, zinc-plated, PU 100 pieces fixing splitting extrusion/horizontal rail	–	–	–	24560-145
Panhead screw M2.5 x 10, St, zinc-plated, PU 100 pieces fixing horizontal rail/splitting extrusion	–	–	–	24560-179
Pozidrive/slotted collar screw M2.5 x 12.3, St, nickel-plated, PU 100 pieces	–	21101-101	21101-101	–
Pozidrive/slotted collar screw M2.5, black, zinc-plated, PU 100 pieces	–	21101-102	21101-102	–
Washer, 2.7 x 5 x 1, plastic PA 6, PU 100 pieces	–	21101-121	21101-121	–
Textile gasket, core: foam, sleeve: textile cladding with CuNi coating, UL 94 V-0, PU 10 pieces	–	–	21101-855	–

<sup>1)</sup> SPQ (standard pack quantity): Order number includes 1 piece, but delivery is exclusively made in standard pack quantity (SPQ); please order at least the SPQ quantity or a multiple thereof

- Subdivision of the 6 U assembly area into:
  - 2 x 3 U
  - 1 x 6 U
- Designed to accept Euroboards (100 mm high) and double Euroboards (233.35 mm high)

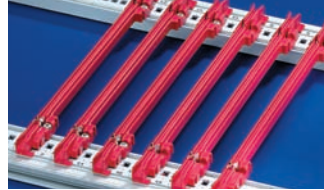
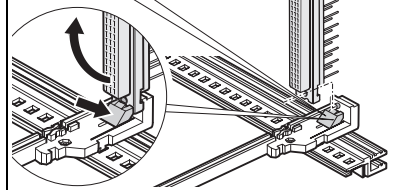
### Note

- Please order EMC gasketing kit for horizontal rails separately, see page 5.19
- Please order perforated strips for horizontal rails separately, see page 5.35
- Please order rear centre horizontal rail separately, see page 5.33

## Desk-top cases - *ratiopac PRO* / -air

Guide rails for plug-in units and modules, one-piece, groove width 2 mm and 2.5 mm

### Order Information

Assembly			For plug-in units and frame type plug-in units	
- can be clipped into Al extruded horizontal rails - can be clipped into 1.5 mm thick plates			Standard	With DIN connector fixing as standard
Storage temperature			 <p>Up to 220 mm length, PBT, UL 94 V-0; from 280 mm length, multi-piece, end piece PBT, UL 94 V-0, central section Al extrusion</p>	 <p>PBT, UL 94 V-0, red, connector is clipped directly onto the guide rails; for euroboards 100 x 160 mm or 100 x 220 mm only</p>
from -40 °C ... 130 °C				
Board lengths mm	Groove width mm	Colour mm	PU 10 pieces <sup>2)</sup>	1 pair (SPQ 10) <sup>1)</sup>
70	2	red	–	–
70	2	grey	–	–
160	2	red	24560-351	64560-074
220	2	red	24560-353	64560-075
280	2	red	24560-379	–
340	2	red	24560-380	–
160	2.5	red	–	–
220	2.5	red	–	–

### Accessories

Retention screw, PU 100 pieces		24560-141
ESD clip, PU 50 pieces		24560-255

1) SPQ (standard pack quantity): Order number includes 1 piece, but delivery is exclusively made in standard pack quantity (SPQ); please order at least the SPQ quantity or a multiple thereof

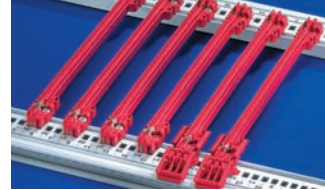
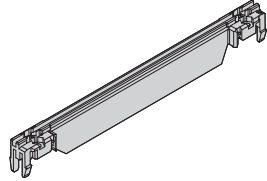
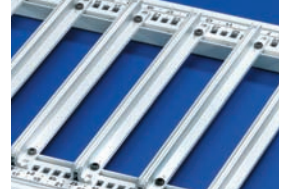
2) Part no. includes one packing unit (PU); delivery is exclusively made in PU

Description of accessories see from page 6.41

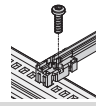
## Desk-top cases - *ratiopac PRO* / -air

Guide rails type "accessories", one-piece, groove width 2 mm and 2.5 mm

### Order Information

Assembly			"Accessories"	Guide rail type "Accessories" strengthened	For heavy modules, Al extrusion, silver, robust version
- can be clipped into horizontal rails in Al extrusion - can be clipped into 1.5 mm thick plate  <b>Storage temperature</b> from -40 °C ... +130 °C			 <p>Up to 220 mm length, PBT, UL 94 V-0;                      &gt; 280 mm length, multi-piece, end piece PBT, UL 94V-0, middle section Al extrusion</p>	 <p>PBT UL 94V-0, red; support beam of guide rails adds to strengthening</p>	 <p>Al extrusion; is screwed to horizontal rail "heavy" with retention screws</p>
Board lengths mm	Groove width mm	Colour mm	PU 10 pieces <sup>2)</sup>	1 piece (SPQ 50) <sup>1)</sup>	1 piece (SPQ 10) <sup>1)</sup>
100	2	red	–	–	–
160	2	red	24560-373	64560-076	–
160	2	grey	–	–	34562-881
220	2	red	24560-374	64560-078	–
220	2	grey	–	–	34562-882
280	2	red/silver	24560-375	64560-080	34562-883
340	2	red/silver	24560-376	–	34562-884
400	2	red/silver	–	–	34562-885
160	2.5	silver	–	–	34564-881
220	2.5	silver	–	–	34564-882
280	2.5	silver	–	–	34564-883
340	2.5	silver	–	–	34564-884
400	2.5	silver	–	–	34564-885

### Accessories

Retention screw, PU 100 pieces 	24560-141	24560-141	24560-157
ESD clip, PU 50 pieces		24560-255	–
Board locking, red, PU 10 pieces		24560-377	–
Board handle, red, PU 10 pieces		24560-378	–
Identification strips for board handle, red, PU 1 sheet = 438 pieces		60817-228	–
Coding see page		6.41	–

1) SPQ (standard pack quantity): Order number includes 1 piece, but delivery is exclusively made in standard pack quantity (SPQ); please order at least the SPQ quantity or a multiple thereof


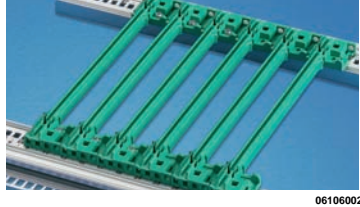


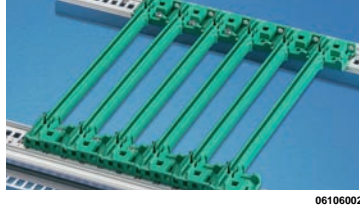

2) Part no. includes one packing unit (PU); delivery is exclusively made in PU

Description of accessories see from page 6.41

## Desk-top cases - *ratiopac PRO* / -air

Guide rails for CompactPCI, VME64x with coding,  
4.4" PCBs, groove width 2 mm and 2.5 mm

### Order Information

<b>Assembly</b> - can be clipped into Al extruded horizontal rails - can be clipped into 1.5 mm thick plates <b>Storage temperature</b> from -40 °C ... 130 °C			<b>For CompactPCI, VME64x with coding</b> <b>In accordance with IEEE 1101.10 and IEC 60297-3-103</b>	<b>Offset 0.1" for power supply units in accordance with IEEE 1101.10 and IEC 60297-3-103</b>	<b>For 4.4" PCBs</b>
  					
One-piece for groove width 2 mm, PBT, UL 94 V-0; multi-piece at groove width 2.5 mm, end-piece PBT, UL 94 V-0, center piece Al profile			PBT, UL 94 V-0, for installation of power supplies in CompactPCI systems or plug-in units with SMD placement		
<b>PU 10 pieces<sup>2)</sup></b>			<b>PU 10 pieces<sup>2)</sup></b>		
Board lengths mm	Groove width mm	Colour mm	<b>PU 10 pieces<sup>2)</sup></b>	<b>PU 10 pieces<sup>2)</sup></b>	<b>PU 10 pieces</b>
70	2	red	24560-355	-	-
70	2	grey	24560-360	-	-
160	2	red	24560-356	-	24560-361
160	2	grey	24560-358	-	-
160	2	green	-	24560-359	-
220	2	red	-	-	24560-362
220	2	grey	-	-	-
220	2	green	-	-	-
160	2.5	red	-	-	-
220	2.5	red	24561-330	-	-
220	2.5	grey	24561-340	-	-
280	2.5	red	24561-331	-	-
280	2.5	grey	24561-341	-	-
340	2.5	red	24561-332	-	-
340	2.5	grey	24561-342	-	-

### Accessories

ESD clip, PU 50 pieces	24560-255	-	-
ESD clips, for alignment pin, PU 50 pieces	24560-256	24560-256	-
Retention screw, PU 100 pieces	24560-141	24560-141	24560-158
Coding peg, PU 100 pieces	20817-501	20817-501	-

1) SPQ (standard pack quantity): Order number includes 1 piece, but delivery is exclusively made in standard pack quantity (SPQ); please order at least the SPQ quantity or a multiple thereof

2) Part no. includes one packing unit (PU); delivery is exclusively made in PU

Description of accessories see from page 6.41

### Note

- Reinforcement for plastic profiles (PVC) > 280 mm depth available on request

# Desk-top cases - *ratiopac* **PRO** / -air

## Air baffle for slots

### Order Information

Depth mm	Width HP	Height U	Air baffle with front panel		
			Air baffle without front panel	front panel with lateral groove for stainless steel EMC gasket	U front panel for textile EMC gasket
			Al, 1 mm, incl. assembly kit; prevents an air short circuit in unoccupied slot positions; is pushed into the groove of the guide rails	Air baffle, Al, 1 mm; front panel, Al, 2.5 mm, front anodised, rear conductive; EMC gasket (stainless steel); fixing material kit prevents an air short-circuit where slots are unoccupied; is pushed into the groove of the guide rails	Air deflector, Al, 1 mm, front panel, Al extrusion, 2.5 mm, front anodised, rear conductive; EMC gasket (textile); fixing material kit prevents an air short-circuit where slots are unoccupied; is pushed into the groove of the guide rails
			<b>1 piece</b>	<b>1 piece</b>	<b>1 piece</b>
160	4	3	34562-823	20848-712	20848-728
160	4	6	34562-826	20848-720	20848-736
160	8	3	34562-833	20848-714	20848-730
160	8	6	34562-836	20848-722	20848-738
160	12	3	34562-843	20848-716	20848-732
160	12	6	34562-846	20848-724	20848-740
220	4	3	34562-824	20848-713	20848-729
220	4	6	34562-827	20848-721	20848-736
220	8	3	34562-834	20848-715	20848-731
220	8	6	34562-837	20848-723	20848-739
220	12	3	34562-844	20848-717	20848-733
220	12	6	34562-847	20848-725	20848-741
Assembly tool for EMC gasket (stainless steel), 1 piece			–	24560-270	–

### Note

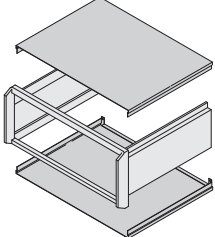
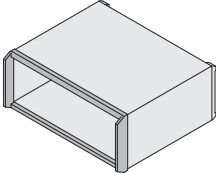
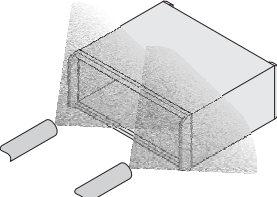

- Air baffle for 280 mm deep and for 80 mm rear I/O boards available on request

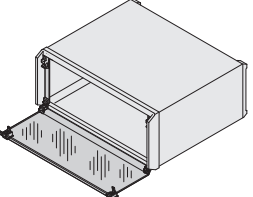
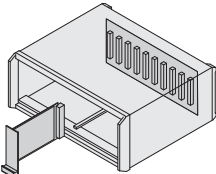
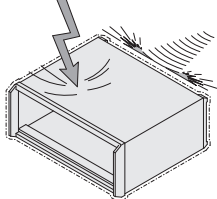
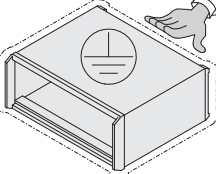
- Overview ..... 0
- Cabinets ..... 1
- Wall mounted cases ..... 2
- Accessories for cabinets and wall mounted cases 3
- Climate control 4
- Desk-top cases 5**
- Subracks/ 19" chassis ... 6
- Front panels, plug-in units .. 7
- Systems ..... 8
- Power supply units ..... 9
- Backplanes .. 10
- Connectors, front panel component system ..... 11
- Appendix .... 12

Desk-top cases - *propac PRO*



05809001

			
05806052	05806050	05806055	05806056
Easy access provided by removable cladding parts	Extremely robust one-piece die-cast frame	Non-sensitive, scratch-resistant finish through powder coating	Low weight

			
05806054	05806053	05806051	nos44075
Wide accessory programme with acrylic glass front hoods, carrying handles, ...	Assembly possibility for euroboards and backplanes	EMC version	VDE-compliant GND/earthing

- Standards**
- Internal dimensions in accordance with IEC 60297-3-101
  - Ingress protection IP 20 in accordance with IEC 60529
  - EMC test in accordance with VG 95373 part 15
  - Protective GND/earth connections in accordance with:
    - DIN EN 50178 / VDE 0160
    - DIN EN 60950 / VDE 0805
    - DIN EN 61010-1 / VDE 0411 part 1
    - DIN EN 61010-1A2 / VDE 0411 part 1/A1

Downloads and further important information can be found on the Internet under [www.schrack.biz](http://www.schrack.biz)

**Aluminium case for 19" components to IEC 60297-3-100 or individual electronics assemblies**

- Front frame and side panels in aluminium
- Extensive accessories, matched to portable applications
- Basic level shielding from basic versions up, extended EMC shielding retrofittable
- Design alternative to compacPRO

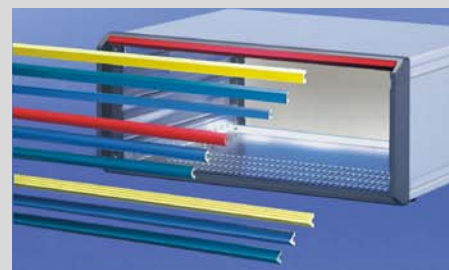


**Desktop cases**

- **Complete case (pre-assembled)**
  - Prepared for 19" components to IEC 60297 for installation of euroboards
  - Basic level shielding from basic versions up, extended EMC shielding retrofittable
  - Height 3 U, 6 U



- **Cases**
  - Pre-assembled cases as basis for individual components or 19" components (IEC 60297)
  - Basic level shielding from basic versions up, extended EMC shielding retrofittable
  - Height: 2 U, 3 U, 4 U, 6 U
  - 3 U and 4 U cases prepared for tip-up carrying handle



**Accessories**



**ServicePLUS from page 5.4**

- e.g. modifications (special colours, special depths, cut-outs in top cover, base plate or side panels)
- e.g. assembly service from 1 piece

[www.schroff.biz/ServicePLUS](http://www.schroff.biz/ServicePLUS)

**propacPRO**

Complete cases  
3, 6 U,  
unshielded/  
shielded ..... 5.46

Cases 2, 3 U .... 5.50

Cases 4, 6 U .... 5.51

Cases for tip-up  
carrying handle  
3, 4 U..... 5.52

Dimensions ..... 5.53

EMC shielding .. 5.55

**Accessories**

Front panels .... 5.54

Rear panels ..... 5.55

Design elements 5.58

Lateral covers .. 5.59

Handles ..... 5.60

Air filters ..... 5.61

Hoods ..... 5.62

Mounting plates. 5.64

GND/earthing kit 5.65

Cable holder ... 5.65

Mounting  
position  
horizontal/  
central rails .... 5.66

Horizontal rails . 5.67

Threaded inserts 5.68

Z-rails,  
perforated rails . 5.69

Combined  
mounting ..... 5.70

Horizontal board  
assembly ..... 5.71

Tip-up feet ..... 5.72

Guide rails and  
ESD clips ..... 5.73

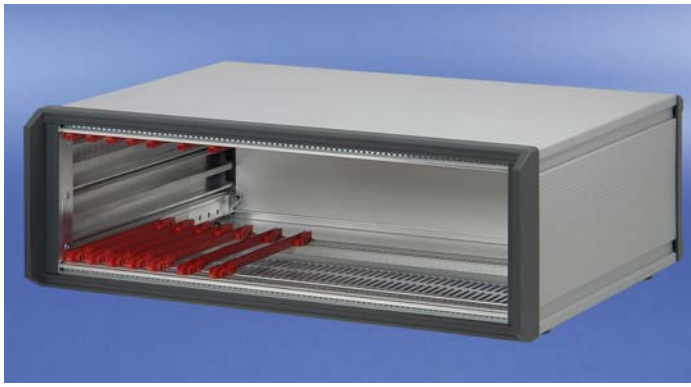
Divider plates .. 5.75

Air flow barrier .. 5.75

ServicePLUS.. 5.4

## Desk-top enclosure - *propac* PRO

Complete case,  
EMC shielded

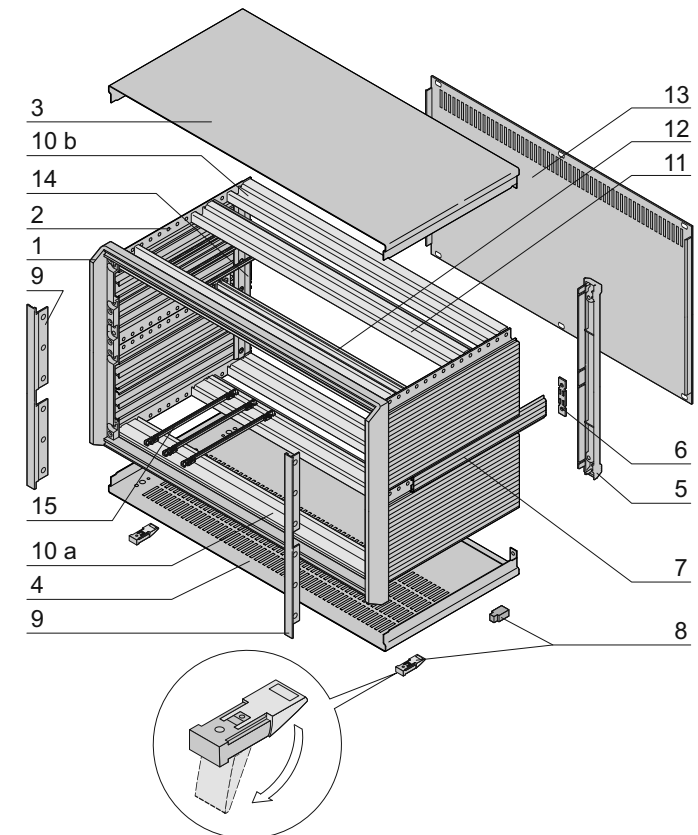


- Desk-top case with pre-configured components, in accordance with IEC 60297-3-101; prepared for 19" components such as plug-in units and euroboards
- Ventilation slots in base plate
- Rear panel with vent slots

### Delivery comprises (Items 1-7, 9 and 10 fitted)

Item	Qty		Description
	3 U	6 U	
1	1	1	Frame, Al die-cast, powder-coated, RAL 7016
2	2	4	Side panel, Al extrusion, powder-coated, RAL 9006, with EMC side panel gasketing
3	1	1	Cover plate, Al, 1 mm, internal surface conductive, visible surface powder-coated, RAL 9006, with GND/earthing tag
4	1	1	Base plate, Al, 1 mm, internal surface conductive, visible surface powder-coated, RAL 9006, with GND/earthing tag, base plate with 4 rows of ventilation slots
5	2	2	End piece for rear, ABS, RAL 7016, UL 94 V-0; can be used as a foot when case is used in vertical position
6	-	2	Adaptor bracket (only at 6 U)
7	-	2	Cover trim for side panel, Al extrusion, powder-coated, RAL 9006
8	4	4	Case foot with anti-slip protection, PC, black, UL 94 V-0 ( <b>20603-002</b> )
9	2	2	Lateral trim, Al extrusion, visible surface painted, RAL 7016 with EMC sealing (textile)
10a	2	2	Horizontal rail, Al extrusion, with threaded insert, St, M2.5; perforated strip, Al, 1 mm, EMC contact strip between front panel - horizontal rail - cover plate
10b	2	2	Horizontal rail, Al extrusion, with threaded insert, St, M2.5; EMC contact strip between rear panel - horizontal rail - cover plate
11	2	2	Centre horizontal rail top/bottom, Al extrusion, with threaded insert, St, M2.5 and insulation strip, PBT, UL 94 V-0 (for indirect backplane mounting); enclosed loose
12	-	1	Centre horizontal rail, Al extrusion, anodised, conductive surfaces, with two threaded inserts, St, M2.5 and two insulation strips, PBT, UL 94 V-0
13	1	1	Rear panel with perforation, Al, 2.5 mm, anodised, with EMC sealing (textile) affixed
14	2	2	EMC support profile rear, Al extrusion, EMC sealing (textile) affixed
15	10/ 20	10/ 20	Guide rail for 160 mm board length, PBT, UL 94 V-0, 28/42 HP 10 pieces, 63/84 HP 20 pieces
16	1	1	GND/earthing kit
17	1	1	Assembly kit

3 U



Maximale Einbautiefe = D - 45  
(Distanz: Frontplatte - Rückwand)

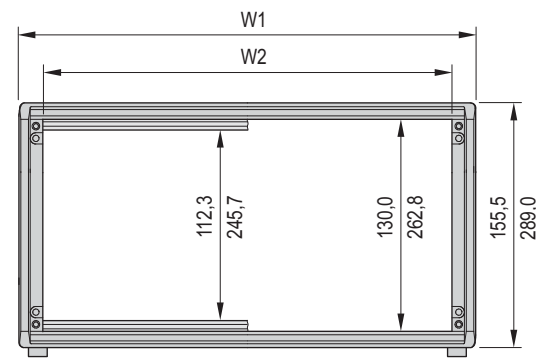


ServicePLUS see page 5.4



## Desk-top enclosure - *propac* PRO

Complete cases, EMC shielded



05809051

### Order Information

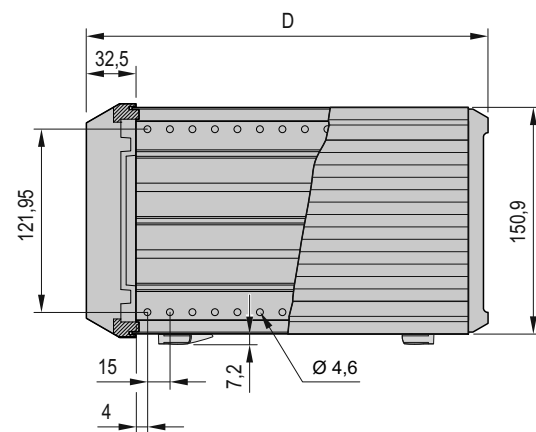
Usable width W2	Width W1	Depth D	Height	Part no.	
HP	mm	mm	U		
28	147.3	185.9	266	3	24576-101
28	147.3	185.9	326	3	24576-102
42	218.4	257	266	3	24576-103
42	218.4	257	326	3	24576-104
42	218.4	257	386	3	24576-105
63	325.1	363.7	266	3	24576-106
63	325.1	363.7	326	3	24576-107
63	325.1	363.7	386	3	24576-108
84	431.8	470.3	266	3	24576-109
84	431.8	470.3	326	3	24576-110
84	431.8	470.3	386	3	24576-111
84	431.8	470.3	446	3	24576-112
84	431.8	470.3	506	3	24576-113
84	431.8	470.3	326	6	24576-121
84	431.8	470.3	446	6	24576-122

### Note

- Dimension drawings of side panel see from page 5.53

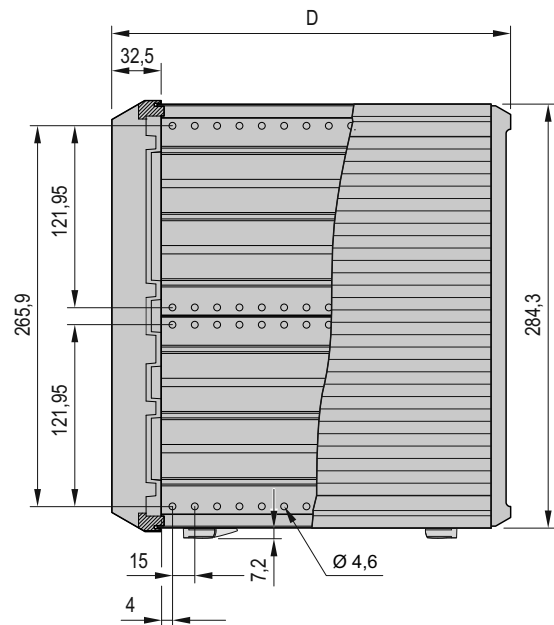


For further information [www.schroff.biz/oneclick](http://www.schroff.biz/oneclick)  
oneClick search code = Part no.



05806060

3 U

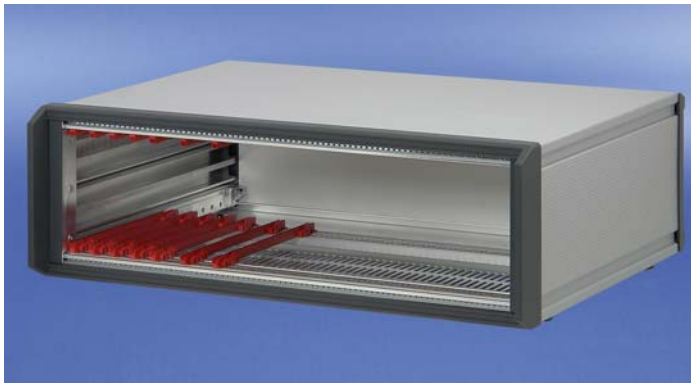


05806062

6 U

## Desk-top enclosure - *propac* PRO

Complete cases,  
unshielded

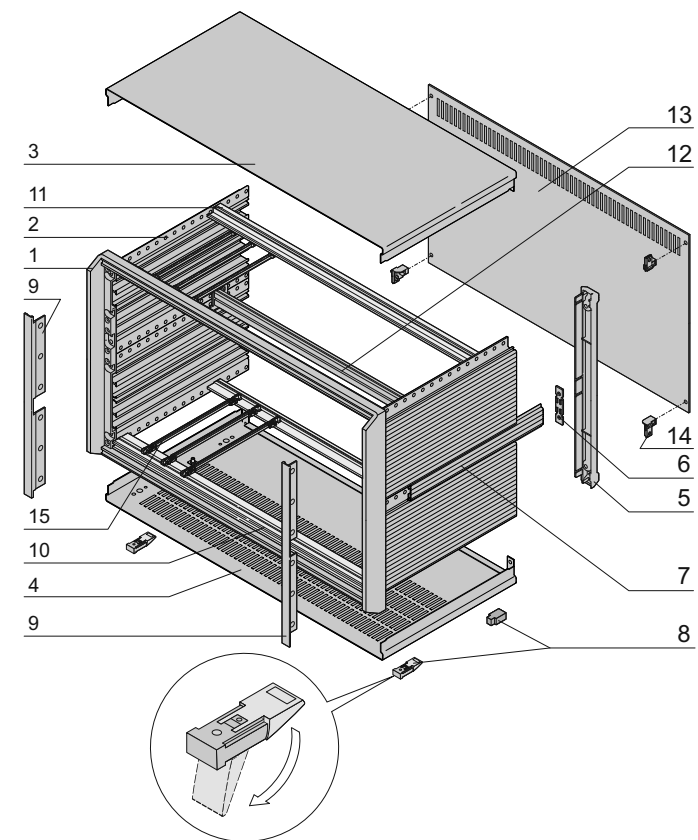


- Desk-top case with pre-configured components, in accordance with IEC 60297-3-101; prepared for 19" components such as plug-in units and euroboards
- Ventilation slots in base plate
- Rear panel perforated

**Delivery comprises** (Items 1-7, 9 and 10 fitted)

Item	Qty		Description
	3 U	6 U	
1	1	1	Frame, Al die-cast, powder-coated, RAL 7016
2	2	4	Side panel, Al extrusion, powder-coated, RAL 9006
3	1	1	Cover plate, Al, 1 mm, internal surface conductive, visible surface powder-coated, RAL 9006, with GND/earthing tag
4	1	1	Base plate, Al, 1 mm, internal surface conductive, visible surface powder-coated, RAL 9006, with GND/earthing tag, base plate with 4 rows of ventilation slots
5	2	2	End piece for rear, ABS, RAL 7016, UL 94 V-0; can be used as a foot for use in vertical position
6	-	2	Adaptor bracket (only at 6 U)
7	-	2	Cover trim for side panel, Al extrusion, powder-coated, RAL 9006
8	4	4	Case foot with anti-slip protection, PC, black, UL 94 V-0 ( <b>20603-002</b> )
9	2	2	Lateral trim, Al extrusion, visible surface painted, RAL 7016 with EMC sealing (textile)
10	2	2	Horizontal rail, Al extrusion, with threaded insert, St, M2.5
11	2	2	Rear horizontal rail, Al extrusion, with threaded insert, St, M2.5 and insulation strips, PBT, UL 94 V-0 (for indirect backplane mounting)
12	-	1	Centre horizontal rail, Al extrusion, anodised, conductive surfaces, with two threaded inserts, St, M2.5 and two insulation strips, PBT, UL 94 V-0
13	1	1	Rear panel with perforation, Al, anodised, 2 mm at 28, 42 and 63 HP, 2.5 mm at 84 HP
14	4	4	Support member for rear panel, Zn die-cast
15	10/ 20	10/ 20	Guide rail for 160 mm board length, PBT, UL 94 V-0, 28/42 HP 10 pieces, 63/84 HP 20 pieces
16	1	1	GND/earthing kit
17	1	1	Assembly kit

3 U



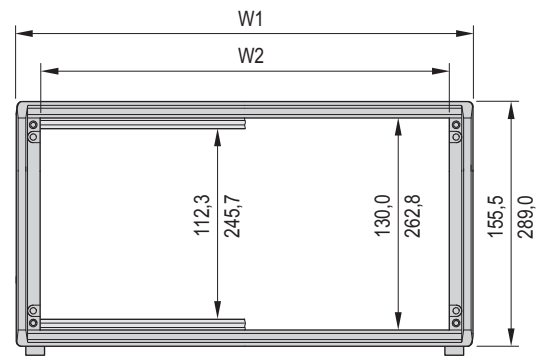
Maximum mounting depth = D - 45  
(Distance: front panel - rear panel)



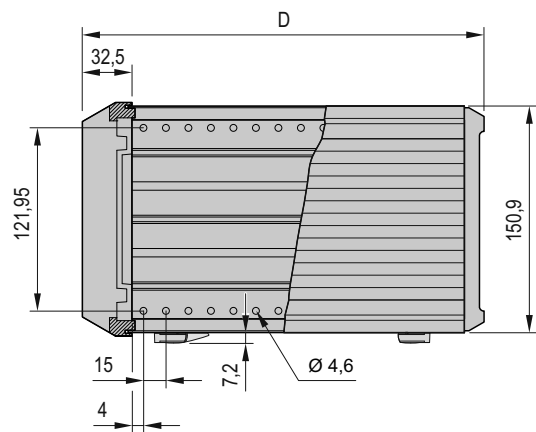
ServicePLUS see page 5.4

## Desk-top enclosure - *propac* PRO

Complete cases, unshielded



05809051



05806060

### Order Information

Usable width W2	Width W1	Depth D	Height	Part no.	
					mm
28	147.3	185.9	266	3	24576-001
28	147.3	185.9	326	3	24576-002
42	218.4	257	266	3	24576-003
42	218.4	257	326	3	24576-004
42	218.4	257	386	3	24576-005
63	325.1	363.7	266	3	24576-006
63	325.1	363.7	326	3	24576-007
63	325.1	363.7	386	3	24576-008
84	431.8	470.3	266	3	24576-009
84	431.8	470.3	326	3	24576-010
84	431.8	470.3	386	3	24576-011
84	431.8	470.3	446	3	24576-012
84	431.8	470.3	506	3	24576-013
84	431.8	470.3	326	6	24576-021
84	431.8	470.3	446	6	24576-022

Maximum mounting depth = D - 45  
(Distance: front panel - rear panel)

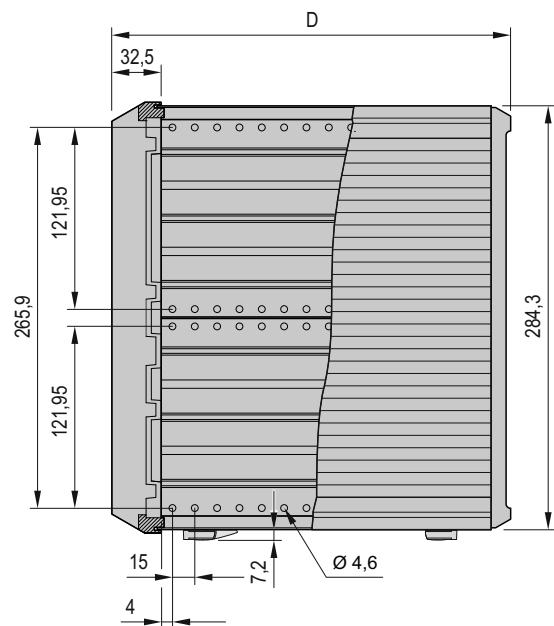
### Note

- Dimension drawings of side panel see from page 5.53



For further information [www.schroff.biz/oneclick](http://www.schroff.biz/oneclick)  
oneClick search code = Part no.

05806062



05806062

3 U

6 U

# Desk-top enclosure - *propac PRO*

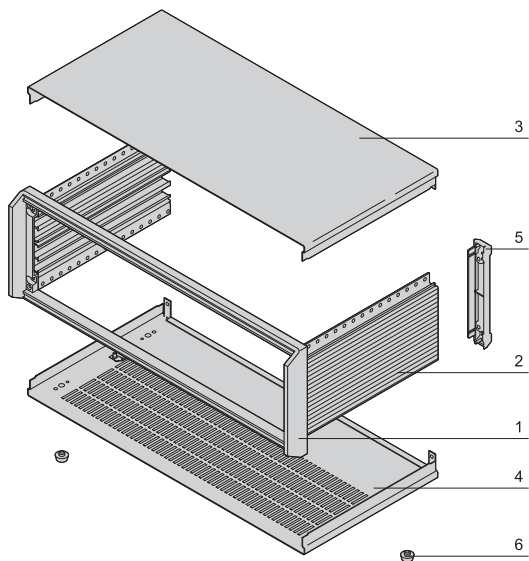
Cases, 2 and 3 U, unshielded



- Desk-top case with pre-configured components, in accordance with IEC 60297-3-101; prepared for 19" components such as plug-in units and euroboards
- Ventilation slots in base plate
- Prepared for GND/earthing

**Delivery comprises** (kit, items 1 - 5 fitted)

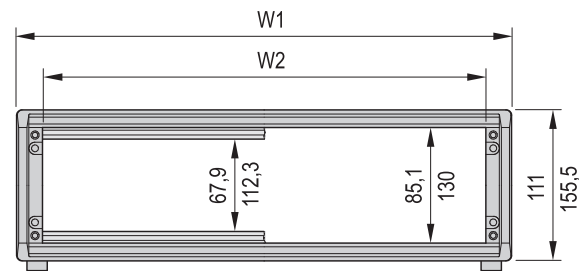
Item	Qty	Description
1	1	Frame, Al die-cast, powder-coated, RAL 7016
2	2	Side panel, Al extrusion, powder-coated, RAL 9006
3	1	Cover plate, Al, 1 mm, internal surface conductive, visible surface powder-coated, RAL 9006, with GND/earthing tag
4	1	Base plate, Al, 1 mm, internal surface conductive, visible surface powder-coated, RAL 9006, with GND/earthing tag, base plate with 4 rows of ventilation slots
5	2	End piece for rear, ABS, RAL 7016, UL 94 V-0; can be used as a foot for use in vertical position
6	4	Case foot with anti-slip protection, PC, black, UL 94 V-0
7	1	Assembly kit



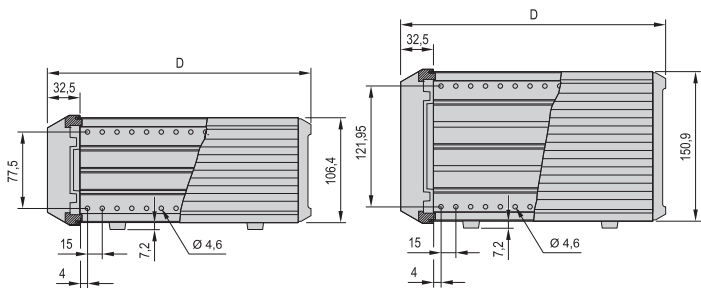
05806001

05806057

05806077



Cross-section 2 U, 3 U



05806059

05806060

2 U

3 U

## Order Information

Usable width	Width W1	Depth D	2 U	3 U	
W2	W2		Part no.	Part no.	
HP	mm	mm			
28	147.3	185.9	266	-	14576-101
28	147.3	185.9	326	-	14576-103
42	218.4	257	266	14576-021	14576-121
42	218.4	257	326	14576-023	14576-123
42	218.4	257	386	-	14576-125
63	325.1	363.7	266	14576-041	14576-141
63	325.1	363.7	326	14576-043	14576-143
63	325.1	363.7	386	14576-045	14576-145
84	431.8	470.3	266	-	14576-161
84	431.8	470.3	326	-	14576-163
84	431.8	470.3	386	-	14576-165
84	431.8	470.3	446	-	14576-167
84	431.8	470.3	506	-	14576-169

## Accessories

<b>GND/earthing kit</b> Cu wire 1.5 mm <sup>2</sup> , PVC sleeve, green/yellow, links side panels, base, cover and rear panel, PU 1 piece	21102-001
---	-----------

Maximum mounting depth = D - 45  
(Distance: front panel - rear panel)

## Note

- Case, 3 U with side panel for tip-up carrying handle, see page 5.52
- Dimensions see page 5.48
- Dimensions side panel, see page 5.53



For further information [www.schroff.biz/oneclick](http://www.schroff.biz/oneclick)  
oneClick search code = Part no.



ServicePLUS see page 5.4

5.50

Main Catalogue  
E 10/2012

Part number in bold face type: ready for despatch within 2 working days  
Part number in normal type: ready for despatch within 10 working days

# Desk-top enclosure - *propac* PRO

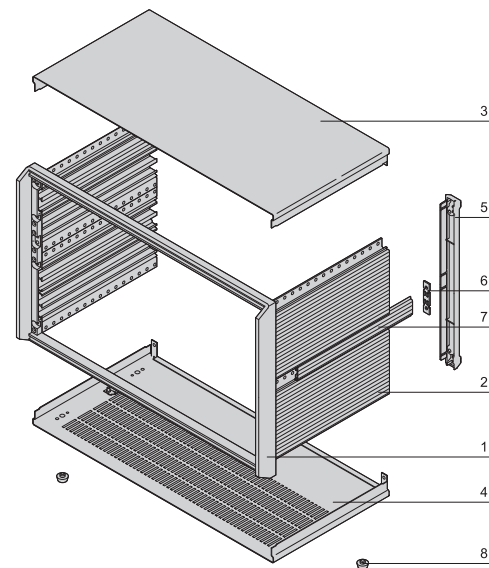
Cases, 4 and 6 U, unshielded



- Desk-top case with pre-configured components, in accordance with IEC 60297-3-101; prepared for 19" components such as plug-in units and euroboards
- Ventilation slots in base plate
- Prepared for GND/earthing

**Delivery comprises** (kit, items 1 - 6 fitted)

Item	Qty	Description	
	4 U	6 U	
1	1	1	Frame, Al die-cast, powder-coated, RAL 7016
2	2	4	Side panel, Al extrusion, powder-coated, RAL 9006
3	1	1	Cover plate, Al, 1 mm, internal surface conductive, visible surface powder-coated, RAL 9006, with GND/earthing tag
4	1	1	Base plate, Al, 1 mm, internal surface conductive, visible surface powder-coated, RAL 9006, with GND/earthing tag, base plate with 4 rows of ventilation slots
5	2	2	End piece for rear, ABS, RAL 7016, UL 94 V-0; can be used as a foot for use in vertical position
6	-	2	Adaptor bracket, Al
7	2	2	Cover trim for side panel, Al extrusion, powder-coated, RAL 9006
8	4	4	Case foot with anti-slip protection, PC, black, UL 94 V-0
9	1	1	Assembly kit



### Order Information

Usable width	Width W1	Depth D	4 U	6 U	
W2	W2		Part no.	Part no.	
HP	mm	mm			
42	218.4	257	266	14576-221	-
42	218.4	257	326	14576-223	-
63	325.1	363.7	266	14576-241	-
63	325.1	363.7	326	14576-243	-
63	325.1	363.7	386	14576-245	-
63	325.1	363.7	446	14576-247	-
84	431.8	470.3	326	-	14576-463
84	431.8	470.3	386	14576-265	14576-465
84	431.8	470.3	446	14576-267	14576-467
84	431.8	470.3	506	14576-269	14576-469


### Accessories

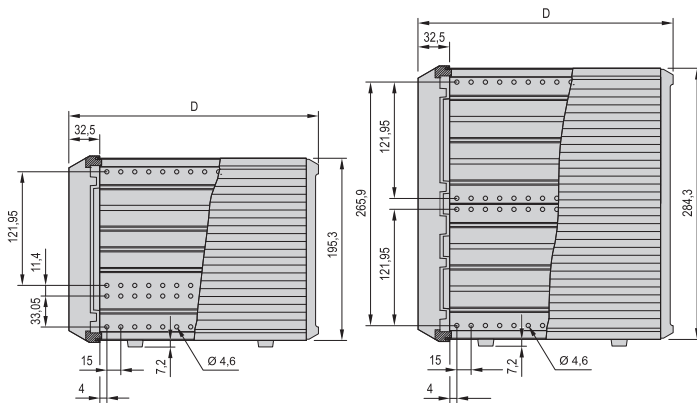
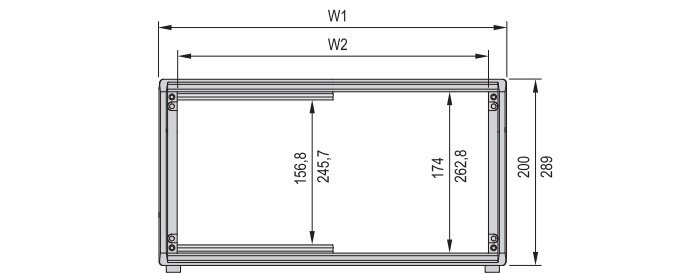
**GND/earthing kit** Cu wire 1.5 mm<sup>2</sup>, PVC sleeve, green/yellow, links side panels, base, cover and rear panel, PU 1 piece, 21102-001

Maximum mounting depth = D - 45  
(Distance: front panel - rear panel)

### Note

- Case, 4 U with side panel for tip-up carrying handle, see page 5.52
- Dimensions side panel, see page 5.53

 For further information [www.schroff.biz/oneclick](http://www.schroff.biz/oneclick)  
oneClick search code = Part no.



4 U

6 U

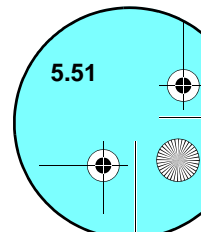


ServicePLUS see page 5.4

Main Catalogue  
E 10/2012

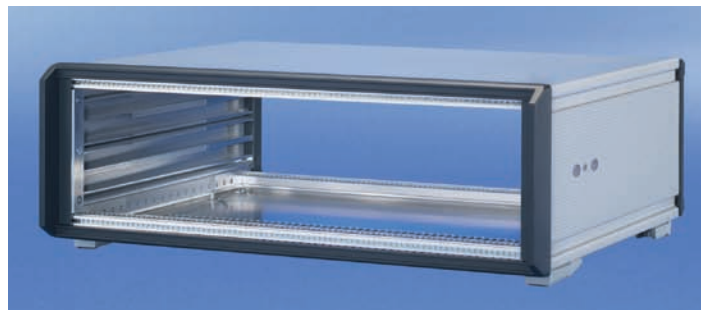
Part number in bold face type: ready for despatch within 2 working days  
Part number in normal type: ready for despatch within 10 working days

5.51



# Desk-top enclosure - *propac* PRO

3 U and 4 U cases, unshielded, with holes for tip-up carrying handle

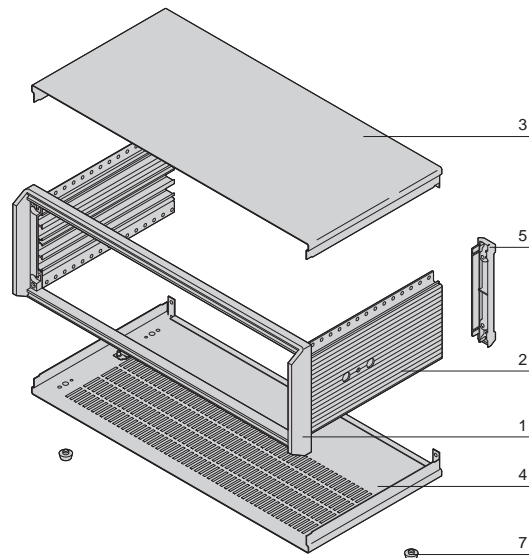


- Desk-top case with pre-configured components, in accordance with IEC 60297-3-101; prepared for 19" components such as plug-in units and euroboards
- Ventilation slots in base plate
- Prepared for GND/earthing
- Prepared for fitting of tip-up carrying handle

**NEW**

**Delivery comprises** (kit, items 1 - 6 fitted)

Item	Qty		Description
	3 U	4 U	
1	1	1	Frame, Al die-cast, powder-coated, RAL 7016
2	2	4	Side panel, Al extrusion, powder-coated, RAL 9006; with drill holes for tip-up carrying handle
3	1	1	Cover plate, Al, 1 mm, internal surface conductive, visible surface powder-coated, RAL 9006, with GND/earthing tag
4	1	1	Base plate, Al, 1 mm, internal surface conductive, visible surface powder-coated, RAL 9006, with GND/earthing tag, base plate with 4 rows of ventilation slots
5	2	2	End piece for rear, ABS, RAL 7016, UL 94 V-0; can be used as a foot for use in vertical position
6	-	2	Cover trim for side panel, Al extrusion, powder-coated, RAL 9006
7	4	4	Case foot with anti-slip protection, PC, black, UL 94 V-0
8	1	1	Assembly kit



**Order Information**

Usable width W2	Width W1	Depth D	3 U		4 U	
			Part no.	Part no.		
42	218.4	257.0	326	14577-123	14577-223	
42	218.4	257.0	386	14577-125	-	
63	325.1	363.7	326	14577-143	14577-243	
63	325.1	363.7	386	14577-145	14577-245	
84	431.8	470.3	326	14577-163	-	
84	431.8	470.3	386	14577-165	14577-265	

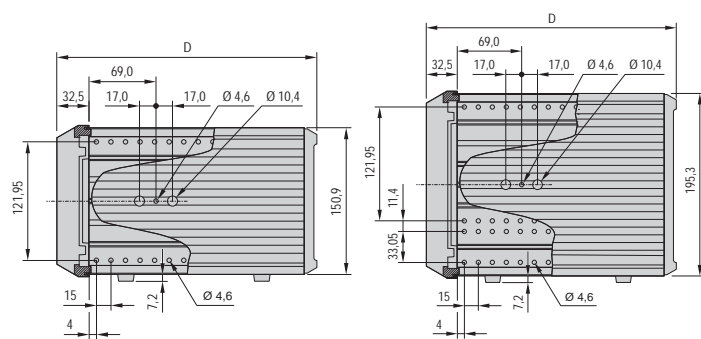
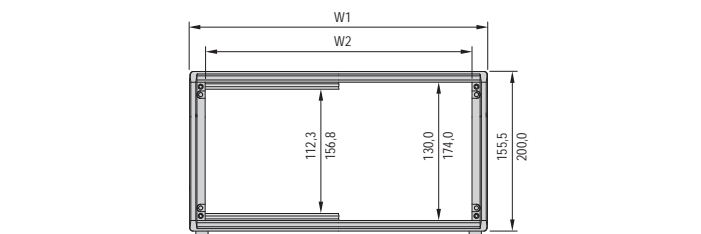
**Accessories**

- GND/earthing kit** Cu wire 1.5 mm<sup>2</sup>, PVC sleeve, green/yellow, links side panels, base, cover and rear panel, PU 21102-001 1 piece
- Tip-up carrying handle** for 42 HP case width, PU 1 kit 24576-071
- Tip-up carrying handle** for 63 HP case width, PU 1 kit 24576-072
- Tip-up carrying handle** for 84 HP case width, PU 1 kit 24576-073

**Note**

- Dimensions see page 5.48
- Dimensions side panel, see page 5.53

For further information [www.schroff.biz/oneclick](http://www.schroff.biz/oneclick)  
oneClick search code = Part no.



3 U

4 U



ServicePLUS see page 5.4

5.52

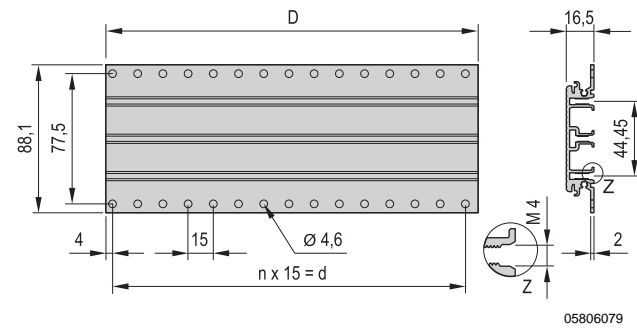
Main Catalogue  
E 10/2012

Part number in bold face type: ready for despatch within 2 working days  
Part number in normal type: ready for despatch within 10 working days

# Desk-top enclosure - *propac PRO*

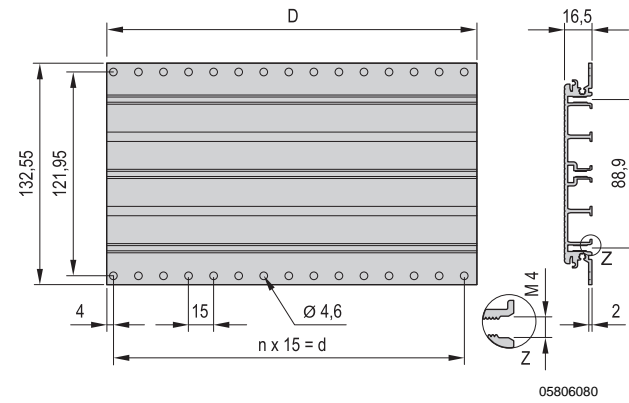
## Dimensions

Extruded side panel 2 U



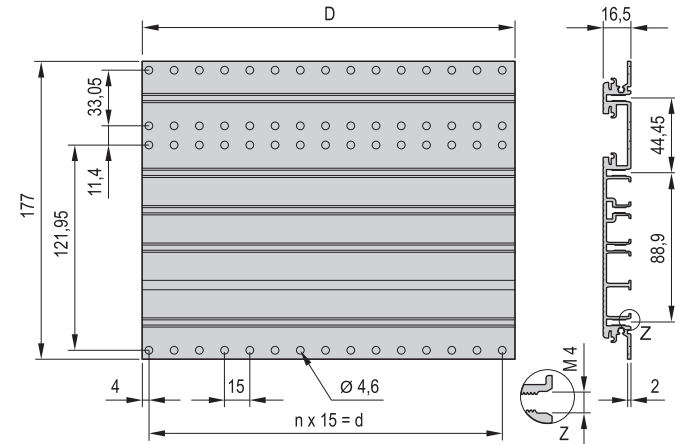
05806079

Extruded side panel 3 U



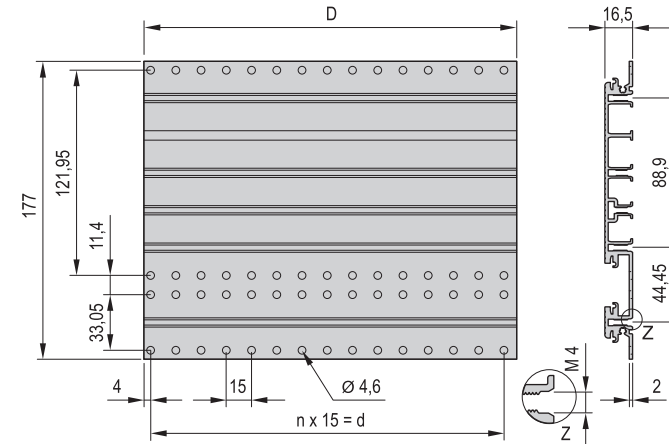
05806080

Extruded side panel 4 U, right



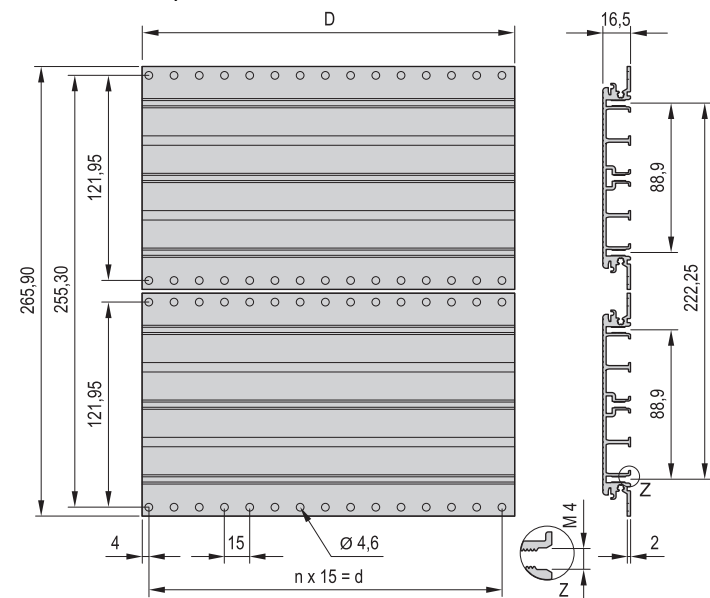
05806081

Extruded side panel 4 U, left



05806082

Extruded side panel 6 U



05806083

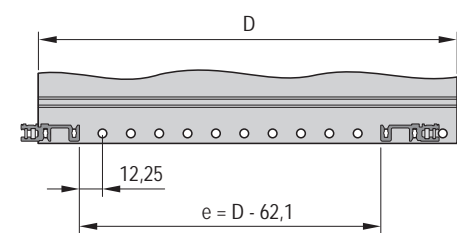
Dimensions table

For case depth	D	d	n
mm	mm	mm	
266	221.6	210	14
326	281.6	270	18
386	341.6	330	22
446	401.6	390	26
506	461.6	450	30

**Note**

A side panel for case 6 U consists of 2 pieces 3 U extruded side panels

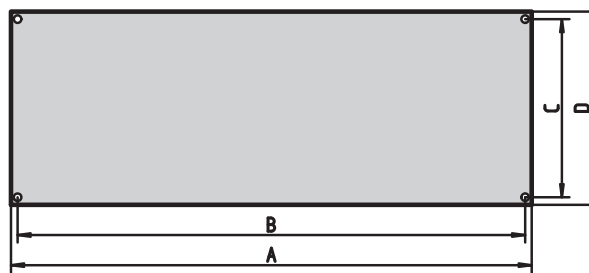
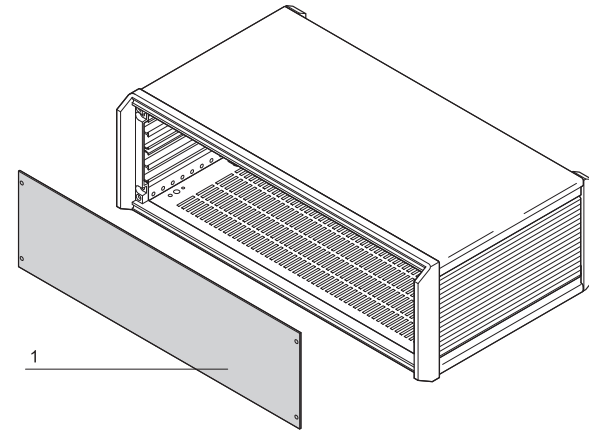
Side panel with horizontal rail



05806107

## Desk-top enclosure - *propac* PRO

Front panel, unshielded,  
for mounting on case frame



### Delivery comprises

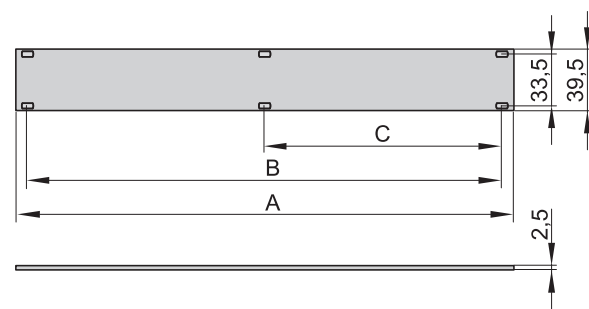
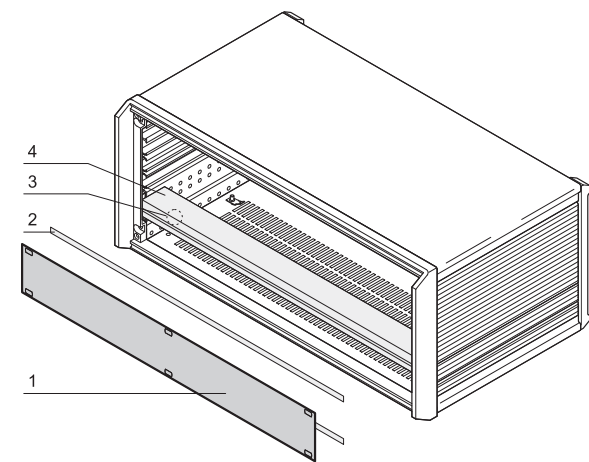
Item	Qty	Description
1	1	Full-width front panel, Al, 2 mm (on 84 HP = 2.5 mm), anodised, cut edges plain
2	1	Assembly kit

### Order Information

For case height	For case width	A	B	C	D	Part no.
U	HP	mm	mm	mm	mm	
2	42	238.7	230.0	74.0	84.0	20850-128
2	63	345.4	336.7	74.0	84.0	20850-129
2	84	452.0	443.3	74.0	84.0	20850-130
3	28	167.6	158.9	118.5	128.5	20850-134
3	42	238.7	230.0	118.5	128.5	20850-135
3	63	345.4	336.7	118.5	128.5	20850-136
3	84	452.0	443.3	118.5	128.5	20850-137
4	42	238.7	230.0	162.9	172.9	20850-142
4	63	345.4	336.7	162.9	172.9	20850-143
4	84	452.0	443.3	162.9	172.9	20850-144
6	84	452.0	443.3	251.8	261.8	20850-158

■ EMC front panel see chapter Front Panels, page 7.7

Front panel, 1 U, unshielded, for 4 U case,  
for mounting on horizontal rails



### Delivery comprises

Item	Qty	Description
1	1	Front panel, Al, 2.5 mm, front anodised, rear iridescent green chromated

### Order Information

Width	A	B	C	Front panel
HP	mm	mm	mm	Part no.
28	141.9	127.0	-	20850-423
42	213.0	198.1	101.6	20850-424
63	319.7	304.8	157.5	20850-425
84	426.4	411.5	203.2	20850-426

### Note

■ Please order items 2, 3 and 4 separately

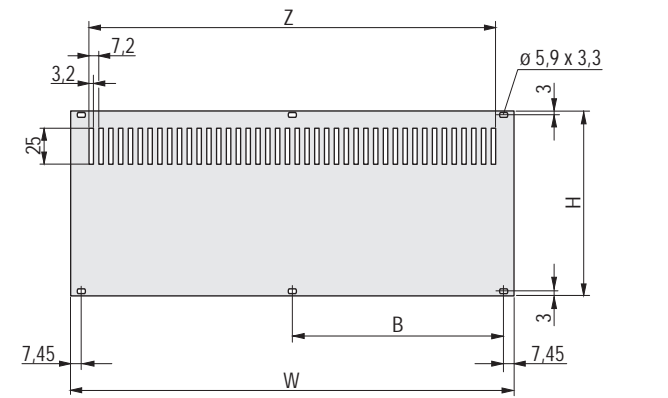
Width	Item 2	Item 3	Item 4
HP	EMC gasket, front panel/ horizontal rail PU 10 pieces	EMC gasketing kit horizontal rails, 1 piece	Horizontal rail type H-KD, 1 piece (SPQ 10)1)
	Part no.	Part no.	Part no.
28	24560-229	24562-528	34560-228
42	24560-231	24562-542	34560-242
63	24560-233	24562-563	34560-263
84	24560-235	24562-584	34560-284

1) SPQ (standard pack quantity): Order number includes 1 piece, but delivery is exclusively made in standard pack quantity (SPQ); please order at least the SPQ quantity or a multiple thereof



# Desk-top enclosure - *propac* PRO

Rear panel, perforated,  
for mounting on horizontal rails



- Two versions: unshielded, Al, 2.5 mm shieldable, Al extrusion (textile EMC gasketing retrofittable)

### Delivery comprises

Item	Qty	Description
1	1	Rear panel, Al, 2.5 mm, front: anodised, rear: iridescent green chromated; unshielded or shieldable with EMC sealing (textile)

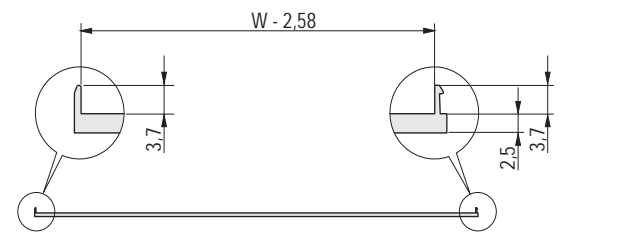
### Order Information

Height U	H mm	Width W HP mm	B mm	h mm	unshielded Part no.	shieldable Part no.	
2	84	28	141.9	-	78	30849-007	20848-679
2	84	42	213	101.6	78	30849-014	20848-680
2	84	63	319.7	157.5	78	30849-015	20848-681
2	84	84	426.4	208.3	78	30849-016	20848-682
3	128.4	28	141.9	-	122.4	30849-008	20848-633
3	128.4	42	213	101.6	122.4	30849-021	20848-634
3	128.4	63	319.7	157.5	122.4	30849-022	20848-635
3	128.4	84	426.4	208.3	122.4	30849-023	20848-636
4	172.9	28	141.9	-	166.9	30849-009	20848-656
4	172.9	42	213	101.6	166.9	30849-028	20848-657
4	172.9	63	319.7	157.5	166.9	30849-029	20848-658
4	172.9	84	426.4	208.3	166.9	30849-030	20848-659
6	261.8	28	141.9	-	255.8	30849-010	20848-640
6	261.8	42	213	101.6	255.8	30849-035	20848-641
6	261.8	63	319.7	157.5	255.8	30849-036	20848-642
6	261.8	84	426.4	208.3	255.8	30849-037	20848-643

- Please order textile EMC gasket separately
- EMC gasket rear panel - horizontal rail see page 5.65
- Horizontal rails see page 5.67
- Assembly parts see page 6.63



Unshielded



Shieldable

### Textile EMC gasket

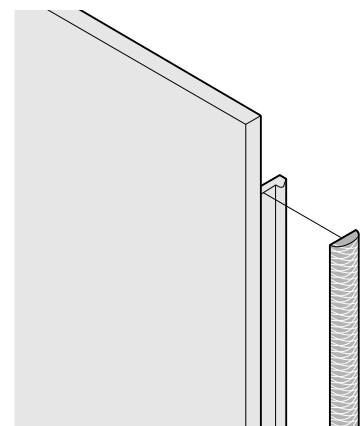
- The textile EMC gasket is glue fixed laterally on the front panel, always in the groove on the right-hand side of the profile
- Temperature range -40 °C ... +70 °C

### Delivery comprises ()

Item	Qty	Description
1	10/100	Textile EMC gasket, core: foam, sleeve: textile cladding with CuNi coating

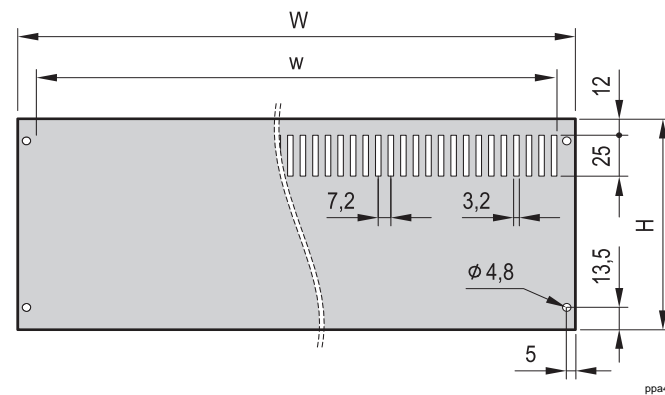
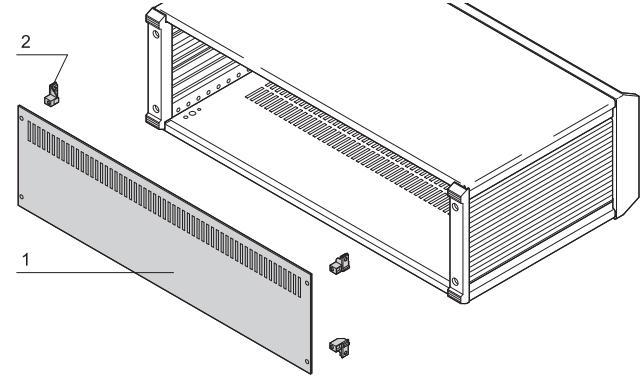
### Order Information

Height U	Height mm	Qty/PU pieces	Part no.
2	52	10	21101-857
3	97	100	21101-854
3	97	10	21101-853
4	142	10	21101-858
6	232	100	21101-856
6	232	10	21101-855



## Desk-top enclosure - *propac* PRO

Rear panel, unshielded,  
for mounting on case frame



- Mounting with support brackets on case (right and left)
- Versions with and without perforation

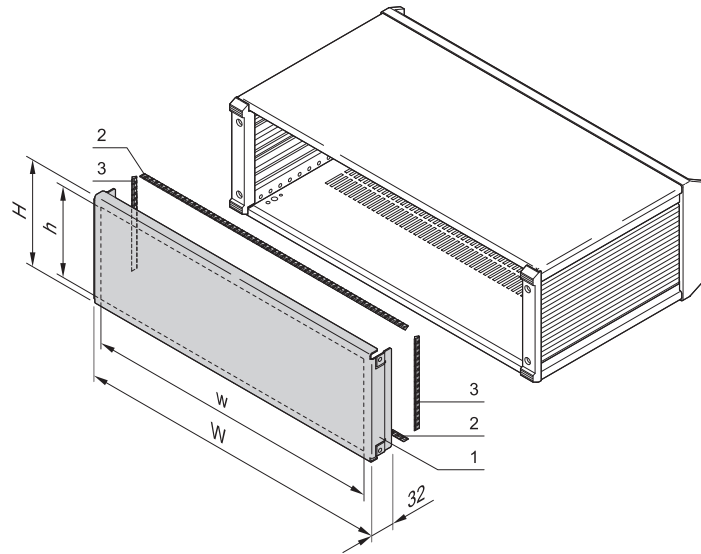
### Delivery comprises

Item	Qty	Description
1	1	Full-width rear panel, Al, anodised, cut edges blank 28, 42, 63 HP = 2 mm thickness 84 HP = 2.5 mm thickness
2	4	Support member, Zn die-cast
3	1	Assembly kit

### Order Information

Height H	Width W	w	With perforation	Without perforation		
U	mm	HP	mm	mm	Part no.	Part no.
2	84	42	213	190	24576-144	24576-044
2	84	63	320	298	24576-145	24576-045
2	84	84	426	406	24576-146	24576-046
3	128.5	28	142	118	24576-147	24576-047
3	128.5	42	213	190	24576-148	24576-048
3	128.5	63	320	298	24576-149	24576-049
3	128.5	84	426	406	24576-150	24576-050
4	172.9	42	213	190	24576-152	24576-052
4	172.9	63	320	298	24576-153	24576-053
4	172.9	84	426	406	24576-154	24576-054
6	261.8	84	426	406	24576-158	24576-058

Rear panel, shielded,  
for mounting on case frame



- Mounts on case (left, right)
- Without perforation

### Delivery comprises

Item	Qty	Description
1	1	Full-width EMC rear panel, Al 1.5 mm, passivated, with GND/earthing connection (Faston 6.3 mm)
2	2	Textile EMC gasketing, for mounting top and bottom, core: foam, sleeve: textile cladding with CuNi coating
3	2	Textile EMC gasketing, for mounting left and right, core: foam, sleeve: textile cladding with CuNi coating
4	1	Assembly kit

### Order Information

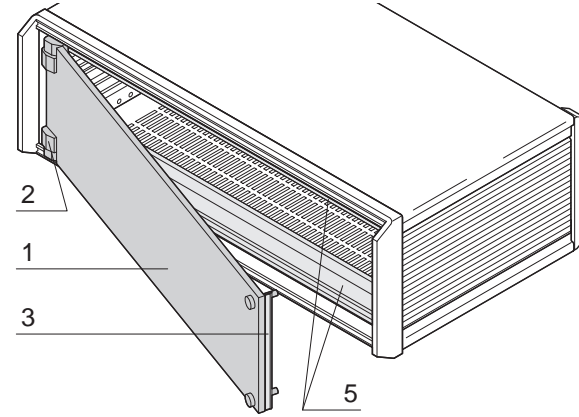
Height H	Height h	Width W	w	Part no.		
U	mm	HP	mm	mm	Part no.	
2	101.5	84	42	217.9	213	24576-244
2	101.5	84	63	324.6	319.7	24576-245
3	146	128.4	28	146.8	141.9	24576-247
3	146	128.4	42	217.9	213	24576-248
3	146	128.4	63	324.6	319.7	24576-249
3	146	128.4	84	431.3	426.4	24576-250
4	190.4	172.9	42	217.9	213	24576-252
4	190.4	172.9	63	324.6	319.7	24576-253
4	190.4	172.9	84	431.3	426.4	24576-254
6	279.3	261.8	84	431.3	426.4	24576-258

05806067

Part number in bold face type: ready for despatch within 2 working days  
Part number in normal type: ready for despatch within 10 working days

## Desk-top enclosure - *propacPRO*

Front panel, hinged, shielded,  
for mounting on horizontal rails



- Front panel with textile EMC gasketing
- Hinges can be fitted left or right
- Suitable for europacPRO subrack and ratiopacPRO, compacPRO and propacPRO cases

### Delivery comprises (kit)


Item	Qty	Description
1	1	Front panel, hinged, Al, 2.5 mm, front anodised, rear iridescent green chromated
2	2	Hinge, Zn die-cast, chrome-plated
3	1	Textile EMC gasket core: foam, sleeve: textile cladding with CuNi coating
4	1	Assembly kit

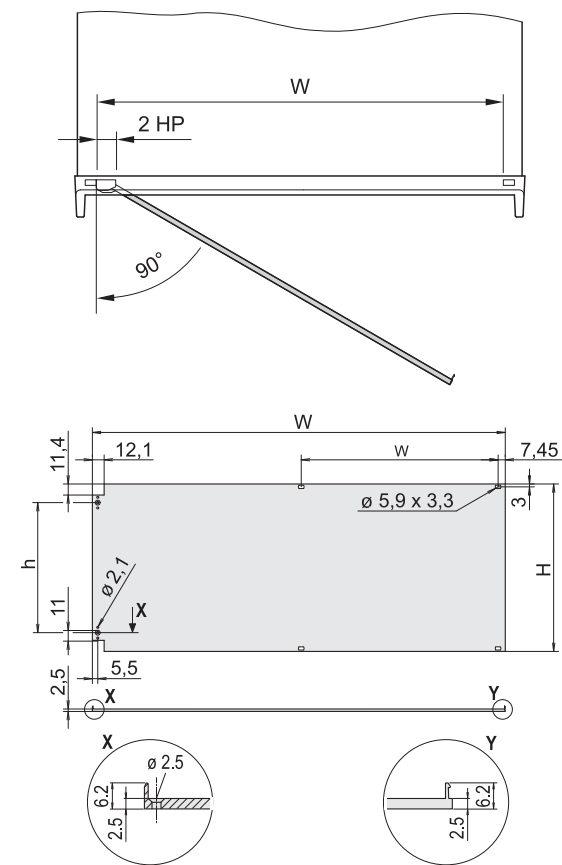
### Order Information

Height U	Width HP	H mm	h mm	W mm	w mm	Part no.
3	84	128.4	89.9	426.4	203.2	20848-611
6	84	261.8	223.2	426.4	203.2	20848-617
Item 5, Horizontal rail Type H-VT heavy duty, recessed mounting 84 HP, 1 piece (SPQ 10)						34560-784

### Note

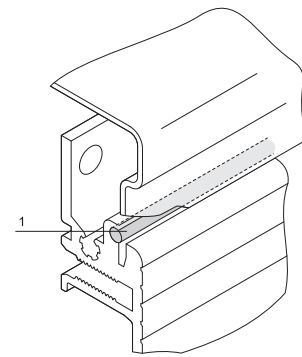
- Usable width reduced by 2 HP (hinged side)
- Horizontal rail (item 5) for front panel mounting is required, please order separately
- Lateral trim is necessary, please order separately, see page 5.59

 For further information [www.schroff.biz/oneclick](http://www.schroff.biz/oneclick)  
oneClick search code = Part no.



04602081


## EMC side panel gasket



- For EMC shielding between side panel and top cover or base plate (sufficient for at least 1 case)

### Order Information

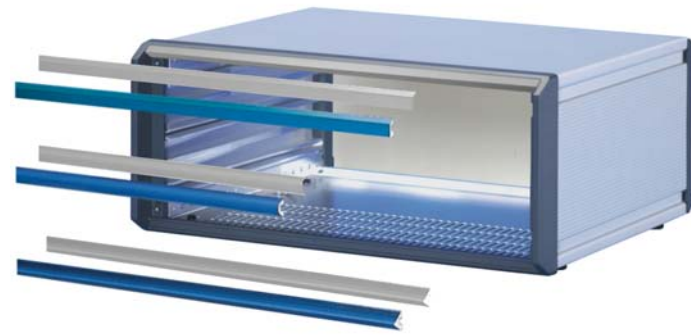
Item	Description	Qty/PU	Part no.
1	Sealing cord, silicone, silver coated, Ø 2.4 mm, length 2.1 m	1	30850-354

 For further information [www.schroff.biz/oneclick](http://www.schroff.biz/oneclick)  
oneClick search code = Part no.

05806068

## Desk-top enclosure - *propac* PRO

### Design elements





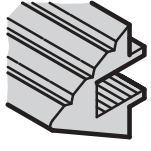
05809002

- To individualise case design

### Delivery comprises

Qty	Description
1	Design element, Al extrusion, powder-coated
1	Assembly kit

### Order Information

Description	Width	Light grey	Brilliant
		RAL 7035	blue
	HP	Part no.	Part no.
Form 1 	42	20850-184	20850-299
	63	20850-185	20850-300
	84	20850-186	20850-301
Form 2 	42	20850-190	20850-315
	63	20850-191	20850-316
	84	20850-192	20850-317
Form 3 	42	20850-196	20850-331
	63	20850-197	20850-332
	84	20850-198	20850-333

### Note

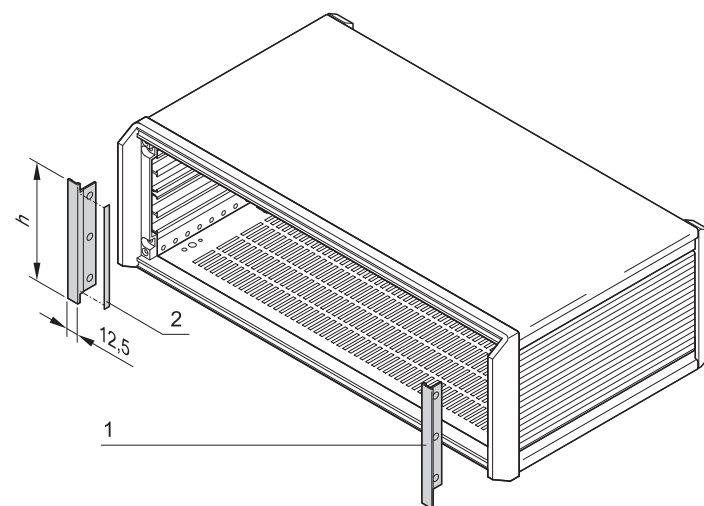
- Size 28 HP and further colours available on request
- Cannot be combined with front hood



For further information [www.schroff.biz/oneclick](http://www.schroff.biz/oneclick)  
oneClick search code = Part no.

## Desk-top enclosure - *propac* PRO

### Trim, front, for EMC shielding



05806069

- For lateral covering of frame and for producing a continuous front with front panels and plug-in units
- Serves for lateral shielding of side panels simultaneously

#### Delivery comprises (kit)

Item	Qty	Description
1	2	Lateral trim, Al extrusion, visible surface painted RAL 7016
2	1	Textile EMC gasket
3	1	Assembly kit

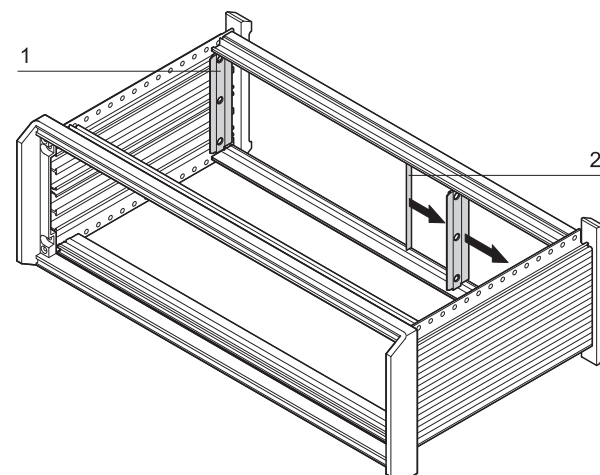
#### Order Information

For case height	h	Part no.
U	mm	
2	84	24576-017
3	128.5	24576-117
4	172.9	24576-217
6	261.8	24576-417



For further information [www.schroff.biz/oneclick](http://www.schroff.biz/oneclick)  
oneClick search code = Part no.

### Trim, rear, for EMC shielding



05806103

- For vertical EMC shielding between shielded front panels and side panel

#### Delivery comprises

Item	Qty	Description
1	2	EMC contact strip, Al extrusion
2	1	Textile EMC gasket
3	1	Assembly kit

#### Order Information

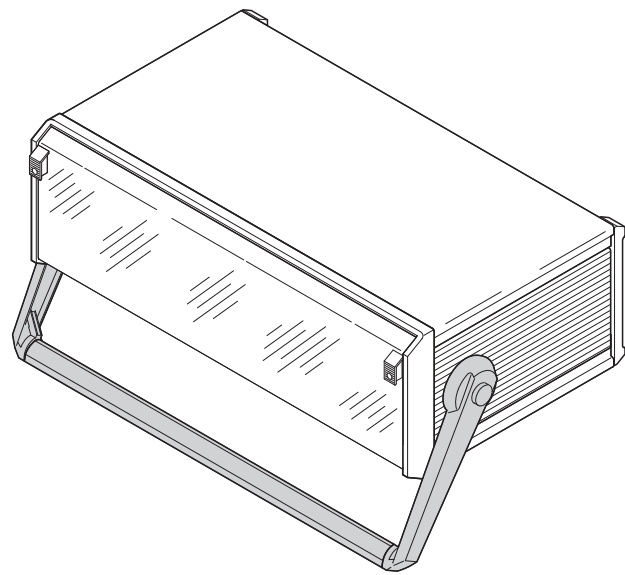
Height	Height	Part no.
U	mm	
2	65.55	24576-018
3	110	24576-118
4	154.45	24576-218
6	243.35	24576-418



For further information [www.schroff.biz/oneclick](http://www.schroff.biz/oneclick)  
oneClick search code = Part no.

## Desk-top enclosure – *propac PRO*

### Tip-up carrying handle



05806101

- With powder-coated carrying bar
- Can be locked in 30° increments
- Load-carrying capacity 20 kg

#### Delivery comprises (Kit)

Item	Qty	Description
1	1	Carrying bar, Al extrusion, powder-coated, RAL 7016
2	2	Handle side part, Zn, die-cast, powder-coated, length 180 mm
3	2	Safety insert, St, 1.5 mm, black
4	1	Assembly kit for side panel mounting

#### Order Information

For case width	Part no.
HP	
28	24576-070
42	24576-071
63	24576-072
84	24576-073

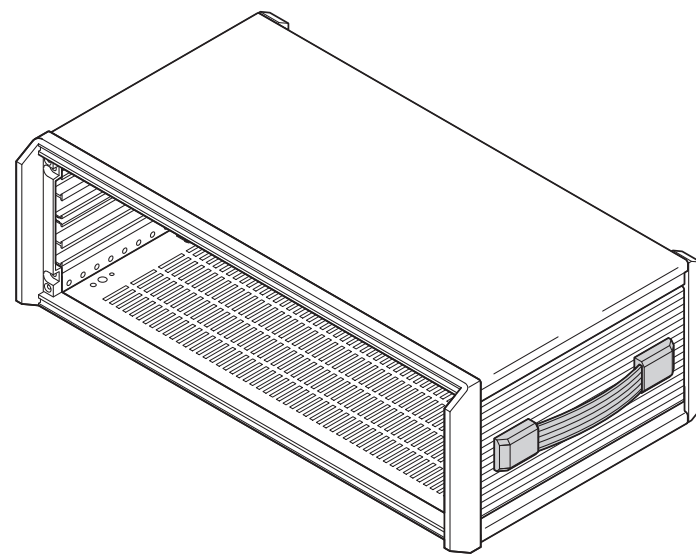
#### Note

- To fit the tip-up carrying handle, holes must be drilled in the side panel
- Readily prepared cases (3 U and 4 U), for mounting the tip-up carrying handle see page 5.52



For further information [www.schroff.biz/oneclick](http://www.schroff.biz/oneclick)  
oneClick search code = Part no.

### Strap handle



05806098

- Load-carrying capacity: 20 kg

#### Delivery comprises (Kit)

Item	Qty	Description
1	1	Band, spring steel, handle, flexible plastic, grey, RAL 7016
2	2	Cover, grey, RAL 7016
3	1	Assembly kit

#### Order Information

Description	Part no.
Strap handle with adaptor	20850-249

#### Note

- Holes must be drilled into the side panels to fix the strap handle
- Side panels with holes already drilled available on request
- Usable from case depth of D = 326 mm



For further information [www.schroff.biz/oneclick](http://www.schroff.biz/oneclick)  
oneClick search code = Part no.

## Desk-top enclosure - *propac* PRO

### Air filter

- Subsequent mounting possible without modification or tools
- Filter change without opening the case, IP protection code not affected

#### Delivery comprises (Kit)


Item	Qty	Description
1	1	Filter holder, Al, 1 mm, powder-coated, RAL 9006
2	1	Filter mat, synthetic fibre
3	1	Velcro

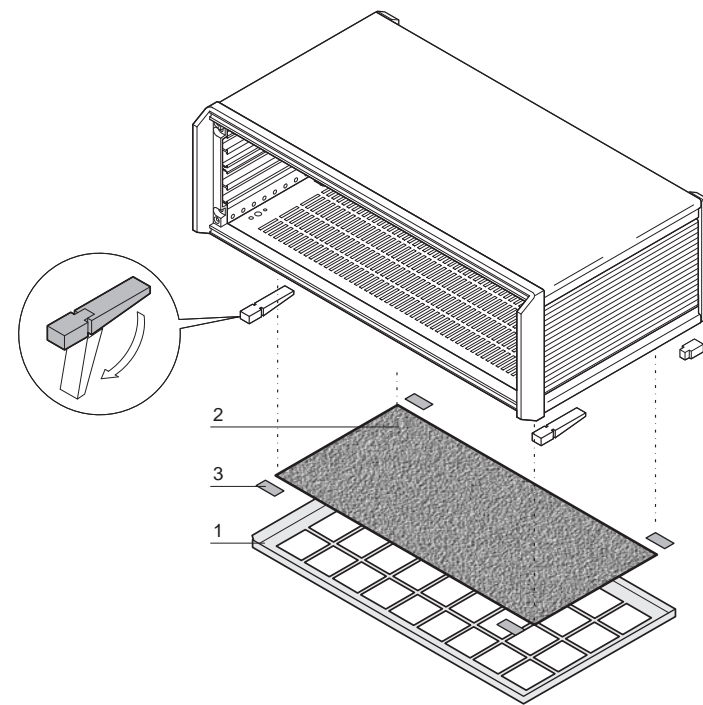
#### Order Information

For case width	Air filter	Replacement filter 1 piece
HP	Part no.	Part no.
28	24576-093	64571-033
42	24576-094	64571-034
63	24576-095	64571-035
84	24576-096	64571-036
<b>Tip-up foot in plastic silver, similar to RAL 9006,</b>		20603-001
4 pieces		
<b>Plastic tip-up foot anthracite, similar to RAL 7016,</b>		20603-002
4 pieces		

#### Note

- For optimum ventilation feet must be fixed to the case, please order separately

 For further information [www.schroff.biz/oneclick](http://www.schroff.biz/oneclick)  
oneClick search code = Part no.



05806070

# Desk-top enclosure - *propac* PRO

## Front hood 3 U

- From acrylic glass, hinged, removable
- Mounting of hinges at top or bottom
- Lock (max. 2) retrofittable
- Lateral cover (item 5) also serves as vertical EMC shielding of side panels

### Delivery comprises (kit)


Item	Qty	Description
1	1	Hood, PMMA, tinted blue grey, acrylic glass, 3 mm
2	2	Hinge, PC, UL 94 V-0, RAL 7016
3	2	Handle, PC, UL 94 V-0, RAL 7016
4	2	Retainer, UL 94 V-0, PC, RAL 7016
5	2	Lateral trim, Al extrusion, visible surface painted RAL 7016
6	1	Assembly kit

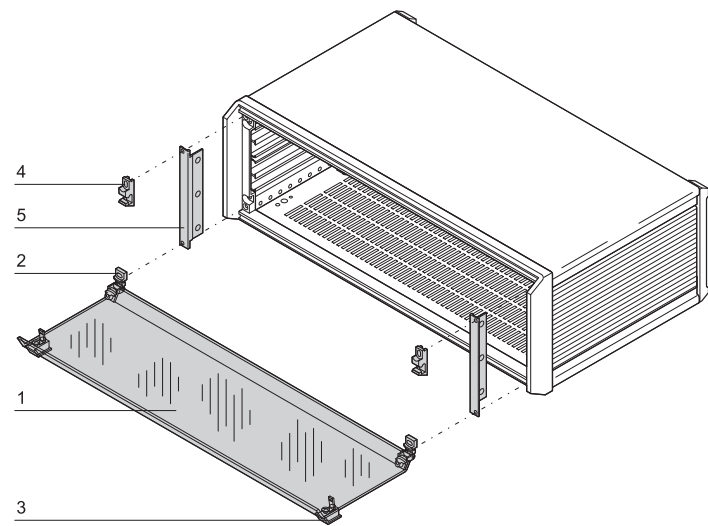
### Order Information

For case width	Part no.
<b>HP</b>	
28	24576-080
42	24576-081
63	24576-082
84	24576-083
<b>Lock for front hood</b> Locking cylinder, key, assembly kit, PU 1 kit	60850-171
<b>Plastic tip-up foot</b> silver, similar to RAL 9006, 4 pieces	20603-001
<b>Plastic tip-up foot</b> anthracite, similar to RAL 7016, 4 pieces	20603-002

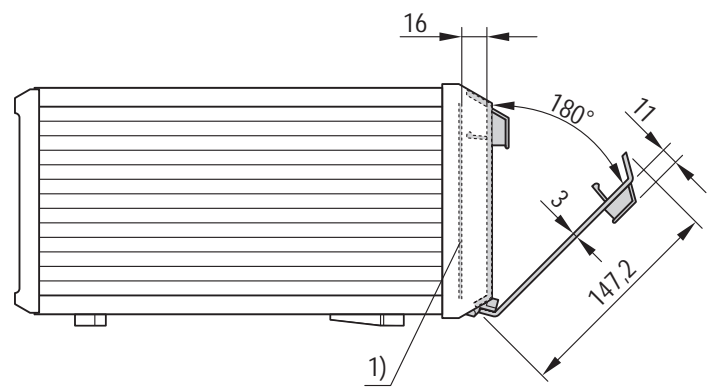
### Note

- Cannot be combined with design elements
- Other heights available on request
- Before assembly of hood feet must be fixed to case; please order separately

 For further information [www.schroff.biz/oneclick](http://www.schroff.biz/oneclick)  
oneClick search code = Part no.

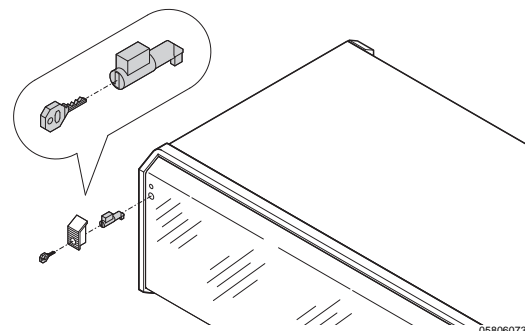


05806071



05806072

1) Front panel



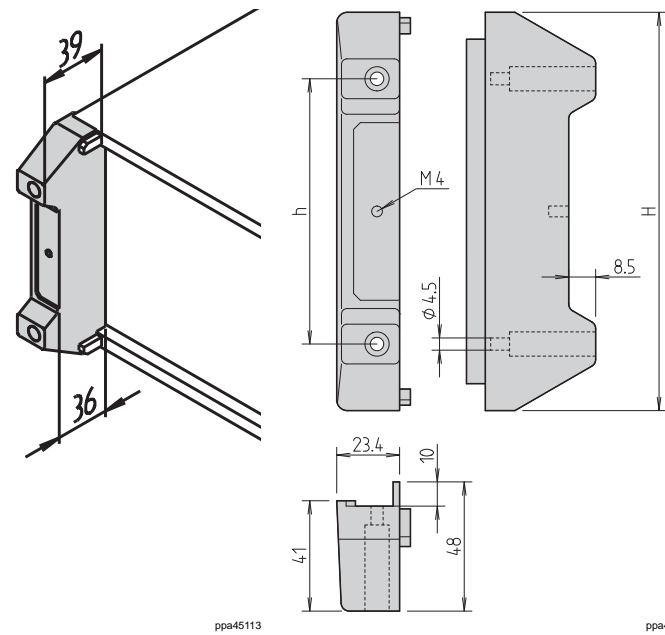
05806073

Lock for front hood



## Desk-top enclosure - *propac* PRO

### Foot for rear hood




- Increases the distance between rear panel and parking surface (when used vertically)
- Simplifies cable routing
- Increased shock and vibration damping
- Required for mounting rear hood

#### Delivery comprises

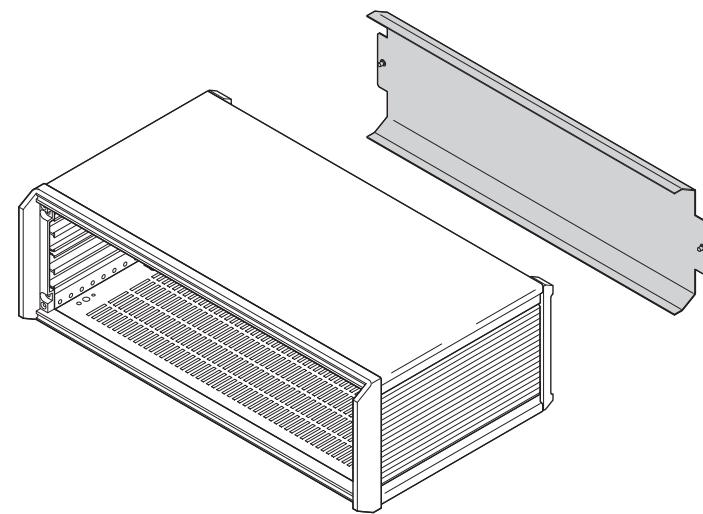
Item	Qty	Description
1	2	Foot, PU foam
1	1	Assembly kit

#### Order Information

For cabinet height	Height H	Part no.
U	mm	
3	147.9	24576-393
4	192.3	24576-394

 For further information [www.schroff.biz/oneclick](http://www.schroff.biz/oneclick)  
oneClick search code = Part no.

### Rear hood



#### Delivery comprises (kit)

Item	Qty	Description
1	1	Hood, Al, 1 mm, RAL 9006, fixing with knurled screws
2	1	Assembly kit

#### Order Information


Height	Width	A	B	C	D	E	Part no.
U	HP	mm	mm	mm	mm	mm	
3	42	246	230	213	145.9	64	24576-086
3	63	352.7	336.7	319.7	145.9	64	24576-087
3	84	459.4	443.4	426.4	145.9	64	24576-088
4	63	352.7	336.7	319.7	190.4	108.5	24576-091
4	84	459.4	443.4	426.4	190.4	108.5	24576-092

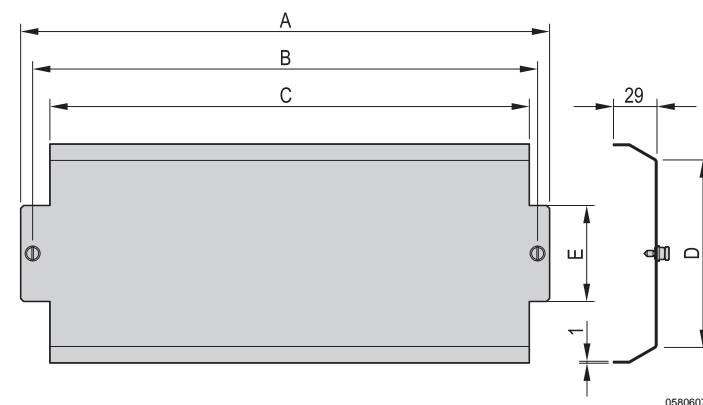
**Foot for rear hood** for case height 3 U, PU foam, black, PU 2 pieces 24576-393

**Foot for rear hood** for case height 4 U, PU foam, black, PU 2 pieces 24576-394

#### Note

- To fit the rear hood, feet must be fitted to the rear panel; please order separately

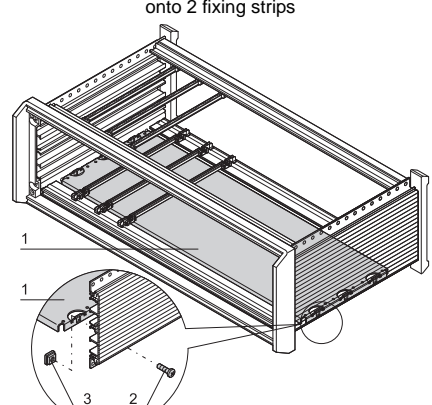
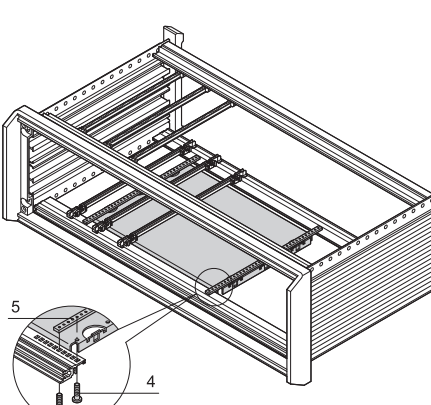
 For further information [www.schroff.biz/oneclick](http://www.schroff.biz/oneclick)  
oneClick search code = Part no.

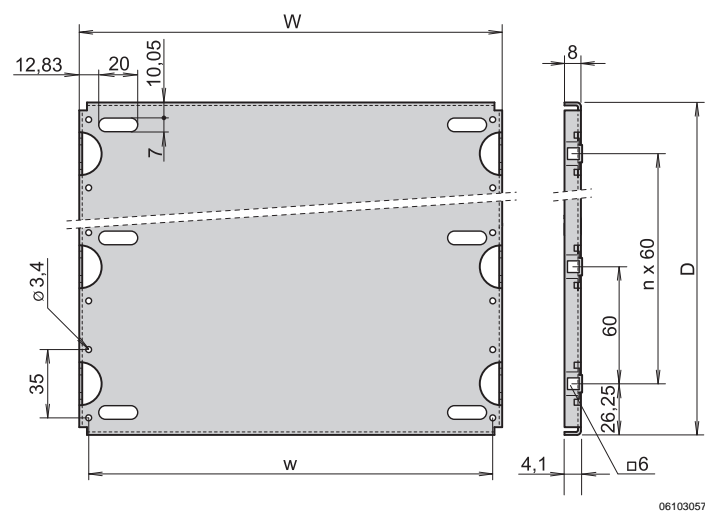


# Desk-top enclosure - *propacPRO*

## Mounting plates

### Order Information

Width W HP	W mm	Board lengths mm	Mounting plate for fixing of heavy components	
			Mounting plate over full width: mounting is onto the side panels Mounting plate over partial width: mounting is onto one side panel and a fixing strip or onto 2 fixing strips	Fixing strip for partial widths
				
			Al, 1.5 mm; for mounting over partial width, please order fixing strips separately	St, 2 mm, zinc-plated; is bolted from front to rear onto the horizontal rails; to fix mounting plates
			<b>1 piece</b>	<b>1 piece</b>
42	217.99	160	<b>34562-746</b>	30840-021
42	217.99	220	<b>34562-750</b>	30840-033
63	324.67	160	<b>34562-747</b>	30840-021
63	324.67	220	<b>34562-751</b>	30840-033
84	431.35	160	<b>34562-748</b>	30840-021
84	431.35	220	<b>34562-752</b>	30840-033
84	431.35	340	<b>34562-760</b>	30840-057
Assembly kit for mounting plate, PU 1 kit (Torx countersunk screw M4 x 5, St, zinc-plated, 12 pieces; screw M4 x 6, St, zinc-plated, 10 pieces; M4 square nut, St, zinc-plated, 10 pieces)			24560-184	-
Assembly kit for fixing strips for partial width mounting plates, Torx screw M2.5 x 5, St, zinc-plated, PU 100 pieces M2.5 x 5, St, zinc-plated, PU 100 pieces			-	24560-146



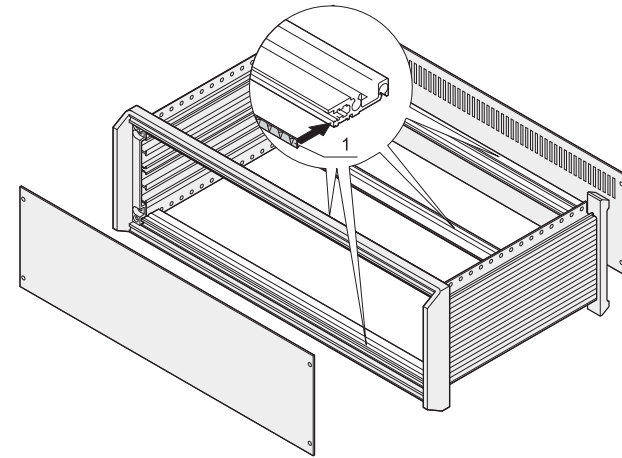
### Note

- Please order assembly kit for mounting plate separately
- Fixing strips required for partial width, please order separately
- Other versions on request
- Dimensions side panel with horizontal rail see page 5.53

propacPRO:  
D = board length - 47.5 mm; n = 1 for 160 mm board length;  
n = 2 for 220 mm board length; n=4 for 340 mm board length

## Desk-top enclosure - *propac PRO*

EMC gasket, stainless steel,  
between front/rear panel and horizontal rail



05806109

- The EMC contact strip is clipped onto the horizontal rail and forms a conductive link to front or rear panel
- Can be used for front/rear horizontal rails type VT (recessed)

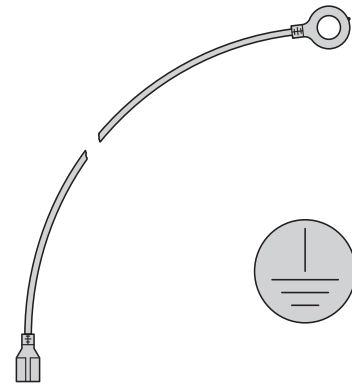
### Delivery comprises

Item	Qty	Description
1	10/100	EMC gasket, St, stainless

### Order Information

Width HP	Length mm	Qty/PU pieces	Part no.
28	131.78	10	24560-229
42	202.9	10	24560-231
63	304.5	10	24560-233
84	416.56	10	24560-235
84	416.56	100	24560-236

## GND/earthing kit



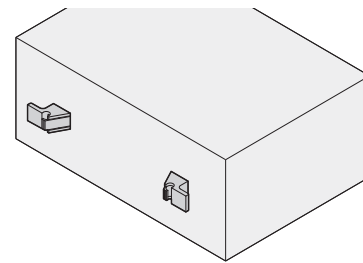
aza43284

- Protective GND/earthing connections in accordance with:
  - DIN EN 50178/VDE 0160
  - DIN EN 60950/VDE 0805
  - DIN EN 61010-1/VDE 0411 part 1
  - DIN EN 61010-1A2/VDE 0411 part 1A1
- VDE tested

### Order Information

Description	Part no.
GND/earthing kit, Cu wire 1.5 mm <sup>2</sup> , PVC sleeve, green/yellow, links side panel, base and rear panel, 1 piece	21102-001

## Cable holder




02908053

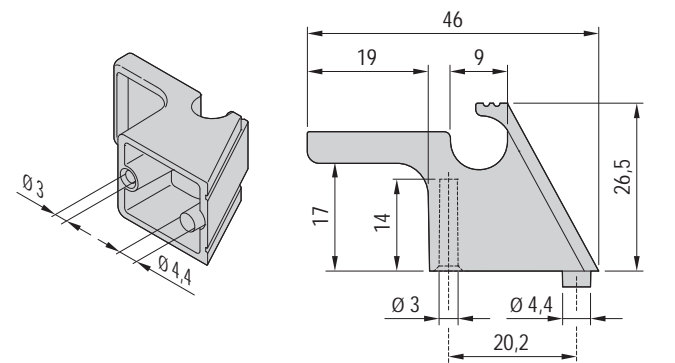
### Delivery comprises

Item	Qty	Description
1	2	Cable holder, ABS, UL V-94 0, RAL 7016, detent for cables between 8 mm and 12 mm
2	1	Drilling template, two drill holes each per holder are needed in rear panel
3	1	Assembly kit

### Order Information

Description	Part no.
Cable holder	24575-800

 For further information [www.schroff.biz/oneclick](http://www.schroff.biz/oneclick)  
oneClick search code = Part no.



02908052

# Desk-top enclosure - *propac PRO*

## Mounting position horizontal/central rails

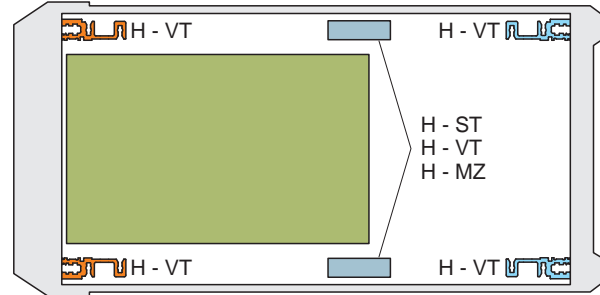
2 U



05806084

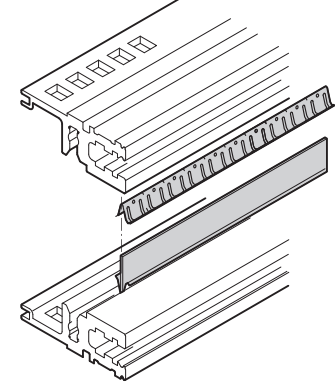


3 U



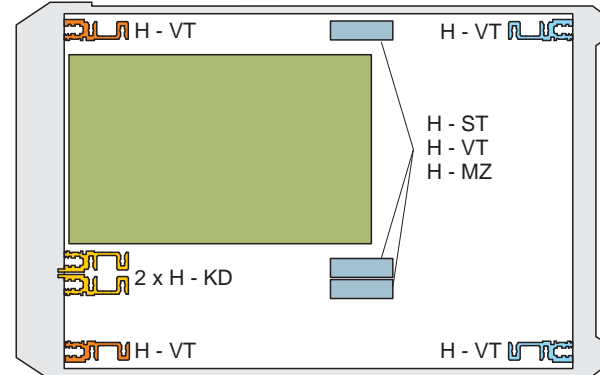
05806085

"Z" (EMC shielding with 2 horizontal rails)



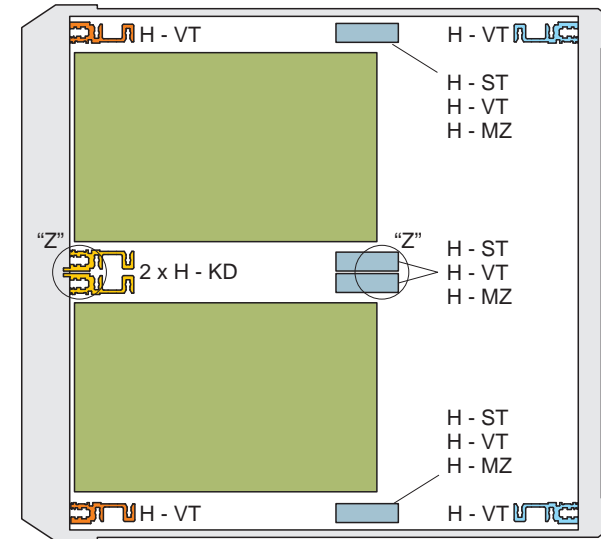
05809050

4 U (3 + 1)



05806086

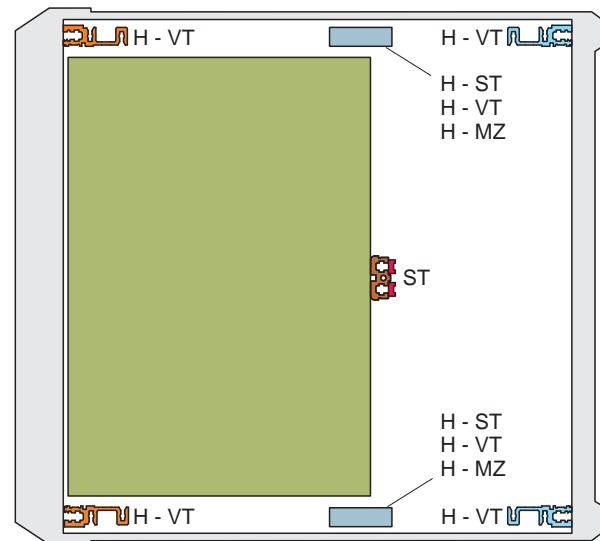
6 U (2 x 3)



06106051

05806088

6 U





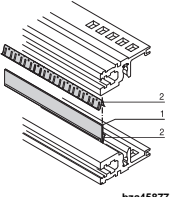
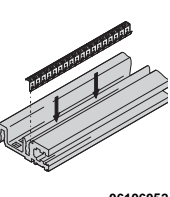






05806087

# Desk-top enclosure - *propac* PRO

Horizontal rails to front/centre/rear

## Order Information

		For indirect backplane fixing with insulation strip	For direct backplane fixing	For direct fixing of connectors in accordance with EN 60603-2 (DIN 41612)	Front horizontal rails	Stainless steel EMC gasket between horizontal rail and horizontal rail	Horizontal rail type H-VT robust, with EMC gasket
		 06197011	 06197011	 06197011	 06197008	 bz445877	 06106052
		"heavy" Type H-ST standard	"heavy" Type H-VT long lip	"heavy" Type H-MZ with Z-rail	"heavy" Type H-KD short lip		
		 06197011	 06197009	 06197015	 06197008		
		Al extrusion, anodised finish, conductive surface, with printed HP markings	Al extrusion, anodised finish, conductive surface, with printed HP markings	Al extrusion, anodised finish, conductive surface, with printed HP markings	Al extrusion, anodised finish, conductive surface, with printed HP markings	item 1: metal strip, Al, 1 mm, item 2: EMC stainless steel gasket; for shielding of 2 horizontal rails positioned directly one above the other if assembly area is divided vertically	horizontal rail: Al extrusion, anodised, conductive contact surface for cover plates on shielded cases
<b>Usable length HP</b>	<b>Length mm</b>	<b>1 piece (SPQ 10)<sup>1)</sup></b>	<b>1 piece (SPQ 10)<sup>1)</sup></b>	<b>1 piece (SPQ 10)<sup>1)</sup></b>	<b>1 piece (SPQ 10)<sup>1)</sup></b>	<b>PU 1 kit</b>	<b>1 piece</b>
28	147.32	34560-528	34560-728	34560-928	34560-228	24562-528	24576-028
42	218.44	34560-542	34560-742	34560-942	34560-242	24562-542	24576-042
63	325.12	34560-563	34560-763	34560-963	34560-263	24562-563	24576-063
84	431.80	34560-584	34560-784	34560-984	34560-284	24562-584	24576-084
Torx panhead screw , M4 x 14, St, zinc-plated, PU 100 pieces		24571-371	24571-371	24571-371	24571-371	-	24571-371
Torx panhead screw , M 4 x 10, St, zinc-plated, necessary if guide rail is screwed to slot 1, PU 100 pieces		-	-	24571-372	24571-372	-	24571-372
Perforated rail for connector mounting with insulation strip see page		5.69	-	-	-	-	-
Z-rail for connector mounting without insulation strip see page		5.69	-	-	-	-	-
Insulation strips see page		-	5.68	-	-	-	-
Threaded inserts see page		5.68	5.68	5.68	5.68	-	-

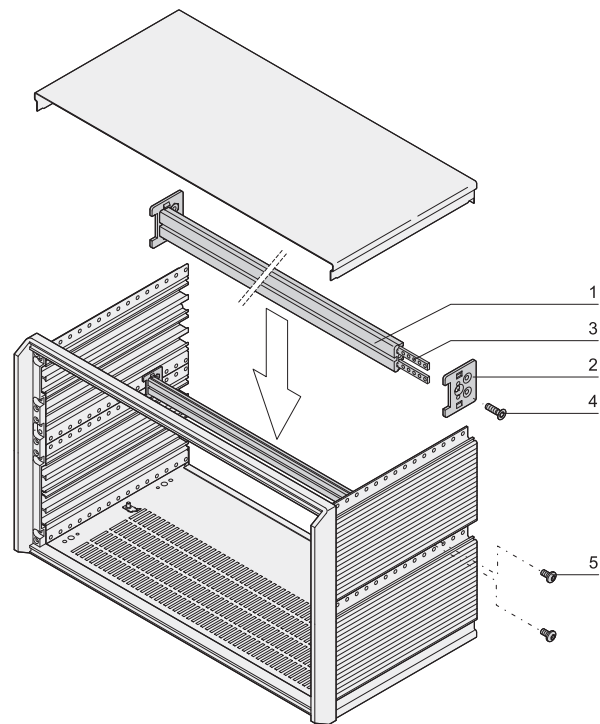
1) SPQ (standard pack quantity): Order number includes 1 piece, but delivery is exclusively made in standard pack quantity (SPQ); please order at least the SPQ quantity or a multiple thereof

### Note

- Further horizontal rails see from page 6.27
- Fitting options see page 5.66

# Desk-top enclosure - *propacPRO*

## Horizontal rails, centre, type ST-C



- For indirect backplane mounting (with insulation strip)
- For 6 U propacPRO case

### Delivery comprises (kit, item 1 to 4 are pre-mounted)

Item	Qty	Description
1	1	Horizontal rail, Al extrusion, anodised, contact surfaces conductive
2	2	Adaptor plate, Al
3	2	Threaded insert, M2.5, St, zinc-plated
4	2	Countersunk screw, M4 x 14
5	4	Pan head screw, M4 x 6

### Order Information

Usable width HP	Length mm	Part no.
84	431.8	24575-474
Insulation strip 84 HP, PBT UL 94 V-0, grey, PU 10 pieces		24560-884

For further information [www.schroff.biz/oneclick](http://www.schroff.biz/oneclick)  
oneClick search code = Part no.

05806089

## Threaded inserts, perforated strips, insulation strips

### Order Information

Usable length HP	Threaded insert		Perforated strip (item 1)		Insulation strip		
	Length mm	1 piece (SPQ 10) <sup>1)</sup>	1 piece (SPQ 10) <sup>1)</sup>	Length mm	1 piece (SPQ 10) <sup>1)</sup>	Length mm	PU 10 pieces
28	146.82	34561-328	–	147.12	30845-197	144.20	24560-828
42	217.94	34561-342	–	218.24	30845-211	210.40	24560-842
63	324.62	34561-363	–	324.92	30845-232	316.88	24560-863
84	431.30	34561-384	34561-484	431.60	30845-253	428.64	24560-884

### Accessories

Grub screw M2.5 x 8, PU 100 pieces	21100-276	–	–	–	–	–	–
Grub screw M2.5 x 9, PU 100 pieces	–	–	–	21101-359	–	–	–
Grub screw M3 x 8, PU 100 pieces	–	–	21100-646	–	–	–	–

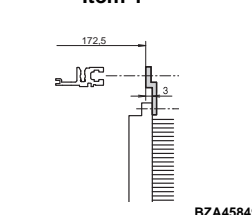
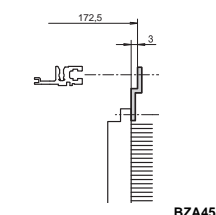
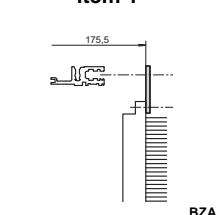
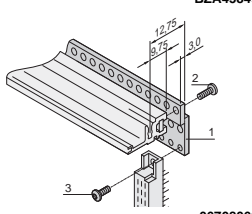

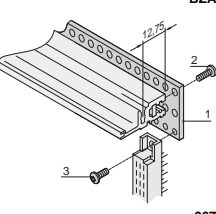
1) SPQ (standard pack quantity): Order number includes 1 piece, but delivery is exclusively made in standard pack quantity (SPQ); please order at least the SPQ quantity or a multiple thereof

2) Part no. includes one packing unit (PU); delivery is exclusively made in PU

# Desk-top enclosure - *propac* PRO

Z-rails, perforated rails

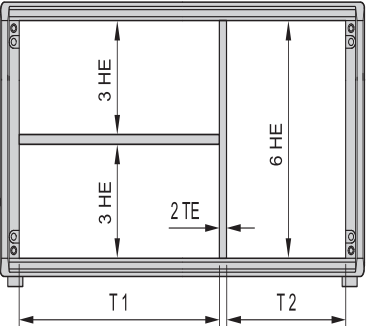
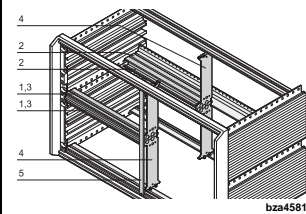
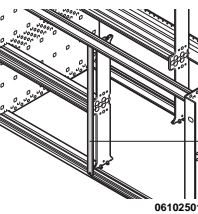
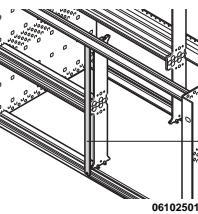
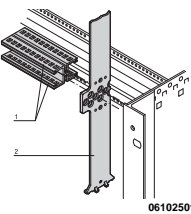
## Order Information

		Z-rail for connectors		Perforated rail
		DIN EN 60603-2, DIN 41612 item 1	31-pin, DIN 41617	EN 606032, DIN 41612 item 1
				
				
		for connector mounting on ST horizontal rails, please order threaded insert and screw separately	for connector mounting on ST horizontal rails, please order threaded insert and screw separately	for connector mounting on VT horizontal rails, please order threaded insert and screw separately
<b>Usable length</b>	<b>Length</b>	<b>1 piece</b>	<b>1 piece</b>	<b>PU 4 pieces</b>
<b>HP</b>	<b>mm</b>			
28	142.24	30822-033	—	20822-049
42	213.36	30822-047	—	20822-050
60	304.80	30822-065	30819-783	20822-047
84	426.70	30822-089	30819-808	20822-048
Item 3, Torx panhead screw to fix connector to perforated rail,, M2.5 x 7, PU 100 pieces		24560-147	24560-147	24560-147
Item 2, Torx panhead screw, to fix perforated rail to horizontal rail, M2.5 x 10, PU 100 pieces		24560-148	24560-148	24560-148

# Desk-top enclosure - *propac PRO*

Combined mounting (6 U and 2 x 3 U one above the other)

## Order Information

				
	<b>Horizontal and vertical subdivision (incl. front panel for stainless steel EMC gasket)</b>	<b>Unshielded front panel, 6 U, 2 HP item 5</b>	<b>Front panel for textile EMC gasket, 6 U, 2 HP item 5</b>	<b>Splitting extrusion for combined mounting item 2</b>
<p>item 1: 2 front horizontal rails (H-KD), Al extrusion, anodised;                      item 2: 2 rear horizontal rails (AB), Al extrusion, anodised;                      item 3: threaded insert, St, zinc-plated;                      item 4: Zn die-cast support member;                      item 5: front panel 2 HP, 6 U, shielded;                      with EMC stainless steel gasket;                      84:0 without items 4, 5</p>	<p>Al, 2.5 mm, front anodised, rear iridescent green chromated</p>	<p>Al, 2.5 mm, U-profile with notch, 6 U, 2 HP</p>	<p>6 U, Zn die-cast; splitting extrusion is inserted in the grid holes of the horizontal rail; the splitting extrusion can be bolted</p>	
<p><b>Width pitch T1:T2</b></p> <p><b>HP</b></p>	<p><b>PU 1 kit</b></p>	<p><b>1 (SPQ 5)</b></p>	<p><b>1 piece (SPQ 5)<sup>1)</sup></b></p>	<p><b>1 piece</b></p>
20:62	24562-420			
40:42	24562-440			
42:40	24562-442	30847-472	30849-140	64560-010
63:19	24562-463			
84:0	24562-484			
Torx countersunk screw M4 x 14, zinc-plated, PU 100 pieces for fixing splitting extrusion/horizontal rail	–	–	–	24560-145
Panhead screw M2.5 x 10, St, zinc-plated, PU 100 pieces for fixing horizontal rail/splitting extrusion	–	–	–	24560-179
Pozidrive/slotted collar screw M2.5 x 12.3, St, nickel-plated, PU 100 pieces	–	21101-101	21101-101	–
Pozidrive/slotted collar screw M2.5, black, zinc-plated, PU 100 pieces	–	21101-102	21101-102	–
Washer 2.7 x 5 x 1, plastic PA 6, PU 100 pieces	–	21101-121	21101-121	–
Textile gasket, core: foam, sleeve: textile cladding with CuNi coating, UL 94 V-0, PU 10 pieces	–		21101-855	

- Subdivision of the 6 U assembly area into:
  - 2 x 3 U
  - 1 x 6 U
- Designed to accept euroboards (100 mm high) and double euroboards (233.35 mm high)

### Note

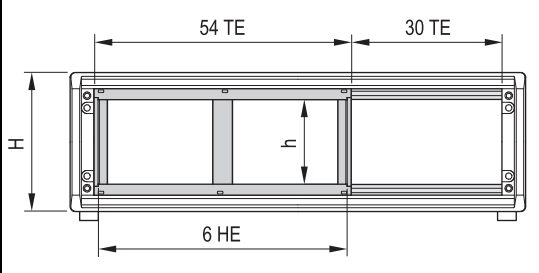
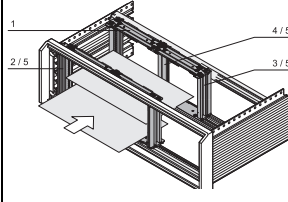
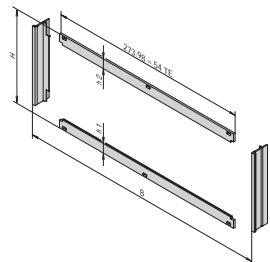
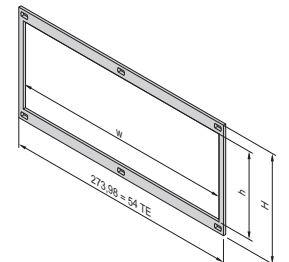

- Please order EMC gasketing kit for horizontal rails separately, see page 6.54
- Please order perforated strips for horizontal rails separately, see page 5.68
- Please order rear centre horizontal rail separately, see page 5.68



# Desk-top enclosure - *propac* PRO

## Horizontal board mounting

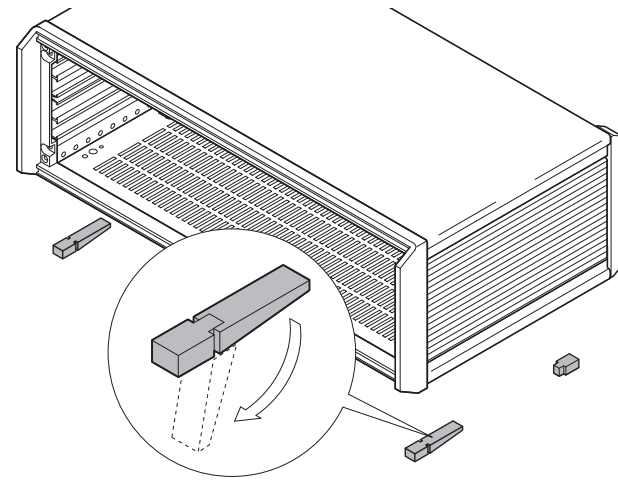
### Order Information

 <small>05806092</small>		Horizontal board mounting			
		 <small>05806091</small>	 <small>hpa45913</small>	 <small>bz243061</small>	
(1 TE = 1 HP, 1 HE = 1 U) Height H Usable height h U HP		Other dimensions and options Horizontal rail, front    Horizontal rail, rear	Struts die-cast zinc; horizontal rails front and rear; threaded insert, St, zinc-plated; fixing material kit; for horizontal mounting of double-height euroboards in 3 or 4 U high subracks/cases; 54 HP space required; <b>please order front frame for EMC gasketing separately</b> <b>PU 1 kit</b>	2 horizontal trims, Al 2.5 mm, front anodised, rear iridescent green chromated; 2 vertical trims, Al extrusion, clear passivated; stainless steel EMC gasket; front frame forms the contact between subrack and the sub-assemblies <b>PU 1 kit</b>	Al, 2.5 mm, clear anodised; front frame with cut-out, clear internal width w = 266.35 mm <b>1 piece</b>
3	20		<b>24564-117</b>	24564-109	<b>34564-108</b>
3	20		24564-118	24564-109	34564-109
4	28		<b>24564-217</b>	24564-209	<b>34564-208</b>
Assembly tool, for mounting the EMC gasket (stainless steel) 			-	24560-270	-

\* For direct backplane mounting

## Desk-top enclosure – *propac PRO*

### Plastic tip-up feet




- Static load-carrying capacity 25 kg per foot
- Tip-up feet can be used instead of the pre-mounted case feet
- Fixing holes provided in bottom of case

#### Delivery comprises (kit)

Item	Qty	Description
1	4	Foot, PA, UL 94 V-0
2	4	Anti-slip protection, TPE
3	2	Tip-up device, PA, UL 94 V-0
4	1	Assembly kit

#### Order Information

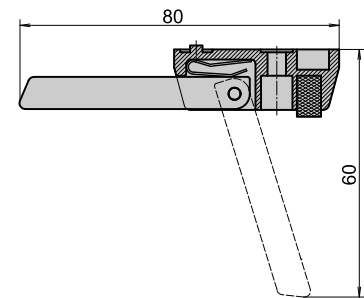
Description		Part no.
Plastic tip-up foot	anthracite, similar to RAL 7016, 4 pieces	20603-002
Plastic tip-up foot	silver, similar to RAL 9006, 4 pieces	20603-001
<b>Cheesehead screw with slot</b> M4 x 12, St, zinc-plated, PU 100 pieces		21101-211
<b>Hexagon nut</b> M4, St, zinc-plated, PU 100 pieces		21100-211
<b>Spring washer</b> A4, St, zinc-plated, PU 100 pieces		21100-207

 For further information [www.schroff.biz/oneclick](http://www.schroff.biz/oneclick)  
oneClick search code = Part no.

05806093

02906050

### Tip-up feet made of die-cast aluminium



- Can be used instead of the round standard feet
- Fixing holes provided in bottom of case
- Secure case stance with slip-proof rubber inserts
- Load carrying capacity: 50 kg per foot, max. case weight 40 kg

#### Order Information

Description	Qty	Part no.
Foot with tip-up, Al die-cast, silver	1 piece (SPQ 10) <sup>1)</sup>	10603-002
Foot without tip-up, Al die-cast, silver	1 piece (SPQ 10) <sup>1)</sup>	10603-001
<b>Cheesehead screw with slot</b> M4 x 12, St, zinc-plated, PU 100 pieces		21101-211
<b>Hexagon nut</b> M4, St, zinc-plated, PU 100 pieces		21100-211
<b>Spring washer</b> A4, St, zinc-plated, PU 100 pieces		21100-207

1) Part no. comprises 1 piece;  
delivery is in standard pack quantity (SPQ);  
please order a minimum of 10 feet or a multiple

#### Note

- Delivery is in standard pack multiples;  
pricing is per individual item

AZ443836

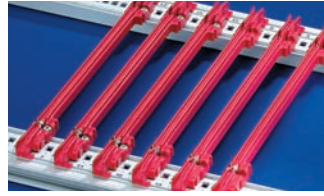
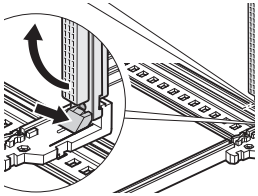
02906051

Part number in bold face type: ready for despatch within 2 working days  
Part number in normal type: ready for despatch within 10 working days

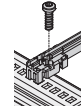
## Desk-top enclosure - *propac PRO*

Guide rails for plug-in units and frame type plug-in units, one-piece, groove width 2 mm

### Order Information

Assembly			For plug-in units and frame type plug-in units	
- can be clipped into Al extruded horizontal rails - can be clipped into 1.5 mm thick plates  <b>Storage temperature</b> from -40 °C ... 130 °C			Standard	With DIN connector fixing as standard
			 <p>up to 220 mm length, PBT, UL 94 V-0;                      multi-piece from 280 mm length,                      end piece PBT, UL 94 V-0,                      central section Al extrusion</p>	 <p>PBT, UL 94 V-0, red,                      connector is clipped directly onto the guide rails;                      for euroboards, 100 x 160 mm or 100 x 220 mm only</p>
Board lengths mm	Groove width mm	Colour mm	PU 10 pieces	1 pair (SPQ 10) <sup>1)</sup>
70	2	red	–	–
70	2	grey	–	–
160	2	red	24560-351	64560-074
220	2	red	24560-353	64560-075
280	2	red	24560-379	–
340	2	red	24560-380	–
Dimension drawings see page			6.40	6.40

### Accessories

Retention screw, PU 100 pieces		24560-141	24560-141
ESD clip, PU 50 pieces description see page 6.41		24560-255	24560-255

1) SPQ (standard pack quantity): Order number includes 1 piece, but delivery is exclusively made in standard pack quantity (SPQ); please order at least the SPQ quantity or a multiple thereof

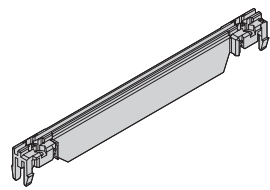
2) Part no. includes one packing unit (PU); delivery is exclusively made in PU

Further guide rails see page 6.35

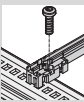
## Desk-top enclosure - *propac* **PRO**

Guide rails type "accessories", one-piece, groove width 2 mm and 2.5 mm

### Order Information

<b>Assembly</b> - can be clipped into horizontal rails in Al extrusion - can be clipped into 1.5 mm thick plates  <b>storage temperature</b> from -40 °C ... +130 °C			<b>Guide rails "Accessories"</b>   <p style="font-size: 8px; margin-top: 5px;">up to 280 mm length, PBT, UL 94 V-0; multi-piece from 280 mm length, end piece PBT, UL 94V-0, middle section Al extrusion</p>	<b>Guide rails "Accessories" strengthened</b>   <p style="font-size: 8px; margin-top: 5px;">PBT UL 94 V-0, red support beam of guide rails adds to strengthening</p>	<b>Guide rails for heavy modules, Al extrusion, silver, robust version</b>   <p style="font-size: 8px; margin-top: 5px;">Al extrusion; is screwed to horizontal rail "heavy" with retention screws</p>
<b>Board lengths</b>	<b>Groove width</b>	<b>Colour</b>	<b>PU 10 pieces</b>	<b>1 piece (SPQ 50)</b>	<b>1 piece (SPQ 50)<sup>1)</sup></b>
100	2	red	-	-	-
160	2	red	24560-373	64560-076	-
160	2	grey	-	-	34562-881
220	2	red	24560-374	64560-078	-
220	2	grey	-	-	34562-882
280	2	red/ silver	24560-375	64560-080	34562-883
340	2	red/ silver	24560-376	-	34562-884
400	2	silver	-	-	34562-885
160	2.5	silver	-	-	34564-881
220	2.5	silver	-	-	34564-882
280	2.5	silver	-	-	34564-883
340	2.5	silver	-	-	34564-884
400	2.5	silver	-	-	34564-885
Dimension drawings see page			6.40	6.40	6.40

### Accessories

Retention screw, PU 100 pieces 	24560-141	24560-141	24560-157
ESD clip, PU 50 pieces description see page 6.41	24560-255	24560-255	-
Board locking, red, PU 10 pieces, description see page 6.41	24560-377	24560-377	-
Board handle, red, PU 10 pieces, description see page 6.41	24560-378	24560-378	-
Identification strips for board handle, red, PU 1 sheet = 438 pieces, description see page 6.41	60817-228	60817-228	-
Coding see page	6.41	6.41	-

1) SPQ (standard pack quantity): Order number includes 1 piece, but delivery is exclusively made in standard pack quantity (SPQ); please order at least the SPQ quantity or a multiple thereof

2) Part no. includes one packing unit (PU); delivery is exclusively made in PU

Further guide rails see page 6.35

# Desk-top enclosure - *propac* PRO

## Divider plate

### Order Information

					Divider plate	
					Mounting position when stainless steel EMC gasket is used	Mounting position when textile EMC gasket is used
					<p>Stainless steel, 1 mm, is mounted by clipping onto horizontal rail, space requirement on component side 2 mm; mounting direction varies with shielding design (EMC stainless steel or textile gasket); retrofitting the divider plate in an already-assembled subrack/case will first require dismantling of the horizontal rails; where front panels are unshielded, both mounting directions are possible</p>	
Height	Depth	A	B	H	PU 10 pieces	
U	mm	mm	mm	mm		
3	160	158.3	135.0	113.5	34562-761	
3	220	218.3	195.0	113.5	34562-762	
6	160	158.3	135.0	246.9	34562-763	
6	220	218.3	195.0	246.9	34562-764	

## Air baffle for slots

### Order Information

			Air baffle without front panel	Air baffle with front panel
			U front panel for textile EMC gasket	
			<p>Al, 1 mm, incl. assembly kit; prevents an air short circuit in unoccupied slot positions; is pushed into the groove of the guide rails</p>	
			<p>Air deflector, Al, 1 mm, front panel, Al extrusion, 2.5 mm, front anodised, rear conductive; EMC textile gasket, fixing materials kit prevents an air short-circuit where slots are unoccupied; is pushed into the groove of the guide rails</p>	
Depth	Width	Height	1 piece	1 piece
mm	HP	U		
160	4	3	34562-823	20848-728
160	4	6	34562-826	20848-736
160	8	3	34562-833	20848-730
160	8	6	34562-836	20848-738
160	12	3	34562-843	20848-732
160	12	6	34562-846	20848-740
220	4	3	34562-824	20848-729
220	4	6	34562-827	20848-736
220	8	3	34562-834	20848-731
220	8	6	34562-837	20848-739
220	12	3	34562-844	20848-733
220	12	6	34562-847	20848-741

Overview ..... 0

Cabinets ..... 1

Wall mounted cases ..... 2

Accessories for cabinets and wall mounted cases 3

Climate control 4

Desk-top cases 5

Subracks/ 19" chassis ... 6

Front panels, plug-in units .. 7

Systems ..... 8

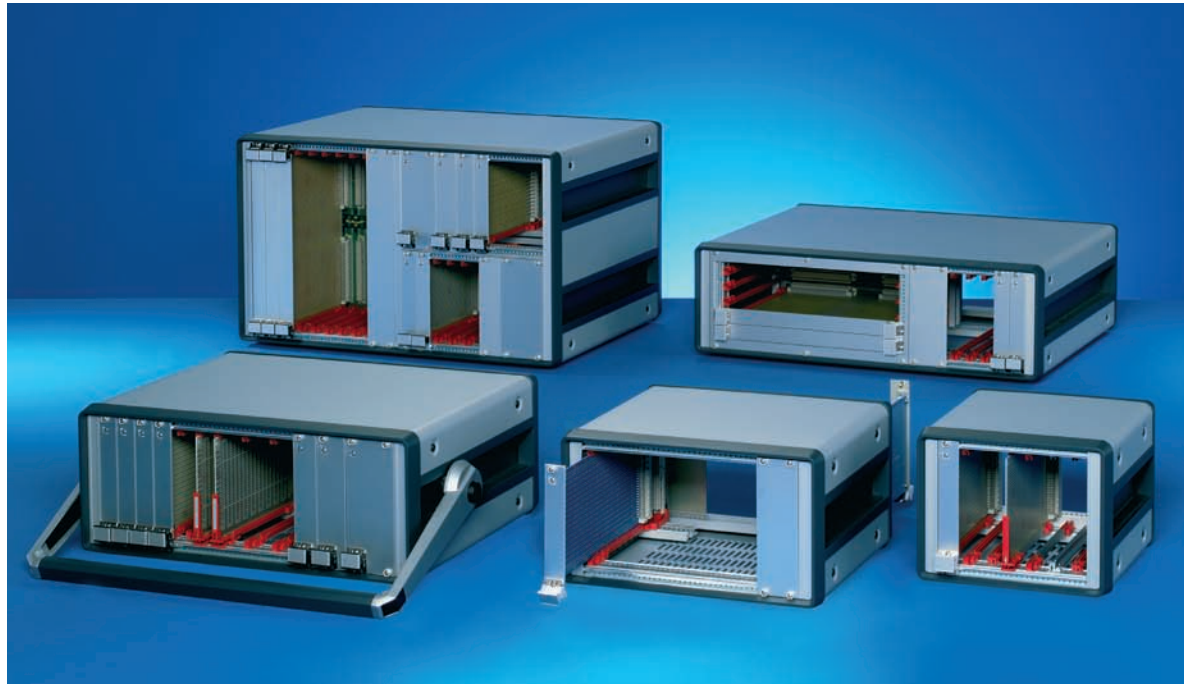
Power supply units ..... 9

Backplanes .. 10

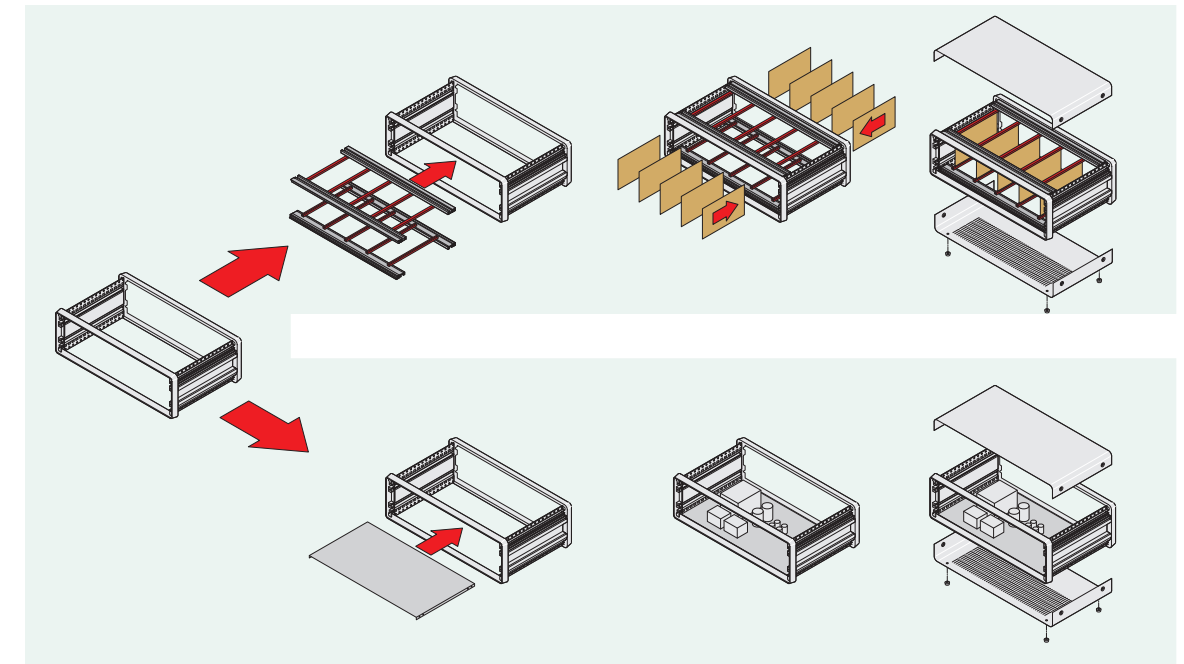
Connectors, front panel component system ..... 11

Appendix .... 12

## Desk-top cases - *compacPRO*



02004009



02004079

Flexible expansion options, for 19" components e.g. plug-in unit units, or for individual expansion

### Standards

- Interior dimensions in accordance with: IEC 60297-3-101
- Type of protection IP 20 in accordance with IEC 60529
- GND/earth connections in accordance with:
  - DIN EN 50178 / VDE 0160
  - DIN EN 60950 / VDE 0805
  - DIN EN 61010-1 / VDE 0411 part 1
  - DIN EN 61010-1A2 / VDE 0411 part 1/A12



Downloads and further important information can be found on the Internet under [www.schroff.biz](http://www.schroff.biz)

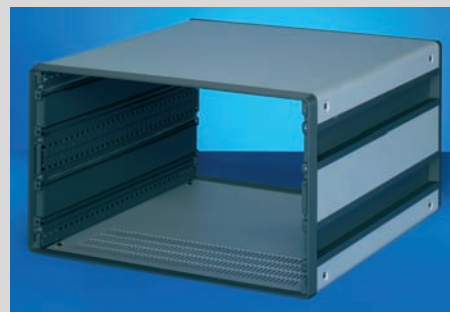
**Robust desk-top case for 19" components in accordance with IEC 60297-3-10x or for individual electronics assemblies**

- Front and rear identical, depth-symmetrical construction
- Highly robust thanks to die-cast frame (front/rear)
- Side panel with integrated handle function



**Desk-top cases**

- **Complete case**
  - Pre-configured case, prepared for 19" components
  - Case height 3 U and 6 U



- **Case**
  - Case height 2 U, 3 U, 4 U and 6 U



**Extensive accessory range**



**ServicePLUS from page 5.4**

e.g. modifications (special colours, special depths, cut-outs in top cover, base plate or side panels)  
e.g. assembly service from 1 piece

[www.schroff.biz/ServicePLUS](http://www.schroff.biz/ServicePLUS)

**compacPRO**  
**Complete cases**  
 3, 6 U ..... 5.78  
 Cases 2, 3, 4 U .. 5.79  
 6 U cases ..... 5.80

**Accessories**  
 Filler angle ..... 5.81  
 Cable holder .... 5.81  
 Front panel/rear panel ..... 5.82  
 Rear feet ..... 5.83  
 Edge protection. 5.83  
 Hood ..... 5.84  
 Front door ..... 5.85  
 Handle ..... 5.86  
 GND/earthing ... 5.86  
 Feet ..... 5.87  
 Horizontal rail . 5.88  
 Threaded inserts 5.90  
 Guide rails and ESD clips ..... 5.92  
 Mounting plates. 5.94  
 Combined mounting ..... 5.95  
 Horizontal board assembly ..... 5.96  
 Air flow barrier .. 5.97  
 Dimensions ..... 5.98

**ServicePLUS .. 5.4**

# Desk-top cases - *compacPRO*

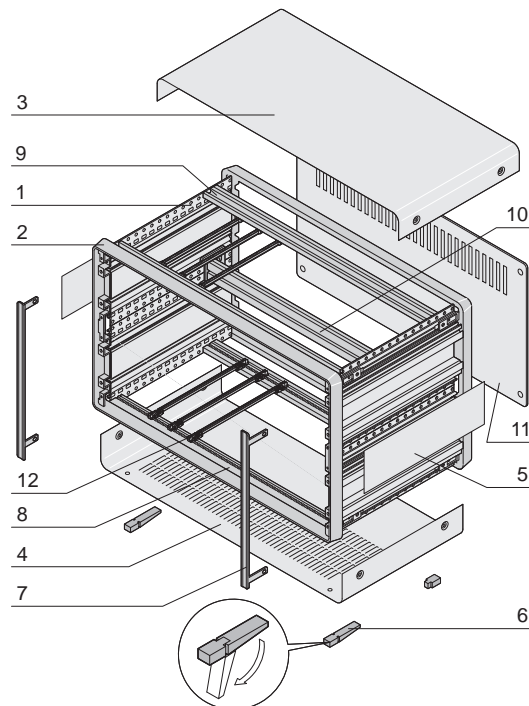
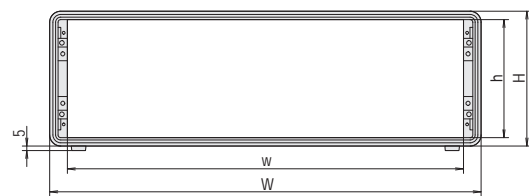
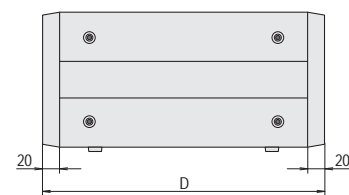
## Complete cases 3 and 6 U



- Desk-top case with pre-configured components in accordance with IEC 60297-3-101; prepared for 19" components such as plug-in units and euroboards
- For backplane mounting with insulation strips
- Ventilation slots in base plate
- Ventilation slots in rear panel

### Delivery comprises (Kit, items 1, 2, 6, 8 fitted)

Item	Qty		Description
	3 U	6 U	
1	2	4	Side panel, Al extrusion, powder-coated, RAL 7016
2	2	2	Frame, Al die-cast, powder-coated, RAL 7016
3	1	1	Cover plate, Al, 1.5 mm, powder-coated, RAL 9006, with GND/earthing tag
4	1	1	Base plate with 4 rows of ventilation slots, Al, 1.5 mm, powder-coated, RAL 9006, with GND/earthing tag
5	-	2	Side plate powder-coated, RAL 9006, Al, 0.8 mm
6	4	4	Tip-up foot with anti-slip protection, PA, RAL 7016, UL 94 V-0
7	2	2	Cover bracket, Al extrusion, anodised, cut edges plain
8	2	2	Horizontal rail, Al extrusion, with threaded insert, St, M2.5
9	2	2	Rear horizontal rail, Al extrusion, with threaded insert, St, M2.5 and insulation strip, PBT, UL 94 V-0 (for indirect backplane mounting)
10	-	1	Centre horizontal rail, Al extrusion, anodised, conductive surfaces, with two threaded inserts, St, M2.5 and two insulation strips, PBT, UL 94 V-0
11	1	1	Rear panel with 1 row of ventilation slots, Al, anodised, 2 mm for 28, 42 and 63 HP, 2.5 mm for 84 HP
12	10/20	10/20	Guide rail for 160 mm board length, PBT, UL 94 V-0, 28/42 HP 10 pieces, 63/84 HP 20 pieces
13	1	1	GND/earthing kit
14	1	1	Assembly kit, also allows the fitting of a full-width front panel



### Order Information

Height H	Width W	Depth D	Usable width		Part no.
			w	w	
U	mm	mm	HP	mm	
3	186	271	28	148	14575-114
3	186	331	28	148	14575-115
3	257	271	42	219	14575-134
3	257	331	42	219	14575-135
3	257	391	42	219	14575-136
3	364	271	63	326	14575-154
3	364	331	63	326	14575-155
3	364	391	63	326	14575-156
3	471	271	84	432	14575-174
3	471	331	84	432	14575-175
3	471	391	84	432	14575-176
3	471	511	84	432	14575-178
6	471	391	84	432	14575-476
6	471	451	84	432	14575-477

Maximum mounting depth = D - 21 (open space: front panel - rear panel)

### Note

- Dimensions of case, side panel see from page 5.98



ServicePLUS see page 5.4



# Desk-top cases - *compacPRO*

## Cases 2, 3 and 4 U



- Desk-top case, pre-configured, for individual assembly
- For backplane mounting with insulation strips
- Ventilation slots in base plate

### Delivery comprises (Kit, items 1 and 2 fitted)

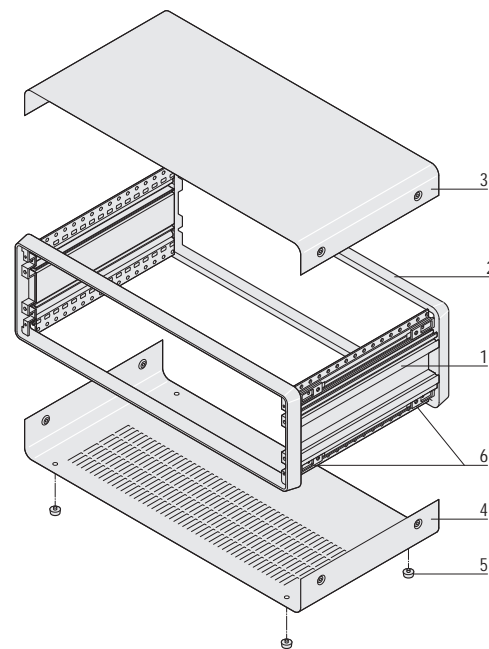
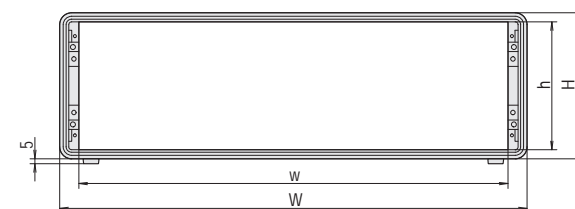
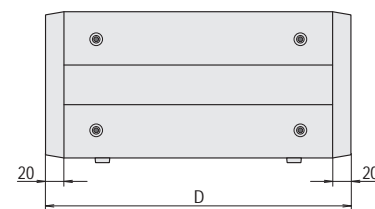
Item	Qty	Description
1	2	Side panel, Al extrusion, powder-coated, RAL 7016
2	2	Frame, Al die-cast, powder-coated, RAL 7016
3	1	Cover plate, Al, 1.5 mm, powder-coated, RAL 9006, with GND/earthing connection
4	1	Base plate with 4 rows of ventilation slots, Al, 1.5 mm, powder-coated RAL 9006, with earthing connection
5	4	Case foot with anti-slip protection, PC, black
6	8	Fixing adaptor for cover plate, prefitted
7	1	Assembly kit, also allows the fitting of a full-width front panel, two cover brackets or a rear panel

### Order Information

Height U	Usable width HP	Width W mm	Width w mm	Height H mm	Height h mm	Depth D mm	Part no.
2	42	257	219	102.6	84.4	271	14575-023
2	42	257	219	102.6	84.4	331	14575-025
2	42	257	219	102.6	84.4	391	14575-027
2	84	471	432	102.6	84.4	271	14575-063
2	84	471	432	102.6	84.4	331	14575-065
2	84	471	432	102.6	84.4	391	14575-067
3	28	186	148	147.1	129.3	271	14575-103
3	28	186	148	147.1	129.3	331	14575-105
3	42	257	219	147.1	129.3	271	14575-123
3	42	257	219	147.1	129.3	331	14575-125
3	42	257	219	147.1	129.3	391	14575-127
3	63	364	326	147.1	129.3	271	14575-143
3	63	364	326	147.1	129.3	331	14575-145
3	63	364	326	147.1	129.3	391	14575-147
3	84	471	432	147.1	129.3	271	14575-163
3	84	471	432	147.1	129.3	331	14575-165
3	84	471	432	147.1	129.3	391	14575-167
3	84	471	432	147.1	129.3	451	14575-169
3	84	471	432	147.1	129.3	511	14575-171
4	42	257	219	191.6	173.8	271	14575-223
4	42	257	219	191.6	173.8	331	14575-225
4	63	364	326	191.6	173.8	271	14575-243
4	63	364	326	191.6	173.8	331	14575-245
4	63	364	326	191.6	173.8	391	14575-247
4	84	471	432	191.6	173.8	331	14575-265
4	84	471	432	191.6	173.8	391	14575-267
4	84	471	432	191.6	173.8	451	14575-269
4	84	471	432	191.6	173.8	511	14575-271



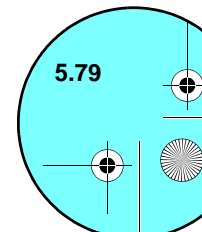
For further information [www.schruff.biz/oneclick](http://www.schruff.biz/oneclick)  
oneClick search code = Part no.



ServicePLUS see page 5.4

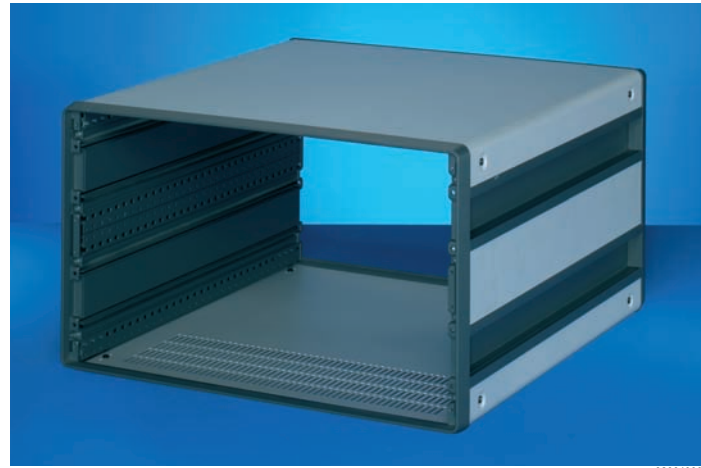
Main Catalogue  
E 10/2012

Part number in bold face type: ready for despatch within 2 working days  
Part number in normal type: ready for despatch within 10 working days



# Desk-top cases - *compacPRO*

## 6 U cases




- Desk-top case, pre-configured, for individual assembly
- For backplane mounting with insulation strips
- Ventilation slots in base plate

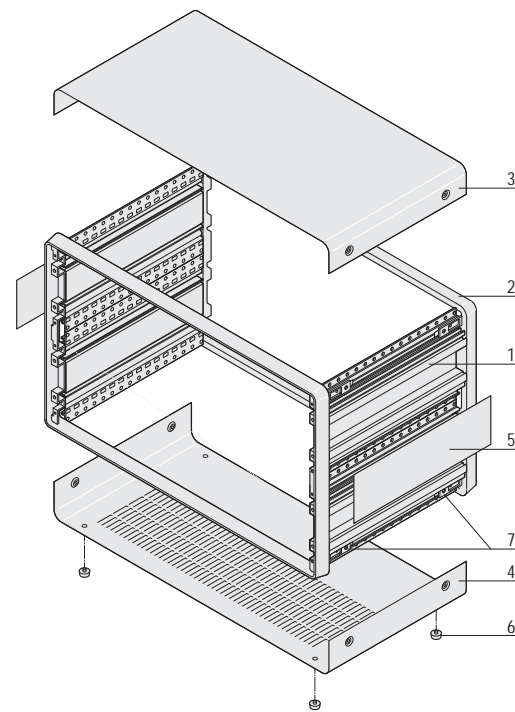
**Delivery comprises** (Kit items 1, 2 and 5 fitted)

Item	Qty	Description
1	4	Side panel parts, Al extrusion, powder-coated, RAL 7016, 2 x 3 U
2	2	Frame, Al die-cast, powder-coated, RAL 7016
3	1	Cover plate, Al, 1.5 mm, powder-coated, RAL 9006, with GND/earthing tag
4	1	Base plate with 4 rows of ventilation slots, Al, 1.5 mm, powder-coated, RAL 9006, with GND/earthing tag
5	2	Side plate, Al, 0.8 mm, powder-coated, RAL 9006
6	4	Case foot with anti-slip protection, PC, black
7	8	Fixing adaptor for cover plate, prefitted
8	1	Assembly kit also allows the fitting of a full-width front panel, two cover brackets or a rear panel

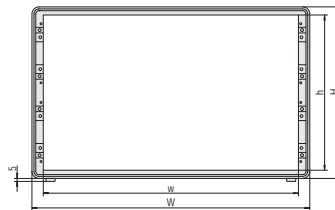
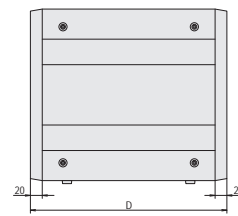
### Order Information

Usable width	Width W	Width w	Height H	Height h	Depth D	Part no.
HP	mm	mm	mm	mm	mm	
63	364	326	280.5	262.9	331	14575-445
63	364	326	280.5	262.9	391	14575-447
84	471	432	280.5	262.9	271	14575-463
84	471	432	280.5	262.9	331	14575-465
84	471	432	280.5	262.9	391	14575-467
84	471	432	280.5	262.9	451	14575-469
84	471	432	280.5	262.9	511	14575-471

 For further information [www.schroff.biz/oneclick](http://www.schroff.biz/oneclick)  
oneClick search code = Part no.



02004055



02004056



ServicePLUS see page 5.4

5.80

Main Catalogue  
E 10/2012

Part number in bold face type: ready for despatch within 2 working days  
Part number in normal type: ready for despatch within 10 working days

## Desk-top cases - *compacPRO*

### Filler angle



- To cover the sides of the frame and to create a continuous front plane with plug-in units and partial-width front panels
- This filler angle is recommended when fitting horizontal rails

#### Delivery comprises


Item	Qty	Description
1	2	Filler angle, Al extrusion, anodised, cut edges plain

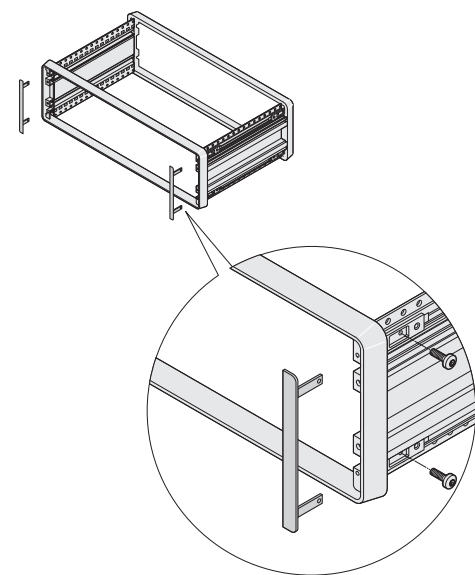
#### Order Information

Height	Part no.
U	
2	24575-019
3	24575-119
4	24575-219
6	24575-419

#### Note

- Fixing material is supplied with case

 For further information [www.schroff.biz/oneclick](http://www.schroff.biz/oneclick)  
oneClick search code = Part no.



02004062


### Cable holder

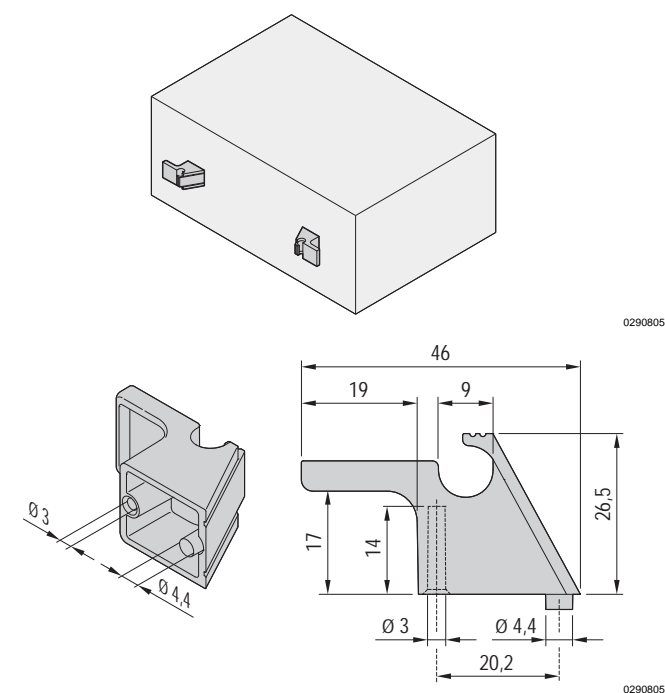
#### Delivery comprises (kit)

Item	Qty	Description
1	2	Cable bracket, ABS, UL V-94 0, RAL 7016, detent for cables between 8 mm and 12 mm
2	1	Drilling template, two drill holes each per bracket are needed in rear panel
3	1	Assembly kit

#### Order Information

Description	Part no.
Cable holder	24575-800

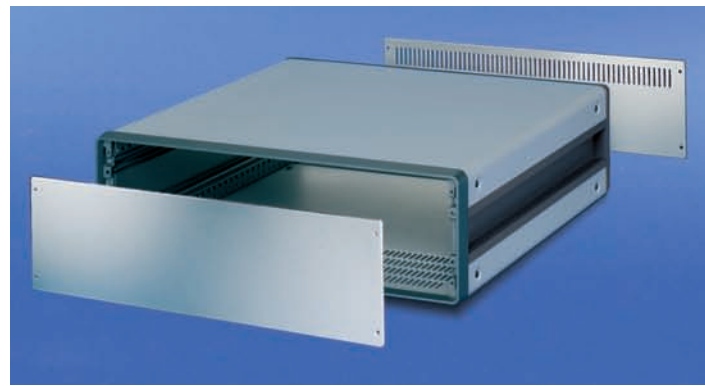
 For further information [www.schroff.biz/oneclick](http://www.schroff.biz/oneclick)  
oneClick search code = Part no.



02908052

## Desk-top cases - *compacPRO*

### Front panel and rear panel



- Front panels and rear panels are screwed on front or rear frame of case

#### Delivery comprises (kit)

Item	Qty	Description
1	1	Rear panel with 4 rows of ventilation slots, Al, anodised, cut edges plain; 28, 42, 63 HP = 2 mm thick; 84 HP = 2.5 mm thick
2	1	Front panel, Al, anodised, cut edges plain, 3 mm thick

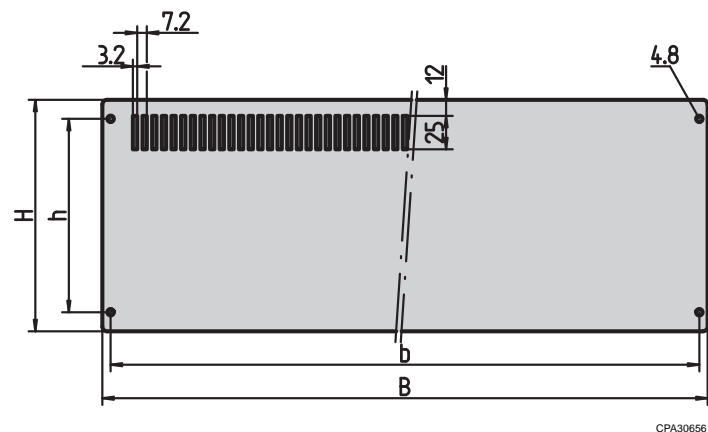
#### Order Information

Height	Width	Height	Height	Width	Rear panel	Front panel	
U	HP	H mm	h mm	B mm	b mm	Part no.	Part no.
2	42	84	66	238.7	226.3	30823-015	30823-209
2	84	84	66	452.1	439.7	30823-512	30823-215
3	28	128.4	100	167.5	155.1	30823-021	30823-254
3	42	128.4	100	238.7	226.3	30823-024	30823-257
3	63	128.4	100	345.4	333.1	30823-027	30823-224
3	84	128.4	100	452.1	439.7	30823-515	30823-260
4	42	172.9	144.5	238.7	226.3	30823-033	30823-269
4	63	172.9	144.5	345.4	333.1	30823-036	30823-227
4	84	172.9	144.5	452.1	439.7	30823-518	30823-272
6	63	261.8	233.4	345.4	333.1	30823-045	30823-230
6	84	261.8	233.4	452.1	439.7	30823-521	30823-284

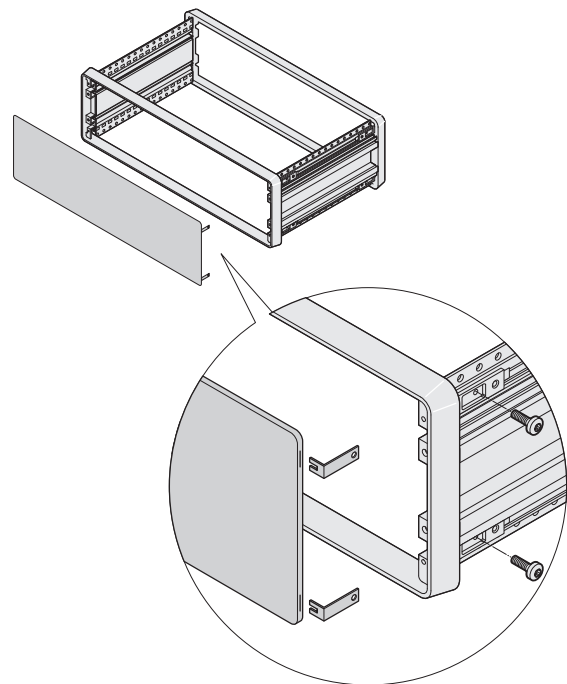
#### Note

- Assembly kit to fix one rear and one front panel is included with the case
- Cable holder and rear feet, see from page 5.81

Rear panel/front panel



### Front panel/rear panel with hidden fixing



#### Delivery comprises (kit)

Item	Qty	Description
1	1	Front panel, Al, anodised, cut edges plain, 2.5 mm
2	4	Fixing bracket

#### Order Information

Height	Width	Height	Height	Width	Part no.	
U	HP	H mm	h mm	B mm	b mm	
2	42	84.0	66.0	238.7	226.3	24575-035
2	84	84.0	66.0	452.1	439.7	24575-075
3	28	128.4	100.0	167.5	155.1	24575-115
3	42	128.4	100.0	238.7	226.3	24575-135
3	63	128.4	100.0	345.4	333.1	24575-155
3	84	128.4	100.0	452.1	439.7	24575-175
4	42	172.9	144.5	238.7	226.3	24575-235
4	63	172.9	144.5	345.4	333.1	24575-255
4	84	172.9	144.5	452.1	439.7	24575-275
6	63	261.8	233.4	345.4	333.1	24575-455
6	84	261.8	233.4	452.1	439.7	24575-475

#### Note

- Cable holder and rear feet see from page 5.81

## Desk-top cases - *compacPRO*

### Rear foot with rubber insert



#### Delivery comprises

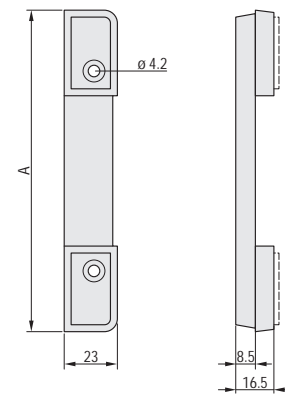
Item	Qty	Description
1	2	Foot with rubber insert, PC, UL 94 V-0, RAL 7016
2	1	Fixing material

#### Order Information

For case height	A	Part no.
<b>U</b>	mm	
3	139	24575-114
4	183.5	24575-214



For further information [www.schroff.biz/oneclick](http://www.schroff.biz/oneclick)  
oneClick search code = Part no.



02004063

### Edge protection/rear foot



#### Delivery comprises

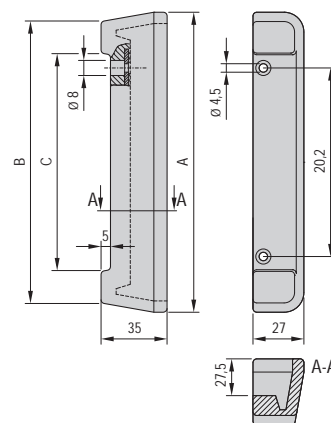
Item	Qty	Description
1	2	Edge protection, PU foam, black
2	1	Assembly kit

#### Order Information

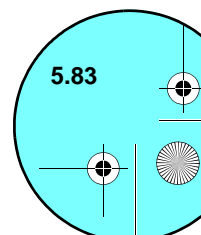
For case height	A	B	C	Part no.
<b>U</b>	mm	mm	mm	
3	159.1	114.0	100.0	20823-675
4	203.6	159.0	144.5	20823-676



For further information [www.schroff.biz/oneclick](http://www.schroff.biz/oneclick)  
oneClick search code = Part no.

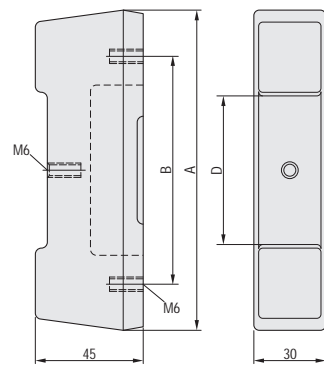


02908054



## Desk-top cases - *compacPRO*

### Rear foot for hood



#### Delivery comprises

Item	Qty	Description
1	2	Foot, PU foam, black, 75° shore
2	1	Fixing material

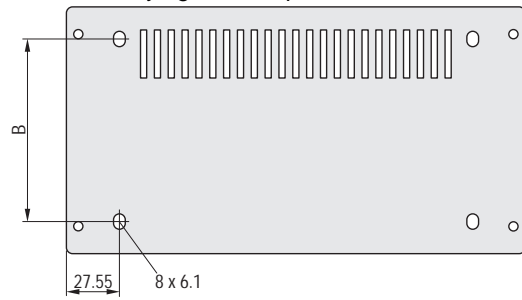
#### Order Information

Height	A	B	D	Part no.
U	mm	mm	mm	
3	133.5	95	65	20823-668
4	177.8	139.5	95	20823-669

- Rear panel, see page 5.82

For further information [www.schroff.biz/oneclick](http://www.schroff.biz/oneclick)  
oneClick search code = Part no.

#### Dimensions for modifying the rear panel



### Hood



#### Delivery comprises

Item	Qty	Description
1	1	Hood, ABS, RAL 7016, wall thickness < 4 mm, fixing with knurled screws
2	1	Assembly kit

#### Order Information

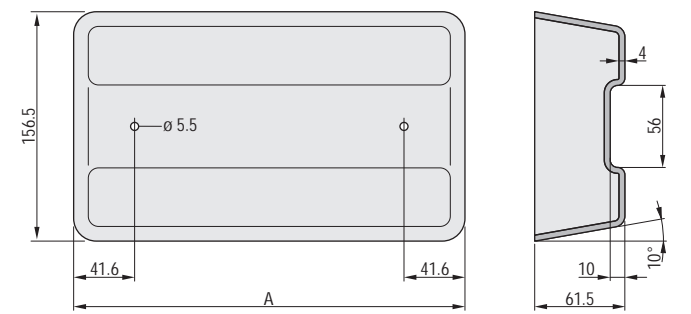
Height	Width	A	Part no.
U	HP	mm	
3	42	267	24575-136
3	63	373.5	24575-156
3	84	480	24575-176

**Cable support** PC, black, UL 94 V-0, PU 2 pieces 20823-674

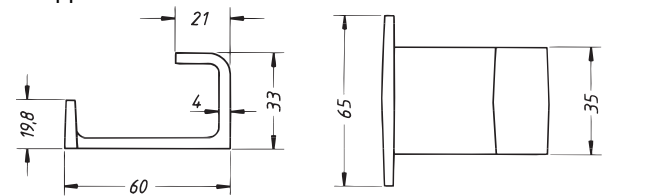
#### Note

- Cable support can only be fitted in conjunction with rear foot for hood
- To fit the hood, the rear panel and the rear foot for hood must be mounted on the case
- Rear panel, see page 5.82
- Rear foot for hood see page 5.84

For further information [www.schroff.biz/oneclick](http://www.schroff.biz/oneclick)  
oneClick search code = Part no.



#### Cable support



A4-512

## Desk-top cases - *compacPRO*

Front door, acrylic glass, hinged



- Assembly of the hinge to top or bottom
- With snap-on latch
- Lock retrofitable

### Delivery comprises (kit)

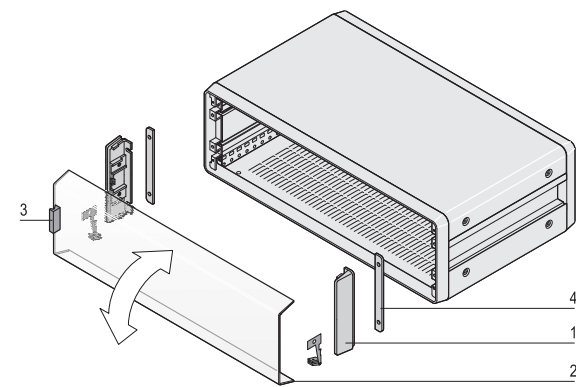
Item	Qty	Description
1	2	Side part, Al die-cast, powder-coated, RAL 7016
2	1	Front door, PMMA, tinted blue-grey, acrylic glass, 3 mm
3	1	Snap-on latch, PC, UL 94 V-0, black
4	2	Spacer plate, Al, 3 mm, passivated
5	1	Assembly kit

### Order Information

Height	Width	Part no.
U	HP	
3	42	24575-137
3	63	24575-157
3	84	24575-177
<b>Lock for front door</b> cylinder, 2 keys, assembly parts		21100-647

### Dimensions table

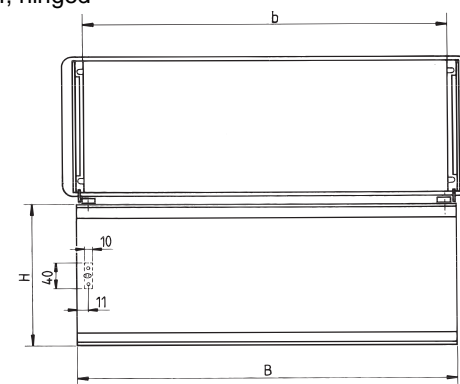
Height	b	H	h	B
U	TE	mm	mm	mm
3	42	139,50	128,40	229,60
3	63	139,50	128,40	336,40
3	84	139,50	128,40	443,00



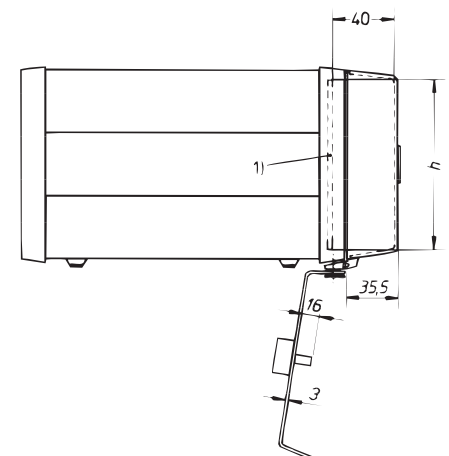
02005003

02004069

Front door, hinged



a4-2265



a4-225

1) Front panel

Main Catalogue  
E 10/2012

Part number in bold face type: ready for despatch within 2 working days  
Part number in normal type: ready for despatch within 10 working days

5.85

## Desk-top cases - *compacPRO*

### Tip-up carrying handle



02004002

- With powder-coated handle bar
- Handle bar adjustable in 30 degree increments by pressing button
- Load-carrying capacity 20 kg

#### Delivery comprises (kit)

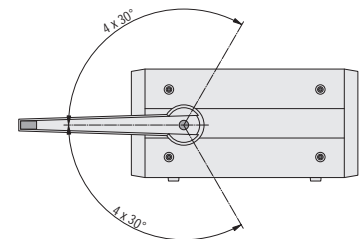
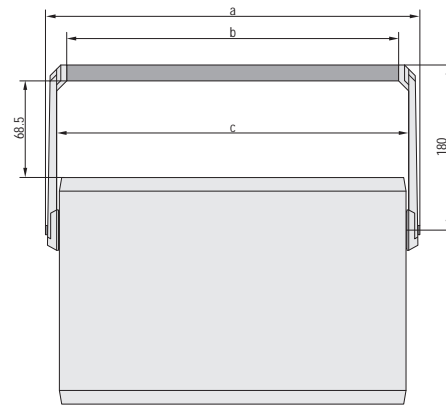
Item	Qty	Description
1	1	Carrying bar, Al profile, powder-coated, RAL 7016
2	2	Lateral section of handle, Zn die-cast, powder coated, length 180 mm
3	2	Safety insert, St, 1.5 mm, black
4	1	Fixing material incl. drilling template for side panel

#### Order Information


For case height	Width	Part no.
<b>U</b>	<b>HP</b>	
2	42	24575-038
2	84	24575-078
3, 4	28	24575-118
3, 4	42	24575-138
3, 4	63	24575-158
3, 4	84	24575-178

#### Dimensions

Case width	a	b	c
HP	mm	mm	mm
28	249.32	180.32	202.72
42	320.44	251.44	273.84
63	427.12	358.12	380.52
84	533.80	464.80	487,20



02004080

 For further information [www.schroff.biz/oneclick](http://www.schroff.biz/oneclick)  
oneClick search code = Part no.

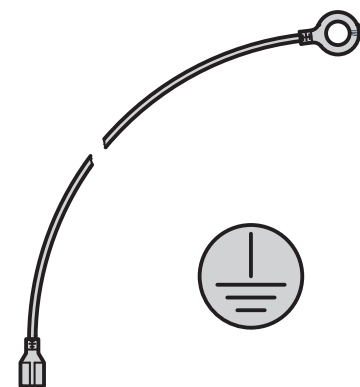
### GND/earthing kit

- Protective GND/earth connections in accordance with  
DIN EN 50178/VDE 0160,  
DIN EN 60950/VDE 0805,  
DIN EN 61010-1/VDE 0411 part 1,  
DIN EN 61010-1A2 /VDE 0411 part 1/A1  
VDE inspection requested

#### Order Information

Description	Qty/PU	Part no.
GND/earthing kit, CU wire 1.5 mm <sup>2</sup> , PVC covered, green/yellow, links side panel, base plate, cover and rear panel	1	24575-801

02043284



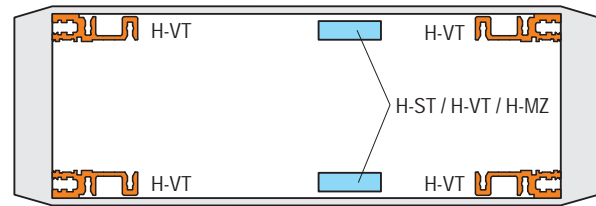




# Desk-top cases - *compacPRO*

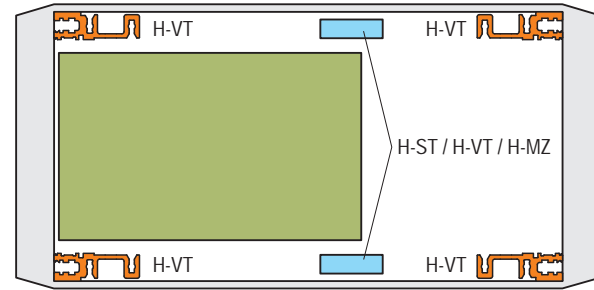
## Mounting position horizontal/central rail

Case, 2 U



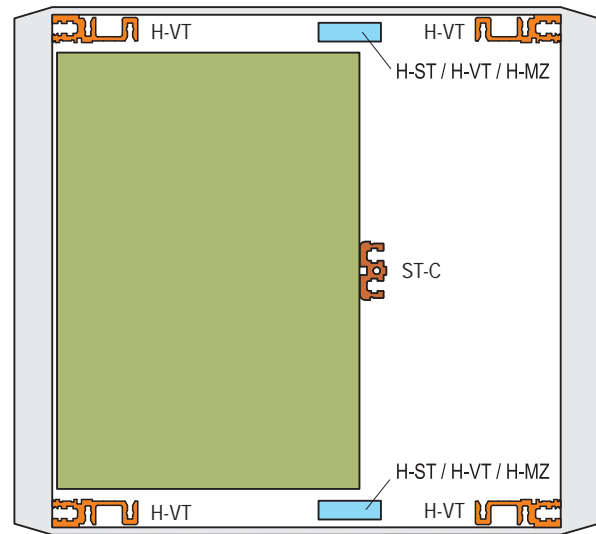
02004073

Case, 3 U + 4 U



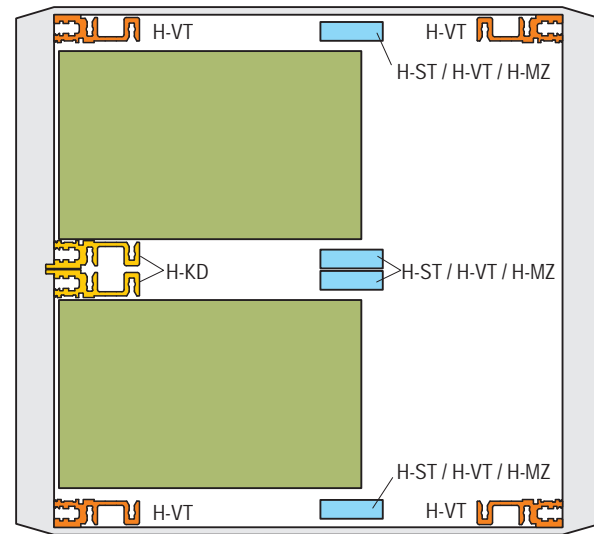
02004074

Case, 6 U



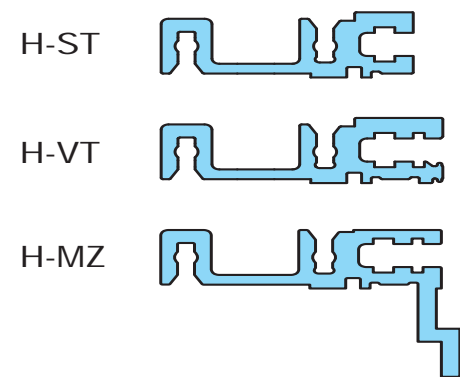
02004076

Case 2 x 3 U (6 U)



02004077

### Horizontal rails











02004078

# Desk-top cases - *compacPRO*

Horizontal rails to front/centre/rear

## Order Information

		For indirect backplane fixing with insulation strip	For direct backplane fixing	For direct fixing of connectors in accordance with EN 60603-2 (DIN 41612)	Front horizontal rails
		 04400001	 04400002	 04400003	 04400003
		<b>"heavy" Type H-ST standard</b>	<b>"heavy" Type H-VT long lip</b>	<b>"heavy" Type H-MZ with Z-rail</b>	<b>"heavy" Type H-KD short lip</b>
		 06197011	 06197013	 06197015	 06197008
		Al extrusion, anodised finish, conductive contact surface, with printed HP markings	Al extrusion, anodised finish, conductive contact surface, with printed HP markings	Al extrusion, anodised finish, conductive contact surface, with printed HP markings	Al extrusion, anodised finish, conductive contact surface, with printed HP markings
<b>Usable length HP</b>	<b>Length mm</b>	<b>1 piece (SPQ 10)<sup>1)</sup></b>	<b>1 piece (SPQ 10)<sup>1)</sup></b>	<b>1 piece (SPQ 10)<sup>1)</sup></b>	<b>1 piece (SPQ 10)<sup>1)</sup></b>
28	147.32	34560-528	34560-728	34560-928	34560-228
42	218.44	34560-542	34560-742	34560-942	34560-242
63	325.12	34560-563	34560-763	34560-963	34560-263
84	431.80	34560-584	34560-784	34560-984	34560-284
Torx countersunk screw, , M4 x 14, St, zinc-plated, PU 100 pieces		24571-371	24571-371	24571-371	24571-371
Torx countersunk screw, , M4 x 10, St, zinc-plated, required if guide rail is screwed to slot 1, PU 100 pieces		-	-	24571-372	24571-372
Z-rail for connector mounting without insulation strip see page		5.91	-	-	-
Insulation strips see page		-	5.90	-	-
Threaded inserts see page		5.90	5.90	5.90	5.90

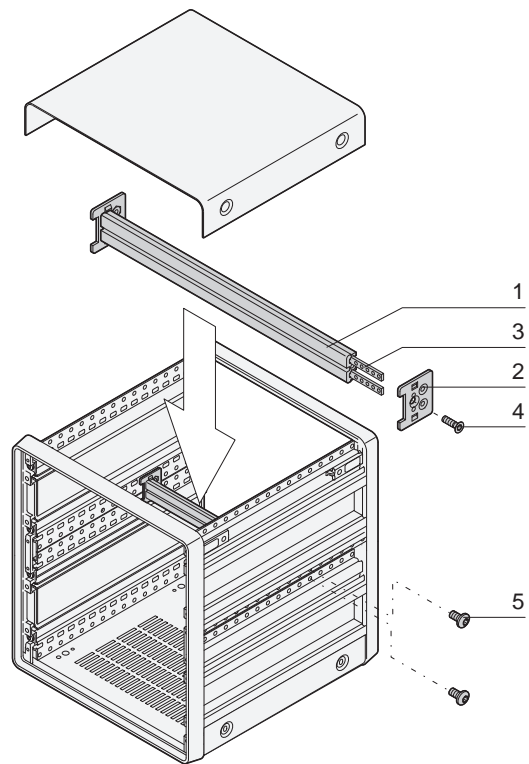
<sup>1)</sup> SPQ (standard pack quantity): Order number includes 1 piece, but delivery is exclusively made in standard pack quantity (SPQ); please order at least the SPQ quantity or a multiple thereof

### Note

- Further horizontal rails, see from page 6.27
- Fitting options, see page 5.88

# Desk-top cases - *compacPRO*

## Horizontal rail, centre, type ST-C



- For indirect backplane mounting (with insulation strip)
- For 6 U compacPRO case

**Delivery comprises** (Kit, items 1 to 4 are pre-mounted)

Item	Qty	Description
1	1	Horizontal rail, Al extrusion, anodised, contact surfaces conductive
2	2	Adaptor plate, Al
3	2	Threaded insert, M2.5, St, zinc-plated
4	2	Countersunk screw, M4 x 14
5	4	Panhead screw, M4 x 6

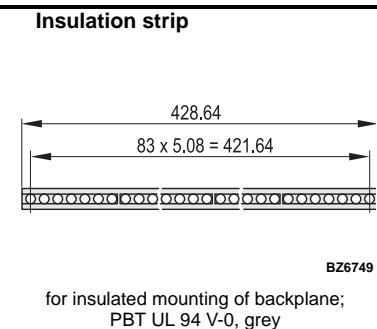
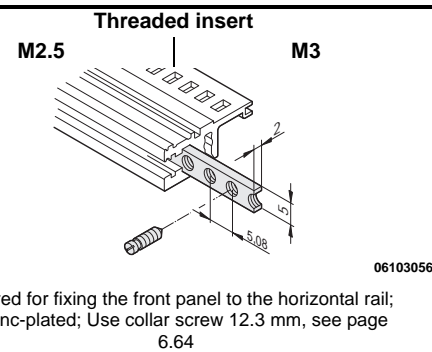
### Order Information

Usable width	Length	Part no.
HP	mm	
63	325.1	24575-454
84	431.8	24575-474

## Threaded inserts, perforated strips, insulation strips

### Order Information

Usable length	Threaded insert		Insulation strip		
	Length mm	1 piece (SPQ 10) <sup>1)</sup>	1 piece (SPQ 10) <sup>1)</sup>	Length mm	PU 10 pieces
HP					
28	146.82	34561-328	—	144.20	24560-828
42	217.94	34561-342	—	210.40	24560-842
63	324.62	34561-363	—	316.88	24560-863
84	431.30	34561-384	34561-484	428.64	24560-884



Accessories					
Grub screw M2.5 x 8, PU 100 pieces	21100-276	—	—	—	—
Grub screw M3 x 8, PU 100 pieces	—	21100-646	—	—	—

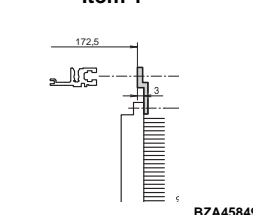
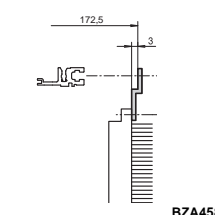
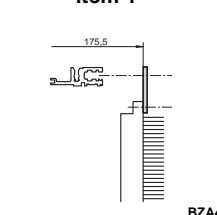
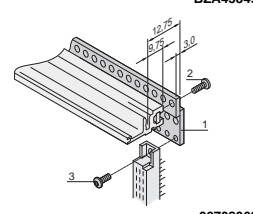
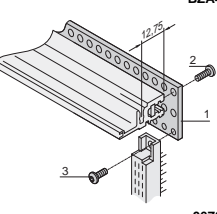
1) SPQ (standard pack quantity): Order number includes 1 piece, but delivery is exclusively made in standard pack quantity (SPQ); please order at least the SPQ quantity or a multiple thereof

2) Part no. includes one packing unit (PU); delivery is exclusively made in PU

# Desk-top cases - *compacPRO*

Z-rails, perforated rails


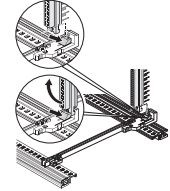
## Order Information

		Z-rail for connectors		Perforated rail
		DIN EN 60603-2, DIN 41612 item 1	31-pin, DIN 41617	EN 606032, DIN 41612 item 1
				
				
		for connector mounting on ST horizontal rails, please order threaded insert and screw separately	for connector mounting on ST horizontal rails, please order threaded insert and screw separately	for connector mounting on VT horizontal rails, please order threaded insert and screw separately
<b>Usable length</b>	<b>Length</b>	<b>1 piece</b>	<b>1 piece</b>	<b>PU 4 pieces</b>
<b>HP</b>	<b>mm</b>			
28	142.24	30822-033	—	20822-049
42	213.36	30822-047	—	20822-050
60	304.80	30822-065	30819-783	20822-047
84	426.70	30822-089	30819-808	20822-048
Item 3, Torx panhead screw to fix connector to perforated rail,, M2.5 x 7, PU 100 pieces		24560-147	24560-147	24560-147
Item 2, Torx panhead screw, to fix perforated rails to horizontal rail, M2.5 x 10, PU 100 pieces		24560-148	24560-148	24560-148

## Desk-top cases - *compacPRO*

Guide rails for plug-in units and modules, one-piece,  
groove width 2 mm and 2.5 mm

### Order Information

	For plug-in units and frame type plug-in units	
Assembly	standard	standard, with DIN connector fixing
- can be clipped into Al extruded horizontal rails - can be clipped into 1.5 mm thick plates  <b>Storage temperature</b> from -40 °C ... 130 °C	 <p style="font-size: small;">up to 220 mm length, PBT, UL 94 V-0; from 280 mm length, multi-piece, end piece PBT, UL 94 V-0, central section Al extrusion</p> <p style="font-size: x-small;">06102001</p>	 <p style="font-size: small;">PBT, UL 94 V-0, red, connector is clipped directly onto the guide rails; for euroboards, 100 x 160 mm or 100 x 220 mm only</p> <p style="font-size: x-small;">06101501</p>
Board length	Groove width	Colour
mm	mm	mm
	<b>PU 10 pieces</b>	<b>1 pair (SPQ 10)<sup>1)</sup></b>
70	2	red
70	2	grey
160	2	red
220	2	red
280	2	red
340	2	red
160	2.5	red
220	2.5	red
Dimension drawings see page		
	6.40	6.40

### Accessories

Retention screw, PU 100 pieces 	24560-141	24560-141
ESD clip, PU 50 pieces	24560-255	24560-255

1) SPQ (standard pack quantity): Order number includes 1 piece, but delivery is exclusively made in standard pack quantity (SPQ); please order at least the SPQ quantity or a multiple thereof


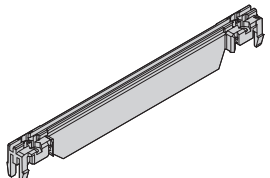
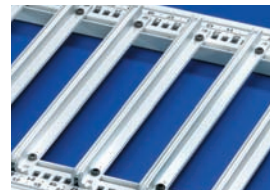
2) Part no. includes one packing unit (PU); delivery is exclusively made in PU

**Description of accessories see from page 6.41**

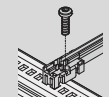
## Desk-top cases - *compacPRO*

Guide rails type "accessory", one-piece,  
groove width 2 mm and 2.5 mm

### Order Information

<b>Assembly</b> - can be clipped into horizontal rails in Al extrusion - can be clipped into 1.5 mm thick plate  <b>Storage temperature</b> from -40 °C ... +130 °C			<b>accessory</b>   <small>06102002</small> up to 280 mm length, PBT, UL 94 V-0; > 280 mm length, multi-piece, end piece PBT, UL 94V-0, middle section Al extrusion	<b>Guide rails type accessory, strengthened</b>   <small>06102005</small> PBT UL 94 V?0, red support beam of guide rails adds to strengthening	<b>for heavy modules, Al extrusion, silver, robust version</b>   <small>06102005</small> Al extrusion; is screwed to horizontal rail "heavy" with retention screws
<b>Board length</b>	<b>Groove width</b>	<b>Colour</b>	<b>PU 10 pieces</b>	<b>1 piece (SPQ 50)</b>	<b>1 piece (SPQ 10)<sup>1)</sup></b>
mm	mm	mm			
100	2	red	-	-	-
160	2	red	24560-373	64560-076	-
160	2	grey	-	-	34562-881
220	2	red	24560-374	64560-078	-
220	2	grey	-	-	34562-882
280	2	red/silver	24560-375	64560-080	34562-883
340	2	red/silver	24560-376	-	34562-884
400	2	red/silver	-	-	34562-885
160	2.5	silver	-	-	34564-881
220	2.5	silver	-	-	34564-882
280	2.5	silver	-	-	34564-883
340	2.5	silver	-	-	34564-884
400	2.5	silver	-	-	34564-885
Dimension drawings see page			6.40	6.40	6.40

### Accessories

Retention screw, PU 100 pieces 	24560-141	24560-141	24560-157
ESD clip, PU 50 pieces	24560-255	24560-255	-
Board locking, red, PU 10 pieces	24560-377	24560-377	-
Board handle, red, PU 10 piecesdescription	24560-378	24560-378	-
Identification strips for board handle, red, PU 1 sheet = 438 pieces	60817-228	60817-228	-
Coding see page	see page 6.41		-

1) SPQ (standard pack quantity): Order number includes 1 piece, but delivery is exclusively made in standard pack quantity (SPQ); please order at least the SPQ quantity or a multiple thereof

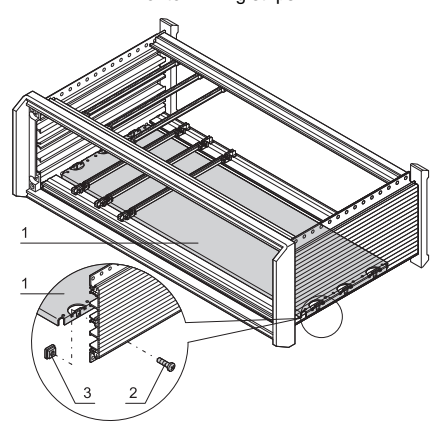
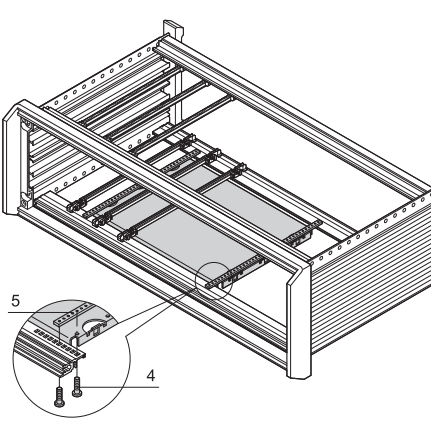
2) Part no. includes one packing unit (PU); delivery is exclusively made in PU

Further guide rails see page 6.35

# Desk-top cases - *compacPRO*

## Mounting plates

### Order Information

			<b>Mounting plate for fixing of heavy components</b>	
			<p>Mounting plate over <b>full width</b>: mounting is onto the side panels; mounting plate over <b>partial width</b>: mounting is onto one side panel and fixing strip or onto 2 fixing strips</p>  <p style="text-align: right; font-size: small;">06102501</p>	<p><b>Assembly strip for partial widths</b></p>  <p style="text-align: right; font-size: small;">05806100</p>
			<p>Al, 1.5 mm; for mounting over partial width, please order assembly strips separately</p>	<p>St, 2 mm, zinc-plated; is bolted from front to rear onto the horizontal rails; to fix mounting plates</p>
Width W HP	W	Board length mm		
28	146.88	160	34562-745	30840-021
28	146.88	220	34562-749	30840-033
28	146.88	280	34562-753	30840-045
28	146.88	340	34562-757	30840-057
42	217.99	160	34562-746	30840-021
42	217.99	220	34562-750	30840-033
42	217.99	280	34562-754	30840-045
42	217.99	340	34562-758	30840-057
63	324.67	160	34562-747	30840-021
63	324.67	220	34562-751	30840-033
63	324.67	280	34562-755	30840-045
63	324.67	340	34562-759	30840-057
84	431.35	160	34562-748	30840-021
84	431.35	220	34562-752	30840-033
84	431.35	280	34562-756	30840-045
84	431.35	340	34562-760	30840-057
<b>Assembly kit for mounting plate</b> PU 1 kit (Torx countersunk screw M4 x 5, St, zinc-plated, 12 pieces; screw M4 x 6, St, zinc-plated, 10 pieces; M4 square nut, St, zinc-plated, 10 pieces)			24560-184	-
<b>Assembly kit for assembly strips of mounting plate,</b> Torx screw M2.5 x 5, St, zinc-plated, PU 100 pieces M2.5 x 5, St, zinc-plated, PU 100 pieces			-	24560-146

#### Note

- For installation and assembly of heavier components
- The mounting plate is as wide as the case and is fixed to the side panels
- A guide rail can be mounted on the first and last slot positions
- 4.4" and "strengthened" guide rails cannot be used

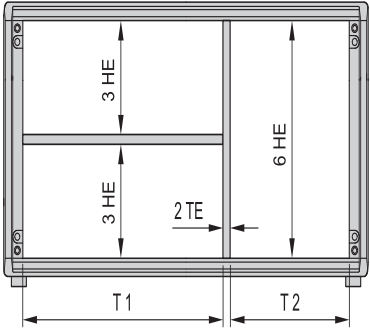
Part number in bold face type: ready for despatch within 2 working days  
Part number in normal type: ready for despatch within 10 working days



# Desk-top cases - *compacPRO*

Combined mountings (6 U and 2 x 3 U one above the other)

## Order Information

 Width pitch T1:T2 HP	Combined mounting: horizontal and vertical subdivision (incl. front panel for stainless steel EMC gasket)	unshielded front panel, 6 U, 2 HP item 6	front panel for textile EMC gasket, 6 U, 2 HP item 6	Splitting extrusion for combined mounting Item 2
	item 1: 2 front horizontal rails (H-KD), Al extrusion, anodised; item 2: 2 rear horizontal rails (AB), Al extrusion, anodised; item 3: threaded insert, St, zinc-plated; item 4: Zn die-cast support member; item 6: front panel 2 HP, 6 U, shielded; with EMC stainless steel gasket (84:0 without items 4, 6)	Al, 2.5 mm, front anodised, rear iridescent green chromated	Al, 2.5 mm, U-profile with notch, 6 U, 2 HP	6 U, die-cast zinc; splitting extrusion is inserted in the grid holes of the horizontal rail; the splitting extrusion can be bolted
	<b>PU 1 kit</b>	<b>1 piece (SPQ 5)</b>	<b>1 piece (SPQ 5)<sup>1)</sup></b>	<b>1 piece</b>
20:62	24562-420			
40:42	24562-440			
42:40	24562-442	30847-472	30849-140	64560-010
63:19	24562-463			
84:0	24562-484			
Torx countersunk screw M4 x 14, zinc-plated, PU 100 pieces fixing splitting extrusion/horizontal rail	–	–	–	24560-145
Panhead screw M2.5 x 10, St, zinc-plated, PU 100 pieces fixing horizontal rail/splitting extrusion	–	–	–	24560-179
Pozidrive/slotted collar screw M2.5 x 12.3, St, nickel-plated, PU 100 pieces	–	21101-101	21101-101	–
Pozidrive/slotted collar screw M2.5, black, zinc-plated, PU 100 pieces	–	21101-102	21101-102	–
Washer 2.7 x 5 x 1, plastic PA 6, PU 100 pieces	–	21101-121	21101-121	–
Textile gasket, core: foam, sleeve: textile cladding with CuNi coating, UL 94 V-0, PU 10 pieces	–	–	21101-855	–

- Subdivision of the 6 U assembly area into:
  - 2 x 3 U
  - 1 x 6 U
- Designed to accept Euroboards (100 mm high) and double Euroboards (233.35 mm high)

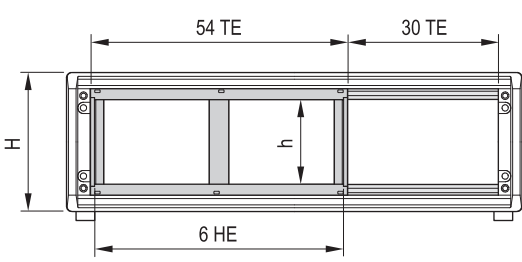
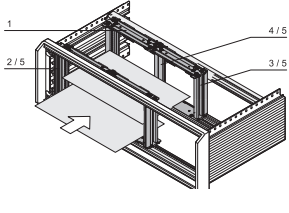
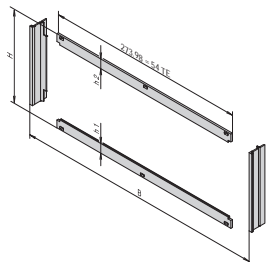
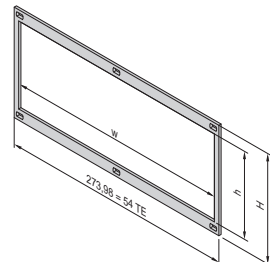
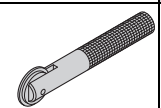
### Note

- Please order perforated strips for horizontal rails separately, see page 5.90
- Please order rear centre horizontal rail separately, see page 5.89

# Desk-top cases - *compacPRO*

## Horizontal board installation

### Order Information

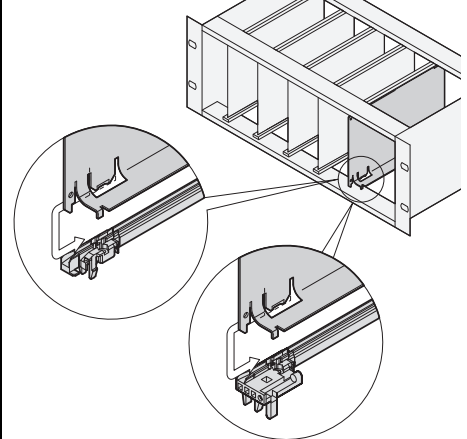
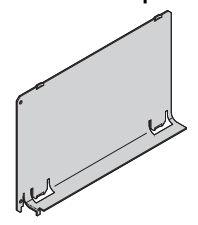
 05806092		Horizontal board installation			
		Board cage  05806091	Front frame for EMC shielding  bps45913	Front frame, unshielded  bzs43061	
H = usable height (1 TE = 1 HP, 1 HE = 1 U)	Usable height h	Other dimensions and options	PU 1 kit	PU 1 kit	1 piece
Height U	Usable height h HP	Horizontal rail, front Horizontal rail, rear			
3	20		24564-117	24564-109	34564-108
3	20		24564-118	24564-109	34564-109
4	28		24564-217	24564-209	34564-208
Assembly tool, for mounting the EMC gasket (stainless steel) 			-	24560-270	-

\* For direct backplane mounting

# Desk-top cases - *compacPRO*

## Air baffle for slots

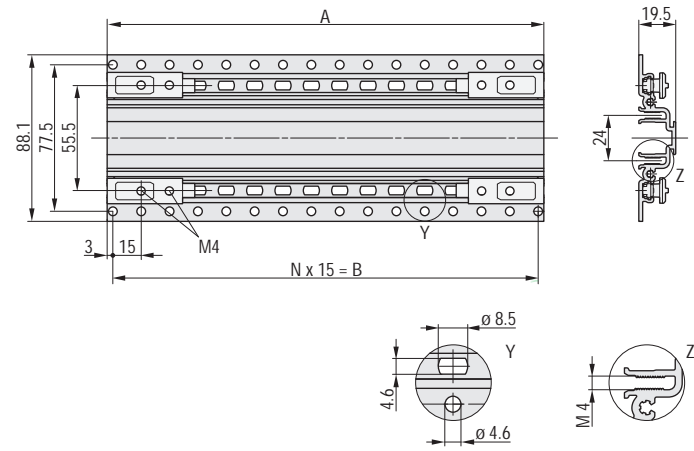
### Order Information

			<p style="text-align: center;"><b>Air baffle without front panel</b></p>  <p style="text-align: center;">Al, 1 mm, incl. assembly kit; prevents an air short circuit in unoccupied slot positions; is pushed into the groove of the guide rails</p>	
Depth mm	Width HP	Height U	<b>1 piece</b>	
160	4	3	<b>34562-823</b>	
160	4	6	34562-826	
160	8	3	<b>34562-833</b>	
160	8	6	34562-836	
160	12	3	<b>34562-843</b>	
160	12	6	34562-846	
220	4	3	<b>34562-824</b>	
220	4	6	34562-827	
220	8	3	<b>34562-834</b>	
220	8	6	34562-837	
220	12	3	<b>34562-844</b>	
220	12	6	34562-847	

# Desk-top cases - *compacPRO*

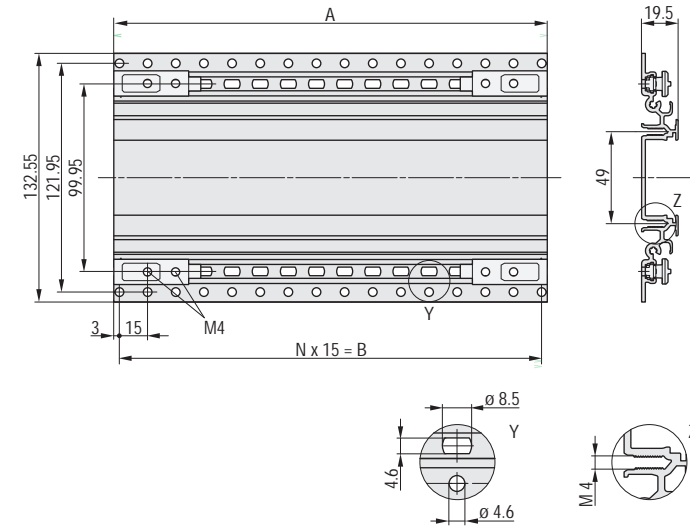
## Dimensions

Extruded side panel 2 U



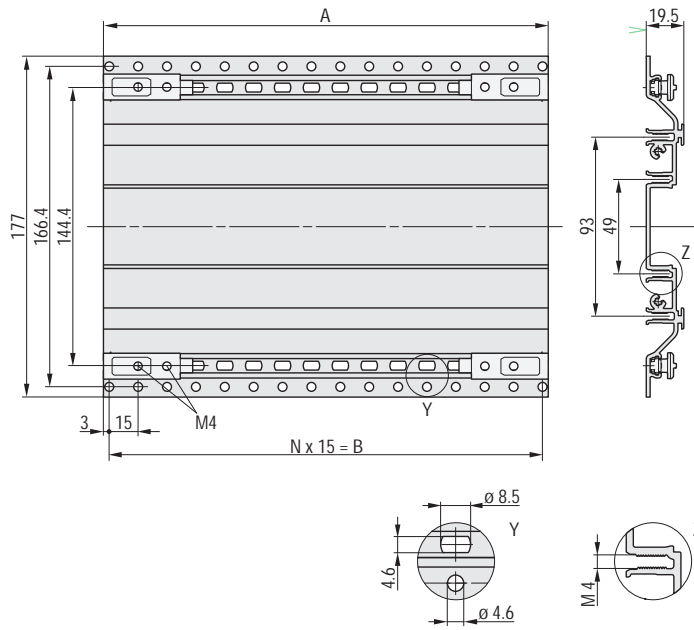
02004057

Extruded side panel 3 U



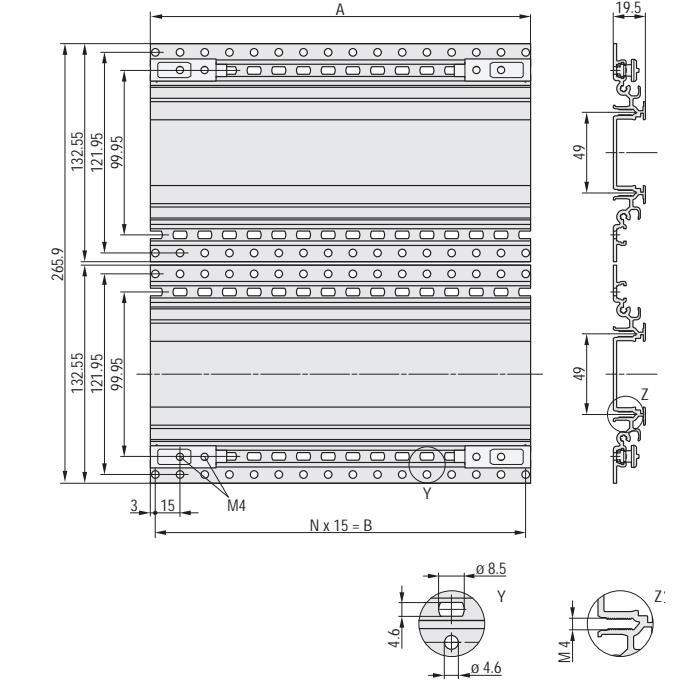
02004058

Extruded side panel 4 U



02004059

Extruded side panel 6 U



02004060

## Dimensions

mm	For case depth	Max. mounting depth	Dimensions	
			A in mm	B in mm
271		250	231	15 15 = 225
331		310	291	19 15 = 285
391		370	351	23 15 = 345
451		430	411	27 15 = 405
511		490	471	31 15 = 465

### Note

Side panel for 6 U case consists of two 3 U extruded side panels

Desk-top cases - **compacPRO**

Overview ..... 0

Cabinets ..... 1

Wall mounted cases ..... 2

Accessories for cabinets and wall mounted cases 3

Climate control 4

**Desk-top cases 5**

Subracks/  
19" chassis ... 6

Front panels,  
plug-in units .. 7

Systems ..... 8

Power supply  
units ..... 9

Backplanes .. 10

Connectors, front  
panel component  
system ..... 11

Appendix .... 12

## Desk-top cases - *comptec*



02202003

### Standards

- Internal dimensions in accordance with IEC 60297-3-100
- Type of protection IP 20 in accordance with IEC 60529
- Protective ground connections in accordance with:  
DIN EN 50178/VDE 0160  
DIN EN 60950/VDE 0805  
DIN EN 61010-1/VDE 0411 part 1  
DIN EN 61010-1A2/VDE 0411 part 1/A1



Downloads and further important information can be found on the Internet under [www.schroff.biz](http://www.schroff.biz)

Main Catalogue  
E 10/2012

5.100

**Case to accept 19" subracks or 19" chassis**

- Internal assemblies of up to 40 kg
- Up to six rows of ventilation slots in the base plate for optimal air inlet
- High stability
- Front and rear identical, depth-symmetrical construction
- With handle strip or recessed grip



02202004

**Case**

- Al die-cast frame front and rear
- Top cover and base plate can be subsequently removed
- Top cover and base plate fitted with hidden GND/earth connections
- Case height 3, 4, 6, 7 and 9 U (cladding parts in steel)
- Case height 9 U and 12 U (cladding parts in aluminium)



02202005

**comptec**

- 3, 4 U, St . . . . . 5.102
- 6, 7, 9 U, St . . . . . 5.103
- 9, 12 U, Al . . . . . 5.104

**Accessories**

- Folding handle 5.105
- Slide rails . . . . . 5.105
- Earthing kit . . . . . 5.106
- Assembly kit . . . . . 5.106
- Tip-up feet . . . . . 5.107



30407004

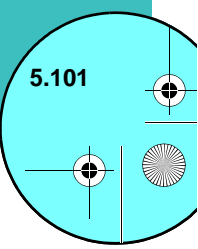
**ServicePLUS from page 5.4**

- e.g. modifications (cut-outs, special colours)
- e.g. custom solutions (special sizes)

e.g. assembly service from 1 piece

[www.schroff.biz/ServicePLUS](http://www.schroff.biz/ServicePLUS)

ServicePLUS . . 5.4



5.101

# Desk-top cases - *comptec*

19" case, 3 U, 4 U



- Desk-top case (pre-fitted)
- Top cover, base plate and rear panel in steel
- Front and rear frames in die-cast Al
- Ventilation slits in base plate
- Ventilation gills in rear panel
- Side panel with integral handle function

### Delivery comprises (kit)

Item	Qty	Description
1	1	Front frame, Al die-cast, RAL 7016, with 19" grid
2	1	Rear frame, Al die-cast, RAL 7016, with 19" grid
5	2	Side panel, Al extrusion, RAL 7016
7	1	Cover plate, Al, 1 mm, RAL 9006, with GND/earthing tag
8	1	Base plate, Al, 1 mm, RAL 9006, with GND/earthing tag
9	1	Rear panel, St, 1 mm, RAL 9006, with GND/earthing tag
10	4	Case foot with anti-slip protection, PC, black, UL 94 V-0
11	1	Assembly kit


Items 1, 2, 5 and 9 fitted.

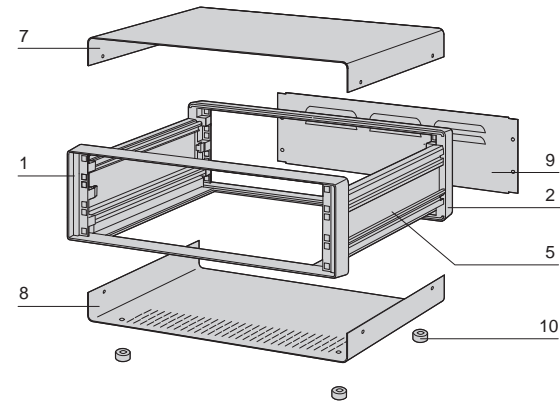
### Order Information

Height H	h	Depth D	Usable depth d	Width B	Part no.	
3	153	13.0	300	276	520	10225-601
3	153	13.0	400	376	520	10225-612
3	153	13.0	500	476	520	10225-623
4	198	13.0	300	276	520	10225-602
4	198	13.0	400	376	520	10225-613
4	198	13.0	500	476	520	10225-624

### Note

- Please order GND/earthing kit separately, see page 5.106
- The case foot, item 10, can be replaced by a tip-up foot, see page. 5.107
- Please order slide rails separately, see page 5.105

 For further information [www.schroff.biz/oneclick](http://www.schroff.biz/oneclick)  
oneClick search code = Part no.



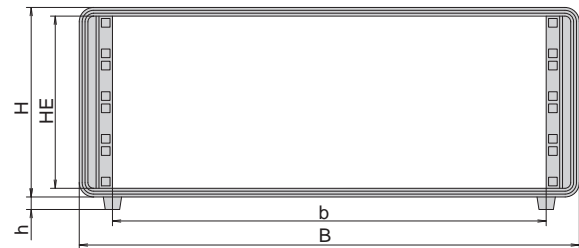
02202001

CTTP0001

CTA30677

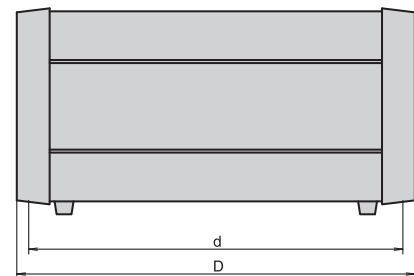
CTA42313

Front view



h = case foot height, HE = U, internal usable height

Side view



Usable width  $b = B - 69$  mm, h = height of case foot



ServicePLUS see page 5.4

5.102 Main Catalogue  
E 10/2012

Part number in bold face type: ready for despatch within 2 working days  
Part number in normal type: ready for despatch within 10 working days



# Desk-top cases - *comptec*

19" case, 6 U, 7 U, 9U



- Desk-top case (pre-fitted)
- With handle shell
- Top cover, base plate and rear panel in steel
- Front and rear frames in die-cast Al
- Ventilation slits in rear panel and base

### Delivery comprises (kit)

Item	Qty	Description
1	1	Front frame, Al die-cast, RAL 7016, with 19" grid
2	1	Rear frame, Al die-cast, RAL 7016, with 19" grid
3	2	Side profile at top, Al extrusion, RAL 7016
4	2	Side profile at bottom, Al extrusion, RAL 7016
5	2	Side panel, St, 1.5 mm, RAL 9006, with GND/earthing tag
6	2	Handle shell, PC, RAL 7016, UL 94 V-0, load-carrying capacity: 60 kg/pair
7	1	Cover plate, St, 1 mm, RAL 9006, with GND/earthing tag
8	1	Base plate, St, 1 mm, RAL 9006, with GND/earthing tag
9	1	Rear panel, St, 1 mm, RAL 9006, with GND/earthing tag
10	4	Case foot with anti-slip protection, PC, black, UL 94 V-0
11	1	Assembly kit

Items 1, 2, 3, 4, 5, 6 and 9 fitted.

### Order Information

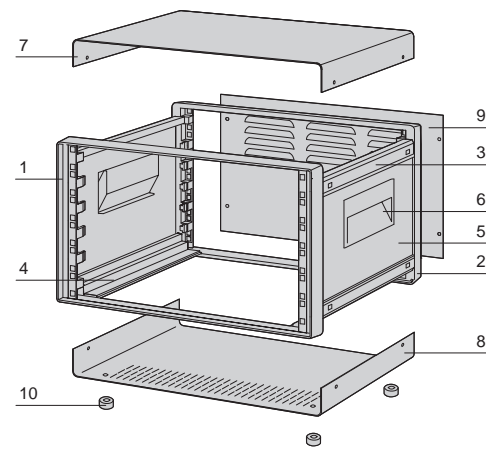
Height H	h	Depth D	Usable depth d	Width B	Part no.	
U	mm	mm	mm	mm		
6	286	13	300	276	520	10225-604
6	286	13	400	376	520	10225-615
6	286	13	500	476	520	10225-626
6	286	13	600	576	520	10225-637
7	331	13	400	376	520	10225-616
7	331	13	500	476	520	10225-627
7	331	13	600	576	520	10225-638
9	420	13	400	376	520	10225-618
9	420	13	500	476	520	10225-629
9	420	13	600	576	520	10225-640

### Note

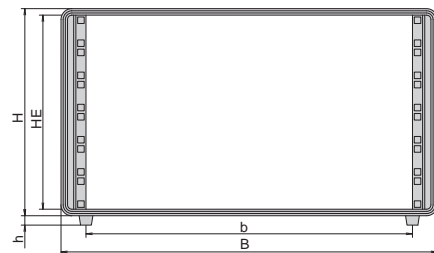
- Please order GND/earthing kit separately, see page 5.106
- The case foot, item 10, can be replaced by a tip-up foot, see page 5.107
- Please order slide rails separately, see page 5.105
- Handle shell, item 6, can be replaced by a folding handle, see page 5.105



For further information [www.schroff.biz/oneclick](http://www.schroff.biz/oneclick)  
oneClick search code = Part no.

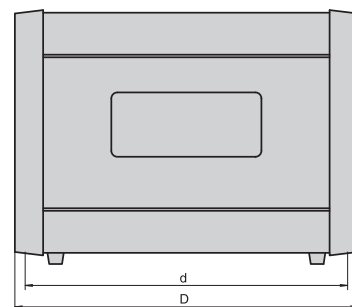


Front view



h = case foot height, HE = U, internal usable height

Side view



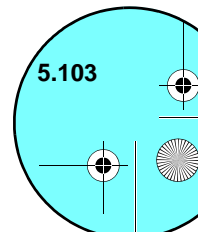
Usable depth d = D - 24 mm



ServicePLUS see page 5.4

Main Catalogue  
E 10/2012

Part number in bold face type: ready for despatch within 2 working days  
Part number in normal type: ready for despatch within 10 working days



# Desk-top cases - *comptec*

19" cases 9 and 12 U, aluminium

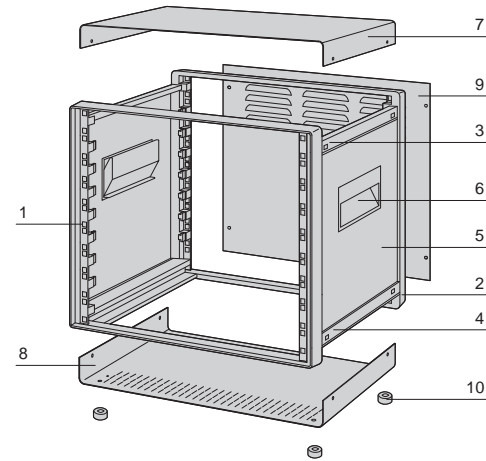


- Desk-top case (pre-fitted)
- With handle shell
- Top cover, base plate and rear panel in Al
- Front and rear frames in die-cast Al
- Ventilation slots in base plate
- Air vents in rear panel

### Delivery comprises (kit)

Item	Qty	Description
1	1	Front frame, Al die-cast, RAL 7016, with 19" grid
2	1	Rear frame, Al die-cast, RAL 7016, with 19" grid
3	2	Side profile at top, Al extrusion, RAL 7016
4	2	Side profile at bottom, Al extrusion, RAL 7016
5	2	Side panel, Al, 1.5 mm, RAL 9006, with GND/earthing tag
6	2	Handle shell, PC, RAL 7016, UL 94 V-0, load-carrying capacity: 60 kg/pair
7	1	Cover plate, Al, 1 mm, RAL 9006, with GND/earthing tag
8	1	Base plate, Al, 1 mm, RAL 9006, with GND/earthing tag
9	1	Rear panel, Al, 1 mm, RAL 9006, with GND/earthing tag
10	4	Case foot with anti-slip protection, PC, black, UL 94 V-0
11	1	Assembly kit

Items 1, 2, 3, 4, 5, 6 and 9 fitted.




### Order Information

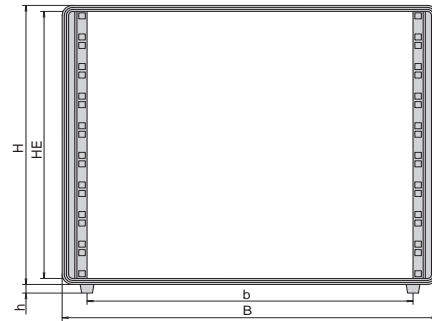
Height H	h	Depth D	Usable depth d	Width B	Part no.	
U	mm	mm	mm	mm		
9	420	13	400	376	520	10225-667
9	420	13	500	476	520	10225-682
9	420	13	600	576	520	10225-693
12	553	13	400	376	520	10225-670
12	553	13	500	476	520	10225-685
12	553	13	600	576	520	10225-696

### Note

- Please order GND/earthing kit separately, see page 5.106
- The case foot, item 10, can be replaced by a tip-up foot, see page 5.107
- Please order slide rails separately, see page 5.105
- Handle shell, item 6, can be replaced by a folding handle, see page 5.105

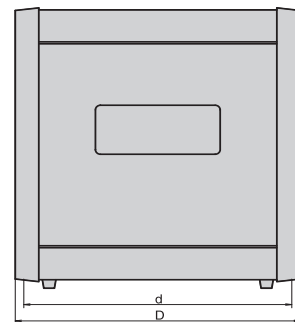
 For further information [www.schroff.biz/oneclick](http://www.schroff.biz/oneclick)  
oneClick search code = Part no.

Front view



Usable width  $b = B - 69$  mm,  $h =$  height of case foot

Side view



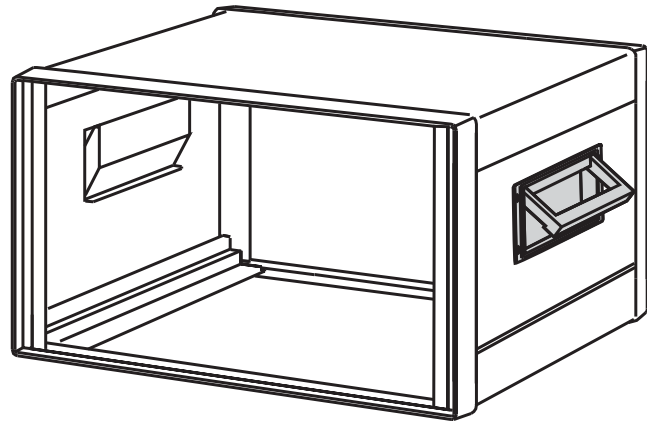
Usable depth  $d = D - 24$  mm



ServicePLUS see page 5.4

## Desk-top cases - *comptec*

### Folding handle



CITP0006

- Folding handles can be used instead of the pre-fitted handle shells
- Load-carrying capacity: 50 kg/pair

#### Delivery comprises (kit)

Item	Qty	Description
1	2	Folding handle, Al die-cast, RAL 7016
2	1	Assembly kit

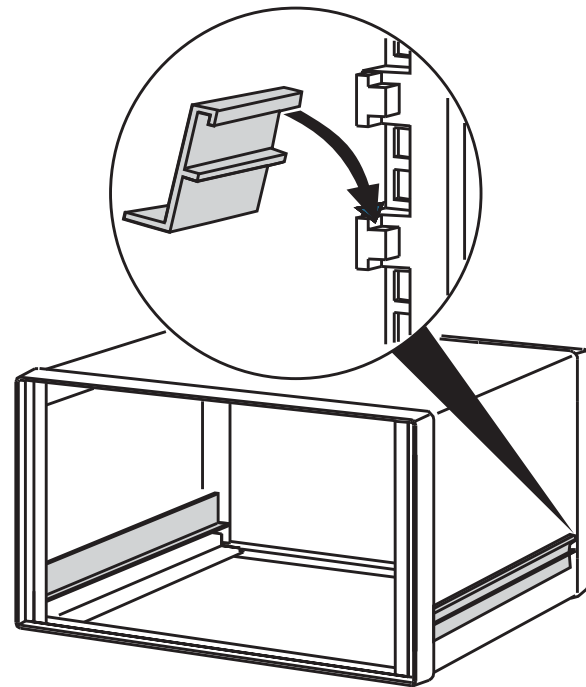
#### Order Information

Description	Part no.
Folding handle	20225-439



For further information [www.schroff.biz/oneclick](http://www.schroff.biz/oneclick)  
oneClick search code = Part no.

### Slide rails



CITP0005

- Slide rails are suitable as support for 19" subracks and 19" chassis

#### Delivery comprises

Item	Qty	Description
1	1	Slide rail, Al extrusion, anodised, cut edges plain, static load-carrying capacity 10 kg

#### Order Information

For case depth	Part no.
mm	
300	30225-089
400	30225-090
500	30225-091
600	30225-092

#### Note

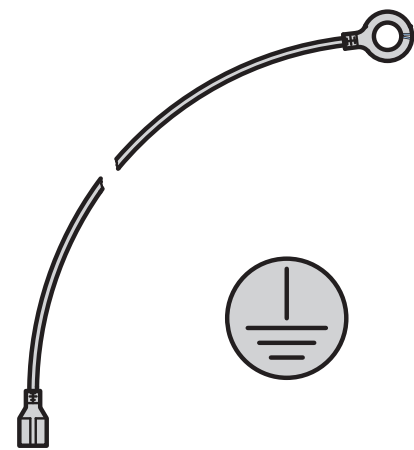
- 2 slide rails are required per subrack or 19" chassis
- Slide rail cannot be used for shielded 19" subracks; special slide rails available on request



For further information [www.schroff.biz/oneclick](http://www.schroff.biz/oneclick)  
oneClick search code = Part no.

## Desk-top cases - *comptec*

### GND/earthing kit



- The GND/earthing kit allows VDE compliant earthing of cases in accordance with:  
EN 50178/VDE 0160  
EN 60950/VDE 0805  
EN 61010-1/VDE 0411 part 1  
EN 61010-1A2/VDE 0411 part 1/A
- VDE tested

#### Delivery comprises (kit)

Item	Qty	Description
1	1	GND/earthing kit, Cu wire, 1.5 mm <sup>2</sup> , PVC sheathing, green/yellow, connects side panels, cover, base plate and rear panel

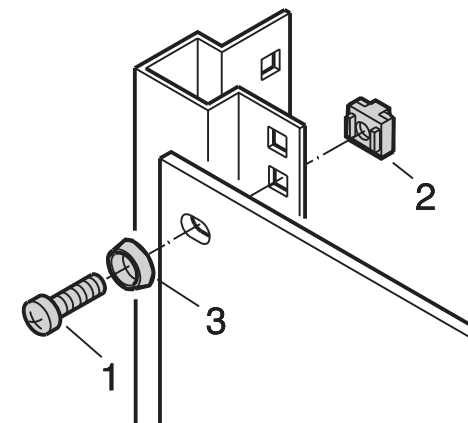
#### Order Information

Description	Up to 4 U	bigger than 4 U
	Part no.	Part no.
GND/earthing kit for cases with steel covers	21100-490	21100-448
GND/earthing kit for cases with aluminium covers	-	21100-347



For further information [www.schroff.biz/oneclick](http://www.schroff.biz/oneclick)  
oneClick search code = Part no.

### 19" fixing



- For fitting subracks or 19" chassis in a comptec case
- For fixing 19" front panels

#### Delivery comprises

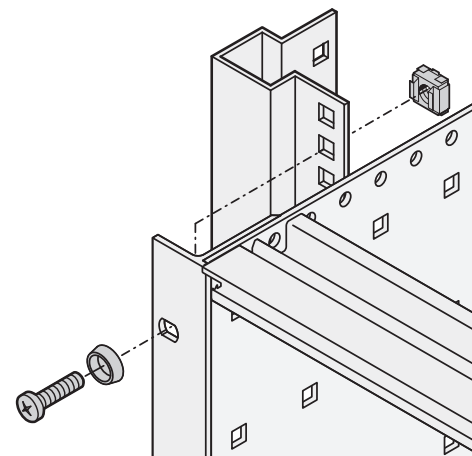
Item	Description
1	Screw M6 x 16, zinc-plated with Pozidrive
2	Cage nut M6, zinc-plated
3	Plastic washer, ABS, black

#### Order Information

Description	Part no.
PU = 8 x screw, washer, nut	21100-435
PU = 50 each of M6 screw, washer and cage nut	21101-809
PU = 100 each of M6 screw, washer and cage nut	21101-810



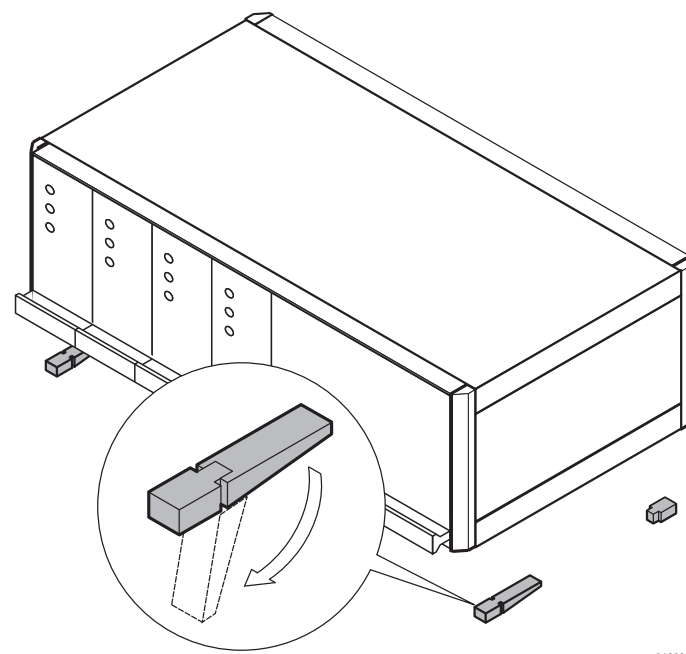
For further information [www.schroff.biz/oneclick](http://www.schroff.biz/oneclick)  
oneClick search code = Part no.



06108055

## Desk-top cases - *comptec*

### Plastic tip-up feet



- Static load-carrying capacity 25 kg per foot
- Tip-up feet can be used instead of the case feet fitted as standard
- Fixing holes provided in bottom of case

#### Delivery comprises (kit)

Item	Qty	Description
1	4	Foot, PA, UL 94 V-0
2	4	Anti-slip protection, TPE
3	2	Tip-up device, PA, UL 94 V-0
4	1	Assembly kit

#### Order Information

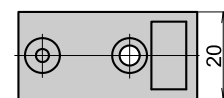
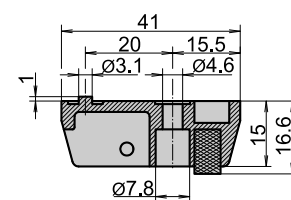
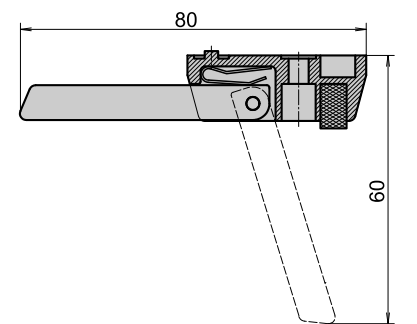
Description	RAL 7016	RAL 9006
	anthracite	silver
	Part no.	Part no.
Plastic tip-up foot	20603-002	20603-001



For further information [www.schroff.biz/oneclick](http://www.schroff.biz/oneclick)  
oneClick search code = Part no.

01802075

### Tip-up foot in die-cast Al



- Static load-carrying capacity 50 kg per foot
- Tip-up feet can be used instead of the case feet fitted as standard
- Fixing holes provided in bottom of case

#### Order Information

Description	Qty	Part no.
Foot with tip-up, Al die-cast, silver	1 piece (SPQ 10) <sup>1)</sup>	10603-002
Foot without tip-up, Al die-cast, silver	1 piece (SPQ 10) <sup>1)</sup>	10603-001
<b>Cheesehead screw with slot</b> M4 × 12, St, zinc-plated, PU 100 pieces		21101-211
<b>Hexagon nut</b> M4, St, zinc-plated, PU 100 pieces		21100-211
<b>Spring washer</b> A4, St, zinc-plated, PU 100 pieces		21100-207

1) Part no. comprises 1 piece;  
delivery is in standard pack quantity (SPQ):  
please order a minimum of 10 feet or a multiple

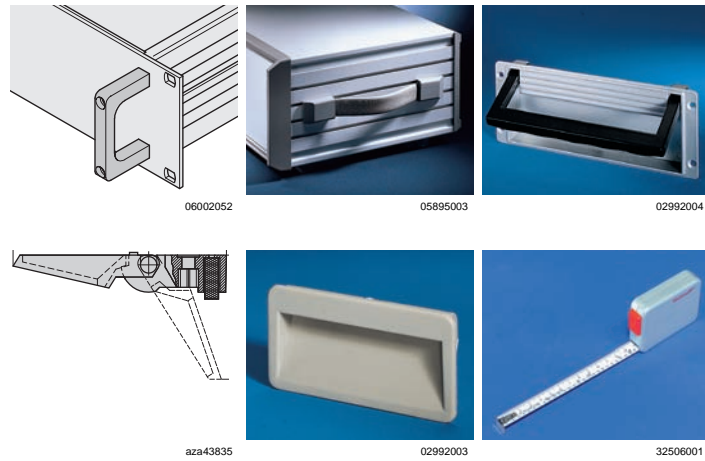


For further information [www.schroff.biz/oneclick](http://www.schroff.biz/oneclick)  
oneClick search code = Part no.

AZA43836

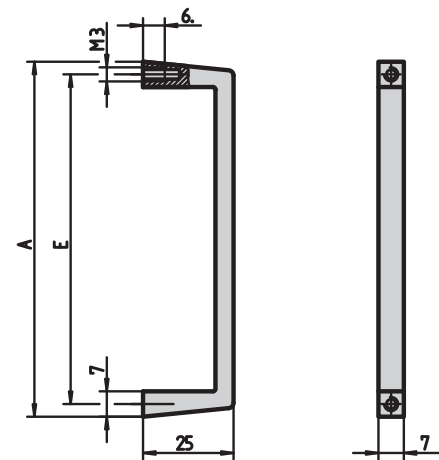
## Desk-top cases – Accessories

### Contents



- Front handles see page 5.108
- Strap handles see page 5.111
- Tip-up carrying handles, see page 5.112
- Folding handles see page 5.113
- Tray handle see page 5.114
- Feet, see page 5.115
- Screwdriver (Torx) 5.117
- Measuring tape, see page 5.117

### Front handle, one-piece, width 7 mm



- Static load-carrying capacity 10 kg/pair
- Bolted from rear


#### Delivery comprises (kit)

Item	Qty	Description
1	1	Front handle, Al extrusion, anodised

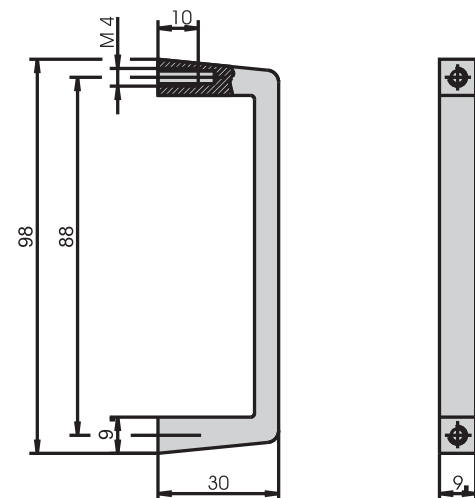
#### Order Information

A	E	Part no.
mm	mm	
48	40	10501-001
98	90	10501-002

Delivery is exclusively in Standard Pack Quantity (SPQ):  
Please order at least 10 pieces or a multiple.  
Pricing is per individual item.

 For further information [www.schroff.biz/oneclick](http://www.schroff.biz/oneclick)  
oneClick search code = Part no.

### Front handle, one-piece, width 9 mm



- Static load-carrying capacity 30 kg/pair
- Bolted from rear


#### Delivery comprises (kit)

Item	Qty	Description
1	1	Front handle, Al extrusion, anodised

#### Order Information

Description	Part no.
Front handle	10501-003
<b>Pozidrive countersunk screw 14 x 10, zinc-plated,</b> PU 100 pieces	21101-381

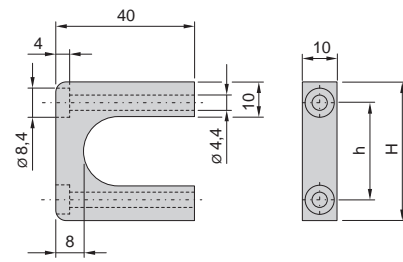
Delivery is exclusively in Standard Pack Quantity (SPQ):  
Please order at least 10 front handles or a multiple.  
Pricing is per individual item.

 For further information [www.schroff.biz/oneclick](http://www.schroff.biz/oneclick)  
oneClick search code = Part no.

Part number in bold face type: ready for despatch within 2 working days  
Part number in normal type: ready for despatch within 10 working days

## Desk-top cases – Accessories

### Front handle, one-piece, width 10 mm



H = 1 U

02905050

- Static load-carrying capacity 30 kg/pair
- Bolted from front

#### Delivery comprises (kit)

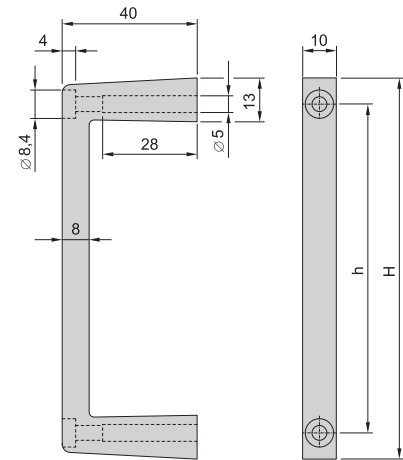
Item	Qty	Description
1	2	Front handle, Al extrusion, anodised
2	1	Assembly kit

#### Order Information

Height H U	Height H mm	Height h mm	Part no.
1	40	28	20860-256
2	69	53	20860-257
3	113	97.5	20860-258
4	157.45	141.9	20860-259
5	201.9	186.4	20860-260



For further information [www.schroff.biz/oneclick](http://www.schroff.biz/oneclick)  
oneClick search code = Part no.

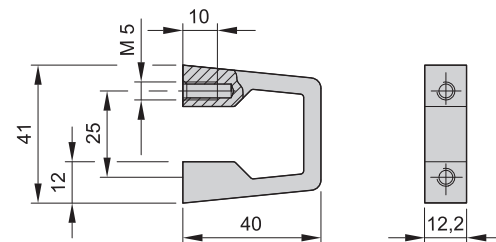


H ≥ 2 U

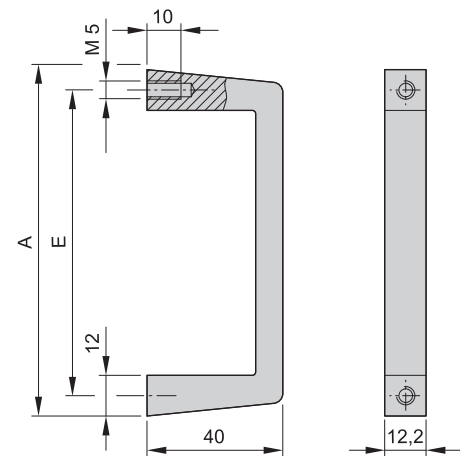
02905051

### Front handle, one-piece, width 12.2 mm

1 U



2 U ... 6 U



- Static load-carrying capacity 30 kg/pair
- Bolted from rear

#### Delivery comprises

Item	Qty	Description
1	1	Front handle, Al extrusion, anodised

#### Order Information

A mm	E mm	clear anodised Part no.	black anodised Part no.
41	25	10501-116	-
57.5	44.5	10501-016	-
69	55	10501-004	10501-025
102	88	10501-005	10501-026
132	120	10501-006	10501-027
146.4	133.4	10501-018	-
194	180	10501-007	10501-028
249	235	10501-008	10501-029

**Panhead pozidrive screw** self-locking, M5 × 12, zinc-plated, PU 100 pieces 21100-788

**Torx countersunk screw** M5 × 12, zinc-plated, 100 pieces 24560-183

Delivery is exclusively in Standard Pack Quantity (SPQ): Please order at least 10 front handles or a multiple. Pricing is per individual item.

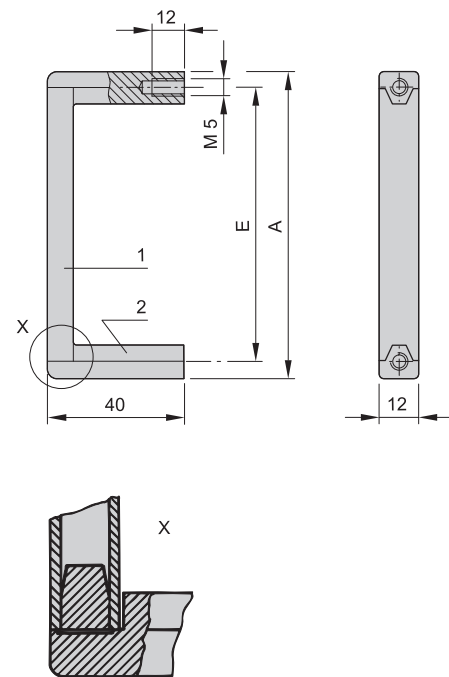
#### Note

- Please order panhead screws separately

BZA42327

## Desk-top cases – Accessories

### Front handle, multi-piece, width 12 mm



- Static load-carrying capacity 10 kg/pair
- In three parts, middle section in Al extrusion, end pieces in glass fibre reinforced plastic
- Bolts on from front

#### Delivery comprises (kit)

Item	Qty	Description
1	1	Front handle, Al extrusion, anodised
2	2	End piece, PA, black

#### Order Information

A	E	Part no.
mm	mm	
87.5	73.5	10502-050
102.0	88	10502-057
134.0	120	10502-059
194.0	180	10502-063
249	235	10502-065

**Panhead screw pozidrive** self-locking, M5 x 12, zinc-plated, PU 100 pieces 21100-788

Delivery is exclusively in Standard Pack Quantity (SPQ):  
Please order at least 10 front handles or a multiple.  
Pricing is per individual item.

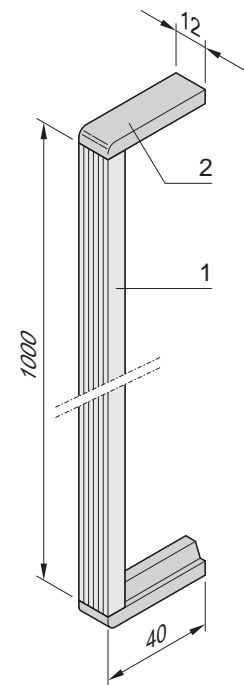
#### Note

- Please order panhead screws separately



For further information [www.schroff.biz/oneclick](http://www.schroff.biz/oneclick)  
oneClick search code = Part no.

### Front handle, multi-piece, width 12 mm



#### Order Information

Description	Qty/PU	Part no.
Item 1, front handle, Al extrusion, anodised, 1 m long	1	30502-051
Item 2, end piece, PA, black, 2 pieces each required	1	60502-003
<b>Panhead pozidrive screw</b> self-locking, M5 x 12, zinc-plated, PU 100 pieces		21100-788

Item 1: front handle; item 2: end piece

02908050



## Desk-top cases - Accessories

### Strap handle, width 25 mm



■ Static load-carrying capacity 20 kg

#### Delivery comprises (kit)

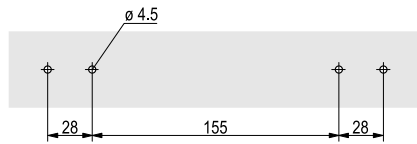
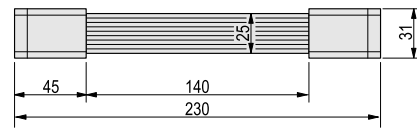
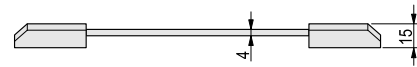
Item	Qty	Description
1	1	Band, spring steel, handle, flexible plastic, grey, RAL 7016
2	2	Cover, grey, RAL 7016
3	1	Assembly kit

#### Order Information

Length mm	Part no.
230	20850-249

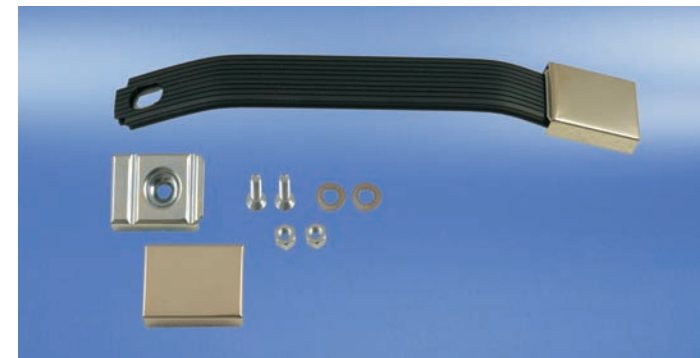


For further information [www.schroff.biz/oneclick](http://www.schroff.biz/oneclick)  
oneClick search code = Part no.



02902050

### Strap handle, width 22 mm



■ Static load-carrying capacity 20 kg

#### Delivery comprises (kit)

Item	Qty	Description
1	1	Band, spring steel, plastic-coated, black
2	2	Cover cap, St, chrome-plated
3	1	Assembly kit

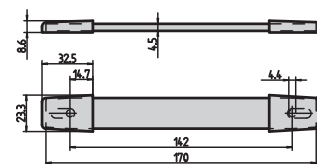
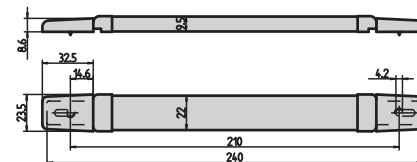
#### Order Information

Length mm	Part no.
170	10504-002
240	10504-003



For further information [www.schroff.biz/oneclick](http://www.schroff.biz/oneclick)  
oneClick search code = Part no.

Length 240 mm/170 mm



BZA42368

## Desk-top cases – Accessories

### Tip-up carrying handle in separate parts



- Static load-carrying capacity 25 kg (with handle bars of 450 mm length)

### Lateral handle parts




- Handle can be adjusted in 30° grid by pressing button

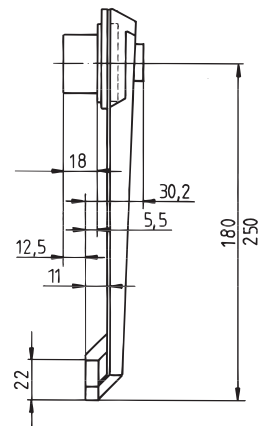
#### Delivery comprises (kit)

Item	Qty	Description
1	2	Lateral parts, die-cast zinc, painted (chrome decor)
2	2	Safety inserts, St, 1.5 mm, black
3	2	Adaptor/locking brackets
4	1	Assembly kit

#### Order Information

Length mm	Part no.
180	10502-297
250	10502-296

 For further information [www.schroff.biz/oneclick](http://www.schroff.biz/oneclick)  
oneClick search code = Part no.



A4-2361

### Handle bar




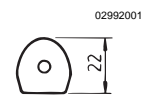
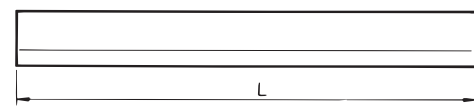
#### Delivery comprises (kit)

Item	Qty	Description
1	1	Handle bar, Al, black anodised

#### Order Information

Length mm	Part no.
1000	30502-191

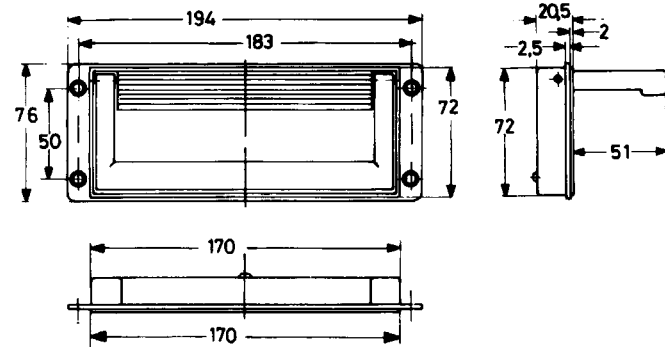
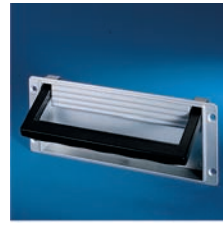
 For further information [www.schroff.biz/oneclick](http://www.schroff.biz/oneclick)  
oneClick search code = Part no.



A4-2367

## Desk-top cases – Accessories

### Folding metal handle



02992004

- Static load-carrying capacity 30 kg/pair
- For case ingress protection to IP 40
- Locks in folded and opened positions
- Equal cut-out for fitting in front of or behind case wall

#### Delivery comprises (kit)

Item	Qty	Description
1	1	Handle, Al die-cast, RAL 9005, black
2	1	Handle shell, Al die-cast, RAL 9006, silver

#### Order Information

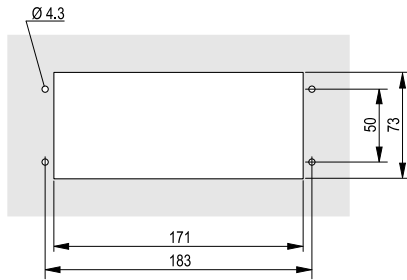
Description	Part no.
Folding metal handle	20505-032

Delivery is exclusively in Standard Pack Quantity (SPQ): Please order at least 10 pieces or a multiple. Pricing is per individual item.



For further information [www.schroff.biz/oneclick](http://www.schroff.biz/oneclick)  
oneClick search code = Part no.

A4-2369

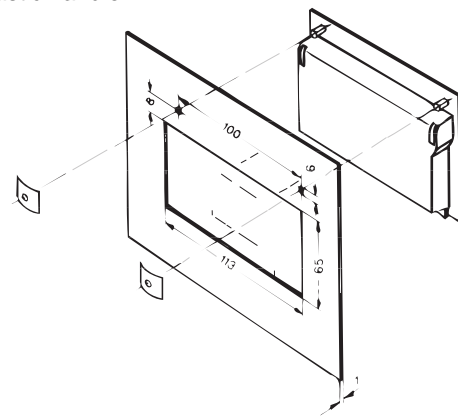


A4-2370

### Folding plastic handle



Folding plastic handle



02992005

- Static load-carrying capacity 20 kg/pair
- For case ingress protection to IP 40
- Locks in folded and opened positions
- External mounting only

#### Delivery comprises (kit)

Item	Qty	Description
1	1	Handle, PA, light grey
2	1	Handle shell, PA, dark grey
3	1	Assembly kit

#### Order Information

Description	Part no.
Folding plastic handle	10505-014

Delivery is exclusively in Standard Pack Quantity (SPQ): Please order at least 10 pieces or a multiple. Pricing is per individual item.



For further information [www.schroff.biz/oneclick](http://www.schroff.biz/oneclick)  
oneClick search code = Part no.

A2-123

## Desk-top cases – Accessories

### Tray handle



- Static load-carrying capacity 30 kg/pair

#### Delivery comprises

Item	Qty	Description
1	1	Handle shell, PC, UL 94 V-0

#### Order Information

Colour	Size 1 for material	Size 1 for material	Size 2 for material
	thickness 1.5 mm	thickness 2.5 mm	thickness 1.5 mm
	Part no.	Part no.	Part no.
grey-brown	60229-002	60229-001	60225-015
black	60229-004	60229-003	60225-012
RAL 7016	-	-	20225-167
Spring clip PU 20 pieces			21100-089
Spring clip PU 100 pieces			21100-093

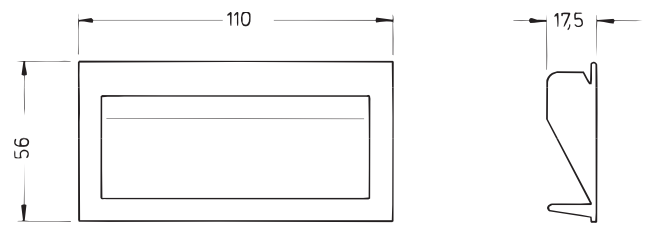
Delivery is exclusively in Standard Pack Quantity (SPQ):  
Please order a minimum of 10 tray handles or a multiple.  
Pricing is per individual item.

#### Note

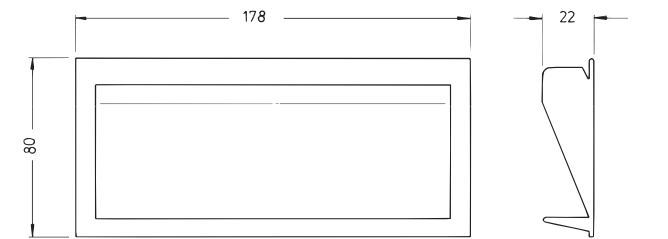
- Please order spring clips for fixing to the case separately

#### Required:


- for handle size 1: 2 spring clips
- for handle size 2: 3 spring clips



Size 1, case cut-out 49 x 104 mm

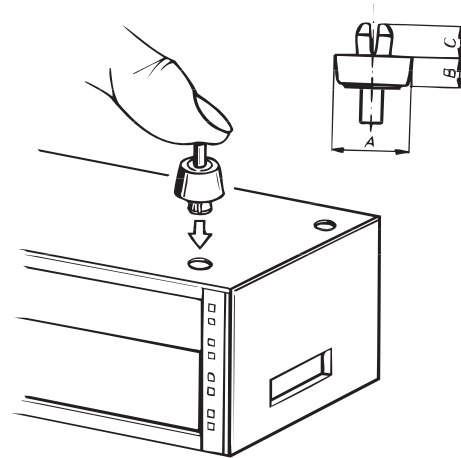


Size 2, case cut-out 73 x 171 mm

 For further information [www.schroff.biz/oneclick](http://www.schroff.biz/oneclick)  
oneClick search code = Part no.

## Desk-top cases – Accessories

### Plastic foot



#### Delivery comprises

Pos.	Menge	Beschreibung
1	1	Plastic foot, PC, UL 94 V-0, black

#### Order Information

Description	Dimensions			Hole diameter	Part no.
	A	B	C		
	mm	mm	mm	mm	
For material thickness 1 ... 3	16	7.2	4	7	60224-009
For material thickness 1.5 ... 3	21	15	7	7.7	60224-011

Delivery is exclusively in Standard Pack Quantity (SPQ): Please order at least 50 pieces or a multiple. Pricing is per individual item.

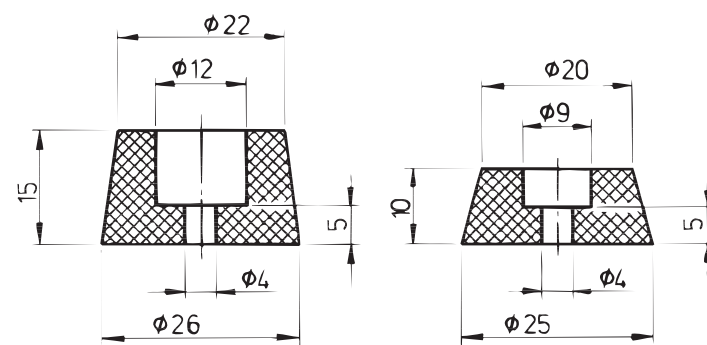
#### Note

- Foot is inserted into mounting hole and then fixed by pressing in the expanding pin



For further information [www.schroff.biz/oneclick](http://www.schroff.biz/oneclick)  
oneClick search code = Part no.

### Rubber foot



#### Order Information

Dimensions	Material	Colour	Qty	Part no.	
Height	Hole diameter				
mm	mm	mm			
10	25	Rubber	grey	1	60200-001
15	26	Rubber	grey	1	60200-027

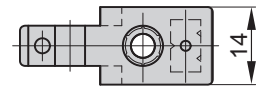
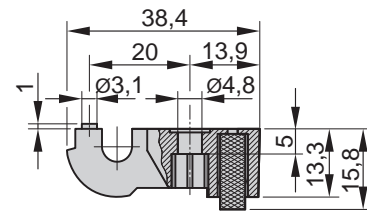
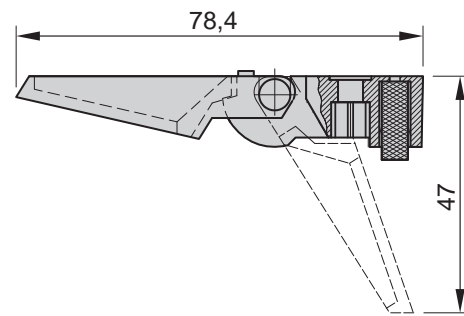
Delivery is exclusively in Standard Pack Quantity (SPQ): Please order at least 50 pieces or a multiple. Pricing is per individual item.



For further information [www.schroff.biz/oneclick](http://www.schroff.biz/oneclick)  
oneClick search code = Part no.

## Desk-top cases – Accessories

### Plastic tip-up foot



AZ443835

02912050

- Static load-carrying capacity 25 kg per foot
- Can be used instead of standard feet
- Fixing holes provided in bottom of case

#### Order Information

Description	Qty/PU	grey	black
		Part no.	Part no.
Foot with tip-up, PA, UL 94 HB	1	10603-023	10603-025
Foot without tip-up, PA, UL 94 HB	1	10603-024	10603-026
<b>Pozidrive flathead screw</b> M4 x 10, St, zinc-plated, PU 100 pieces			21100-513
<b>Hexagon nut</b> M4, St, zinc-plated, PU 100 pieces			21100-211
<b>Spring washer</b> A4, St, zinc-plated, PU 100 pieces			21100-207

Delivery is exclusively in Standard Pack Quantity (SPQ):  
Please order a minimum of 10 feet or a multiple.  
Pricing is per individual item.

#### Note

- Please order assembly kit separately.



For further information [www.schroff.biz/oneclick](http://www.schroff.biz/oneclick)  
oneClick search code = Part no.

### Plastic tip-up feet

- Static load-carrying capacity 25 kg per foot
- Can be used instead of standard feet
- Fixing holes provided in bottom of case

#### Delivery comprises (kit)

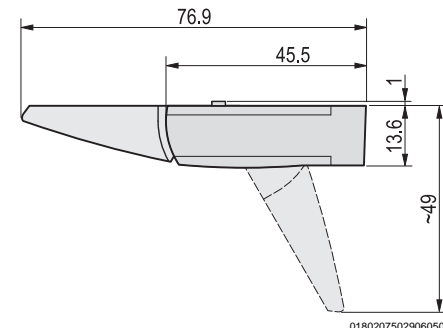
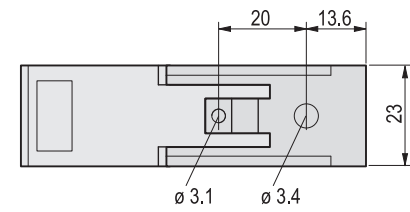
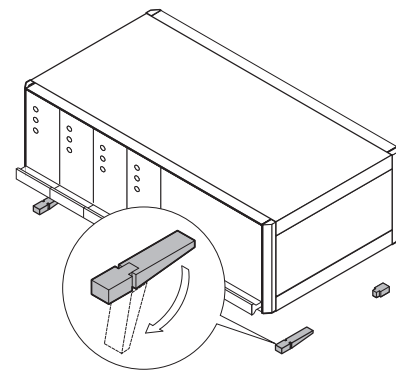
Item	Qty	Description
1	4	Foot, PA, UL 94 V-0
2	4	Anti-slip protection, TPE
3	2	Tip-up device, PA, UL 94 V-0
4	1	Assembly kit

#### Order Information

Description	RAL 7016	RAL 9006
	anthracite	silver
	Part no.	Part no.
Plastic tip-up foot	20603-002	20603-001



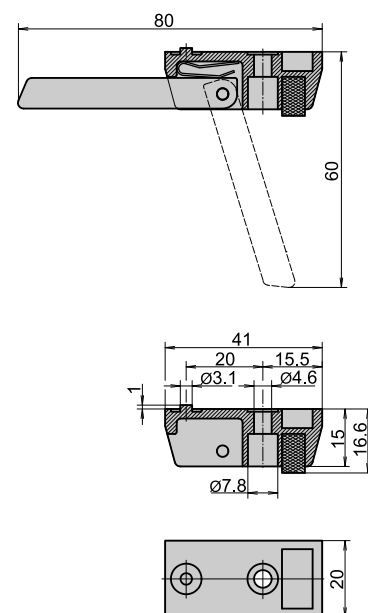
For further information [www.schroff.biz/oneclick](http://www.schroff.biz/oneclick)  
oneClick search code = Part no.



0180207502906050

## Desk-top cases – Accessories

### Al die-cast tip-up foot



AZA43836

- Static load-carrying capacity 50 kg per foot
- Can be used instead of standard feet
- Fixing holes provided in bottom of case

#### Order Information

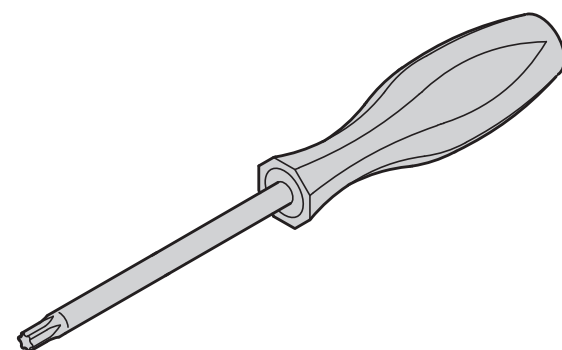
Description	Qty	Part no.
Foot without tip-up, Al die-cast, silver	1 piece (SPQ 10) <sup>1)</sup>	10603-001
Foot with tip-up, Al die-cast, silver	1 piece (SPQ 10) <sup>1)</sup>	10603-002

#### Accessories

<b>Cheesehead screw with slot</b> M4 x 12, St, zinc-plated, PU 100 pieces	21101-211
<b>Hexagon nut</b> M4, St, zinc-plated, PU 100 pieces	21100-211
<b>Spring washer</b> A4, St, zinc-plated, PU 100 pieces	21100-207

1) Delivery is exclusively in Standard Pack Quantity (SPQ): Please order at least 10 pieces or a multiple. Pricing is per individual item.

### Screwdriver




AZA45925

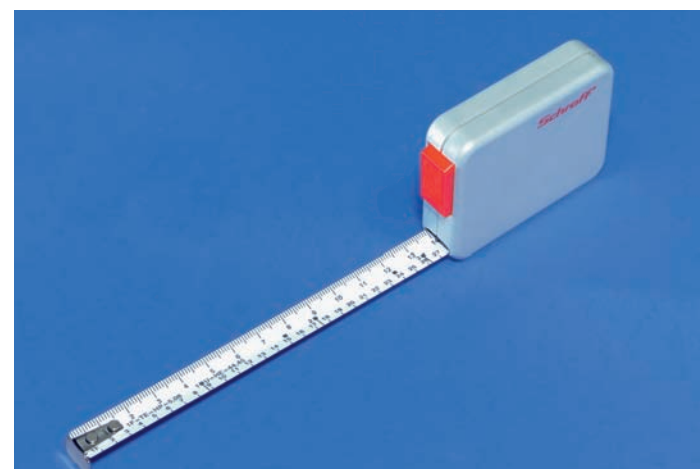
- T8: For mounting guide rails to horizontal rails
- T20: For mounting horizontal rails and rear hoods to side panels, cover plates, support brackets and front handles

#### Order Information

Torx screwdriver	Qty/PU pieces	Part no.
M2.5 T 8 Torx	1	64560-026
M4 T 20 Torx	1	64560-027

 For further information [www.schroff.biz/oneclick](http://www.schroff.biz/oneclick)  
oneClick search code = Part no.

### Measuring tape




32506001

- Measuring tape with cm, U-, HP-division (length 2 m)
- Plastic cases, metal measuring tape with automatic collection

#### Order Information

Description	Qty/PU	Part no.
Measuring tape	1	89009-001

 For further information [www.schroff.biz/oneclick](http://www.schroff.biz/oneclick)  
oneClick search code = Part no.



# MAIN CATALOG

24TH EDITION



# Schroff® MAIN CATALOG

EQUIPMENT PROTECTION SOLUTIONS

24TH EDITION | OCTOBER 2012



SCHROFF GMBH, LANGENALBER STRASSE 96-100, D-75334 STRAUBENHARDT WWW.PENTAIREQUIPMENTPROTECTION.COM

39601-641 © 2012 Pentair Equipment Protection



## X-ON Electronics

Largest Supplier of Electrical and Electronic Components

*Click to view similar products for [schroff](#) manufacturer:*

Other Similar products are found below :

[24566-125](#) [14575271](#) [14576145](#) [14575265](#) [20117-156](#) [20817772](#) [20827088](#) [20846211](#) [20860229](#) [21100777](#) [23130082](#) [24571331](#) [24571586](#)  
[24572066](#) [26230-374](#) [30825080](#) [20849021](#) [20860240](#) [23001021](#) [24560080](#) [24571303](#) [24572054](#) [24572056](#) [30219-113](#) [20848-410](#) [20838-125](#) [20860-605](#) [10225-602](#) [10225-623](#) [10828058](#) [13100103](#) [13100123](#) [28230-439-C](#) [24563-457](#) [24563-444](#) [20848-601](#) [21101-853](#) [24563-133](#) [24563-134](#) [24564-431](#) [24827-107](#) [24563-142](#) [24563-157](#) [24563-442](#) [A265HC-5.80EH](#) [24561-331](#) [10225640](#) [10225696](#) [16230005](#)  
[16230007](#)