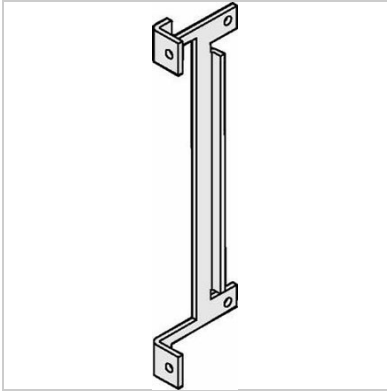


# Board support, plastic, double (4xM2.5)

SCHROFF



Catalog Number: 60807-011  
Back To Product

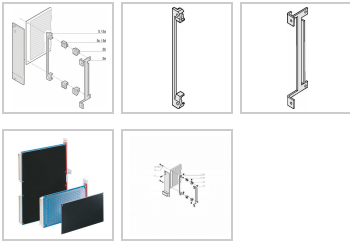
- For fixing PCB to front panel

**Mechanics:**  
PCB covers and PCB case

- Product family:**
- PCB Accessories
  - Plug in units

- Note:**
- Required quantity at 6 U : 4 units
  - Required quantity at 3 U : 2 units
  - Delivery is in standard pack multiples. Pricing is per individual item

Other Views



Select product specifications before modifying or adding to project list or requesting a quote.

Material-defining  
 [Clear Selection](#)

\* Country / Region

Quantity

Add Item to Project List +

**Links**

Native CAD files

## Technical Data

Qty	1 piece (SPQ 10)
Delivery is exclusively made in Standard Pack Quantity (SPQ)	10
Color	red
Material	PBT, UL 94 V-0
Item	13
Required number at 3 U	1
Required number at 6 U	2

## Accessories

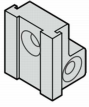
	Board support, plastic, 1pcs (SPQ10)	60807-183	Add Item to Project List +
	PCB bracket, 4 thread M 2.5 for front panel/printed board fastening, PBT, UL 94 V-0, 1 piece	60807-211	Add Item to Project List +



PCB bracket, 4 thread M2.5 for front panel/printed board fastening for recessed installation of printed board (20 mm), mounting depth 192.24 mm, zinc-plated steel, for europacPRO, ratiopacPRO, 1 piece

30808-871

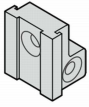
[Add Item to Project List](#) +



Board support, die-cast zinc (1xM2.5), 1pcs (SPQ10)

60807-203

[Add Item to Project List](#) +



Board support, die-cast zinc (2xM2.5), 1pcs (SPQ10)

60807-181

[Add Item to Project List](#) +

#### EXPLORE

- [About Us](#)
- [Services & Capabilities](#)
- [News & Events](#)
- [Newsletter Subscriptions](#)
- [Strategic Partnerships](#)
- [Investor Relations](#)

#### CONTACT

- [Customer Service](#)
- [Find a Sales Office or Distributor](#)
- [Global Locations](#)
- [Product Compliance & Certifications](#)
- [Partner Login](#)

#### DOWNLOAD

- [Download Center](#)
- [Reference Projects](#)
- [Videos](#)
- [Product Configurators](#)
- [Warranties and Terms of Sale & Procurement](#)

© 2019 nVent. All rights reserved | [Privacy Policy](#) | [Terms of Use](#) | [Cookie Policy](#) | [Imprint](#) | [Site Map](#)

#### Connect With Us



## X-ON Electronics

Largest Supplier of Electrical and Electronic Components

*Click to view similar products for [Sensor Hardware & Accessories](#) category:*

*Click to view products by [Schroff](#) manufacturer:*

Other Similar products are found below :

[62105012-000](#) [F03-01 SUS304 BINIL](#) [FH-AP1](#) [PH-1-10M](#) [PH-1-20M](#) [PH-2-30M](#) [AC201](#) [R4](#) [R-8580-360](#) [ADI-LC3S](#) [E39-L149](#) [PBT420-100R](#) [K35-4](#) [SDV-DH3 DC48](#) [SDV-DH7 AC200/220](#) [SDV-FL3 DC48](#) [SDV-FM2 DC24](#) [SDV-FM3 DC48](#) [SDV-FM6 AC100/110](#) [SDV-SH15](#) [A-1923](#) [STA12](#) [AP4-T](#) [PH-1-50M](#) [R6](#) [R-8580-362](#) [D01051301](#) [3Z4S-ML-PL305](#) [43912557-020](#) [MF-1 D=3.2](#) [BGN-035](#) [05282945-006](#) [E39-L7](#) [EE-1006-8 2M](#) [SDV-FL6 AC100/110](#) [SDV-FL7 AC200/220](#) [SDV-FM7 AC200/220](#) [SDV-SH10](#) [8000-5110](#) [ZX-SB11](#) [ZLR12GI12V3](#) [XZCC43FCP40B](#) [D01070602](#) [606075](#) [ZCM077GIV5](#) [Y92ES12PVC4A10ML](#) [Y92ES12PVC4S5ML](#) [ZFV-XMF2](#) [28810-2](#) [ZX-SW11E V3](#)