

Metal Switch, Latching Action, Switching Voltage up to 125 VDC / 250 VAC



Metal Switch with ceramic actuator
 Illumination area
 white



Metal Switch with ceramic actuator
 Illumination area
 red



Newly available with bright illumination

See below:

Approvals and Compliances

Description

- Switch available in version: Standard (ST), with Lettering (LE), with area illumination (AI)
- Available with bright illumination
- Available with 12 A and 16 A switching current Assembly by mounting with nut and subsequent clipping of the switching element
- Equipped with flat-pin plugs to permit fast connection

Characteristics

- Housing material: high-quality stainless steel, actuator material: highly durable ceramic
- with or without surface backlighting in different colours
- Switching voltage up to 125 VDC respectively 250 VAC, switching current up to 16 A
- available with single-pole and double-pole switching system, switching status is easy to discern by looking at or feeling the resting position of the actuator
- For use in harsh environments (see technical data)

References

- Alternative: Standard version [MSM LA CS 22](#)
- Alternative: double-pole switch [MSM DP 19](#)
- Alternative: Other diameter
- Alternative: switch with latching function:

Weblinks

- [pdf data sheet](#), [html datasheet](#), [General Product Information](#), [CAD-Drawings](#), [Product News](#), [Detailed request for product](#), [Video](#)

Technical Data

Electrical Data	
Switching Function	latching
Number of Poles	SPST, DPST
Supply Voltage	24 VDC Illumination area
Impulse Withstand Voltage (ESD)	2 kV with Ring Illumination
Switching Voltage	max. 250 VAC, 30 VDC (125 VDC at 0.5 A)
Switching Current	12 A AC / 16 A AC
Rated Switching Capacity	3000 W
Lifetime	0.05 million actuations (250 VAC / 8 A), 0.1 million actuations (125 VDC / 0,5 A), 0.02 million actuations (250 VAC / 16 A)
Contact Resistance	< 100 mΩ (12 VDC / 1 A)
Insulation Resistance	> 100 MΩ 500 VDC
Mechanical Data	
Actuating Force	10 N
Actuating Travel	5.2 mm,
Lifetime	0.1 million actuations
Contact Gap	3 mm
Shock Protection	IK07
Mounting screw torque Plastic Nut	max. 4.5 Nm
Mounting screw torque Stainless Steel Nut	max. 12 Nm

Climatical Data	
Operating Temperature	-20 to 85 °C
Storage Temperature	-20 to 85 °C
Protection Class	IP64
Switching Unit	IP40
Salt Spray Test (acc. to DIN 50021-SS)	24 h / 48 h / 96 h Residence Time
Material	
Housing	Stainless Steel
Actuator (disc, outside housing)	Ceramics
Seal Ring	NBR70
Switcher Collet	PA66 (UL94-V0 related to d ≥ 1.6 mm)
Intermediate Connector	PA66 (UL94-V0 related to d ≥ 1.6 mm)
Contact Pin Adapter	PA66 (UL94-V0 related to d ≥ 1.6 mm)
Plastic Nut	PA, UL94

Approvals and Compliances

Detailed information on product approvals, code requirements, usage instructions and detailed test conditions can be looked up in [Details about Approvals](#)

SCHURTER products are designed for use in industrial environments. They have approvals from independent testing bodies according to national and international standards. Products with specific characteristics and requirements such as required in the automotive sector according to IATF 16949, medical technology according to ISO 13485 or in the aerospace industry can be offered exclusively with customer-specific, individual agreements by SCHURTER.

Product standards

Product standards that are referenced

Organization	Design	Standard	Description
	Designed according to	DIN EN 61058-1	Switches for appliances. Part 1. General requirements
	Designed according to	UL 1054	UL standard for safety special-use switches



Application standards

Application standards where the product can be used

Organization	Design	Standard	Description
	Designed for applications acc.	IEC/UL 62368-1	Audio/video, information and communication technology equipment - Part 1: Safety requirements

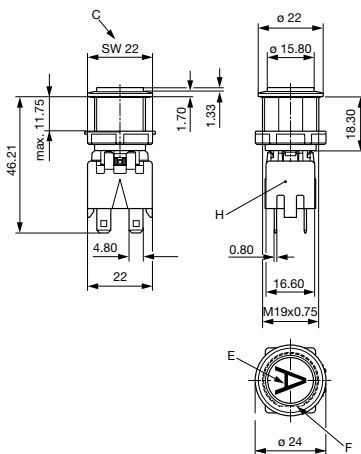
Compliances

The product complies with following Guide Lines

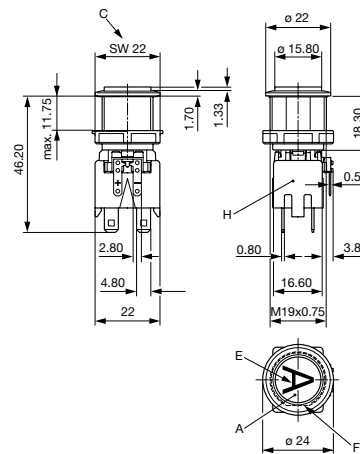
Identification	Details	Initiator	Description
	RoHS	SCHURTER AG	Directive RoHS 2011/65/EU, Amendment (EU) 2015/863
	REACH	SCHURTER AG	On 1 June 2007, Regulation (EC) No 1907/2006 on the Registration, Evaluation, Authorization and Restriction of Chemicals 1 (abbreviated as "REACH") entered into force.

Dimension [mm]

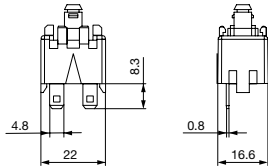
MSM 19 LA CS ST / double-pole



MSM 19 LA CS AI / double-pole



Switching Element single-pole with Push Button Holder



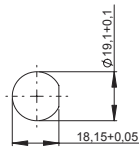
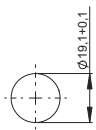
Legend

- A = Illumination Area
- C = Width Across Flats
- D = Knurled Nut
- E = Lettering
- F = Anti-Rotation
- H = Switching Element

Dimension

MSM 19 LA CS (without torsion protection)

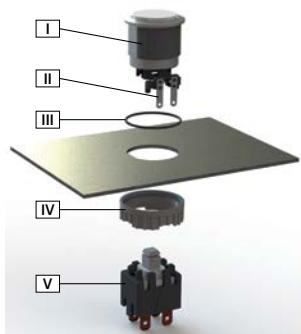
MSM 19 LA CS (with torsion protection)



Drilling diagram

Drilling diagram

Assembly Instructions



I Housing

II Flat Pin Terminal (Illumination)

III Gasket

IV Nut (Nut type see Dimensions)

V Module Switching Contact

Installation Instruction:

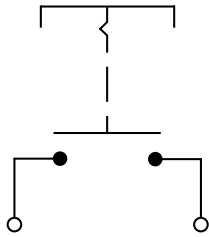
- 1.) Place the gasket accurately on the actuator housing. Then mount the actuator housing assembly into the panel.
- 2.) Tighten the screw nut according to the torque instructions.
- 3.) Clasp the module switching contact into the actuator housing.

Installation information:

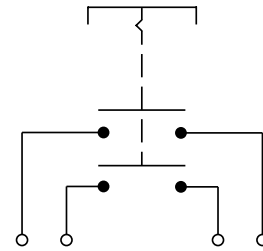
- 1.) The power supply and the configuration of the flat pin terminals have to be installed correctly for the illumination and micro switch function.
- 2.) Insulate the terminals as required. Fully insulated plug-in sleeves are recommended.
- 3.) Installation instructions according to VDE-standard DIN VDE 0100-100 or alternatively IEC 60354 standard

Diagrams

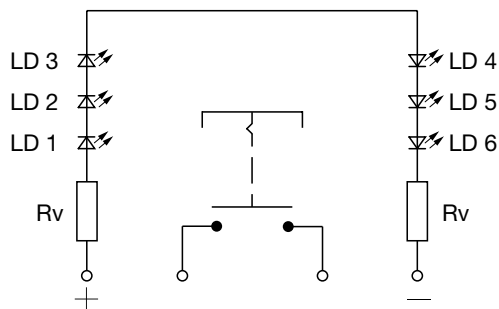
MSM LA CS ST / single-pole



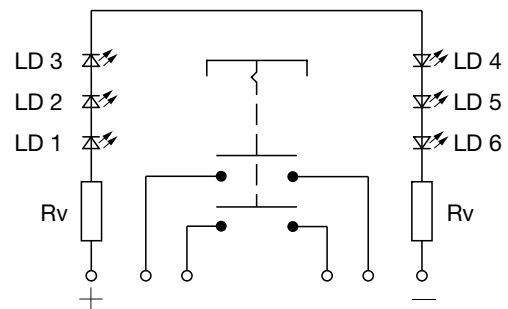
MSM LA CS ST / double-pole



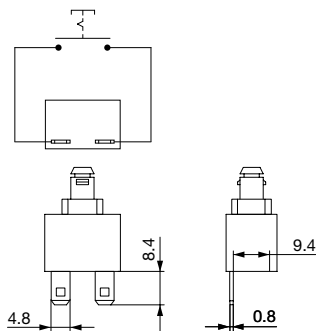
MSM LA CS AI / single-pole



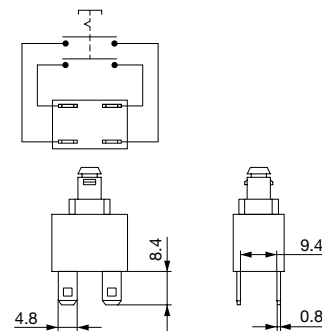
MSM LA CS AI / double-pole



Contact Layout single-pole



Contact Layout double-pole



Marking

The last three digits in the order number define the lettering:

000	No Lettering
001-074	Standard Lettering
101-	Customized Lettering

Lettering Colour of Laser Lettering

Material	Lettering Colour
Ceramic	black Filled letters

Order Index Lettering

Laser Marking			
001 =A	021 =U	041 =⇄	061 =EIN
002 =B	022 =V	042 =*	062 =AUS
003 =C	023 =W	043 ==	063 =AUF
004 =D	024 =X	044 =#	064 =AB
005 =E	025 =Y	045 =↔	065 =ON
006 =F	026 =Z	046 =↑	066 =OFF
007 =G	027 =0	047 =→	067 =UP
008 =H	028 =1	048 =←	068 =DOWN
009 =I	029 =2	049 =↓	069 =HIGH
010 =J	030 =3	050 =↑	070 =LOW
011 =K	031 =4	051 =%	071 =ON/OFF
012 =L	032 =5	052 =√	072 =START
013 =M	033 =6	053 =CTRL	073 =RESET
014 =N	034 =7	054 =RETURN	074 =🔌
015 =O	035 =8	055 =SHIFT	075 =💡
016 =P	036 =9	056 =LOCK	076 =🔒
017 =Q	037 =+	057 =STOP	077 =Ⓜ
018 =R	038 =-	058 =ENTER	
019 =S	039 =.	059 =BACK	
020 =T	040 =x	060 =LINE	

Please note that the font size depends on the number of characters

All Variants

Diameter	Switching Current	Switching Voltage	Illumination, LED	Housing Material	Torsion Protection Housing/Actuator	Electrical contact	Config. Code	Order Number
[mm]	[A]	[VAC/ VDC]						
19	12	250 VAC	Backlighted, red, 24 VDC	-	yes / yes	SPST	MSM 19 LA CS AI red	1241.8544
19	12	250 VAC	Backlighted, green, 24 VDC	-	yes / yes	SPST	MSM 19 LA CS AI green	1241.8545
19	12	250 VAC	Backlighted, blue, 24 VDC	-	yes / yes	SPST	MSM 19 LA CS AI blue	1241.8547
19	12	250 VAC	Backlighted, white, 24 VDC	-	yes / yes	SPST	MSM 19 LA CS AI white	1241.8548
19	12	250 VAC	non-illuminated	Stainless Steel	yes / yes	SPST	MSM 19 LA CS Pcs	1241.7221.1110000
19	12	250 VAC	Backlighted, red, 24 VDC	-	yes / yes	DPST	MSM 19 LA CS AI red	1241.8550
19	12	250 VAC	Backlighted, green, 24 VDC	-	yes / yes	DPST	MSM 19 LA CS AI green	1241.8551
19	12	250 VAC	Backlighted, blue, 24 VDC	-	yes / yes	DPST	MSM 19 LA CS AI blue	1241.8553
19	12	250 VAC	Backlighted, white, 24 VDC	-	yes / yes	DPST	MSM 19 LA CS AI white	1241.8554
19	12	250 VAC	non-illuminated	Stainless Steel	yes / yes	DPST	MSM 19 LA CS Pcs	1241.7221.1120000
19	12	250 VAC	Backlighted, yellow, 24 VDC	-	yes / yes	SPST	MSM 19 LA CS AI yel-low	1241.8546
19	12	250 VAC	Backlighted, orange, 24 VDC	-	yes / yes	SPST	MSM 19 LA CS AI orange	1241.8549
19	12	250 VAC	Backlighted, yellow, 24 VDC	-	yes / yes	DPST	MSM 19 LA CS AI yel-low	1241.8552
19	12	250 VAC	Backlighted, orange, 24 VDC	-	yes / yes	DPST	MSM 19 LA CS AI orange	1241.8555
19	16	250 VAC	Backlighted, red, 24 VDC	-	yes / yes	SPST	MSM 19 LA CS AI red	3-101-005
19	16	250 VAC	Backlighted, green, 24 VDC	-	yes / yes	SPST	MSM 19 LA CS AI green	3-101-007
19	16	250 VAC	Backlighted, blue, 24 VDC	-	yes / yes	SPST	MSM 19 LA CS AI blue	3-101-009
19	16	250 VAC	Backlighted, blue, 24 VDC	-	yes / yes	DPST	MSM 19 LA CS AI blue	3-101-010
19	16	250 VAC	Backlighted, white, 24 VDC	-	yes / yes	DPST	MSM 19 LA CS AI white	3-101-011
19	16	250 VAC	Backlighted, white, 24 VDC	-	yes / yes	SPST	MSM 19 LA CS AI white	3-101-022
19	16	250 VAC	Backlighted, red, 24 VDC	-	yes / yes	DPST	MSM 19 LA CS AI red	3-101-023
19	16	250 VAC	Backlighted, green, 24 VDC	-	yes / yes	DPST	MSM 19 LA CS AI green	3-101-024

Diameter	Switching Current	Switching Voltage	Illumination, LED	Housing Material	Torsion Protection Housing/Actuator	Electrical contact	Config. Code	Order Number
[mm]	[A]	[VAC/ VDC]						

Legend:

Type:

MSMCS = Ceramic Surface

ST = Standard: not lettered

LE = Lettering: lettered

AI = BL = Full Surface Backlighting: Lettering possible (see Lettering, last 3 digits)

IP65 degree of protection front side contact areadegree of protection rear side contact area IP40 or IP67 optional -> see Technical Data Micro Switch

Customer-specific versions available on request.

Special materials for use in salt and chlorinated environment on request.

The MOQ for standard laser lettering on standard variants is a packing unit.

The nut with gasket and micro switch are enclosed in the box.

Most Popular.

Availability for all products can be searched real-time: <https://www.schurter.com/en/Stock-Check/Stock-Check-SCHURTER>

Packaging unit

10 in box with insert



- Actuating elements in ESD safe packaging
- Screw nuts and sealing rings in a bag (enclosed in the box)
- Micro switches (enclosed in the box)

Accessories

Description



Power Supply

Power Supply IP42 for LED- and Illumination applications indoor 90~264 VAC => 24 VDC 0.34 A 8 W

X-ON Electronics

Largest Supplier of Electrical and Electronic Components

Click to view similar products for [Pushbutton Switches](#) category:

Click to view products by [Schurter](#) manufacturer:

Other Similar products are found below :

[8940K2012](#) [LW1L-M1C10V-A](#) [LW1L-M1C70-A](#) [LW2L-A1C20M-GD](#) [LW2L-M1C20M-A](#) [60324L](#) [M22-D-R-GB0/K11](#) [M7E-HRN2](#)
[67021K512](#) [67081K512X](#) [701PB580](#) [7199K101](#) [810K12910](#) [810KSV30B](#) [MML21EA2ADK](#) [MML21KA3ABK](#) [MML23KA3AC05K-001](#)
[MML23KW3AA01W](#) [8418K2](#) [8442K2](#) [8442K3](#) [8450K1](#) [860K11911T01A](#) [861901](#) [861K11911T01A07](#) [861K13810T00A14](#) [861K13911](#)
[8646AB6X718UL](#) [8646ABUL](#) [9001KXRK](#) [907AYY100](#) [PMHD155A1](#) [9533CD4+U574+U4922](#) [95-414.000](#) [99-450.837](#) [99-453.837](#)
[PV3H2B0NN-341](#) [1203MRA](#) [A22NZBGANGA](#) [A22NZBNANGA](#) [A22NZMPATRA](#) [A2PMA1X03EC56](#) [A3A-5123-02](#) [A3A-7140](#) [A3A-7310](#) [A3A-7340](#) [A3U-TMW-A2C-5M](#) [A595](#) [12037A2ULCSA](#) [ABD122N-B](#)