

Rear Cover for Power Entry Module



E.g. DG12 with rear cover



E.g. DG11 with rear cover



See below:
[Approvals and Compliances](#)

Description

- The new RC320 Rear Covers protect against unintentional contact with live terminals.
- Rear covers from SCHURTER are a welcome addition for professional internal device designs.

Unique Selling Proposition

- Silicone rubber for a better fit.
- With high flame protection class UL94 V-0.
- Temperature resistant up to 150°C.
- Halogen free and RoHS, China RoH as well as REACH compliant.

References

Mating cover to -> [Go to Table of Variants](#)

Weblinks

[pdf data sheet](#), [html datasheet](#), [General Product Information](#), [Approvals](#), [Distributor-Stock-Check](#), [Accessories](#), [Detailed request for product](#)

Approvals and Compliances

Detailed information on product approvals, code requirements, usage instructions and detailed test conditions can be looked up in [Details about Approvals](#)

SCHURTER products are designed for use in industrial environments. They have approvals from independent testing bodies according to national and international standards. Products with specific characteristics and requirements such as required in the automotive sector according to IATF 16949, medical technology according to ISO 13485 or in the aerospace industry can be offered exclusively with customer-specific, individual agreements by SCHURTER.

Application standards

Application standards where the product can be used

| Organization | Design | Standard | Description |
|--------------|--------------------------------|----------------|--|
| | Designed for applications acc. | IEC/UL 62368-1 | IEC 62368-1 includes the basic requirements for safety of audio, video, information technology and office equipment. |

Compliances

The product complies with following Guide Lines

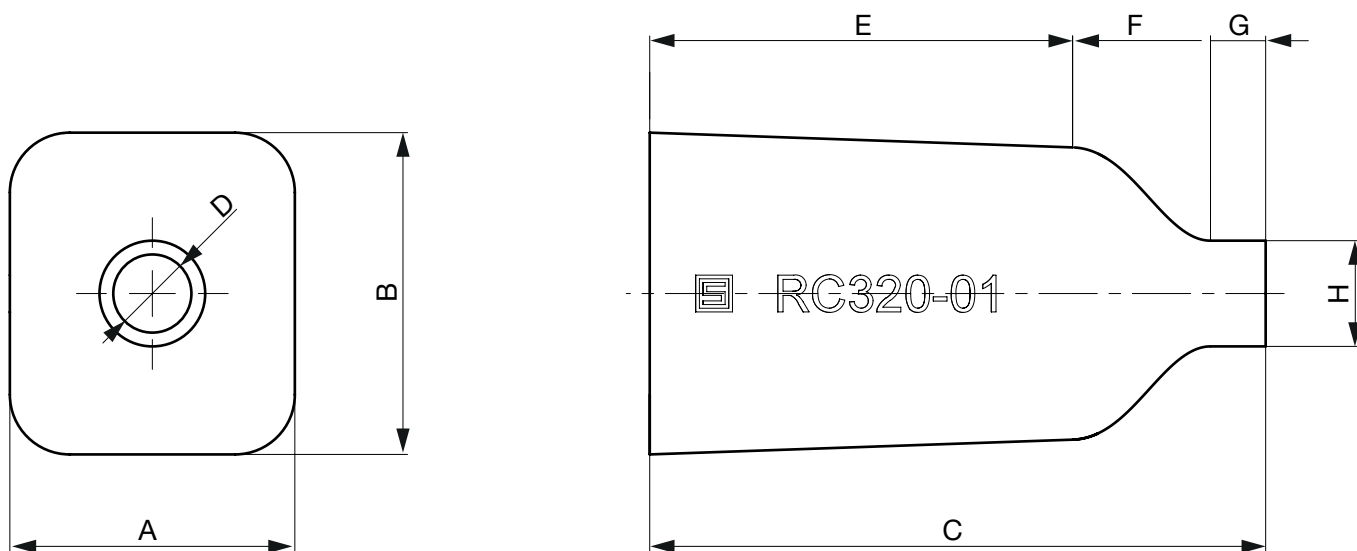
| Identification | Details | Initiator | Description |
|----------------|--------------|-------------|---|
| | RoHS | SCHURTER AG | Directive RoHS 2011/65/EU, Amendment (EU) 2015/863 |
| | China RoHS | SCHURTER AG | The law SJ / T 11363-2006 (China RoHS) has been in force since 1 March 2007. It is similar to the EU directive RoHS. |
| | Halogen Free | SCHURTER AG | SCHURTER strives to offer our customers halogen free products. |
| | REACH | SCHURTER AG | On 1 June 2007, Regulation (EC) No 1907/2006 on the Registration, Evaluation, Authorization and Restriction of Chemicals 1 (abbreviated as "REACH") entered into force. |

Dimensions [mm]

Shape A

Type

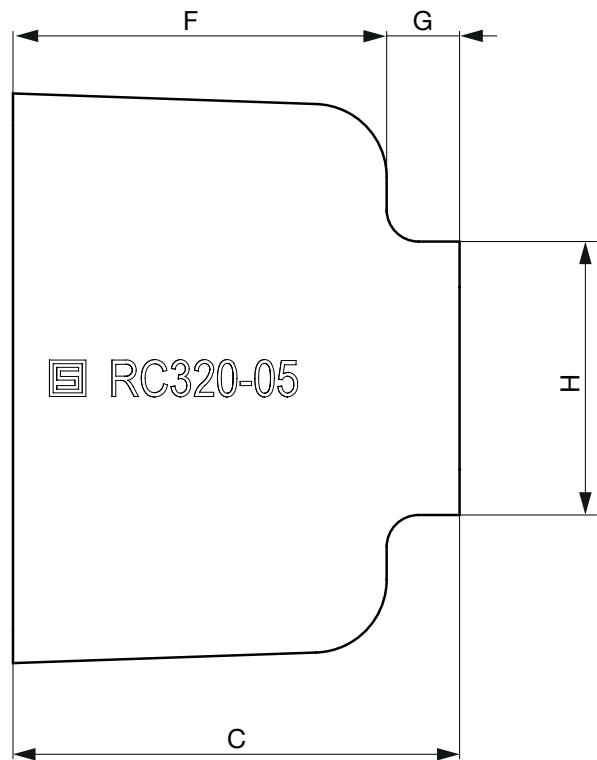
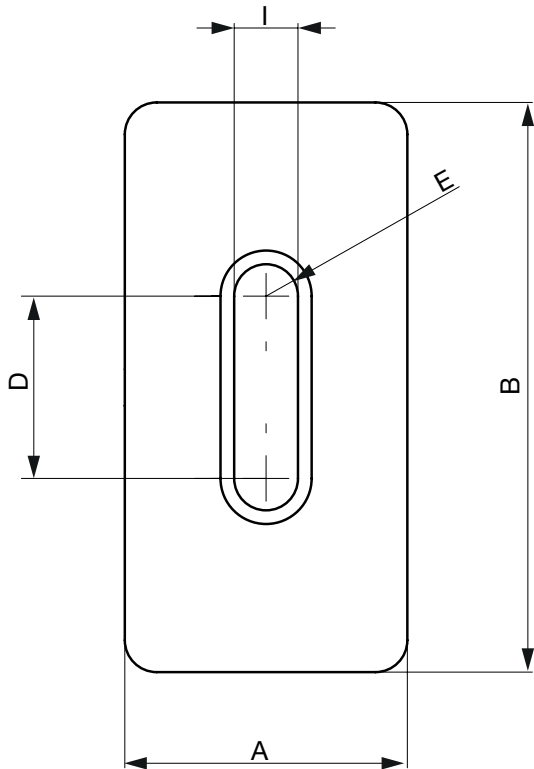
RC320-01 / RC320-02 / RC320-03 / RC320-04 / RC320-07 / RC320-08 / RC320-09 / RC320-10 / RC320-11 / RC320-12



| Type | A | B | C | D | E | F | G | H |
|----------|------|------|----|------|----|----|---|-------|
| RC320-01 | 31 | 35 | 67 | ø8.5 | 46 | 15 | 6 | ø11.5 |
| RC320-02 | 32.5 | 36 | 81 | ø8.5 | 60 | 15 | 6 | ø11.5 |
| RC320-03 | 23.5 | 31.2 | 51 | ø8.5 | 35 | 10 | 6 | ø11.5 |
| RC320-04 | 24.5 | 32.2 | 71 | ø8.5 | 55 | 10 | 6 | ø11.5 |
| RC320-07 | 32.7 | 50.7 | 60 | ø8.5 | 40 | 15 | 5 | ø11.5 |
| RC320-08 | 33 | 52.5 | 68 | ø8.5 | 48 | 15 | 5 | ø11.5 |
| RC320-09 | 28.2 | 36 | 58 | ø8.5 | 37 | 15 | 6 | ø11.5 |
| RC320-10 | 30.7 | 44.8 | 73 | ø8.5 | 53 | 15 | 5 | ø11.5 |
| RC320-11 | 32 | 46 | 88 | ø8.5 | 68 | 15 | 5 | ø11.5 |
| RC320-12 | 33 | 41 | 63 | ø8.5 | 43 | 15 | 5 | ø11.5 |

Shape B

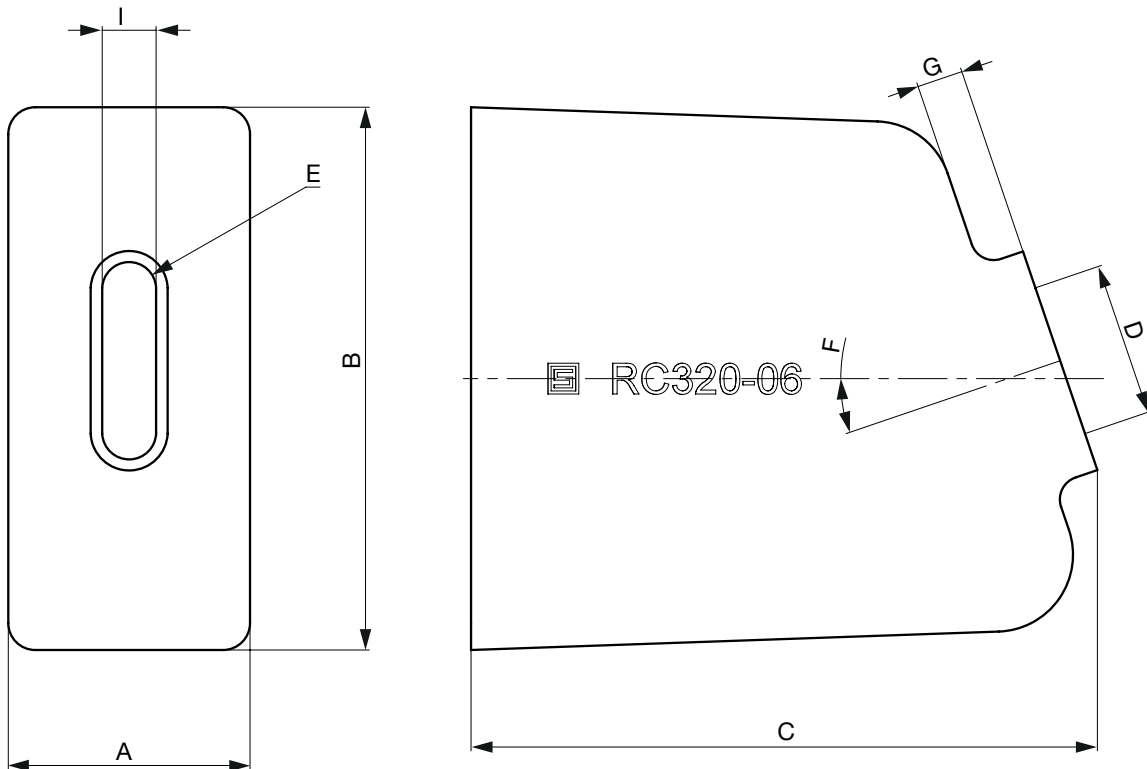
Type
 RC320-05 / RC320-13 / RC320-14



RC320-05

| Type | A | B | C | D | E | F | G | H | I |
|----------|------|------|----|----|-------|----|---|----|----|
| RC320-05 | 31 | 62.5 | 49 | 20 | R 3.5 | 41 | 8 | 30 | 10 |
| RC320-13 | 32 | 61.3 | 78 | 20 | R 3.5 | 70 | 8 | 30 | 10 |
| RC320-14 | 36.7 | 61.3 | 78 | 20 | R 3.5 | 70 | 8 | 30 | 10 |

Shape C
 Type
 RC320-06



| Type | A | B | C | D | E | F | G | H | I |
|----------|------|------|------|----|-------|-----|---|----|----|
| RC320-06 | 31.4 | 70.5 | 81.4 | 20 | R 3.5 | 19° | 6 | 30 | 10 |

All Variants

| Type name | Suitable for | Remarks | Order Number |
|---------------------|--|--------------|--------------|
| RC320-01 Rear Cover | DC11, KEA, KEB1, 1062, 1064, 4707, 6200, 6202, 6205, 6220 | - | 3-125-661 |
| RC320-02 Rear Cover | C20F, C22F, DC12, KFA, KFB1, 5130, 5200, 5220, 5707 | - | 3-125-662 |
| RC320-03 Rear Cover | 0711, 1061, 2565, 6010, 6015, 6061, 6100-3, 6100-4, 6102-3, 6102-5, 6110-3, 6110-4, 6120-3 | - | 3-125-663 |
| RC320-04 Rear Cover | KFS, 5003, 5110, 5120, 5123 | - | 3-125-664 |
| RC320-05 Rear Cover | 6762, 6765 | - | 3-125-665 |
| RC320-06 Rear Cover | CD, KD | - | 3-125-666 |
| RC320-07 Rear Cover | DD11, EC11, KM, KMF | - | 3-125-667 |
| RC320-08 Rear Cover | DD12, DD14 | - | 3-125-668 |
| RC320-09 Rear Cover | 1621, 1624, 4721, 4723, 4793, 4798, 5098, 6600-3, 6600-4 | - | 3-125-669 |
| RC320-10 Rear Cover | KEB2, KEC | - | 3-125-670 |
| RC320-11 Rear Cover | KFB2, KFC | - | 3-125-671 |
| RC320-12 Rear Cover | 4797, 5213, 5216 | - | 3-125-672 |
| RC320-13 Rear Cover | DG11, DG12 | IP40 version | 3-125-673 |
| RC320-14 Rear Cover | DG11, DG12 | IP67 version | 3-125-674 |

| Type name | Suitable for | Remarks | Order Number |
|---|--------------|---------|--------------|
| <p>■ Most Popular.</p> <p>Availability for all products can be searched real-time:https://www.schurter.com/en/Stock-Check/Stock-Check-SCHURTER</p> | | | |

X-ON Electronics

Largest Supplier of Electrical and Electronic Components

Click to view similar products for [AC Power Entry Modules](#) category:

Click to view products by [Schurter](#) manufacturer:

Other Similar products are found below :

[0098.0050](#) [6167.0002](#) [6609100-2](#) [7-6609955-2](#) [FKI2-50-6/M5](#) [FN361-6-06](#) [FN389-4-22](#) [FN9226B-6-02](#) [FN9233S1-10-06](#) [FN9233S1-8-06](#)
[FN9233S1B-8-06](#) [FN9233S1R-1-06](#) [FN9233S1R-12-06](#) [FN9233SB-1-06](#) [FN9233SB-12-06](#) [FN9233SB-8-06](#) [FN9233SR-10-06](#) [FN9244B-15-06HI](#) [FN9244EB-3-06](#) [FN9244EB-8-06](#) [FN9244ER-15-06](#) [FN9244ER-8-06](#) [FN9244ES1-8-06](#) [FN9244ESB-8-06](#) [FN9244S1-12-06](#)
[FN9244S1R-3-06](#) [FN9244SB-8-06](#) [FN9244SR-10-06](#) [FN9244SR-3-06](#) [FN9244SR-6-06](#) [FN9244U-3-06](#) [FN9244U-8-06](#) [8-6609940-2](#)
[PE00SSSX](#) [Fuse-H-EUR-1](#) [Fuse-H-USA-1](#) [PM00XD000](#) [A-0701-HT-H](#) [15EJMS8](#) [1-6609941-2](#) [200JM6-2](#) [CA121003-6](#) [SK-1015\(F1-5\)](#)
[161-R3015-E](#) [1-6609153-2](#) [FN323-1-05](#) [FN9233B-8-06](#) [FN9233EB-1-06](#) [FN9233ES1R-10-06](#) [FN9233R-12-06](#)