

IEC Appliance Inlet C6 with Line Switch 1- or 2-pole



Snap-in version



**Description**

- Panel Mount :
- Snap-in version , from front side
- Appliance Inlet , Pin temperature 70 °C , Protection class I ,
- Line Switch 1- or 2-pole
- Solder terminals or quick connect terminals

**Approvals**

- VDE Certificate Number: 40002273
- CSA File Number: 1020538

**Characteristics**

- Line switch non-illuminated or illuminated

**References**

We recommend for new applications the type [CMF3](#), [CMF6](#)  
Last order date: 31.12.2016

**Weblinks**

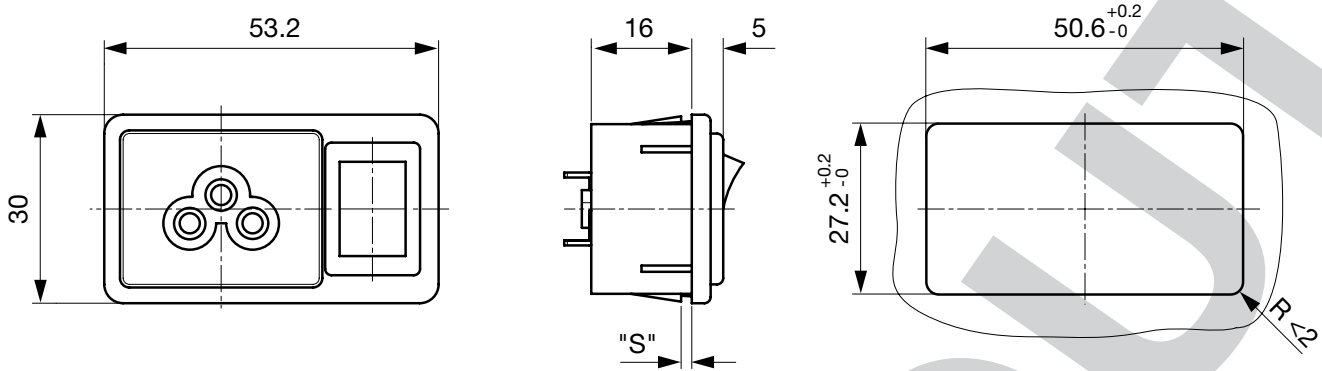
[pdf datasheet](#), [html-datasheet](#), [General Product Information](#), [RoHS](#), [CHINA-RoHS](#), [REACH](#), [Distributor-Stock-Check](#), [Accessories](#), [Detailed request for product](#)

**Technical Data**

Ratings IEC	2.5 A / 250 VAC; 50Hz	appliance inlet/-outlet	C6 acc. to IEC 60320-1
Ratings UL/CSA	2.5 A / 250 VAC; 60Hz		UL 498, CSA C22.2 no. 42 (for cold conditions) pin-temperature 70 °C, 2.5A, Protection Class I
Dielectric Strength	> 2.5 kVAC between L-N > 3 kVAC between L/N-PE (1 min/50Hz)	Line Switch	Rocker switch 1 or 2 pole, non-illuminated or illuminated, acc. to IEC 61058-1 <a href="#">Technical Details</a>
Allowable Operation Temperature	-25 °C to 70 °C		
IP-Protection	from front side IP 20 acc. to IEC 60529		
Insulation cover	Suitable for appliances with protection class I acc. to IEC 61140		
Terminal	Solder terminals or quick connect terminals		
Panel Thickness s	Snap-in: 1/1.5/2/2.5/3 mm		
Material: Housing	PA6, black, UL 94V-0		

Detailed information on product approvals, code requirements, usage instructions and detailed test conditions can be looked up in [General Product Information](#)

Dimensions



Length of the terminal please find at the order code configuration table

Dimension "S" please ref. to table order code

Config. Code

2565 - H - ABCN - D - EGP





The characters are placeholders for the correspondingly keys of selections from the key tables.

2565 - **H** - ABCN - D - EGP = Type

Type	Configuration key	Terminal Ground	Configuration key
combination frame	K	short solder terminal (L = 4.8 mm)	2
		long solder terminal (L = 8.5 mm)	3
		Blade terminal (2.8 x 0.8 mm)	7
		Blade terminal (4.8 x 0.8 mm)	8

Symbols similar as in table A

2565 - H - **A** BCN - D - EGP = Terminals

Terminal L	Configuration key
short solder terminal (L = 4.8 mm) 	2
long solder terminal (L = 8.5 mm) 	3
Blade terminal (2.8 x 0.8 mm) 	7
Blade terminal (4.8 x 0.8 mm) 	8

2565 - H - ABC **N** - D - EGP = Terminal Fuseholder

Terminal Fuseholder	Configuration key
no fuseholder	0

2565 - H - ABCN - **D** - EGP = Color

Color	Configuration key
Black	A

2565 - H - A **B** CN - D - EGP = Terminals

Terminal N	Configuration key
short solder terminal (L = 4.8 mm)	2
long solder terminal (L = 8.5 mm)	3
Blade terminal (2.8 x 0.8 mm)	7
Blade terminal (4.8 x 0.8 mm)	8

2565 - H - ABCN - D - **E** GP = Style

Style	Configuration key
snap-in (s=panel thickness)	4

2565 - H - ABCN - D - E **G** P = Mass S

Mass "s"	Configuration key
	10

The dimension "S" is displayed in (1/10 mm). This information is also valid for the order code

Mass "s"	Configuration key	Switches	Configuration key
15		unipolar switch, 4,8mm blade terminal, black rocker	2
20		unipolar switch, solder terminal, black rocker	3
25		bipolar switch, 4,8mm blade terminal, black rocker	4
30		bipolar switch, solder terminals, black rocker	5
		bipolar switch, 4,8mm blade terminal, rocker red illuminated	6
		bipolar switch, solder terminal, rocker red illuminated	7
		bipolar switch, 4,8mm blade terminals, rocker green illuminated	8
		bipolar switch, solder terminals, rocker green illuminated	9

The dimension "S" is displayed in ( $\frac{1}{10}$  mm). This information is also valid for the order code

2565 - H - A B C N - D - E G **P** = Switches

### All Variants

Config. Code	Description	Order Number
2565-K-2220-A-4155	2565, IEC Power Entry Module C6, 70°C, , version: I, L: short solder terminal (L = 4.8 mm), N: short solder terminal (L = 4.8 mm), ground: short solder terminal (L = 4.8 mm), color: Black, design: snap-in (s=panel thickness), dimension S: 15, bipolar switch, solder terminals, black rocker	4304.6044
2565-K-2220-A-4158	2565, IEC Power Entry Module C6, 70°C, , version: I, L: short solder terminal (L = 4.8 mm), N: short solder terminal (L = 4.8 mm), ground: short solder terminal (L = 4.8 mm), color: Black, design: snap-in (s=panel thickness), dimension S: 15, bipolar switch, 4,8mm blade terminals, rocker green illuminated	4304.6327

The listet variants should be available from stock Other versions on request [www.schurter.com/contact](http://www.schurter.com/contact)

Availability for all products can be searched real-time:<http://www.schurter.com/en/Stock-Check/Stock-Check-SCHURTER>

**Packaging unit** 100 Pcs

### Mating Outlets/Connectors

Category / Description



[Power Supply Cord Overview complete](#)

Cord Sets 2.5 A, Europlug, 2.0 m, Connector IEC C5, H05VV-F3G0.75, black

6052.0042

[Power Supply Cord further types to 2565-K](#)

## X-ON Electronics

Largest Supplier of Electrical and Electronic Components

*Click to view similar products for [AC Power Entry Modules](#) category:*

*Click to view products by [Schurter](#) manufacturer:*

Other Similar products are found below :

[0098.0050](#) [6167.0002](#) [6609100-2](#) [7-6609955-2](#) [FKI2-50-6/M5](#) [FN361-6-06](#) [FN389-4-22](#) [FN9226B-6-02](#) [FN9233S1-10-06](#) [FN9233S1-8-06](#)  
[FN9233S1B-8-06](#) [FN9233S1R-1-06](#) [FN9233S1R-12-06](#) [FN9233SB-1-06](#) [FN9233SB-12-06](#) [FN9233SB-8-06](#) [FN9233SR-10-06](#) [FN9244B-15-06HI](#) [FN9244EB-3-06](#) [FN9244EB-8-06](#) [FN9244ER-15-06](#) [FN9244ER-8-06](#) [FN9244ES1-8-06](#) [FN9244ESB-8-06](#) [FN9244R-12-06](#)  
[FN9244S1-12-06](#) [FN9244S1R-3-06](#) [FN9244SB-8-06](#) [FN9244SR-6-06](#) [FN9244U-3-06](#) [FN9244U-8-06](#) [8-6609940-2](#) [PE00SSSXB](#) [Fuse-H-EUR-1](#) [Fuse-H-USA-1](#) [PM00XD000](#) [A-0701-HT-H](#) [15EJMS8](#) [1-6609941-2](#) [200JM6-2](#) [CA121003-6](#) [SK-1015\(F1-5\)](#) [161-R3015-E](#) [1-6609153-2](#) [FN323-1-05](#) [FN9233B-8-06](#) [FN9233EB-1-06](#) [FN9233ES1R-10-06](#) [FN9233R-12-06](#) [FN9233S-10-06](#)