

4802, Socket, solder terminal, insulated, 3.5 mm, 2-pole, straight, UK-Connector



### Description

- Solder terminal :  
Screw-on mounting , from rear-side
- Data and Signal transfer
- Data and Signal Connectors 2-pole , insulated , straight
- Reinforced gold plating for increased insertions

### References

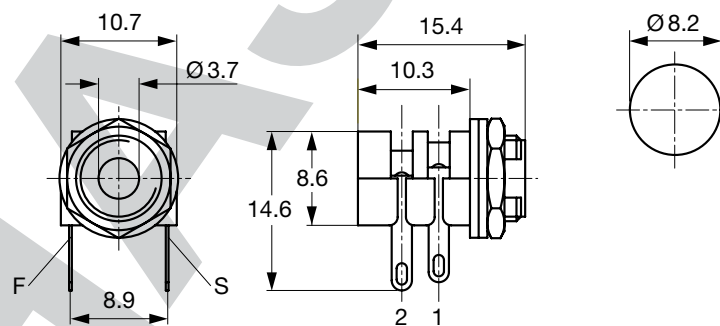
Alternative: Housing shielded [4802.2200](#)  
Last order date: 30.06.2016

### Technical Data

Diameter	3.5 mm	Allowable Operation Temperature	-20 °C to 70 °C
Number of Poles	2-pole	Terminal	solder terminal
Ratings DC	1 A / 12VDC	Mounting	Screw-on mounting wall thickness max. 2.0mm
Ratings AC	1 A / 12VAC	Housings	insulated
Dielectric Strength	500VDC	Style	straight
Insulation Resistance	> 10000 MΩ @ 500VDC	Lifetime	10000 Insertions

Detailed information on product approvals, code requirements, usage instructions and detailed test conditions can be looked up in [General Product Information](#)

### Dimensions



### Diagrams



## All Variants

Product group	Diameter [mm]	Number of Poles	Terminal	Order Number
Data and Signal Plug/ Sockets	3.5	2-pole	solder terminal	4802.2210

Most Popular.

Availability for all products can be searched real-time:<http://www.schurter.com/en/Stock-Check/Stock-Check-SCHURTER>

**Packaging unit** 100 Pcs

PHASE-OUT

## X-ON Electronics

Largest Supplier of Electrical and Electronic Components

*Click to view similar products for [Schurter](#) manufacturer:*

Other Similar products are found below :

[4420.0380](#) [4310.0028](#) [0034.1011](#) [0034.7115](#) [0001.1007.PT](#) [0034.2525](#) [0034.3406](#) [0034.9889](#) [7040.3140](#) [FMAC-0934-3610](#) [FMAD-0931-0810](#) [FMW-65-0005](#) [1241.3663](#) [1241.2506](#) [1301.9211](#) [EF12.ABTWF160C0.2110.01-16A-S](#) [9632.5100](#) [FMBC-0994-1000](#) [CE20.6100.1513-101-015](#) [3413.0214.11](#) [3413.0219.11](#) [3413.0220.11](#) [4420.0361](#) [4752.4000](#) [5500.2605.01](#) [3404.2330.11](#) [3405.0176.11](#) [3413.0216.11](#) [KD13.1101.105](#) [KD14.1101.109](#) [DC12.5102.101](#) [4303.1061](#) [4420.0210](#) [4430.1129](#) [4430.1892](#) [DKIP-0229-1005](#) [0859.0108](#) [091132B](#) [5500.2267](#) [5500.2647.03](#) [EF11.2196.0010.01](#) [6162.0083](#) [5120.1006.0.21](#) [5130.2101](#) [CD44.4199.151](#) [AS168X-CB2H030](#) [6136.0137.0210](#) [FMBC-A91C-1610](#) [EC12.2201.001.21](#)