

4803, Socket, PCB terminals, insulated, 6.3 mm, 3-pole, straight, UK-Connector



### Description

- PCB Mounting :  
Screw-on mounting , from rear-side
- Data and Signal transfer
- Data and Signal Connectors 3-pole , insulated , straight
- Reinforced gold plating for increased insertions

### References

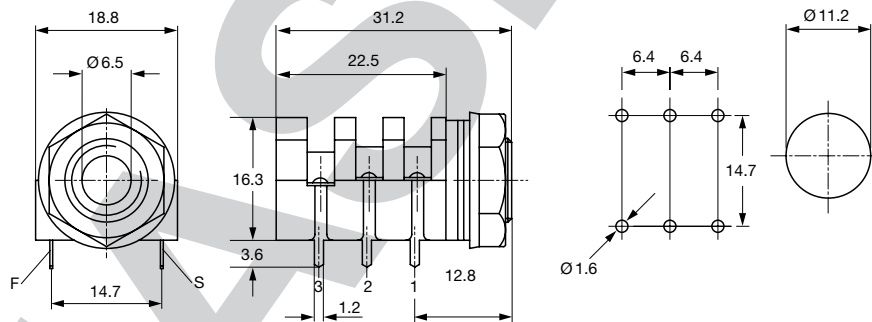
Alternative: Housing shielded [4803.2320](#)  
Last order date: 30.06.2016

### Technical Data

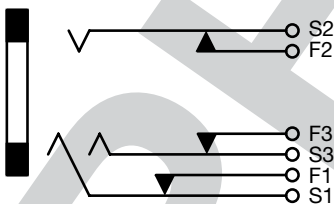
Diameter	6.3 mm
Number of Poles	3-pole
Ratings DC	2A / 12VDC
Ratings AC	2A / 12VAC
Dielectric Strength	1000VDC
Insulation Resistance	> 10000 MΩ @ 500VDC

Allowable Operation Temp.	-20 °C to 70 °C
Terminal	PCB terminals
Mounting	Screw-on mounting wall thickness max. 4.0mm
Housings	insulated
Style	straight
Lifetime	10000 Insertions

### Dimensions



### Diagrams



**All Variants**

Product group	Diameter [mm]	Number of Poles	Terminal	Order Number
Data and Signal Plug/ Sockets	6.3	3-pole	PCB terminals	4803.2330

Most Popular.

Availability for all products can be searched real-time:<http://www.schurter.com/Stock-Check/Stock-Check-SCHURTER>

**Packaging unit** 100 Pcs

PHASE-OUT

## **X-ON Electronics**

Largest Supplier of Electrical and Electronic Components

*Click to view similar products for [Schurter](#) manufacturer:*

Other Similar products are found below :

[4420.0380](#) [4310.0028](#) [0034.1011](#) [0034.7115](#) [0001.1007.PT](#) [0034.2525](#) [0034.3406](#) [0034.9889](#) [7040.3140](#) [FMAC-0934-3610](#) [FMAD-0931-0810](#) [FMW-65-0005](#) [1241.3663](#) [1241.2506](#) [1301.9211](#) [EF12.ABTWF160C0.2110.01-16A-S](#) [9632.5100](#) [FMBC-0994-1000](#) [CE20.6100.1513-101-015](#) [3413.0214.11](#) [3413.0219.11](#) [3413.0220.11](#) [4420.0361](#) [4752.4000](#) [5500.2605.01](#) [3404.2330.11](#) [3405.0176.11](#) [3413.0216.11](#) [KD13.1101.105](#) [KD14.1101.109](#) [DC12.5102.101](#) [4303.1061](#) [4420.0210](#) [4430.1129](#) [4430.1892](#) [DKIP-0229-1005](#) [0859.0108](#) [091132B](#) [5500.2267](#) [5500.2647.03](#) [EF11.2196.0010.01](#) [6162.0083](#) [5120.1006.0.21](#) [5130.2101](#) [CD44.4199.151](#) [AS168X-CB2H030](#) [6136.0137.0210](#) [FMBC-A91C-1610](#) [EC12.2201.001.21](#)