

Cord retaining strain relief snap-in mounting



See below:

[Approvals and Compliances](#)

Description

- Screw-on from front side
- Protection against accidental disconnection of power supply cord

References

- Alternative: version for screw mounting [2576 retaining kit](#)
 Component 1: Inlet [2578](#)
 Component 2: [Retainer](#)
 Component 3: Power cord with country specific line connector

Weblinks

- [pdf data sheet](#), [html datasheet](#), [General Product Information](#), [Approvals](#), [Distributor-Stock-Check](#), [Accessories](#), [Detailed request for product](#), [Video](#)

Technical Data

Ratings IEC	2.5 A / 250 VAC; 50 Hz
Ratings UL/CSA	7 A / 125 VAC; 60 Hz
IP-Protection	from front side IP20 acc. to IEC 60529
Protection against electric shock	Suitable for appliances with protection class II acc. to IEC 61140

Approvals and Compliances

Detailed information on product approvals, code requirements, usage instructions and detailed test conditions can be looked up in [Details about Approvals](#)

SCHURTER products are designed for use in industrial environments. They have approvals from independent testing bodies according to national and international standards. Products with specific characteristics and requirements such as required in the automotive sector according to IATF 16949, medical technology according to ISO 13485 or in the aerospace industry can be offered exclusively with customer-specific, individual agreements by SCHURTER.

Product standards

Product standards that are referenced

Organization	Design	Standard	Description
	Designed according to	IEC 60320-1	Appliance couplers for household and similar general purposes
	Designed according to	UL 498	Standard for Attachment Plugs and Receptacles
	Designed according to	CSA C22.2 no. 42	General Use Receptacles, Attachment Plugs, and Similar Wiring Devices





Application standards

Application standards where the product can be used

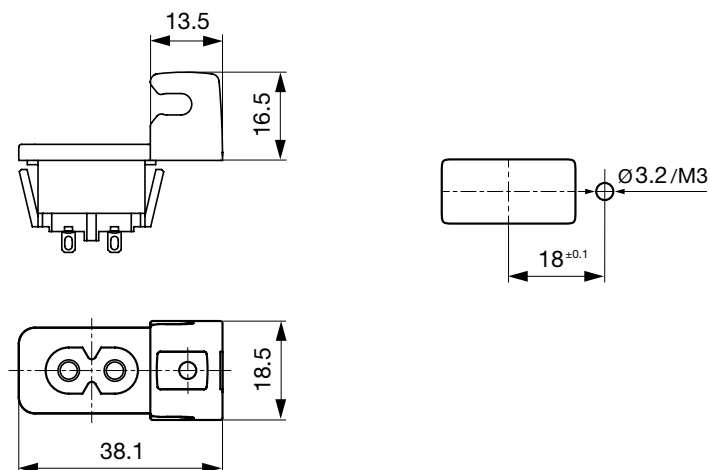
Organization	Design	Standard	Description
	Designed for applications acc.	IEC/UL 62368-1	IEC 62368-1 includes the basic requirements for safety of audio, video, information technology and office equipment.

Compliances

The product complies with following Guide Lines

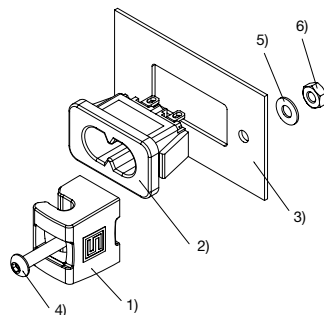
Identification	Details	Initiator	Description
	CE declaration of conformity	SCHURTER AG	The CE marking declares that the product complies with the applicable requirements laid down in the harmonisation of Community legislation on its affixing in accordance with EU Regulation 765/2008.
	RoHS	SCHURTER AG	Directive RoHS 2011/65/EU, Amendment (EU) 2015/863
	China RoHS	SCHURTER AG	The law SJ / T 11363-2006 (China RoHS) has been in force since 1 March 2007. It is similar to the EU directive RoHS.
	REACH	SCHURTER AG	On 1 June 2007, Regulation (EC) No 1907/2006 on the Registration, Evaluation, Authorization and Restriction of Chemicals 1 (abbreviated as "REACH") entered into force.

Dimensions [mm]



Retaining Kit

Assembly Instructions



- 1) Retainer
- 2) Appliance Inlet
- 3) Panel
- 4) Screws (M3)
- 5) Washer
- 6) Nut (M3)

Screws, nuts and washers are not included in the kit

Variants kit

Designation	Appliance Inlet	Cable	Country	Length [m]	Retainer	Order Number
2578 Retaining Kit US 2m			USA	2.0		6160.0124
2578 Retaining Kit US 4m			USA	4.0		6160.0125
2578 Retaining Kit EU 2m			EU	2.0		6160.0126
2578 Retaining Kit EU 4m			EU	4.0		6160.0127
2578 Retaining Kit US 2m			USA	2.0		6160.0128
2578 Retaining Kit US 4m			USA	4.0		6160.0129

Designation	Appliance Inlet	Cable	Country	Length [m]	Retainer	Order Number
2578 Retaining Kit EU 2m			EU	2.0		6160.0130
2578 Retaining Kit EU 4m			EU	4.0		6160.0131
2578 Retaining Kit US 2m			USA	2.0		6160.0132
2578 Retaining Kit US 4m			USA	4.0		6160.0133
2578 Retaining Kit EU 2m			EU	2.0		6160.0134
2578 Retaining Kit EU 4m			EU	4.0		6160.0135
2578 Retaining Kit US 2m			USA	2.0		6160.0136
2578 Retaining Kit US 4m			USA	4.0		6160.0137
2578 Retaining Kit EU 2m			EU	2.0		6160.0138
2578 Retaining Kit EU 4m			EU	4.0		6160.0139

Other appliance inlet on request

Availability for all products can be searched real-time: <https://www.schurter.com/en/Stock-Check/Stock-Check-SCHURTER>

Packaging unit 100 Pcs

X-ON Electronics

Largest Supplier of Electrical and Electronic Components

Click to view similar products for [AC Power Entry Modules](#) category:

Click to view products by [Schurter](#) manufacturer:

Other Similar products are found below :

[6167.0002](#) [6609100-2](#) [7-6609955-2](#) [FN361-6-06](#) [FN389-4-22](#) [FN9233S1-10-06](#) [FN9233S1-8-06](#) [FN9233S1B-8-06](#) [FN9233S1R-1-06](#)
[FN9233S1R-12-06](#) [FN9233SB-1-06](#) [FN9233SB-12-06](#) [FN9233SB-8-06](#) [FN9233SR-10-06](#) [FN9244B-15-06HI](#) [FN9244EB-3-06](#) [FN9244EB-8-06](#) [FN9244ER-15-06](#) [FN9244ER-8-06](#) [FN9244ES1-8-06](#) [FN9244ESB-8-06](#) [FN9244R-12-06](#) [FN9244S1-12-06](#) [FN9244S1R-3-06](#)
[FN9244SB-8-06](#) [FN9244SR-10-06](#) [FN9244SR-3-06](#) [FN9244SR-6-06](#) [FN9244U-3-06](#) [FN9244U-8-06](#) [PE00SSSXB](#) [Fuse-H-EUR-1](#)
[PM00XD000](#) [15EJMS8](#) [1-6609941-2](#) [200JM6-2](#) [CA121003-6](#) [SK-1015\(F1-5\)](#) [1-6609153-2](#) [FN323-1-05](#) [FN372-2-](#) [FN9233B-8-06](#)
[FN9233EB-1-06](#) [FN9233ES1R-10-06](#) [FN9233S-10-06](#) [FN9233S1B-10-06](#) [FN9233S1B-12-06](#) [FN9233S1B-6-06](#) [FN9233U-6-06](#) [FN9244-6-07](#)