

Cord retaining strain relief snap-in mounting



See below:

[Approvals and Compliances](#)

**Description**

- Screw-on from front side
- Protection against accidental disconnection of power supply cord

**References**

- Alternative: version for screw mounting [2576 retaining kit](#)  
 Component 1: Inlet [2578](#)  
 Component 2: [Retainer](#)  
 Component 3: Power cord with country specific line connector

**Weblinks**

- [pdf data sheet](#), [html datasheet](#), [General Product Information](#), [Approvals](#), [Distributor-Stock-Check](#), [Accessories](#), [Detailed request for product](#), [Video](#)

**Technical Data**

|                                   |  |
|-----------------------------------|--|
| Ratings IEC                       | 2.5 A / 250 VAC; 50 Hz   |
| Ratings UL/CSA                    | 7 A / 125 VAC; 60 Hz   |
| IP-Protection                     | from front side IP20 acc. to IEC 60529                             |
| Protection against electric shock | Suitable for appliances with protection class II acc. to IEC 61140 |

**Approvals and Compliances**

Detailed information on product approvals, code requirements, usage instructions and detailed test conditions can be looked up in [Details about Approvals](#)

SCHURTER products are designed for use in industrial environments. They have approvals from independent testing bodies according to national and international standards. Products with specific characteristics and requirements such as required in the automotive sector according to IATF 16949, medical technology according to ISO 13485 or in the aerospace industry can be offered exclusively with customer-specific, individual agreements by SCHURTER.

**Product standards**

Product standards that are referenced

| Organization | Design                | Standard         | Description   |
|--------------|-----------------------|------------------|---|
|              | Designed according to | IEC 60320-1      | Appliance couplers for household and similar general purposes         |
|              | Designed according to | UL 498           | Standard for Attachment Plugs and Receptacles                         |
|              | Designed according to | CSA C22.2 no. 42 | General Use Receptacles, Attachment Plugs, and Similar Wiring Devices |





**Application standards**

Application standards where the product can be used

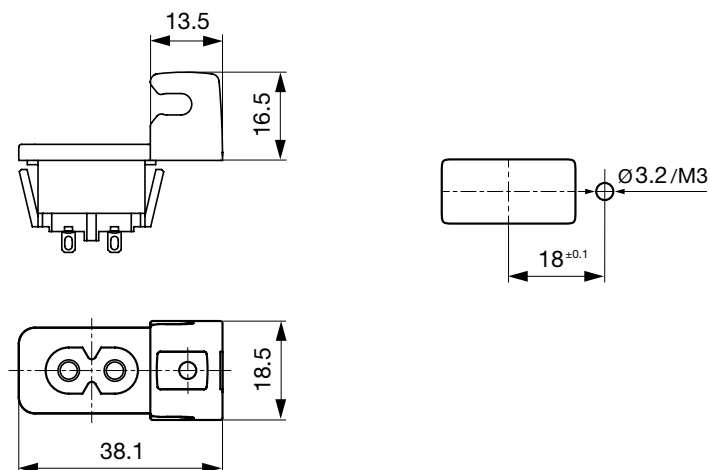
| Organization | Design                         | Standard       | Description  |
|--------------|--------------------------------|----------------|--|
|              | Designed for applications acc. | IEC/UL 62368-1 | IEC 62368-1 includes the basic requirements for safety of audio, video, information technology and office equipment. |

## Compliances

The product complies with following Guide Lines

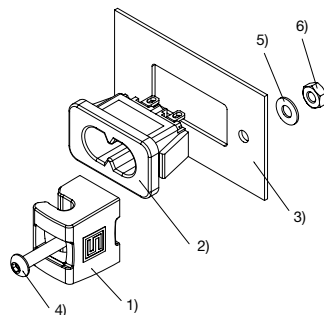
| Identification   | Details                                      | Initiator   | Description   |
|--|--|-------------|---|
|  | <a href="#">CE declaration of conformity</a> | SCHURTER AG | The CE marking declares that the product complies with the applicable requirements laid down in the harmonisation of Community legislation on its affixing in accordance with EU Regulation 765/2008. |
|  | RoHS   | SCHURTER AG | Directive RoHS 2011/65/EU, Amendment (EU) 2015/863  |
|  | China RoHS                                   | SCHURTER AG | The law SJ / T 11363-2006 (China RoHS) has been in force since 1 March 2007. It is similar to the EU directive RoHS.  |
|  | REACH  | SCHURTER AG | On 1 June 2007, Regulation (EC) No 1907/2006 on the Registration, Evaluation, Authorization and Restriction of Chemicals 1 (abbreviated as "REACH") entered into force.                               |

## Dimensions [mm]



Retaining Kit

## Assembly Instructions



- 1) Retainer
- 2) Appliance Inlet
- 3) Panel
- 4) Screws (M3)
- 5) Washer
- 6) Nut (M3)

Screws, nuts and washers are not included in the kit

## Variants kit

| Designation              | Appliance Inlet | Cable | Country | Length [m] | Retainer | Order Number |
|--------------------------|-----------------|-------|---------|------------|----------|--------------|
| 2578 Retaining Kit US 2m |                 |       | USA     | 2.0        |          | 6160.0124    |
| 2578 Retaining Kit US 4m |                 |       | USA     | 4.0        |          | 6160.0125    |
| 2578 Retaining Kit EU 2m |                 |       | EU      | 2.0        |          | 6160.0126    |
| 2578 Retaining Kit EU 4m |                 |       | EU      | 4.0        |          | 6160.0127    |
| 2578 Retaining Kit US 2m |                 |       | USA     | 2.0        |          | 6160.0128    |
| 2578 Retaining Kit US 4m |                 |       | USA     | 4.0        |          | 6160.0129    |

| Designation              | Appliance Inlet | Cable | Country | Length [m] | Retainer | Order Number |
|--------------------------|-----------------|-------|---------|------------|----------|--------------|
| 2578 Retaining Kit EU 2m |                 |       | EU      | 2.0        |          | 6160.0130    |
| 2578 Retaining Kit EU 4m |                 |       | EU      | 4.0        |          | 6160.0131    |
| 2578 Retaining Kit US 2m |                 |       | USA     | 2.0        |          | 6160.0132    |
| 2578 Retaining Kit US 4m |                 |       | USA     | 4.0        |          | 6160.0133    |
| 2578 Retaining Kit EU 2m |                 |       | EU      | 2.0        |          | 6160.0134    |
| 2578 Retaining Kit EU 4m |                 |       | EU      | 4.0        |          | 6160.0135    |
| 2578 Retaining Kit US 2m |                 |       | USA     | 2.0        |          | 6160.0136    |
| 2578 Retaining Kit US 4m |                 |       | USA     | 4.0        |          | 6160.0137    |
| 2578 Retaining Kit EU 2m |                 |       | EU      | 2.0        |          | 6160.0138    |
| 2578 Retaining Kit EU 4m |                 |       | EU      | 4.0        |          | 6160.0139    |

Other appliance inlet on request

Availability for all products can be searched real-time: <https://www.schurter.com/en/Stock-Check/Stock-Check-SCHURTER>

**Packaging unit** 100 Pcs

## X-ON Electronics

Largest Supplier of Electrical and Electronic Components

*Click to view similar products for [AC Power Entry Modules](#) category:*

*Click to view products by [Schurter](#) manufacturer:*

Other Similar products are found below :

[0098.0050](#) [6167.0002](#) [6609100-2](#) [7-6609955-2](#) [FKI2-50-6/M5](#) [FN361-6-06](#) [FN389-4-22](#) [FN9226B-6-02](#) [FN9233S1-10-06](#) [FN9233S1-8-06](#)  
[FN9233S1B-8-06](#) [FN9233S1R-1-06](#) [FN9233S1R-12-06](#) [FN9233SB-1-06](#) [FN9233SB-12-06](#) [FN9233SB-8-06](#) [FN9233SR-10-06](#) [FN9244B-15-06HI](#) [FN9244EB-3-06](#) [FN9244EB-8-06](#) [FN9244ER-15-06](#) [FN9244ER-8-06](#) [FN9244ES1-8-06](#) [FN9244ESB-8-06](#) [FN9244R-12-06](#)  
[FN9244S1-12-06](#) [FN9244S1R-3-06](#) [FN9244SB-8-06](#) [FN9244SR-6-06](#) [FN9244U-3-06](#) [FN9244U-8-06](#) [8-6609940-2](#) [PE00SSSXB](#) [Fuse-H-EUR-1](#) [Fuse-H-USA-1](#) [PM00XD000](#) [A-0701-HT-H](#) [15EJMS8](#) [1-6609941-2](#) [200JM6-2](#) [CA121003-6](#) [SK-1015\(F1-5\)](#) [161-R3015-E](#) [1-6609153-2](#) [FN323-1-05](#) [FN9233B-8-06](#) [FN9233EB-1-06](#) [FN9233ES1R-10-06](#) [FN9233R-12-06](#) [FN9233S-10-06](#)