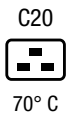


IEC Appliance Inlet C20 with Line Switch, 2-pole



Snap-In Version or Screw-On Version

illuminated version



Description

- Panel Mount:
Screw-on version from front or rear side, snap-in version from front side
- 2 Functions:
Appliance Inlet Protection class I, Line Switch 2-pole
- Quick connect terminals 6.3 x 0.8 mm

Approvals

- VDE Certificate Number: 40001031
- UL File Number: E96454

Characteristics

- All single elements are already wired
Unwired versions available on request
- Line switch non-illuminated or illuminated
- Ideal for application with high transient loads
- Suitable for use in equipment according to IEC/UL 60950

Other versions on request

- Unwired versions
- Line switch with other rocker marking
- For protection class II
- Variant with notch for V-Lock mating Cordsets

References

Alternative: version with line filter [EC12](#)

Weblinks

[pdf-datasheet](#), [html-datasheet](#), [General Product Information](#), [Approvals](#), [CE declaration of conformity](#), [RoHS](#), [CHINA-RoHS](#), [REACH](#), [Mating Connectors](#), [e-Shop](#), [SCHURTER-Stock-Check](#), [Distributor-Stock-Check](#), [CAD-Drawings](#), [Accessories](#), [Wire Harnessing](#), [Detailed request for product](#)

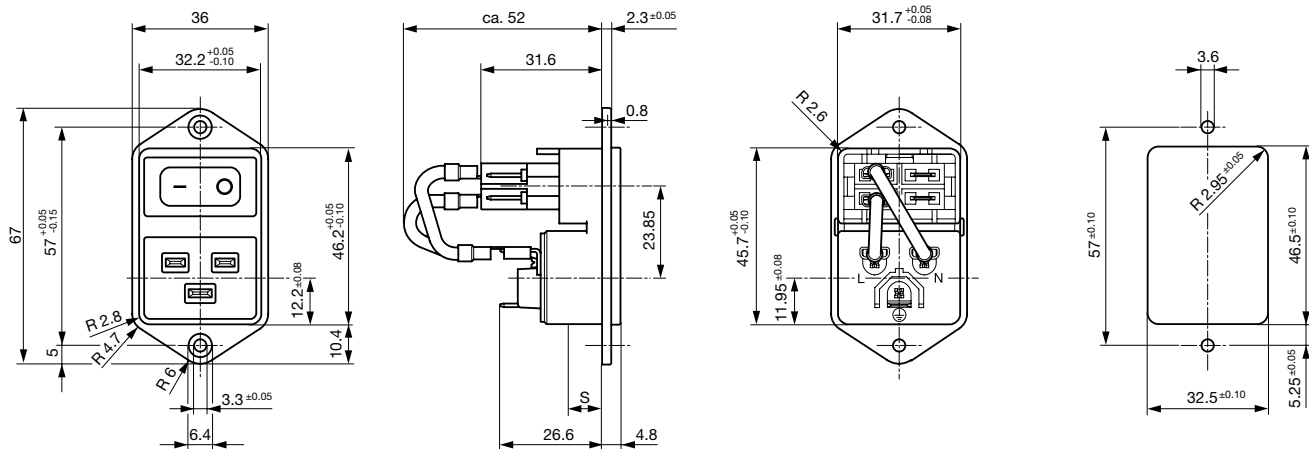
Newly available variants corresponding to V-Lock mating cordset. The connector is equipped with a notch intended for use with the latching cordset. The cord latching system prevents against accidental removal of the cordset.

Technical Data

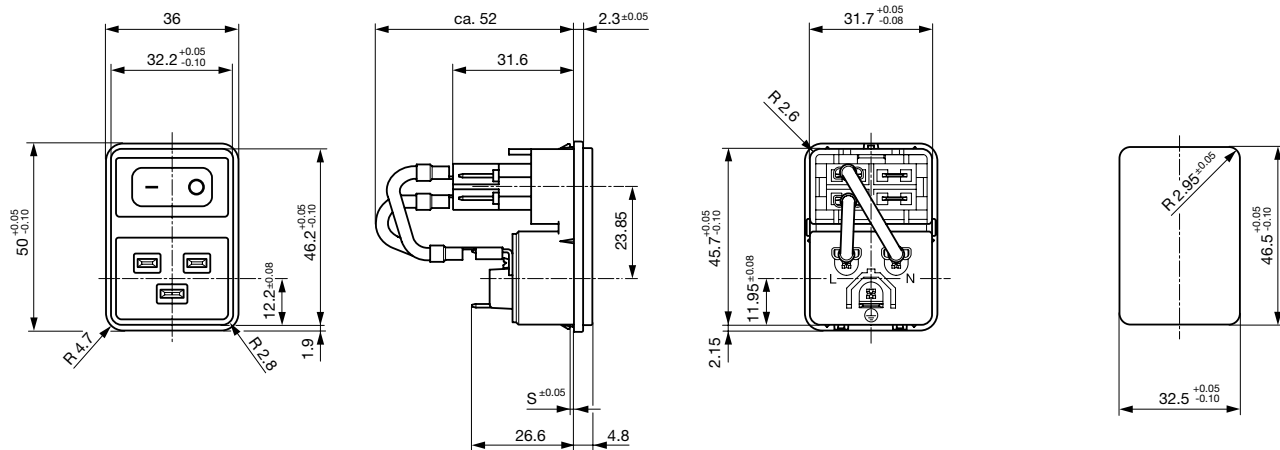
Ratings IEC	16 A / 250 VAC; 50 Hz	Appliance Inlet	C20 acc. to IEC 60320, UL 498, CSA C22.2 no. 42 (for cold conditions) pin-temperature 70 °C, 16 A, Protection Class I
Ratings UL/CSA	20 A / 250 VAC; 60 Hz	Line Switch	Rocker switch 2-pole, non-illuminated or illuminated, acc. to IEC 61058-1 Technical Details
Dielectric Strength	> 2.5 kVAC between L-N > 3 kVAC between L/N-PE (1 min/50 Hz)		
Allowable Operation Temp.	-25 °C to 70 °C		
Degree of Protection	from front side IP 40 acc. to IEC 60529		
Protection Class	Suitable for appliances with protection class I acc. to IEC 61140		
Terminal	Quick connect terminals 6.3 x 0.8 mm		
Panel Thickness s	Screw: max 8 mm Mounting screw torque max 0.5 Nm Snap-in: 1.5/2/2.5 mm		
Material: Housing	Thermoplastic, black, UL 94V-0		

Dimensions

Screw-on mounting

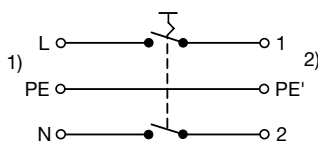


Snap-in mounting



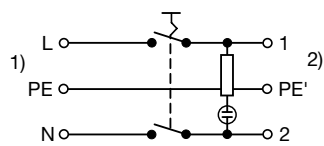
Diagrams

Line switch non-illuminated



- 1) Line
- 2) Load

Line switch illuminated



- 1) Line
- 2) Load

All Variants

Panel mounting	Panel Thickness s [mm]	Illumination	Color	Internally wired	Order Number
Snap-in	1.5	-	-	●	EC11.0001.201
Snap-in	1.5	-	-	-	EC11.0001.202
Snap-in	1.5	●	red	●	EC11.0021.201
Snap-in	1.5	●	red	-	EC11.0021.202
Snap-in	1.5	●	green	●	EC11.0031.201
Snap-in	1.5	●	green	-	EC11.0031.202
Snap-in	2	-	-	●	EC11.0001.301
Snap-in	2	-	-	●	EC11.0001.301.21
Snap-in	2	-	-	-	EC11.0001.302
Snap-in	2	●	red	●	EC11.0021.301
Snap-in	2	●	red	-	EC11.0021.302
Snap-in	2	●	green	●	EC11.0031.301
Snap-in	2	●	green	-	EC11.0031.302
Snap-in	2.5	-	-	●	EC11.0001.401
Snap-in	2.5	-	-	-	EC11.0001.402
Snap-in	2.5	●	red	●	EC11.0021.401
Snap-in	2.5	●	red	-	EC11.0021.402
Snap-in	2.5	●	green	●	EC11.0031.401
Snap-in	2.5	●	green	-	EC11.0031.402
Screw	-	-	-	●	EC11.0001.001.21
Screw	-	-	-	-	EC11.0001.002
Screw	-	●	red	●	EC11.0021.001
Screw	-	●	red	-	EC11.0021.002
Screw	-	●	green	●	EC11.0031.001
Screw	-	●	green	-	EC11.0031.002

Most Popular.

Availability for all products can be searched real-time:<http://www.schurter.com/en/Stock-Check/Stock-Check-SCHURTER>

Suffix "21" corresponds to the version with V-Lock mating cordset. The connector is equipped with a notch intended for use with the latching cordset. The cord latching system prevents against accidental removal of the cordset.

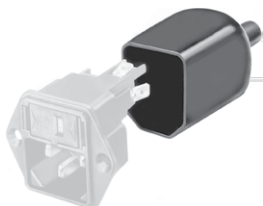
Packaging unit 25 Pcs

Accessories

Description



Wire Harness
Wire harness for SCHURTER products



Assorted Covers
Rear Cover

0859.0076



Cord retaining kits
Cord retaining strain relief

Flat head, Z	0888.0021
Flat head, H	4700.0008

Mating Outlets/Connectors

Category / Description

Connector Overview complete



IEC Connector C19, Rewireable, Straight	4795
IEC Connector C19, Rewireable, Angled	4790
IEC Connector C19, Rewireable, Straight	0104U

Connector further types to EC11

Power Supply Cord Overview complete



Cord Sets 10 A, North America, 3.0 m, Connector IEC C13, cord end:	4300.0920
Cord Sets 16 A, Europlug, 2.5 m, Connector IEC C19, cord end:	6004.0395
Cord Sets 16 A, North America, 2.5 m, Connector IEC C19, cord end:	6009.5195

Power Supply Cord further types to EC11

Power Supply or Interconnection Cord Overview complete

Kabelverbindung 16 A, diverse, 2.5 m, Connector IEC C19, cord end:	6003.0395
--	-----------

Power Supply or Interconnection Cord further types to EC11

Mating Outlets/Connectors shuttered



Power Cord Overview complete

Overview Power Cord with IEC Appliance Connector C19, V-Lock, straight	VAC19KS
--	---------

Power Cord further types to EC11

X-ON Electronics

Largest Supplier of Electrical and Electronic Components

Click to view similar products for [schurter](#) manufacturer:

Other Similar products are found below :

[4420.0380](#) [4310.0028](#) [0034.7115](#) [0040.1102](#) [0001.1007.PT](#) [0034.3406](#) [0034.9889](#) [7040.3140](#) [FMAC-0934-3610](#) [FMAD-0931-0810](#) [FMBD-B92B-2512](#) [FMW-65-0005](#) [1241.3663](#) [1241.2506](#) [1301.9211](#) [DC11.0001.301](#) [9632.5100](#) [FMBC-0994-1000](#) [3-101-015](#) [TA35-C324L080C0](#)
[4400.0344](#) [4420.0361](#) [4752.4000](#) [5500.2225](#) [5500.2605.01](#) [3404.2330.11](#) [3405.0176.11](#) [KD13.1101.105](#) [4303.1061](#) [4420.0210](#) [4430.1129](#)
[4430.1892](#) [DKIP-0229-1005](#) [091132B](#) [5500.2267](#) [6162.0083](#) [8020.5081](#) [5110.1043.1](#) [5120.1006.0.21](#) [5130.2101](#) [CD24.4101.151](#)
[CD44.4199.151](#) [AS168X-CB2H030](#) [6136.0137.0210](#) [FMBC-A91C-1610](#) [FMAC-0932-2510](#) [1068.1012.1110001](#) [DD12.9111.111](#)
[DD12.4321.111](#) [TA35-CFTBLJ04C0](#)