

IEC Appliance Inlet C14 with Fuseholder 1- or 2-pole, Line Switch 2-pole and Voltage Selector

Standard or Medical Fuse drawer



Order required accessories separately



### Description

- Panel Mount:  
Screw-on version from front or rear side, snap-in version from front side
- 4 Functions:  
Appliance Inlet Protection class I, Line Switch 2-pole, Fuseholder with interchangeable fuse drawer for Fuse-links 5x20 mm or 6.3x32 mm, with or without voltage selector (step)
- Quick connect terminals 4.8 x 0.8 mm

### Approvals

- VDE Certificate Number: 40029908
- UL File Number: E93617
- CSA File Number: 38456
- CCC File Number: 2010010204409773

### Characteristics

- All single elements are already wired
- The fuse drawer "Fingergrip" can be removed by hand
- Suitable for use in equipment according to IEC/UL 60950

### Other versions on request

- Line switch, illuminated
- Line switch with other rocker marking
- Line switch 1-pole
- For protection class II

### References

Alternative: version with line filter [CD](#)

### Weblinks

[pdf-datasheet](#), [html-datasheet](#), [General Product Information](#), [Approvals](#), [CE declaration of conformity](#), [RoHS](#), [CHINA-RoHS](#), [REACH](#), [Mating Connectors](#), [e-Shop](#), [SCHURTER-Stock-Check](#), [Distributor-Stock-Check](#), [CAD-Drawings](#), [Accessories](#), [Wire Harnessing](#), [Detailed request for product](#)

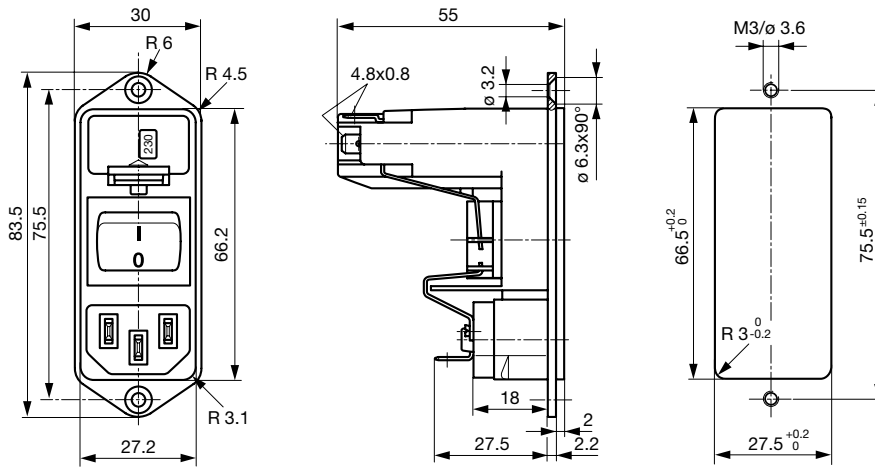
Newly available variants corresponding to V-Lock mating cordset. The connector is equipped with a notch intended for use with the latching cordset. The cord latching system prevents against accidental removal of the cordset.

### Technical Data

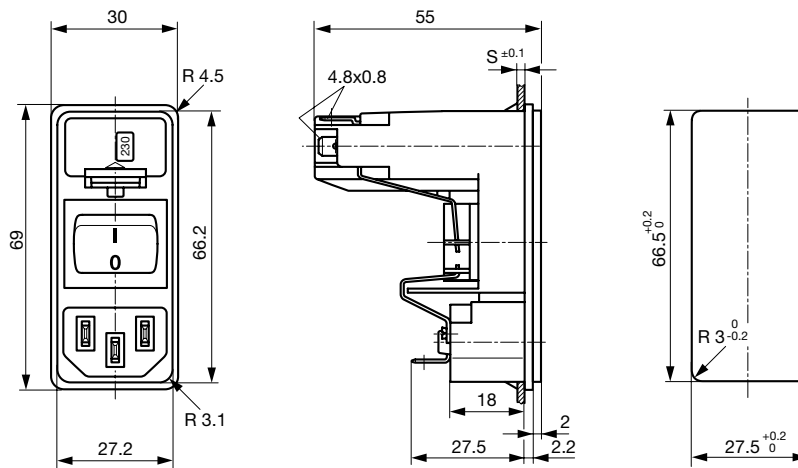
|                           |  |                                   |  |
|---------------------------|--|-----------------------------------|--|
| Ratings IEC               | 10A / 250VAC; 50Hz   | Appliance Inlet                   | C14 acc. to IEC 60320, UL 498, CSA C22.2 no. 42 (for cold conditions) pin-temperature 70 °C, 10A, Protection Class I |
| Ratings UL/CSA            | 10A / 125VAC; 60Hz   | Fuseholder                        | 1 or 2 pole, Shocksafe category PC2 acc. to IEC 60127-6, for fuse-links 5 x 20 or 6.3 x 32 mm                        |
| Dielectric Strength       | > 3 kVAC between L-N<br>> 4 kVAC between L/N-PE<br>(1 min/50Hz)              | Rated Power Acceptance @ Ta 23 °C | 5 x 20: 2.5W (1 pole)/ 2W (2-pole) per pole<br>6.3 x 32: 3.15W (1 pole)/ 2.5W (2-pole) per pole                      |
| Allowable Operation Temp. | -25 °C to 70 °C  | Power Acceptance @ Ta > 23 °C     | Admissible power acceptance at higher ambient temperature see derating curves  |
| Degree of Protection      | from front side IP 40 acc. to IEC 60529                                      | Line Switch                       | Rocker switch 2-pole, non-illuminated, acc. to IEC 61058-1<br><a href="#">Technical Details</a>                      |
| Protection Class          | Suitable for appliances with protection class I acc. to IEC 61140            | Voltage Selector                  | optional, step, 2-4 digits   |
| Terminal                  | Quick connect terminals 4.8 x 0.8 mm, tin-plated                             |                                   |  |
| Panel Thickness s         | Screw: max 8 mm<br>Mounting screw torque max 0.5 Nm<br>Snap-in: 1.5/2/2.5 mm |                                   |  |
| Material: Housing         | Thermoplastic, black, UL 94V-0   |                                   |  |

**Dimensions**

Screw-on mounting



Snap-in mounting



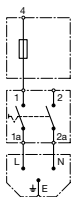
**Diagrams**

without voltage selector

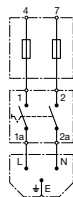
without voltage selector

with voltage selector

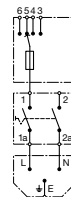
with voltage selector



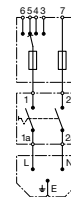
1-pole



2-pole



1-pole

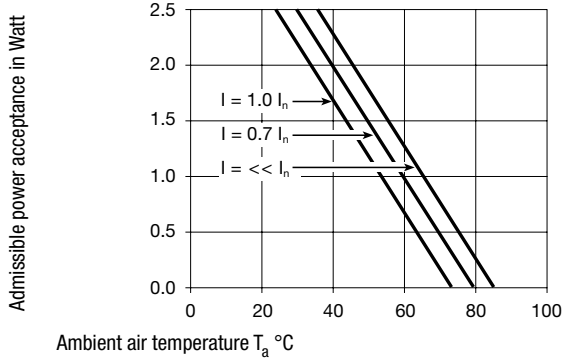


2-pole

## Derating Curves

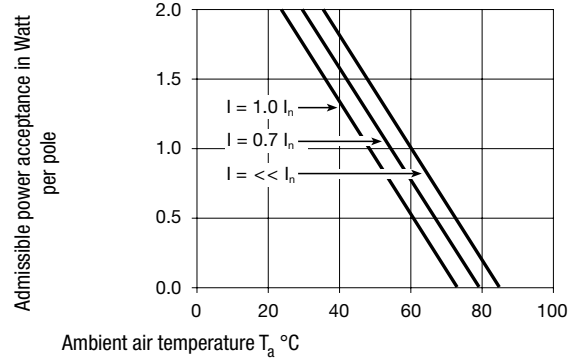
Fuses

5 x 20 mm (1-pole)



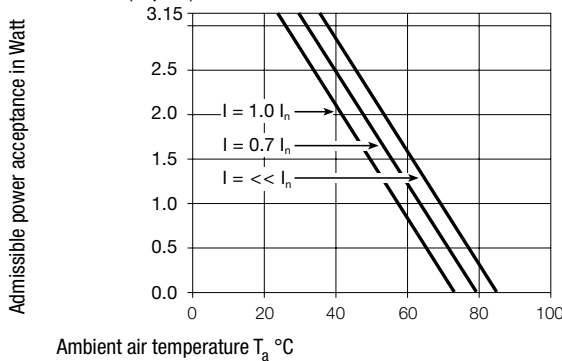
Fuses

5 x 20 mm (2-pole, per pole)



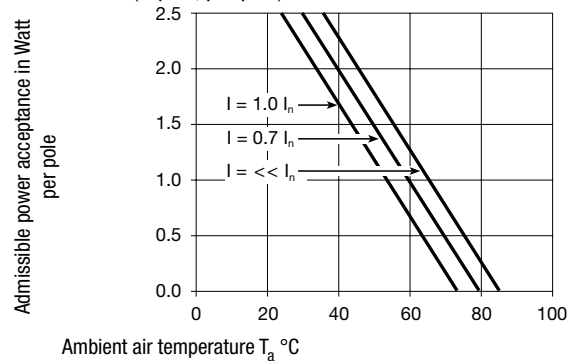
Fuses

6.3 x 32 mm (1-pole)



Fuses

6.3 x 32 mm (2-pole, per pole)



## All Variants

| Type | Panel mounting | Panel Thickness s [mm] | Fuseholder | Line Switch   | Voltage selector max. 4 pos* | Order Number                     |
|------|----------------|------------------------|------------|---------------|------------------------------|----------------------------------|
| KD   | Snap-in        | 1.5                    | 1-pole     | Rocker switch | -                            | <a href="#">KD13.1101.105</a>    |
| KD   | Snap-in        | 2                      | 1-pole     | Rocker switch | -                            | <a href="#">KD13.1101.107</a>    |
| KD   | Snap-in        | 2.5                    | 1-pole     | Rocker switch | -                            | <a href="#">KD13.1101.109</a>    |
| KD   | Snap-in        | 1.5                    | 1-pole     | Rocker switch | 2-4 digits                   | <a href="#">KD13.4101.105</a>    |
| KD   | Snap-in        | 2                      | 1-pole     | Rocker switch | 2-4 digits                   | <a href="#">KD13.4101.107</a>    |
| KD   | Snap-in        | 2.5                    | 1-pole     | Rocker switch | 2-4 digits                   | <a href="#">KD13.4101.109</a>    |
| KD   | Snap-in        | 1.5                    | 2-pole     | Rocker switch | -                            | <a href="#">KD14.1101.105</a>    |
| KD   | Snap-in        | 2                      | 2-pole     | Rocker switch | -                            | <a href="#">KD14.1101.107</a>    |
| KD   | Snap-in        | 2.5                    | 2-pole     | Rocker switch | -                            | <a href="#">KD14.1101.109</a>    |
| KD   | Snap-in        | 1.5                    | 2-pole     | Rocker switch | 2-4 digits                   | <a href="#">KD14.4101.105</a>    |
| KD   | Snap-in        | 2                      | 2-pole     | Rocker switch | 2-4 digits                   | <a href="#">KD14.4101.107</a>    |
| KD   | Snap-in        | 2.5                    | 2-pole     | Rocker switch | 2-4 digits                   | <a href="#">KD14.4101.109</a>    |
| KD   | Screw          | -                      | 1-pole     | Rocker switch | -                            | <a href="#">KD13.1101.151</a>    |
| KD   | Screw          | -                      | 1-pole     | Rocker switch | 2-4 digits                   | <a href="#">KD13.4101.151</a>    |
| KD   | Screw          | -                      | 2-pole     | Rocker switch | -                            | <a href="#">KD14.1101.151</a>    |
| KD   | Screw          | -                      | 2-pole     | Rocker switch | -                            | <a href="#">KD14.1101.151.21</a> |
| KD   | Screw          | -                      | 2-pole     | Rocker switch | 2-4 digits                   | <a href="#">KD14.4101.151</a>    |

Most Popular.

Availability for all products can be searched real-time: <http://www.schurter.com/en/Stock-Check/Stock-Check-SCHURTER>

Can be used as 2-/3-position voltage selector - take only corresponding terminals

Suffix ".21" corresponds to the version with V-Lock mating cordset. The connector is equipped with a notch intended for use with the latching cordset. The cord latching system prevents against accidental removal of the cordset.

**Packaging unit** 20 Pcs

Required Accessory

Description



[Fusedrawer 3](#)

Fusedrawer for Fuse Links 5x20 mm resp. 6.3x32 mm

|   |              |
|---|--------------|
| Fingerrip, 5 x 20, 2-pole, Voltage Selector                     | 4303.2014.00 |
| Fingerrip, 5 x 20, 2-pole, Voltage Selector, 100, 120, 220, 240 | 4303.2014.01 |
| Fingerrip, 5 x 20, 2-pole, Voltage Selector, 110, 150, 220      | 4303.2014.02 |
| Fingerrip, 5 x 20, 2-pole, Voltage Selector, 110, 220           | 4303.2014.03 |

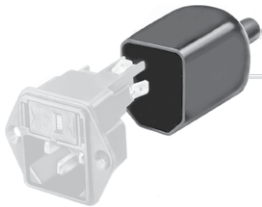
...

Accessories



[Wire Harness](#)

Wire harness for SCHURTER products



[Assorted Covers](#)

Rear Cover

0859.0074



[Cord retaining kits](#)

Cord retaining strain relief

Flat head, A

4700.0001

Mating Outlets/Connectors

Category / Description

[Appliance Outlet Overview complete](#)



|   |      |
|---|------|
| IEC Appliance Outlet F, Screw-on Mounting, Front Side, Solder Terminal                            | 4787 |
| IEC Appliance Outlet F, Snap-in Mounting, Front Side, Solder or Quick-connect Terminal            | 4788 |
| IEC Appliance Outlet F or H, Screw-on Mounting, Front Side, Solder, PCB or Quick-connect Terminal | 5091 |

[Appliance Outlet further types to KD](#)

[Connector Overview complete](#)



|  |         |
|--|---------|
| 4782 Mounting: Power Cord, 3 x 1 mm <sup>2</sup> / 3 x 18 AWG, Cable, Connector: IEC C13     | 4782    |
| 4022 Mounting: Power Supply Cord, 3 x 1.5 mm <sup>2</sup> , Screw clamps, Connector: IEC C13 | 4022    |
| 4785 Mounting: Power Cord, 3 x 1 mm <sup>2</sup> / 3 x 18 AWG, Cable, Connector: IEC C13     | 4785    |
| 4300-06 Mounting: Power Cord, 3 x 1 mm <sup>2</sup> / 3 x 18 AWG, Cable, Connector: IEC C13  | 4300-06 |
| 4012 Mounting: Power Supply Cord, 3 x 1.5 mm <sup>2</sup> , Screw clamps, Connector: IEC C13 | 4012    |

[Connector further types to KD](#)

...

## Mating Outlets/Connectors shuttered

[Power Cord Overview complete](#)



|   |           |
|---|-----------|
| VAC17KS, North America, 2.0 m, Connector C17, cord end: | 6051.2801 |
| VAC17KS, Europlug, 2.0 m, Connector IEC C17, cord end:  | 6051.2803 |
| VAC17KS, Europlug, 2.0 m, Connector IEC C17, cord end:  | 6051.2813 |
| VAC13KS, Overview, diverse Connector IEC C13, cord end: | VAC13KS   |

[Power Cord further types to KD](#)

## X-ON Electronics

Largest Supplier of Electrical and Electronic Components

*Click to view similar products for [schurter](#) manufacturer:*

Other Similar products are found below :

[4420.0380](#) [4310.0028](#) [0034.7115](#) [0040.1102](#) [0001.1007.PT](#) [0034.3406](#) [0034.9889](#) [7040.3140](#) [FMAC-0934-3610](#) [FMAD-0931-0810](#) [FMBD-B92B-2512](#) [FMW-65-0005](#) [1241.3663](#) [1241.2506](#) [1301.9211](#) [DC11.0001.301](#) [9632.5100](#) [FMBC-0994-1000](#) [3-101-015](#) [4400.0344](#)  
[4420.0361](#) [4752.4000](#) [5500.2605.01](#) [3404.2330.11](#) [3405.0176.11](#) [KD13.1101.105](#) [4303.1061](#) [4420.0210](#) [4430.1129](#) [4430.1892](#) [DKIP-0229-1005](#) [091132B](#) [5500.2267](#) [6162.0083](#) [8020.5081](#) [5120.1006.0.21](#) [5130.2101](#) [CD24.4101.151](#) [CD44.4199.151](#) [AS168X-CB2H030](#)  
[6136.0137.0210](#) [FMBC-A91C-1610](#) [FMAC-0932-2510](#) [1068.1012.1110001](#) [GSP1.8101.1](#) [TA35-CFTBLJ04C0](#) [1241.2903.002](#)  
[1241.6623.1124000](#) [1241.3008](#) [0001.2535](#)