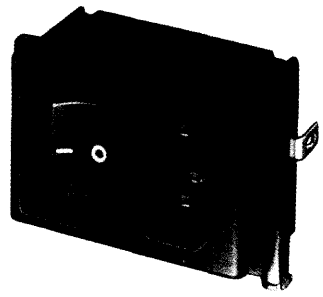


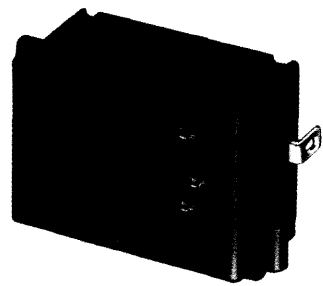
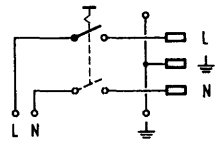
KP Pcb Mount, Snap-in or Screw-on • AC Inlet • AC Outlet • On / off Line Switch
Fuseholder for 5 x 20mm Fuses



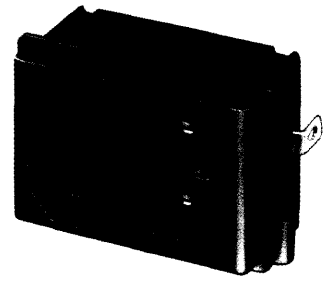
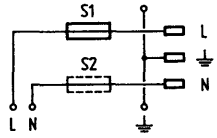
MULTIFIT



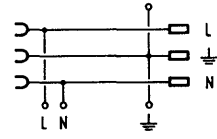
AC inlet / switch



AC inlet / fuseholder



AC inlet / outlet



- Power entry module with line switch, fuseholder or inlet/outlet
- For "cold" connections 65° C, Protection Class I (with ground pin).
- Pcb mount with snap-in or screw-on feet (self-tapping M3 screws provided, \varnothing 3 x 8mm)
- Panel mount from rear or "sandwich" between top and bottom / side to side panels
- Single or double pole shocksafe fuseholder according to IEC 65/VDE 0860 for 5 x 20mm fuses
- Integral 1-pole SPST on/off line switch or 2-pole DPST switch (70A/3-4ms in-rush max.; 10,000 cycles lifetime)
- Insulation cover in back protects against inadvertent electric contact
- Ground terminal solder/quick-connect .187 x .032" (4.8 x 0.8mm) or .250 x .032" (6.3 x 0.8mm)
- 0.5 Nm screw torque required for screw-on type
- Max. power dissipation 2 watts (1-pole fusing) or 1.6 watts (2-pole fusing) according to IEC 127-6. For additional values P_v in function of T_{amb} , see page 5.
- For materials, options and accessories please see page 30
- For inlets with piggy-back fuse clips see GSF, page 13-14

		Inlet / switch		Inlet / outlet	
UL	recognition	15A/250V ¹⁾	File #E96454	10A/250V ²⁾	File #E103791
CSA	certification	15A/250V ¹⁾	File #LR38456	10A/250V ²⁾	File #LR38456
VDE	approval	10A/250V ³⁾	File #83482	10A/250V	File #83482
SEMKO	approval	10A/250V ³⁾		10A/250V	File numbers on request
SEV	approval	10A/250V ³⁾		10A/250V	

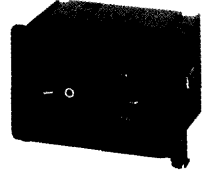
¹⁾ document update pending; 15A/250V with 1 1/2 HP, 15A/125V with 3/4 HP
²⁾ 15A/250V pending ³⁾ 4A inductive load

		Inlet / fuseholder	
UL	recognition	10A/250V	File #E93617
CSA	certification	10A/250V	File #LR38456
VDE	approval	10A/250V	File #83482
SEMKO	approval	10A/250V	File numbers on request
SEV	approval	10A/250V	

Optional "back-pack" filter (see KPF, pg. 55)



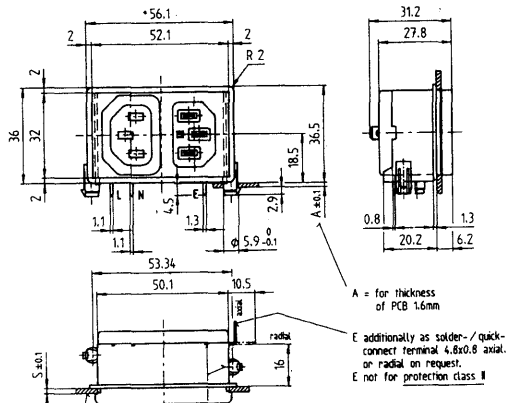
Optional "back-pack" surge protector (see KPS, pg. 55)



Cascading multi-function design streamlines packaging

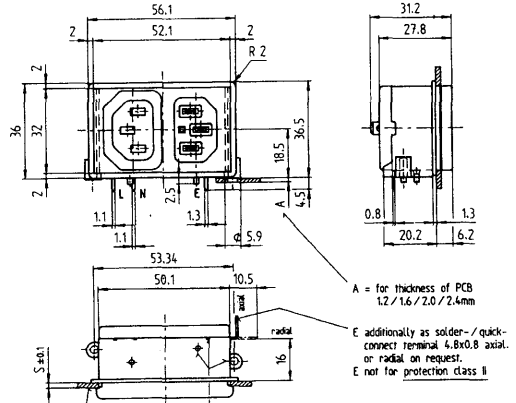
Standards: IEC 320/C14/F; IEC 127-6; EN 60320; EN 60127-6. Fusedrawer meets tool-only accessibility requirements of medical standards IEC 601-1, BS5724 part 1, DIN/VDE 0750 part 1.

Snap-in pcb mounting



see next page for drilling diagram and panel cut-out

Screw-on pcb mounting



see next page for drilling diagram and panel cut-out

X-ON Electronics

Largest Supplier of Electrical and Electronic Components

Click to view similar products for [AC Power Entry Modules](#) category:

Click to view products by [Schurter](#) manufacturer:

Other Similar products are found below :

[0098.0050](#) [6167.0002](#) [6609100-2](#) [7-6609955-2](#) [FKI2-50-6/M5](#) [FN361-6-06](#) [FN389-4-22](#) [FN9226B-6-02](#) [FN9233S1-10-06](#) [FN9233S1-8-06](#)
[FN9233S1B-8-06](#) [FN9233S1R-1-06](#) [FN9233S1R-12-06](#) [FN9233SB-1-06](#) [FN9233SB-12-06](#) [FN9233SB-8-06](#) [FN9233SR-10-06](#) [FN9244B-15-06HI](#) [FN9244EB-3-06](#) [FN9244EB-8-06](#) [FN9244ER-15-06](#) [FN9244ER-8-06](#) [FN9244ES1-8-06](#) [FN9244ESB-8-06](#) [FN9244R-12-06](#)
[FN9244S1-12-06](#) [FN9244S1R-3-06](#) [FN9244SB-8-06](#) [FN9244SR-6-06](#) [FN9244U-3-06](#) [FN9244U-8-06](#) [8-6609940-2](#) [PE00SSSXB](#) [Fuse-H-EUR-1](#) [Fuse-H-USA-1](#) [PM00XD000](#) [A-0701-HT-H](#) [15EJMS8](#) [1-6609941-2](#) [200JM6-2](#) [CA121003-6](#) [SK-1015\(F1-5\)](#) [161-R3015-E](#) [1-6609153-2](#) [FN323-1-05](#) [FN9233B-8-06](#) [FN9233EB-1-06](#) [FN9233ES1R-10-06](#) [FN9233R-12-06](#) [FN9233S-10-06](#)