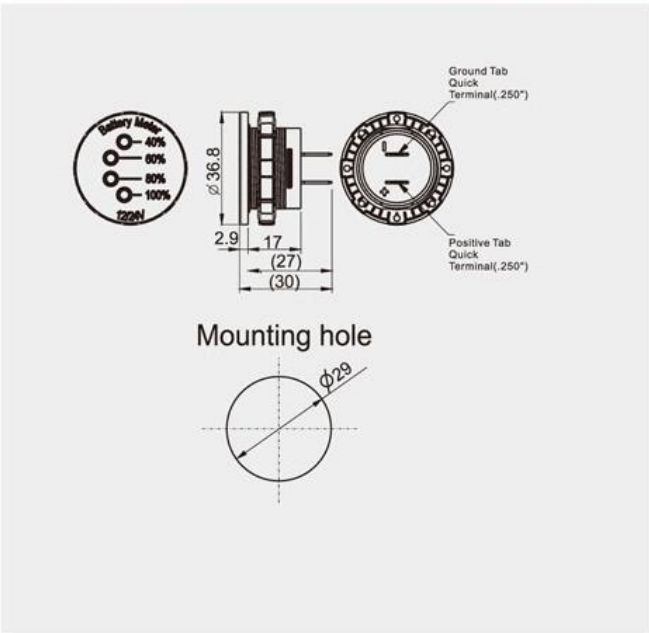


A25-4



FEATURES

LED INDICATORS DC VOLTMETER

* RATING

Input voltage: 7V-33V DC.

* MATERIAL

Housing: nylon with glass fiber.(UL 94-HB).

* 4 LEDs indicate different levels of battery power.

* Reverse polarity protection.

* Surge protection up to 400W/35V.

* With 6.3 mm snap-in terminals.

* Mounting hole : $\varnothing 29$ mm.

* Optional accessory: single / dual / triple mounting panel & surface mount cases.

Voltage		12V	24V
LED Display			
40% ON	R	11.4V~11.8V	22.7V~23.6V
60% ON	A	11.8V~12.3V	23.6V~24.6V
80% ON	Y	12.3V~12.7V	24.6V~25.3V
100% ON	G	12.7V~16.0V	25.3V~32.0V



* The specification subject to change without notice. The drawing is for reference only.

X-ON Electronics

Largest Supplier of Electrical and Electronic Components

Click to view similar products for [Standard Circular Connector](#) category:

Click to view products by [SCI manufacturer](#):

Other Similar products are found below :

[C015](#) [10F006](#) [001](#) [1](#) [5M2530B10P](#) [600259N006](#) [600273N007](#) [600432N009](#) [6280-2PG-519](#) [6280-3PG-311](#) [6280-3SG-311](#) [6280-7SG-3DC](#)
[6280-7SG-522](#) [6282-5PG-311](#) [6282-6PG-519](#) [6282-8SG-311](#) [6283-11](#) [6283-15](#) [6290](#) [6382-2PG-311](#) [6382-2PG-3DC](#) [6382-2SG-321](#) [6382-2SG-3DC](#) [6382-4SG-516](#) [67-03E20-37P](#) [681-PMG](#) [CXS3102A14S2P](#) [CXS3102A181S](#) [CXS3106A14S6S](#) [MB12P-1](#) [MB12R-6](#) [7251-2PG-300](#) [7251-2SG-300](#) [7251-4PG-300](#) [7251-4SG-300](#) [7251-5PG-300](#) [7251-5SG-300](#) [7251-6SG-300](#) [7251-7PG-300](#) [7251-8PG-300](#) [7271-6SG-300](#) [7282-3PG-300-CH3](#) [73000005663](#) [75-190216-08S](#) [75-190218-10P](#) [75-474118-10P](#) [75-474618-01S](#) [75-474620-07P](#) [799539-000](#) [MI8-SE](#) [80-190222-18P](#) [805-005-07NF11-19PC](#) [805-005-07NF15-7PA](#)