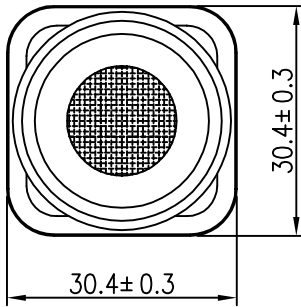
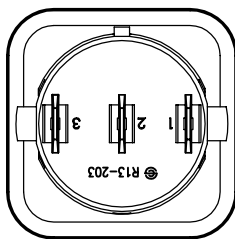
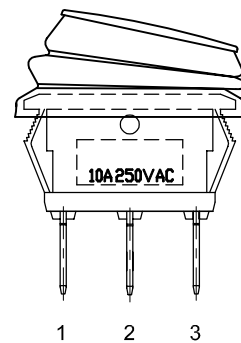
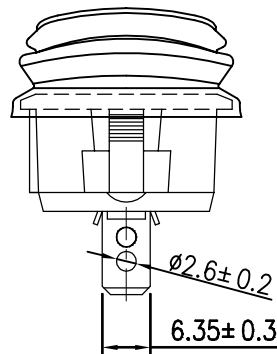
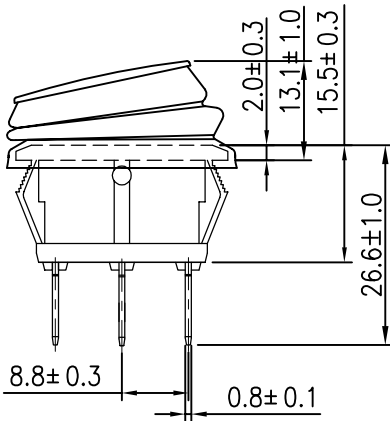


| | | | |
|-----------------------|-------------------------|----------------------|--|
| Rating | 10A 250V AC | | |
| Contact Resistance | 50m ohm Max. | | |
| Insulation Resistance | DC 500V 100M ohm Min. | | |
| Dielectric Strength | AC 1500V 1 minute | | |
| Operation Temperature | -25° C~85° C | | |
| Switch Function | 3P SPST ON-OFF With LED | Thickness 1.0~3.0 mm | |



*MATERIAL:
 Frame: Black, Nylon 66 (94-V2)
 Actuator: Green, PC (94-V2)
 Terminals: Silver plated, Copper alloy
 Waterproof Rubber: Silicone
 *Waterproof: IP65



Tolerance:±0.3mm unless otherwise specified

C8\R13\R13-203B84-01-BGGN5

| | | | | | | | | |
|-----------|-----------|-------------|--------------|---------|--------------------------------|---------------------|------|----|
| | | | | | | | | △ |
| | | | | | | | | △ |
| Date | Name | Description | | | | | | NO |
| Drawn | Checked | Approved | SCI BOM No. | 1825253 | Model Name | ROCKER SWITCH | | |
| 曹盈芳 | 蘇崇仁 | 王佰山 | Customer No. | | Model No. | R13-203B84-01-BGGN5 | Rev. | |
| 11/21/'11 | 11/21/'11 | 11/22/'11 | Unit | mm | Shin Chin Industrial Co., Ltd. | | | 0 |

X-ON Electronics

Largest Supplier of Electrical and Electronic Components

Click to view similar products for [Rocker Switches](#) category:

Click to view products by [SCI manufacturer](#):

Other Similar products are found below :

[VKD2GHNB-00000-000](#) [VSD2GNNB-00000-000](#) [6-1571986-5](#) [6-1571986-9](#) [7036WWCDBX653+U622](#) [8055K52Z7V](#) [8138K20E6M50](#)
[FMC18A2200002](#) [84206L](#) [84312LX](#) [PREDD4-07F-BB0FW](#) [PREDD5-07F-BB0GW](#) [PRFDD1-16F-BB000](#) [PRFDD3-16F-BB000](#) [1-](#)
[1634201-0](#) [999-16702-001](#) [A101J2ZQ004](#) [A101J4ZQ004](#) [A101J51CB0004](#) [A107J51ZQ0004](#) [A201J1AQ004](#) [A201J1AV2Q004](#)
[A201J3ZB004](#) [A201J50ZQ004](#) [A203J51ZQ0004](#) [A226L11YZQ](#) [A22L11A](#) [A435S1YZQ](#) [H8500XBBBBL-A](#) [H8653VBBG2577W](#)
[HB130CHNWWNAAC](#) [1251.0303](#) [AE205J60V3B004](#) [RH110C2NBB](#) [1352.0107](#) [1363.0201](#) [AML25GBF2AA03GR](#) [1571099-3](#) [1571987-4](#)
[1571987-5](#) [1571989-7](#) [B123J77V7B2](#) [B226J50W4Q22P](#) [B433J37ZQ22M](#) [160212E](#) [1801.1164](#) [1831.1102](#) [1833.3402](#) [1837.1118](#) [1838.8302](#)