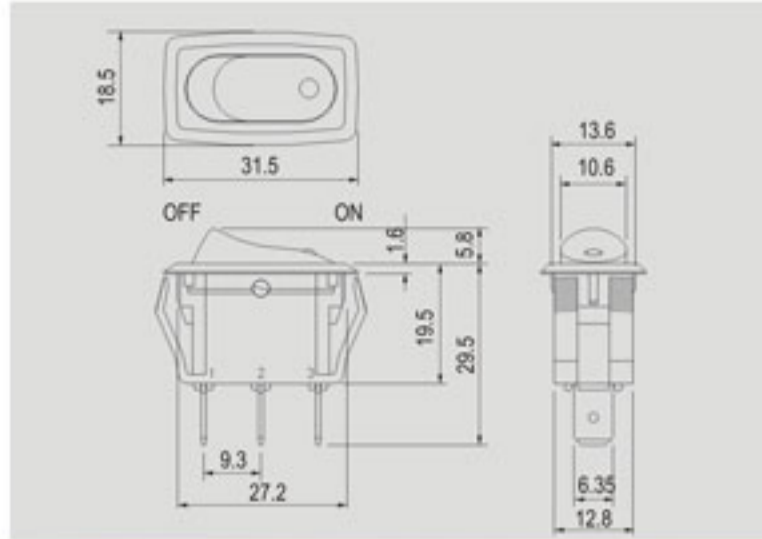


# R13-238



Rating
20A 125V AC 1/3HP • 16A 250V AC 1/2HP 10(4) 250V-T85
Contact resistance
50mΩ Max
Insulation resistance
DC 500V 100MΩ Min
Dielectric strength
AC 1500V 1 minute
Cut-out
X
Y

## FEATURES

- \* MATERIAL: Frames are nylon (UL flame: 94V-2). Terminals are silver plated brass.
- \* Illuminated actuators are molded in PC, available with red, amber and green colors.
- \* Snap-in mounting, easy to install switch into panel.

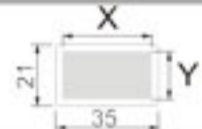
## Ordering number instruction

R13-238 -

FUNCTION	TERMINAL
<b>Different position (動作特性不同)</b>	0 1  .250" SQ
<b>A</b> 2P SPST	0 5  SO N/A for D8/I8
<b>C</b> 3P SPDT	
<b>D</b> 3P SPDT	

Terminal	X	Y
0.75-2.5	29.4±0.1	13.8±0.1
2.50-3.5	29.4±0.1	13.8±0.1
3.50-4.5	29.4±0.1	13.8±0.1

## Cut-out for X8 ROCKER



Terminal	X	Y
0.75-2.5	27.6±0.1	13.8±0.1
2.50-3.5	27.8±0.1	13.8±0.1
3.50-4.5	28.0±0.1	13.8±0.1

## Illuminated / Different button (帶燈/按鈕不同)

**B** 3P SPST (NEON)  
125VAC 33KΩ / 250VAC 150KΩ

**B 2** 3P SPST (W/O Lens) (LED)

## Momentary / Illuminated / Different button (彈回/帶燈/按鈕不同)

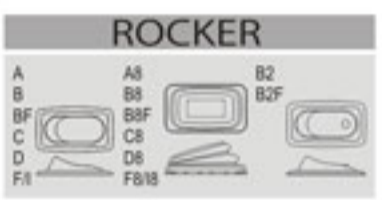
**B F** 3P SPST (NEON)  
125VAC 33KΩ / 250VAC 150KΩ

**B 2 F** 3P SPST (W/O Lens) (LED)

## Momentary (彈回)

**F** 2P SPST

**I** 3P SPDT



## Waterproof (防水)

**A 8** 2P SPST

**B 8** 3P SPST (NEON)  
125VAC 33KΩ / 250VAC 150KΩ

**B 8 F** 3P SPST (NEON)  
125VAC 33KΩ / 250VAC 150KΩ

**C 8** 3P SPDT

**D 8** 3P SPDT

**F 8** 2P SPST

**I 8** 3P SPDT



## X-ON Electronics

Largest Supplier of Electrical and Electronic Components

*Click to view similar products for [Rocker Switches](#) category:*

*Click to view products by [SCI](#) manufacturer:*

Other Similar products are found below :

[VKD2GHNB-00000-000](#) [VSD2GNNB-00000-000](#) [6-1571986-5](#) [6-1571986-9](#) [7036WWCDBX653+U622](#) [8055K52Z7V](#) [8138K20E6M50](#)  
[FMC18A2200002](#) [84206L](#) [84312LX](#) [PREDD4-07F-BB0FW](#) [PREDD5-07F-BB0GW](#) [PRFDD1-16F-BB000](#) [PRFDD3-16F-BB000](#) [1-](#)  
[1634201-0](#) [999-16702-001](#) [A101J2ZQ004](#) [A101J4ZQ004](#) [A101J51CB0004](#) [A107J51ZQ0004](#) [A201J1AQ004](#) [A201J1AV2Q004](#)  
[A201J3ZB004](#) [A201J50ZQ004](#) [A203J51ZQ0004](#) [A226L11YZQ](#) [A22L11A](#) [A435S1YZQ](#) [H8500XBBBBL-A](#) [H8653VBBG2577W](#)  
[HB130CHNWWNAAC](#) [1251.0303](#) [AE205J60V3B004](#) [RH110C2NBB](#) [1352.0107](#) [1363.0201](#) [AML25GBF2AA03GR](#) [1571099-3](#) [1571987-4](#)  
[1571987-5](#) [1571989-7](#) [B123J77V7B2](#) [B226J50W4Q22P](#) [B433J37ZQ22M](#) [160212E](#) [1801.1164](#) [1831.1102](#) [1833.3402](#) [1837.1118](#) [1838.8302](#)