

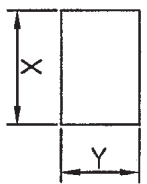
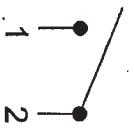
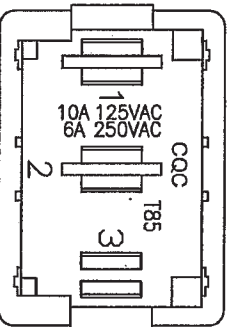
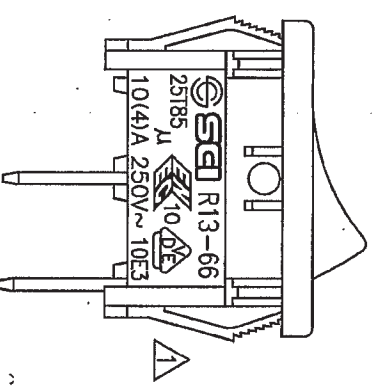
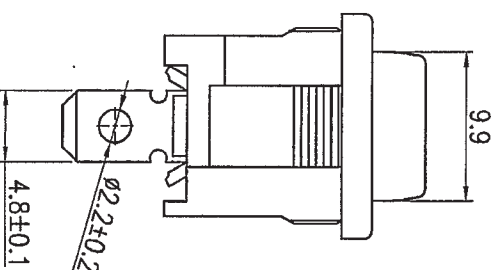
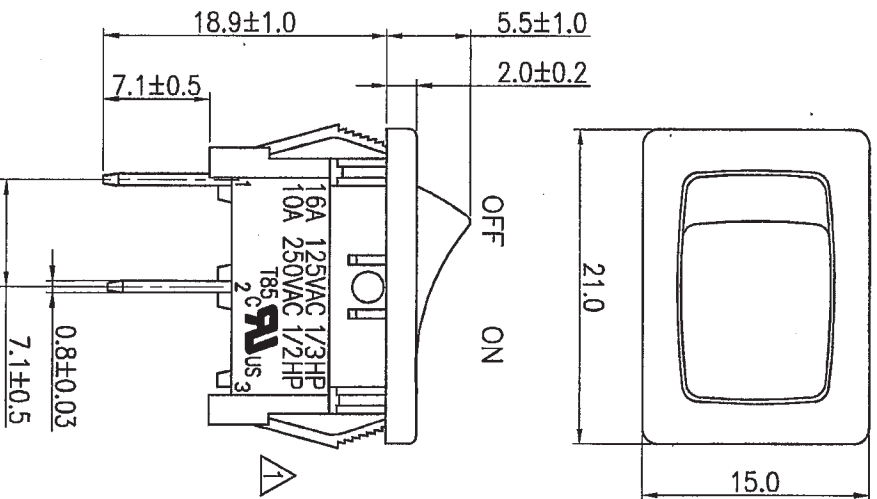


Rating	16A 125VAC 1/3HP 10A 250VAC 1/2HP	 us 785  25T85	Mounting Hole		Circuit Diagram												
	10(4)A 250V~ 10A 125VAC, 6A250VAC CQC T85																
Contact Resistance	50m ohm Max.																
Insulation Resistance	DC 500V 100M ohm Min.																
Dielectric Strength	AC 1500V 1 minute																
Operation Temperature	-25°C-85°C	<table border="1"> <tr> <th>Thickness</th> <th>X</th> <th>Y</th> </tr> <tr> <td>0.75..1.25</td> <td>19.2-0.1</td> <td>13+0.1</td> </tr> <tr> <td>1.25..2</td> <td>19.4-0.1</td> <td>13+0.1</td> </tr> <tr> <td>2..3</td> <td>19.8-0.1</td> <td>13+0.1</td> </tr> </table>	Thickness	X	Y	0.75..1.25	19.2-0.1	13+0.1	1.25..2	19.4-0.1	13+0.1	2..3	19.8-0.1	13+0.1			
Thickness	X	Y															
0.75..1.25	19.2-0.1	13+0.1															
1.25..2	19.4-0.1	13+0.1															
2..3	19.8-0.1	13+0.1															
Switch Function	2P SPST ON-OFF																

Material:  
Frame: Black , Nylon#66  
Actuator: Black,Nylon#66  
Printed:White, hot stamping.



Tolerances ±0.3 Unless Otherwise Specified

Date	7/22/16	Name	周傑輝	Description	依實物更新安規刻字	NO
Drawn	周傑輝	Checked	周傑輝	Model Name	ROCKER SWITCH	Rev.
	7/22/16	Approved	周傑輝	Model No.	R13-66A-02	1
		Customer No.	252-16	Unit	mm	
					Shin Chin Industrial Co., Ltd.	

## X-ON Electronics

Largest Supplier of Electrical and Electronic Components

*Click to view similar products for [Rocker Switches](#) category:*

*Click to view products by [SCI](#) manufacturer:*

Other Similar products are found below :

[VKD2GHNB-00000-000](#) [VSD2GNNB-00000-000](#) [6-1571986-5](#) [6-1571986-9](#) [7036WWCDBX653+U622](#) [8055K52Z7V](#) [8138K20E6M50](#)  
[FMC18A2200002](#) [84206L](#) [84312LX](#) [PREDD4-07F-BB0FW](#) [PREDD5-07F-BB0GW](#) [PRFDD1-16F-BB000](#) [PRFDD3-16F-BB000](#) [1-](#)  
[1634201-0](#) [999-16702-001](#) [A101J2ZQ004](#) [A101J4ZQ004](#) [A101J51CB0004](#) [A107J51ZQ0004](#) [A201J1AQ004](#) [A201J1AV2Q004](#)  
[A201J3ZB004](#) [A201J50ZQ004](#) [A203J51ZQ0004](#) [A226L11YZQ](#) [A22L11A](#) [A435S1YZQ](#) [H8500XBBBBL-A](#) [H8653VBBG2577W](#)  
[HB130CHNWWNAAC](#) [1251.0303](#) [AE205J60V3B004](#) [RH110C2NBB](#) [1352.0107](#) [1363.0201](#) [AML25GBF2AA03GR](#) [1571099-3](#) [1571987-4](#)  
[1571987-5](#) [1571989-7](#) [B123J77V7B2](#) [B226J50W4Q22P](#) [B433J37ZQ22M](#) [160212E](#) [1801.1164](#) [1831.1102](#) [1833.3402](#) [1837.1118](#) [1838.8302](#)