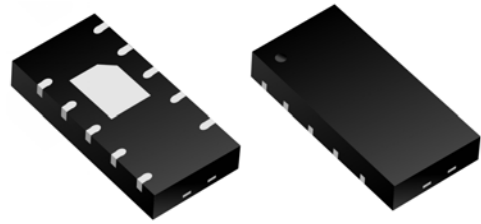


1. Description

The CSL05GA6U is a low capacitance TVS (Transient Voltage Suppressor) array designed to protect high speed data interfaces. It has been specifically designed to protect sensitive electronic components which are connected to data and transmission lines from over-stress caused by ESD (Electrostatic Discharge).



2. Features

- IEC 61000-4-2 (ESD)
 - ±12kV Contact Discharge
 - ±15kV Air Discharge
- IEC 61000-4-5 (Lightning)
 - 4.5A (8/20us)
- IEC 61000-4-4 EFT Protection
 - 40A (5/50ns)
- Solid-state silicon avalanche technology
- Halogen free and RoHS compliant
- Protects two or four I/O lines
- Low clamping voltage
- Low capacitance
- Low leakage current

3. Mechanical Data

- High Definition Multi-Media Interface (HDMI)
- Digital Visual Interface (DVI)
- USB 1.1/2.0/OTG
- IEEE 1394 Firewire Ports
- PCI Express
- Projection TV & Monitors
- Notebooks & Handhelds
- Set-top box
- Flat Panel Displays

4. Ordering Information

Part Number	Package	Marking	Material	Packing	Quantity per reel	Flammability Rating	Reel Size
CSL05GA6U	DFN4120-10L	.5V6U/LOT	Halogen free	Tape & Reel	6,000 PCS	UL 94V-0	7 inches

Table-1 Ordering information

5.Pin Configuration and Functions

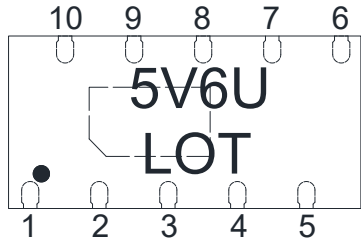
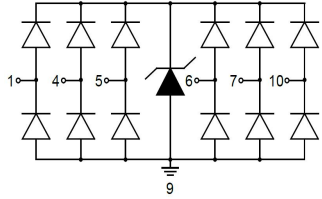
Pin	Name	Description	Outline	Circuit Diagram
1	IO	Connect to IO		
4	IO	Connect to IO		
5	IO	Connect to IO		
6	IO	Connect to IO		
7	IO	Connect to IO		
10	IO	Connect to IO		
9	GND	Connect to GND		
2/3/8	NC	NO Connection		

Table-2 Pin configuration

6. Absolute Maximum rating

Over operating free-air temperature range (unless otherwise noted)

Parameters	Symbol	Min.	Max.	Unit
Peak pulse power (tp=8/20us)@25°C	P _{pk}	-	60	W
Peak pulse current (tp=8/20us)@25°C	I _{PP}	-	4.5	A
ESD (IEC61000-4-2 air discharge) @25°C	V _{ESD}	-	±15	kV
ESD (IEC61000-4-2 contact discharge) @25°C	V _{ESD}	-	±12	kV
Junction temperature	T _J	-	125	°C
Operating temperature	T _{OP}	-40	125	°C
Storage temperature	T _{STG}	-55	150	°C
Lead temperature	T _L	-	260	°C

Table-3 Absolute Maximum rating

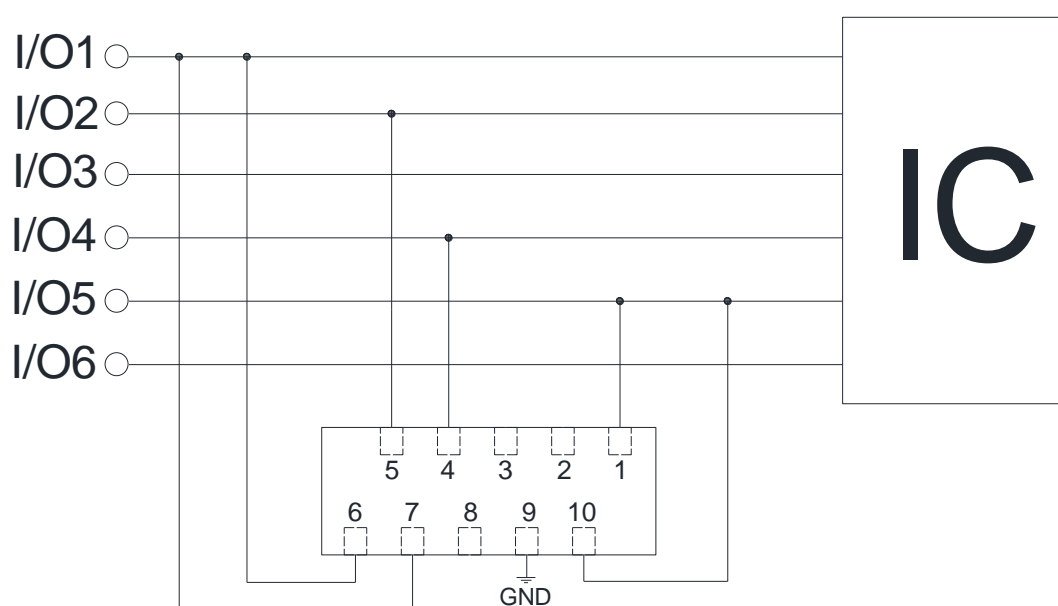
7. Electrical Characteristics

At TA = 25°C unless otherwise noted

Parameters	Symbol	conditions	Min.	Typ.	Max.	Unit
Reverse stand-off voltage	V_{RWM}				5	V
Reverse Breakdown Voltage	V_{BR}	$I_T = 1mA$	6			V
Reverse Leakage Current	I_R	$V_{RWM} = 5V$			1	μA
Peak Pulse Current	I_{PP}	$TP = 8/20\mu s @ 25^\circ C$		4.5		A
Clamping Voltage	V_{CL}	$I_{PP} = 1A; TP = 8/20\mu s$		8.5		
Clamping Voltage	V_{CL}	$I_{PP} = 4.5A; TP = 8/20\mu s$		12		V
Junction capacitance	C_J	I/O pins to ground; $V_R = 0V; f = 1MHz$		0.6		pF
		Between I/O pins; $V_R = 0V; f = 1MHz$		0.3		

Table-4 Electrical Characteristics

8. Typical Application



9. Ratings and Characteristic Curves (TA = 25°C unless otherwise noted)

Figure 1. Pulse rating curve

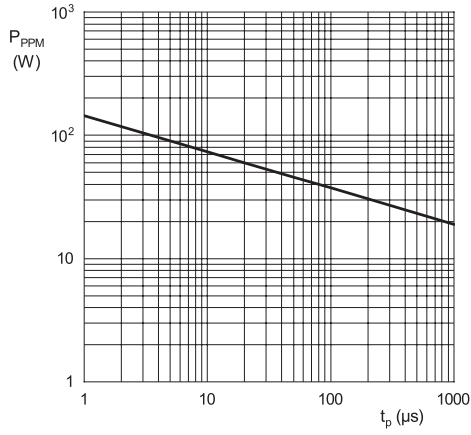


Figure 2 Peak pulse power derating curve

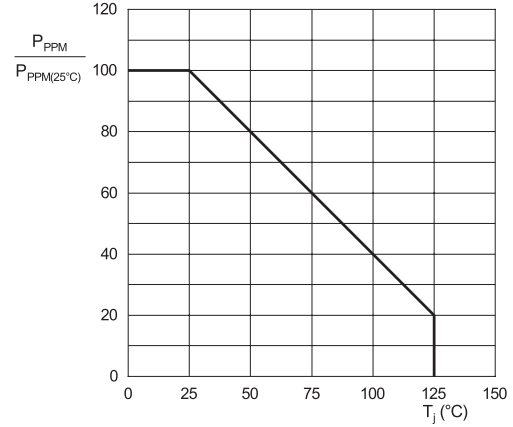


Figure 3 Pulse waveform

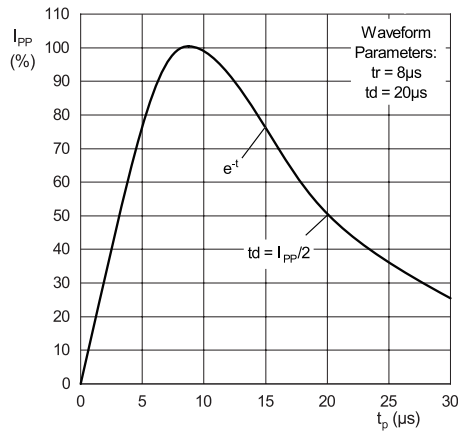


Figure 4 Clamping voltage vs Peak pulse current

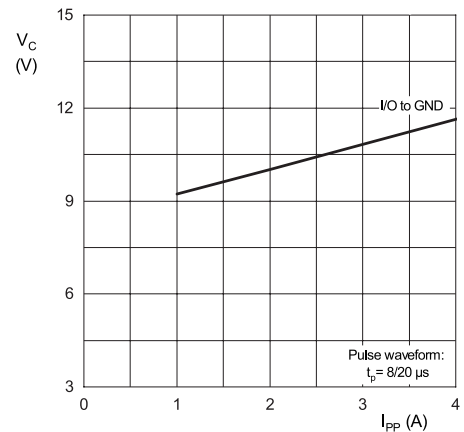


Figure 5 Capacitance vs Reverse voltage

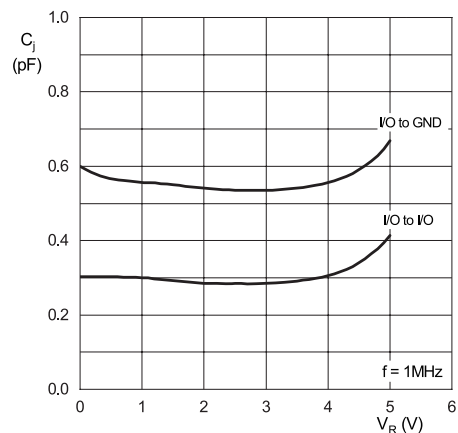
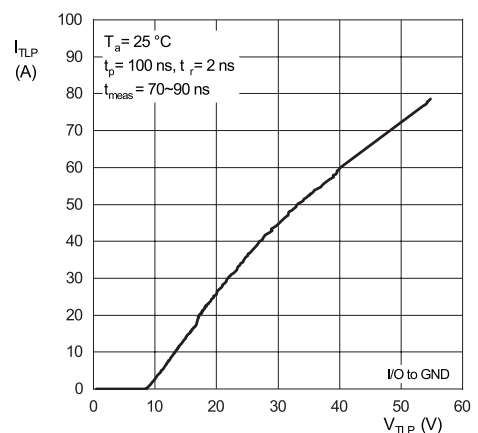
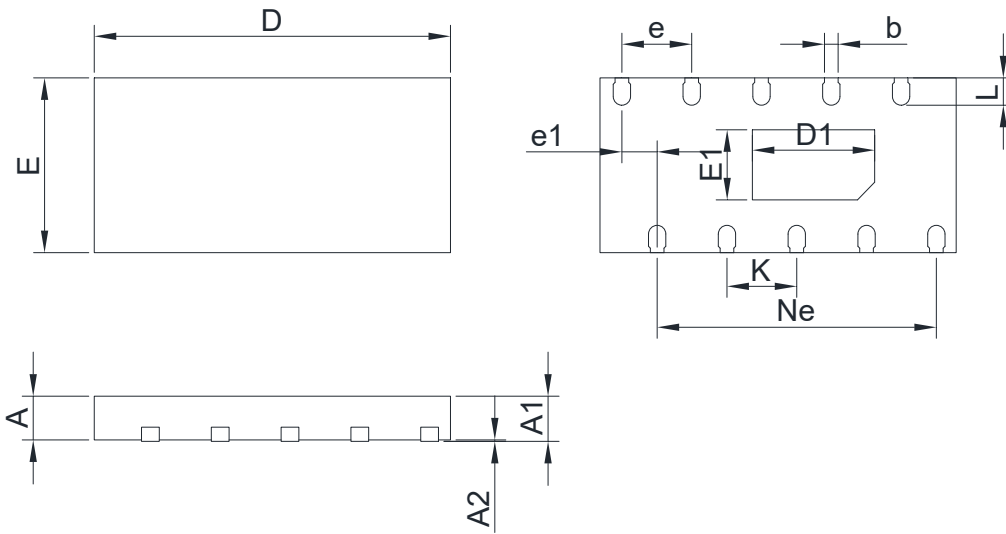


Figure 6 TLP I-V Curve



10.Dimension



Symbol	Millimeters			Symbol	Millimeters		
	MIN	NOM	MAX		MIN	NOM	MAX
A	0.45	0.50	0.55	L	0.25	0.30	0.35
A1	0.15 REF			b	0.15	0.20	0.25
A2	0.00	0.02	0.05	e	0.80 BSC		
D	4.05	4.10	4.15	Ne	3.20 BSC		
E	1.95	2.00	2.05	e1	0.40 BSC		
D1	1.35	1.40	1.45	K	0.25	0.30	0.35
E1	0.75	0.80	0.85				

11.Revision History of Specification

Version	Change Items	Effective Date
1.0	Initial Release	2-Nov-2021

X-ON Electronics

Largest Supplier of Electrical and Electronic Components

Click to view similar products for [ESD Suppressors / TVS Diodes](#) category:

Click to view products by [SCME](#) manufacturer:

Other Similar products are found below :

[60KS200C](#) [D18V0L1B2LP-7B](#) [D5V0F4U5P5-7](#) [NTE4902](#) [P4KE27CA](#) [P6KE11CA](#) [P6KE8.2A](#) [SA60CA](#) [SA64CA](#) [SMBJ12CATR](#)
[SMBJ33CATR](#) [SMBJ6.5A](#) [SMBJ8.0A](#) [ESD101-B1-02ELS](#) [E6327](#) [ESD112-B1-02EL](#) [E6327](#) [ESD7451N2T5G](#) [19180-510](#) [CPDT-5V0USP-](#)
[HF](#) [3.0SMCJ33CA-F](#) [3.0SMCJ36A-F](#) [HSPC16701B02TP](#) [JANTX1N6126A](#) [D3V3Q1B2DLP3-7](#) [D55V0M1B2WS-7](#) [SCM1293A-04SO](#)
[ESD200-B1-CSP0201](#) [E6327](#) [SM12-7](#) [CEN955](#) [W/DATA](#) [VESD12A1A-HD1-GS08](#) [CPDQC5V0-HF](#) [D1213A-01LP4-7B](#) [ESD101-B1-02EL](#)
[E6327](#) [AOZ8808DI-03](#) [5KP15A](#) [5KP48A](#) [5KP90A](#) [ESD3V3D7-TP](#) [15KPA36A-LF](#) [P4KE56CA](#) [P4KE68A](#) [P4KE91CATR](#) [P6KE120A](#)
[P6KE13CA](#) [P6KE43CA](#) [P6KE6.8CA](#) [P6KE8.2](#) [P6SMBJ20CA](#) [JANTX1N6072A](#) [SR2835ESKG](#) [SA90CA](#)