

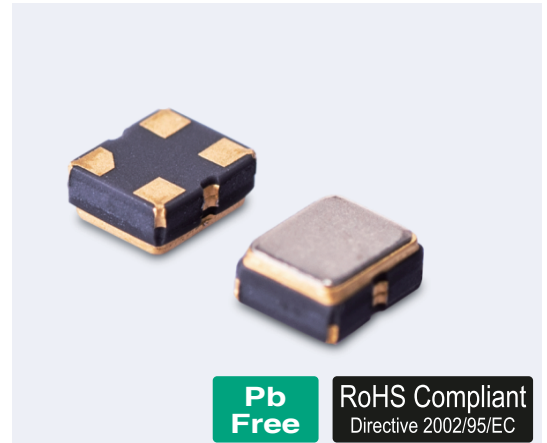
# 2.0x1.6 SMD OSCILLATOR

## FEATURE

- Tight frequency tolerance.
- CMOS compatible logic levels.
- Pin-compatible with standard 2.0x1.6mm packages.
- Designed for standard reflow and washing techniques.
- Low power standby mode.
- Pb-free and RoHS/Green compliant.

## APPLICATIONS

- Ideally suited designed for use in Ethernet, network adapter cards, hard disk devices, blue tooth, PCMCIA Cards, Palmtop Computer, Portable Applications.



Pb Free

RoHS Compliant  
Directive 2002/95/EC

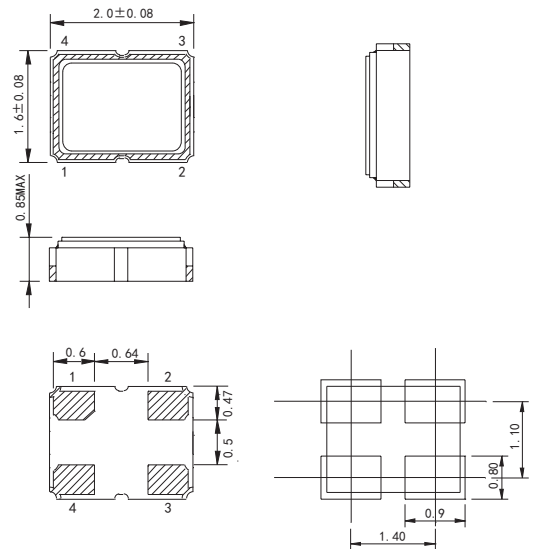
## Electrical Specifications 电气参数

型号	Holder Type	2.0x1.6mm SMD OSCILLATOR
频率范围	Frequency Range	1.000 Mhz to 64 MHz
总频差	Frequency Stability	±20ppm to ±50ppm
输入电压	Supply Voltage	3.3V ±10%※(See Notes)
工作温度范围	Operating Temperature Range	-20°C - +70°C / -40°C - +85°C
储存温度范围	Storage Temperature Range	-40°C - +85°C / -55°C - +125°C
占空比	Symmetry (Duty Cycle)	45/55 Standard
输出	Output Load	15pF Hcmos or 10 TTL
消耗电流	Current Consumption (15pf only)	1.000Mhz - 49.999Mhz=20mA max
	(3.3V)	50.000Mhz - 64.000Mhz=30mA max
	Current Consumption (15pf only)	1.000Mhz - 49.999Mhz=15mA max
	(1.8V 2.5V 2.8V )	50.000Mhz - 64.000Mhz=25mA max
上升/下降时间	Rise/Fall Time	5 nS max

※Notes: The supply voltage 1.8V, 2.5V, 2.85V also can be made by customer.

## Mechanical Dimensions 外型尺寸

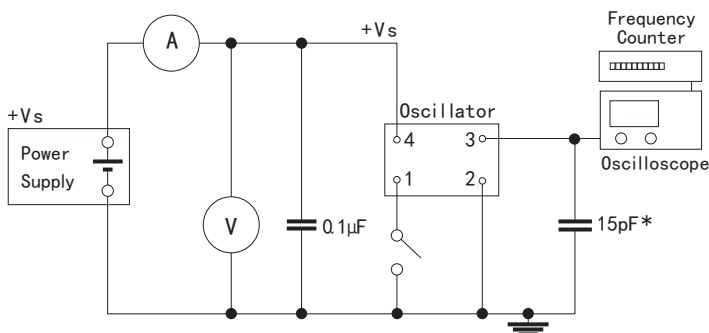
UNIT (单位) : mm (毫米)



suggested solder pad layout

PIN	FUNCTION
1	Tri-state※(See Notes)
2	Ground
3	Output
4	Vdd

## Test Circuit (测试电路)



※Notes:

Tri-state: PIN 1 connected to Vdd or floating, the product is working properly; connected to GND, stops working.

## X-ON Electronics

Largest Supplier of Electrical and Electronic Components

*Click to view similar products for [Standard Clock Oscillators](#) category:*

*Click to view products by [SCTF](#) manufacturer:*

Other Similar products are found below :

[601252](#) [F335-25](#) [F535L-33.333](#) [F535L-50](#) [ASV-20.000MHZ-LR-T](#) [ECS-2018-160-BN-TR](#) [MXO45HS-2C-66.6666MHZ](#)  
[NBXDBB017LN1TAG](#) [SiT1602BI-22-33E-50.000000E](#) [SiT8209AI-32-33E-125.000000](#) [SIT8918AA-11-33S-50.000000G](#) [SM4420TEV-](#)  
[40.0M-T1K](#) [F335-24](#) [F335-40](#) [F535L-10](#) [F535L-12](#) [F535L-16](#) [F535L-24](#) [F535L-27](#) [F535L-48](#) [PE7744DW-100.0M](#) [ASF1-3.686MHZ-N-K-](#)  
[S](#) [ASV-4.000MHZ-LCS-T](#) [XLH735025.000JU4I8](#) [XLP725125.000JU6I8](#) [XO57CTECNA3M6864](#) [ECS-2100A-147.4](#) [601251](#)  
[EP16E7E2H26.000MTR](#) [SiT8503AI-18-33E-0.200000X](#) [SIT8918AA-11-33S-16.000000G](#) [SIT9122AI2C233E300.000000X](#)  
[XO37CTECNA20M](#) [XO3003](#) [9120AC-2D2-33E212.500000](#) [9102AI-243N25E100.000000](#) [8208AC-82-18E-25.000000](#) [ASDK2-32.768KHZ-](#)  
[LR-T3](#) [8008AI-72-XXE-24.545454E](#) [8004AC-13-33E-133.33000X](#) [AS-4.9152-16-SMD-TR](#) [ASFL1-48.000MHZ-LC-T](#) [632L3I004M00000](#)  
[SIT8920AM-31-33E-25.0000](#) [DSC1028DI2-019.2000](#) [9121AC-2C3-25E100.000000](#) [9102AI-233N33E100.00000X](#) [9102AI-](#)  
[233N25E200.000000](#) [9102AI-232H25S125.000000](#) [9102AI-133N25E200.000000](#)