

|    |               |
|----|---------------|
| 编号 | SCTF20213B050 |
| 日期 | 2021-9-30     |
| 版本 | B01           |

# 承认书

## SPECIFICATION FOR APPROVAL

|                       |                        |
|-----------------------|------------------------|
| 客户名称 Customer Name:   | 立创商城                   |
| 供应商物料名称 Part Name:    | 石英晶体谐振器                |
| 产品描述 Description:     | SMD3225 27.000MHz/12PF |
| 供应商物料料号 Part NO.:     | SX3B27.000F1210F30     |
| 供应商名称 Supplier Name : | 深圳市星通时频电子有限公司          |

PLEASE CONFIRM OUR SPECIFICATION. 敬请确认规格书之内容。

| CUSTOMER APPROVAL 客户审批     |     |     |
|----------------------------|-----|-----|
| 物料代号 PART NO. _____        |     |     |
| 使用于机型 USED IN MODEL: _____ |     |     |
| 工程部                        | 品质部 | 采购部 |
|                            |     |     |

(敬请确认后返回一份, 谢谢!)

| SUPPLIER APPROVAL 供应商审批 |         |             |
|-------------------------|---------|-------------|
| DGN.制表人                 | CKD. 校对 | APPD. 审核、签章 |
| 陈雪娟                     | 李霞      | 胡华才         |

地址: 深圳南山区官龙第二工业区希创产业园4楼

Add: 4/F, Xichuang Ind.Park, Guanlong No.2 Ind.Zone, Guanlong Road, Nanshan Dist, Shenzhen, China

Website: www.sctf-crystal.com

Email: info@sctf-crystal.com

TEL: 0755-86097430

FAX: 0755-86097259

Page: 1



# ■ QUARTZ CRYSTAL UNIT SPECIFICATION

## 1. Crystal Unit Spec:

| NO. | Item                              | Symb.  | Electrical Spec.         | Notes   |
|-----|-----------------------------------|--|--------------------------|---|
| 1   | Nominal Frequency<br>标称频率         | f  | 27.000000 MHz            |   |
| 2   | Oscillation Mode<br>振荡模式          | -  | AT Fundamental           |   |
| 3   | Holder Type<br>封装                 | -  | SMD3225                  |   |
| 4   | Frequency Tolerance<br>常温频差       | $\Delta f/f$   | $\pm 10\text{PPM}$       | at 25°C $\pm 2^\circ\text{C}$                             |
| 5   | Drive Level<br>激励功率               | DL   | 10 $\mu\text{W}$ Typical | See the 2.1   |
| 6   | Load Capacitance<br>负载电容          | CL   | 12PF                     | See the 2.2   |
| 7   | Effective Resistance<br>谐振电阻      | RR   | 30 $\Omega$ max.         | See the 2.3   |
| 8   | Shunt Capacitance<br>静电容          | C0   | 3 pF max.                |   |
| 9   | Drive Level Dependency<br>激励功率依赖性 | DLD2   | 10 $\Omega$ max.         | Sweep from 100nW to 100uW in 20 steps.                    |
| 10  | Temperature Drift<br>温度频差         | f_tem  | $\pm 30\text{PPM}$       | Over Operating Temp. Range (Reference 25°C)               |
| 11  | Spurious response<br>寄生响应         | SPDB   | -3dB max.                | Start -1000ppm stop 5000ppm 30 steps power applied: 10dBm |
| 12  | Operating Temperature<br>工作温度范围   | T_use  | -40~85°C                 |   |
| 13  | Storage Temperature Range<br>存储温度 | T_sta  | -55~125°C                |   |
| 14  | Insulation Resistance<br>绝缘阻抗     | IR   | 500 M $\Omega$           | at DC 100V  |
| 15  | Aging<br>年老化率                     | f_age  | $\pm 3$ ppm              | 1st Year  |
| 16  | Measurement Condition<br>测量条件     | Measured by S&A250B or equivalen, TA=25°C $\pm 2^\circ\text{C}$ , RH=40%~70% |                          |   |

## 2. Circuit Coddions Spec:

2.1 Drive Level (DL) 100 $\mu\text{W}$  max.

(If Drive Level is too high, that may cause crystal resonator abnormal oscillation or damaged the main body of quartz)

2.2 Loading Capacitance (CL) : 12PF

(The total circuit load capacitance should be equal to the crystal (CL) values, too large or too small load, will result in frequency drift.)

2.3 Negative Resistance (-R)  $\geq 150\Omega$

(If -R more than ESR spec of 5 times will be better. If Negative Resistance is too low, that may cause crystal resonator stop oscillation or not easy to oscillate)

| SHENZHEN SCTF ELECTRONICS CO. , LTD |  |       |
|-------------------------------------|--|-------|
| DATE                                | Specification of quartz crystal<br>石英晶体谐振器规格书      | Page: |
| 2021-9-30                           | P/N: SX3B27.000F1210F30<br>Spec.NO.: SCTF20213B050 | 3     |

## ■ DIMENSIONS

Product size (产品尺寸)

Units (单位): mm(毫米)

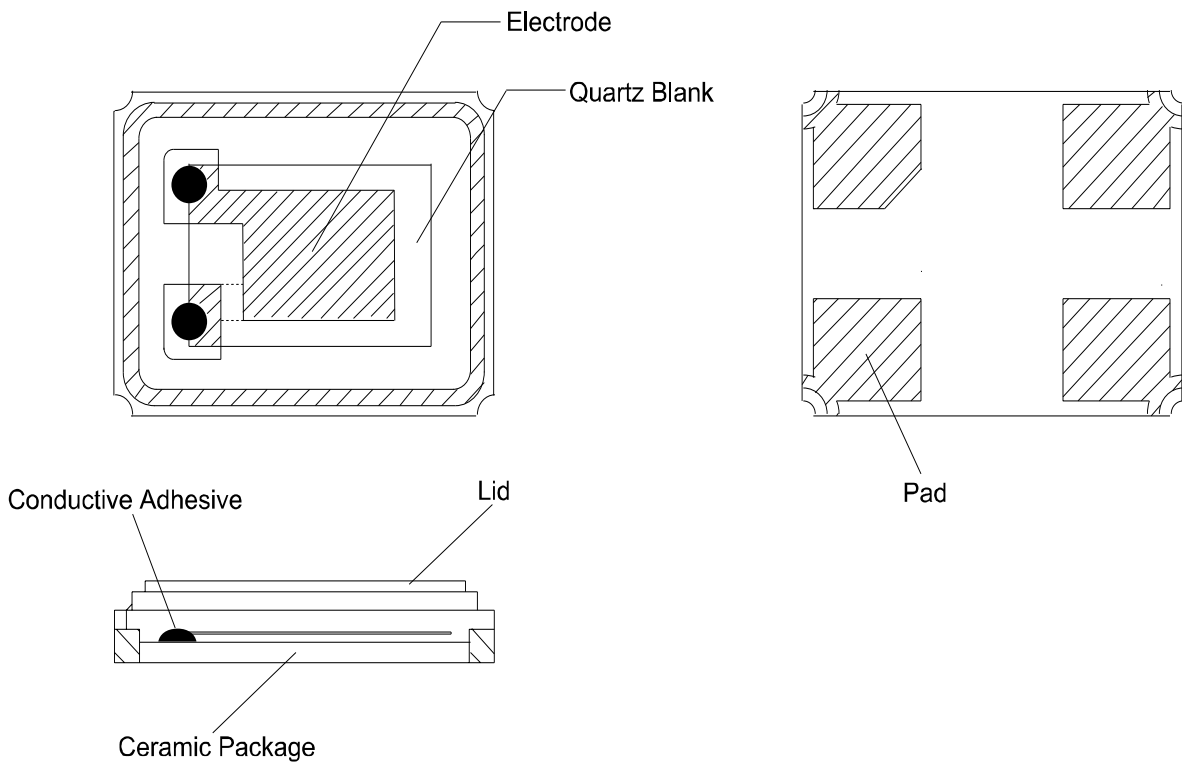


- Note: (1) The missing pad is also correct on the 4th pin, this pin is not used as a starting position.  
 (2) Product pin 2 and pin 4 are connected with a cover, please connect with GND or floating.

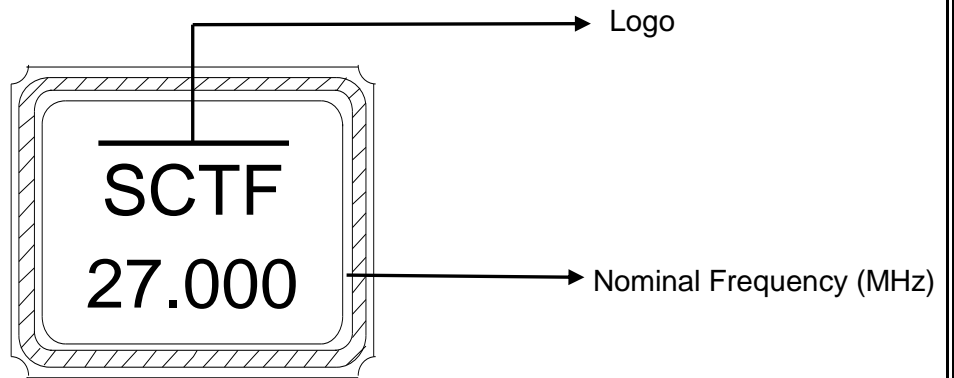
| SHENZHEN SCTF ELECTRONICS CO. , LTD |  |       |
|-------------------------------------|--|-------|
| DATE                                | Specification of quartz crystal<br>石英晶体谐振器规格书      | Page: |
| 2021-9-30                           | P/N: SX3B27.000F1210F30<br>Spec.NO.: SCTF20213B050 | 4     |

## ■ PRODUCT STRUCTURE & MARKING

### ◆ Product Structure 产品结构



### ◆ Marking 印字



| SHENZHEN SCTF ELECTRONICS CO. , LTD |  |       |
|-------------------------------------|--|-------|
| DATE                                | Specification of quartz crystal<br>石英晶体谐振器规格书      | Page: |
| 2021-9-30                           | P/N: SX3B27.000F1210F30<br>Spec.NO.: SCTF20213B050 | 5     |

## REFLOW PROFILES

| Profile Feature  | Sn-Pb Eutectic Assembly | Pb-Free Assembly |
|--|-------------------------|------------------|
| Preheat/Soak   |                         |                  |
| ● Temperature Min ( $T_s$ min)   | 100 °C                  | 150 °C           |
| ● Temperature Max ( $T_s$ max)   | 150 °C                  | 200 °C           |
| ● Time ( $T_s$ min to $T_s$ max)                                       | 60-120 seconds          | 60-120 seconds   |
| Ramp-up rate ( $T_L$ to $T_p$ )  | 3 °C/second max.        | 3 °C/second max. |
| Time maintained above  |                         |                  |
| ● Liquidous temperature ( $T_L$ )                                      | 183 °C                  | 217 °C           |
| ● Time ( $t_L$ ) maintained above $T_L$                                | 60-150 seconds          | 60-150 seconds   |
| Peak package body temperature ( $T_p$ )                                | 235 °C                  | 260 °C           |
| Time within 5 °C of the specified classification temperature ( $T_p$ ) | 20 seconds              | 30 seconds       |
| Ramp-down rate ( $T_p$ to $T_L$ )                                      | 6 °C/second max.        | 6 °C/second max. |
| Time 25 °C to peak temperature   | 6 minutes max.          | 8 minutes max.   |
| <b>Suggest reflow times</b>  | <b>3 Times max.</b>     |                  |



SHENZHEN SCTF ELECTRONICS CO. , LTD

| DATE      | Specification of quartz crystal<br>石英晶体谐振器规格书      | Page: |
|-----------|--|-------|
| 2021-9-30 | P/N: SX3B27.000F1210F30<br>Spec.NO.: SCTF20213B050 | 6     |

## RELIABILITY SPECIFICATION

| 序号<br>NO. | 项目<br>ITEM                | 条件<br>CONDITIONS  | 合格标准<br>BASIS OF VERDICT  |
|-----------|---------------------------|---|---|
| 1         | 跌落<br>DROP                | 100cm高处自由跌落到3cm厚木板上,3次<br>High:100cm;Thickness:3cm;3 times.   | $\Delta FL \leq \pm 5 \text{ppm}$<br>$\Delta RR \leq RR(\text{max}) * 10\%$ |
| 2         | 振动<br>VIBRATION           | 频率 Frequency:10~57.7Hz;幅度 Amplitude: $\pm 0.75 \text{mm}$<br>频率Frequency:57.7Hz~500Hz;加速度幅度acceleration<br>rate:98m/s <sup>2</sup><br>周期 Cycle time:10-500-10Hz: 15min<br>振动方向 Direction:X,Y, Z<br>振动时间 Duration: 每个方向2小时 2 h/direction.  | $\Delta FL \leq \pm 5 \text{ppm}$<br>$\Delta RR \leq RR(\text{max}) * 10\%$ |
| 3         | 温度变化<br>TEMPERATURE SHOCK | $-40^{\circ}\text{C} \pm 2^{\circ}\text{C}$ (30min) $\leftrightarrow$ $85^{\circ}\text{C} \pm 2^{\circ}\text{C}$ (30min);循环10次<br>$-40^{\circ}\text{C} \pm 2^{\circ}\text{C}$ (30min) $\leftrightarrow$ $85^{\circ}\text{C} \pm 2^{\circ}\text{C}$ (30min);For 10<br>cycles   | $\Delta FL \leq \pm 5 \text{ppm}$<br>$\Delta RR \leq RR(\text{max}) * 10\%$ |
| 4         | 湿热<br>HUMIDITY            | 温度: $40^{\circ}\text{C} \pm 2^{\circ}\text{C}$ ;湿度90-95%;时间:96小时<br>Temp: $40^{\circ}\text{C} \pm 2^{\circ}\text{C}$ ;Humidity:90-95%;Times:96h   | $\Delta FL \leq \pm 5 \text{ppm}$<br>$\Delta RR \leq RR(\text{max}) * 10\%$ |
| 5         | 低温<br>COLD RESISTANCE     | 温度: $-40^{\circ}\text{C} \pm 2^{\circ}\text{C}$ ;时间:96小时<br>Temp: $-40^{\circ}\text{C} \pm 2^{\circ}\text{C}$ ;Times:96h  | $\Delta FL \leq \pm 5 \text{ppm}$<br>$\Delta RR \leq RR(\text{max}) * 10\%$ |
| 6         | 高温1<br>HEAT RESISTANCE 1  | 温度: $100^{\circ}\text{C} \pm 2^{\circ}\text{C}$ ;时间:96小时<br>Temp: $100^{\circ}\text{C} \pm 2^{\circ}\text{C}$ ;Times:96h  | $\Delta FL \leq \pm 5 \text{ppm}$<br>$\Delta RR \leq RR(\text{max}) * 10\%$ |
| 7         | 高温2<br>HEAT RESISTANCE 2  | 温度: $155^{\circ}\text{C} \pm 2^{\circ}\text{C}$ ;时间:2小时<br>Temp: $155^{\circ}\text{C} \pm 2^{\circ}\text{C}$ ;Times:2h  | $\Delta FL \leq \pm 5 \text{ppm}$<br>$\Delta RR \leq RR(\text{max}) * 10\%$ |
| 8         | 高温3<br>HEAT RESISTANCE 3  | 温度: $85^{\circ}\text{C} \pm 2^{\circ}\text{C}$ ;电压:3.3V/5.0V;时间:96小时<br>Temp: $85^{\circ}\text{C} \pm 2^{\circ}\text{C}$ ;Voltage:3.3V/5.0V;Times:96h   | $\Delta FL \leq \pm 5 \text{ppm}$<br>$\Delta RR \leq RR(\text{max}) * 10\%$ |
| 9         | 回流焊<br>REFLOW             | $150^{\circ}\text{C} \pm 5^{\circ}\text{C}$ 保持120s后升到 $270^{\circ}\text{C} \pm 5^{\circ}\text{C}$ 保持10s, 升温和<br>保温时间小于200s, 常温放置1~2h后测定<br>Keep $150^{\circ}\text{C} \pm 5^{\circ}\text{C}$ 120s and then rose to $270^{\circ}\text{C} \pm 5^{\circ}\text{C}$<br>for 10s, warming and holding time is less than the 200s,<br>placed at room temperature 1 ~ 2h after test | $\Delta FL \leq \pm 5 \text{ppm}$<br>$\Delta RR \leq RR(\text{max}) * 10\%$ |
| 10        | 盐雾<br>SALT SPRAY          | 盐雾浓度:5%;温度: $35^{\circ}\text{C}$ ;时间:24小时<br>Salt density:5%;Temp: $35^{\circ}\text{C}$ ;Times:24h  | 目测无明显腐蚀现象<br>Visual no significant<br>corrosion.                            |
| 11        | 老化<br>AGING               | 温度: $85^{\circ}\text{C}$ ;时间:30天<br>Temp: $85^{\circ}\text{C}$ ;Times:30days  | $\Delta FL \leq \pm 5 \text{ppm}$<br>$\Delta RR \leq RR(\text{max}) * 10\%$ |
| 12        | 气密性<br>LEAKAGE            | 氦气(0.6~0.65MPa):10分钟<br>He(0.6~0.65MPa):10min   | $\leq 3 * 10^{-9} \text{Pa} \cdot \text{m}^3/\text{s}$                      |
| 13        | 焊接<br>SOLDER              | 温度: $260^{\circ}\text{C} \pm 5^{\circ}\text{C}$<br>Temp: $260^{\circ}\text{C} \pm 5^{\circ}\text{C}$  | 浸锡率大于90%<br>Soldering tin rate<br>greater than 90%                          |

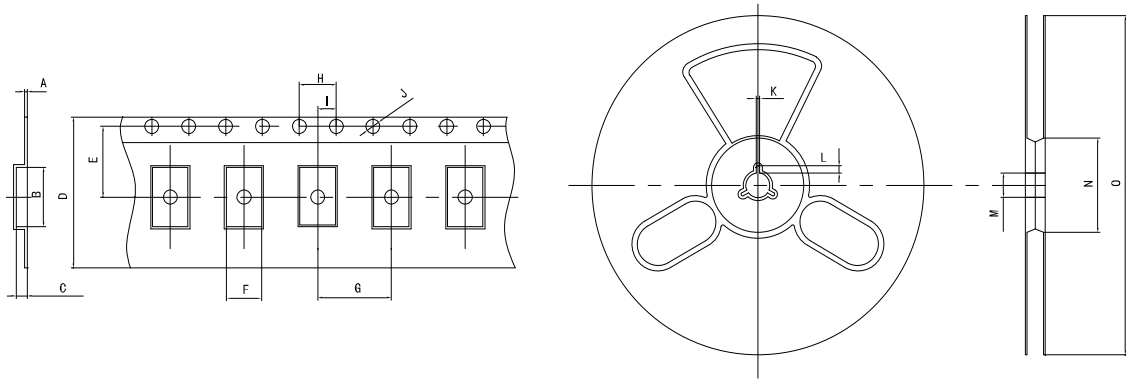
### SHENZHEN SCTF ELECTRONICS CO. , LTD

| DATE      | Specification of quartz crystal<br>石英晶体谐振器规格书      | Page: |
|-----------|--|-------|
| 2021-9-30 | P/N: SX3B27.000F1210F30<br>Spec.NO.: SCTF20213B050 | 7     |

# PACKAGE

## ◆ Taping Specifications 编带规格

UNIT (单位): mm (毫米)



| TEYE        | A    | B    | C    | D    | E    | F    | G    | H    | I    | J    | K    | L    | M     | N     | O      |
|-------------|------|------|------|------|------|------|------|------|------|------|------|------|-------|-------|--------|
| 3.2×2.5 SMD | 0.25 | 3.50 | 1.40 | 8.00 | 3.50 | 2.75 | 4.00 | 4.00 | 2.00 | 1.50 | 2.30 | 4.00 | 13.00 | 60.00 | 180.00 |

## ◆ Packaging specifications 包装规格



自封袋 (Bag)  
3000只 = 1 轮  
3000pcs = 1 Reel

内包装 (Inside package)  
1 轮 = 1 盒  
1 Reel = 1 box

外包装 (Outside Package )  
10 盒 = 1 箱  
10 box = 1 carton

| SHENZHEN SCTF ELECTRONICS CO. , LTD |  |       |
|-------------------------------------|--|-------|
| DATE                                | Specification of quartz crystal<br>石英晶体谐振器规格书      | Page: |
| 2021-9-30                           | P/N: SX3B27.000F1210F30<br>Spec.NO.: SCTF20213B050 | 8     |



## X-ON Electronics

Largest Supplier of Electrical and Electronic Components

*Click to view similar products for [Crystals](#) category:*

*Click to view products by [SCTF](#) manufacturer:*

Other Similar products are found below :

[CX3225GB25000M0PPSZ1](#) [718-13.2-1](#) [MC405 32.0000K-R3:PURE SN](#) [7A-40.000MAAE-T](#) [FL2000085](#) [99-BU](#) [9B-15.360MBBK-B](#) [9C-7.680MBBK-T](#) [H10S-12.000-18-EXT-TR](#) [ABC2-6.000MHZ-D4Z-T](#) [ABLS-20.000MHZ-D2-T](#) [ABS071-32.768KHZ-6-T](#) [R38-32.768-12.5-5PPM-NPB](#) [BTD1062E05A-513](#) [21U15A-21.4MHZ](#) [RTX-781DF1-S-20.950](#) [LFXTAL066198Cutt](#) [9C-14.31818MBBK-T](#) [A-11.000MHZ-27](#) [ABL-27.000MHZ-B4Y-T](#) [ABM11-132-24.000MHZ-T3](#) [ABM3B1-25.000MHZ-D2Y-T](#) [SPT2A-.032768B](#) [SPT2A.032768G](#) [SSPT7F-9PF20-R](#) [FX325BS-38.88EEM1201](#) [LFXTAL065253Cutt](#) [LFXTAL066431Cutt](#) [XT9S20ANA14M7456](#) [XT9SNLANA16M](#) [646G-24-2](#) [7A-24.576MBBK-T](#) [7B-30.000MBBK-T](#) [7A-14.31818MBBK-T](#) [6504-202-1501](#) [6526-202-1501](#) [ABLS-12.000MHZ-B2Y-T](#) [7A-10.000MBBK-T](#) [SG636PCE-20.000MC](#) [3404](#) [E1SAA18-25.000M TR](#) [CM315D32768EZFT](#) [C1E-24.000-7-2020-R](#) [C1E-19.200-12-1530-X-R](#) [C1E-16.000-12-1530-X-R](#) [ABM11-16.000MHZ-9-B1U-T](#) [FL5000014](#) [EUCA18-3.1872M](#) [FX0800015](#) [425F35E027M0000](#)