

编号	SCTF2022LC926
日期	2022/9/24
版本	B01

承认书

SPECIFICATION FOR APPROVAL

客户名称 Customer Name:	立创商城
供应商物料名称 Part Name:	压控石英晶体振荡器
产品描述 Description:	SMD3225 25.000MHz/3.3V
供应商物料料号 Part NO.:	SX3V25.000B20100F30TNN
供应商名称 Supplier Name :	深圳市星通时频电子有限公司

PLEASE CONFIRM OUR SPECIFICATION. 敬请确认规格书之内容。

CUSTOMER APPROVAL 客户审批		
物料代号 PART NO. _____		
使用于机型 USED IN MODEL: _____		
工程部	品质部	采购部

(敬请承认后返回一份, 谢谢!)

SUPPLIER APPROVAL 供应商审批		
DGN.制表人	CKD. 校对	APPD. 审核、签章
吴丽红	李良	胡华才

地址: 深圳市南山区龙珠四路方大城T2栋10楼

Add: 10 / F, Building T2, Fangdacheng, Longzhu 4th Road, Nanshan District, Shenzhen, China.

Website: www.sctf-crystal.com

Email: info@sctf-crystal.com

TEL: 0755-86097430

FAX: 0755-86097259

Page: 1

■ Electrical Specification 电气参数

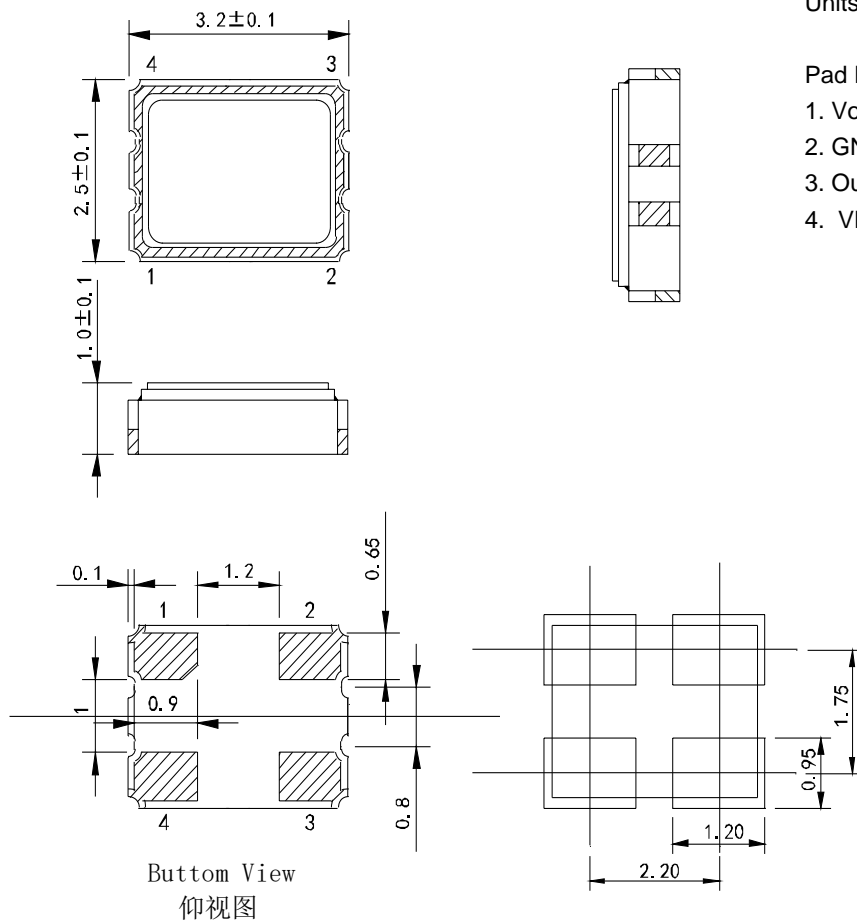
N0.	Item	Electrical Spec.	Notes
1	Holder Type 封装	SMD3225	
2	Nominal Frequency 标称频率	25.000000 MHz	
3	Operating voltage 工作电压	3.3V	±10% max.
4	Output 输出模式	CMOS	
5	Output load condition 负载	15pF	
6	Frequency stability (Overall) 总频率偏差	±50ppm	Frequency stability includes frequency tolerance @25 °C and frequency stability vs. operating temperature range and voltage variance and first year aging.
7	Current consumption 消耗电流	10 mA max.	
8	Pulling Range 牵引范围	±100ppm min.	
9	Absolute Pull Range (APR) 绝对牵引范围	±50ppm min.	
10	Center Voltage 压控中心电压	1.65V	
11	Control Voltage Range 控制电压范围	0.3V~3V	
12	Linearity 线性度	10% max.	
13	Modulation Band Width 调制带宽	15KHz min.	
14	VC Input Impedance 压控端输入电阻	5 MΩ min.	
15	Duty Cycle 占空比	45%-55%	
16	Rise / Fall Time 上升/下降沿时间	5 nS max.	
17	High output voltage 高电平	0.9Vdd min.	
18	Low output voltage 低电平	0.1Vdd max.	
19	Start-up Time 起振时间	2mS max.	To 90% of Final Amplitude
20	Enable Delay Time 使能延迟	2 mS max.	
21	Operating Temperature range 工作温度范围	-40~85°C	
22	Storage Temperature Range 存储温度范围	-55~125°C	
23	Aging 老化	±3ppm	1st. Year at 25°C

SHENZHEN SCTF ELECTRONICS CO., LTD

DATE	Voltage controlled quartz crystal oscillator 压控石英晶体振荡器规格书	Page:
2022/9/24	P/N: SX3V25.000B20100F30TNN Spec.NO.: SCTF2022LC926	3

■ DIMENSIONS 产品尺寸

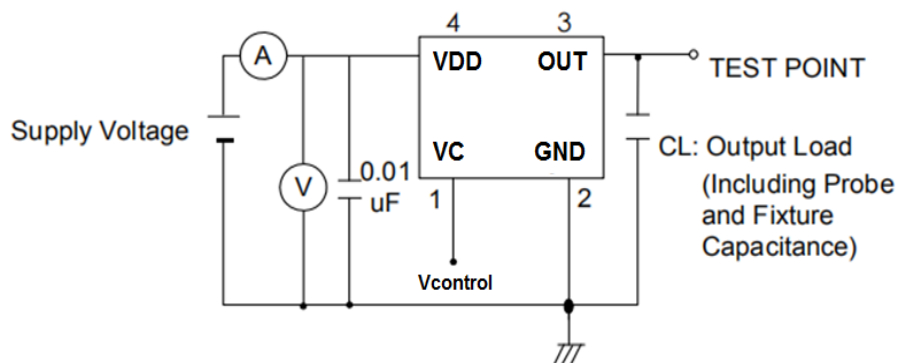
Units (单位): mm(毫米)



Pad Functions:

1. Voltage control
2. GND
3. Output
4. VDD

■ TESTING CIRCUIT 测试电路



※ Notes: Test point load should include stray and probe capacitance.

SHENZHEN SCTF ELECTRONICS CO., LTD

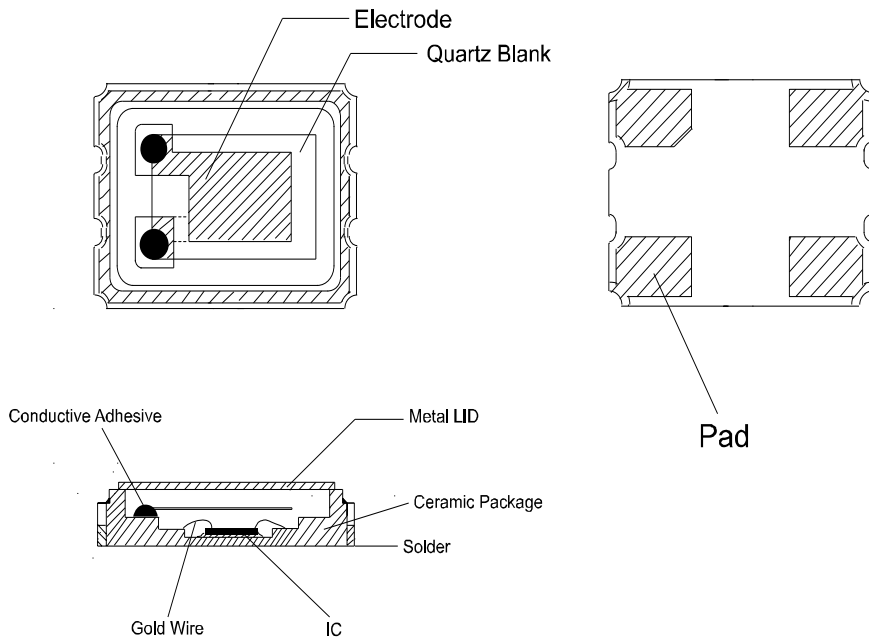
DATE	Voltage controlled quartz crystal oscillator 压控石英晶体振荡器规格书	Page:
2022/9/24	P/N: SX3V25.000B20100F30TNN Spec.NO.: SCTF2022LC926	4

■ **WAVEFORM CONDITIONS** 输出波形

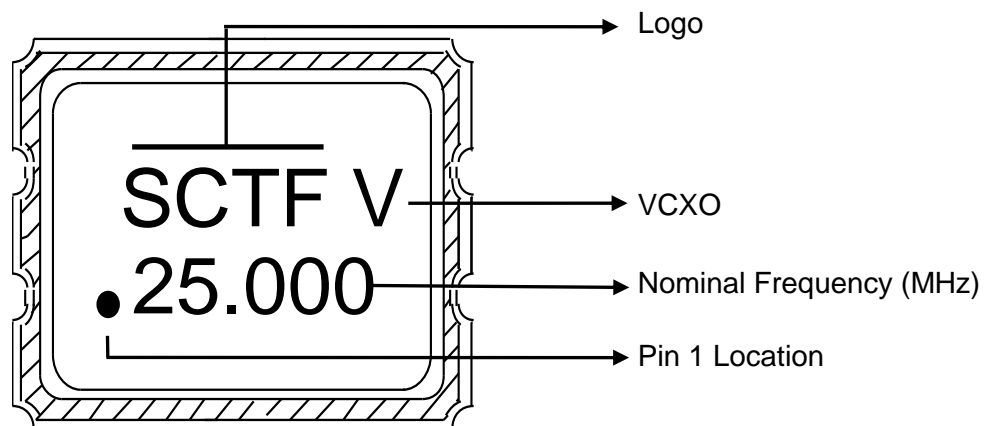


Waveform measurement system should have a min. bandwidth of 5 times the frequency being tested.

◆ **Product Structure** 产品结构



◆ **Marking** 印字



SHENZHEN SCTF ELECTRONICS CO. , LTD		
DATE	Voltage controlled quartz crystal oscillator 压控石英晶体振荡器规格书	Page:
2022/9/24	P/N: SX3V25.000B20100F30TNN Spec.NO.: SCTF2022LC926	5

◆ REFLOW PROFILES 回流焊条件

Profile Feature	Sn-Pb Eutectic Assembly	Pb-Free Assembly
Preheat/Soak		
●Temperature Min(Ts min)	100 °C	150 °C
●Temperature Max (Ts max)	150 °C	200 °C
●Time (Ts min to Ts max)	60-120 seconds	60-120 seconds
Ramp-up rate (TL to Tp)	3 °C/second max.	3 °C/second max.
Time maintained above		
●Liquidous temperature (TL)	183 °C	217 °C
●Time (tL) maintained above TL	60-150 seconds	60-150 seconds
Peak package body temperature (Tp)	235 °C	260 °C
Time within 5 °C of the specified classification temperature (Tp)	20 seconds	30 seconds
Ramp-down rate (Tp to TL)	6 °C/second max.	6 °C/second max.
Time 25 °C to peak temperature	6 minutes max.	8 minutes max.
Suggest reflow times	3 Times max.	



SHENZHEN SCTF ELECTRONICS CO. , LTD		
DATE	Voltage controlled quartz crystal oscillator 压控石英晶体振荡器规格书	Page:
2022/9/24	P/N: SX3V25.000B20100F30TNN Spec.NO.: SCTF2022LC926	6

◆ RELIABILITY SPECIFICATION 可靠性参数

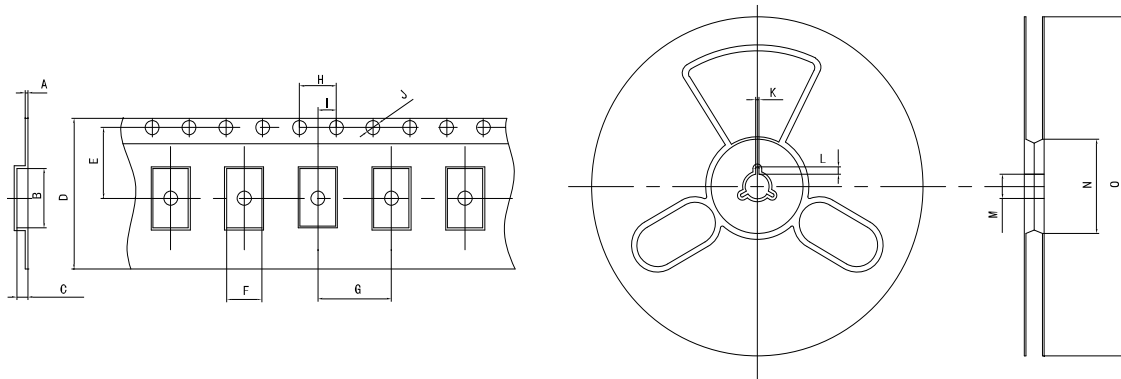
序号 NO.	项目 ITEM	条件 CONDITIONS	合格标准 BASIS OF VERDICT
1	跌落 DROP	75cm高处自由跌落到3cm厚木板上,3次 High:75cm;Thickness:3cm;3 times.	$\Delta FL \leq \pm 5 \text{ppm}$ (Center Voltage 1.65V)
2	振动 VIBRATION	频率 Frequency:10~57.7Hz;幅度 Amplitude: $\pm 0.75 \text{mm}$ 频率Frequency:57.7Hz~500Hz;加速度幅度acceleration rate:98m/s ² 周期 Cycle time:10-500-10Hz: 15min 振动方向 Direction:X,Y, Z 振动时间 Duration: 每个方向2小时 2 h/direction.	$\Delta FL \leq \pm 5 \text{ppm}$ (Center Voltage 1.65V)
3	温度变化 TEMPERATURE SHOCK	-40°C $\pm 2^\circ\text{C}$ (30min) \leftrightarrow 85°C $\pm 2^\circ\text{C}$ (30min);循环10 次 -40°C $\pm 2^\circ\text{C}$ (30min) \leftrightarrow 85°C $\pm 2^\circ\text{C}$ (30min);For 10	$\Delta FL \leq \pm 5 \text{ppm}$ (Center Voltage 1.65V)
4	湿热 HUMIDITY	温度:40°C $\pm 2^\circ\text{C}$;湿度90-95%;时间:96小时 Temp:40°C $\pm 2^\circ\text{C}$;Humidity:90-95%;Times:96h	$\Delta FL \leq \pm 5 \text{ppm}$ (Center Voltage 1.65V)
5	低温 COLD RESISTANCE	温度:-40°C $\pm 2^\circ\text{C}$;时间:96小时 Temp:-40°C $\pm 2^\circ\text{C}$;Times:96h	$\Delta FL \leq \pm 5 \text{ppm}$ (Center Voltage 1.65V)
6	高温1 HEAT RESISTANCE 1	温度:100°C $\pm 2^\circ\text{C}$;时间:96小时 Temp:100°C $\pm 2^\circ\text{C}$;Times:96h	$\Delta FL \leq \pm 5 \text{ppm}$ (Center Voltage 1.65V)
7	高温2 HEAT RESISTANCE 2	温度:155°C $\pm 2^\circ\text{C}$;时间:2小时 Temp:155°C $\pm 2^\circ\text{C}$;Times:2h	$\Delta FL \leq \pm 5 \text{ppm}$ (Center Voltage 1.65V)
8	高温3 HEAT RESISTANCE 3	温度:85°C $\pm 2^\circ\text{C}$;电压:3.3V/5.0V;时间:96小时 Temp:85°C $\pm 2^\circ\text{C}$;Voltage:3.3V/5.0V;Times:96h	$\Delta FL \leq \pm 5 \text{ppm}$ (Center Voltage 1.65V)
9	回流焊 REFLOW	150°C $\pm 5^\circ\text{C}$ 保持120s后升到270°C $\pm 5^\circ\text{C}$ 保持10s, 升温 和保温时间小于200s, 常温放置1~2h后测定 Keep 150 °C \pm 5 °C 120s and then rose to 270 °C \pm 5 °C for 10s, warming and holding time is less than the 200s, placed at room temperature 1 ~ 2h after test	$\Delta FL \leq \pm 5 \text{ppm}$ (Center Voltage 1.65V)
10	盐雾 SALT SPRAY	盐雾浓度:5%;温度:35°C;时间:24小时 Salt density:5%;Temp:35°C;Times:24h	目测无明显腐蚀现象 Visual no significant corrosion.
11	老化 AGING	温度:85°C;时间:30天 Temp:85°C;Times:30days	$\Delta FL \leq \pm 5 \text{ppm}$ (Center Voltage 1.65V)
12	气密性 LEAKAGE	氦气(0.6~0.65MPa):10分钟 He(0.6~0.65MPa):10min	$\leq 3 \times 10^{-9} \text{Pa} \cdot \text{m}^3/\text{s}$
13	焊接 SOLDER	温度:260°C $\pm 5^\circ\text{C}$ Temp:260°C $\pm 5^\circ\text{C}$	浸锡率大于90% Soldering tin rate greater than 90%

SHENZHEN SCTF ELECTRONICS CO. , LTD

DATE	Voltage controlled quartz crystal oscillator 压控石英晶体振荡器规格书	Page:
2022/9/24	P/N: SX3V25.000B20100F30TNN Spec.NO.: SCTF2022LC926	7

■ Taping Specifications

UNIT(单位):mm(毫米)

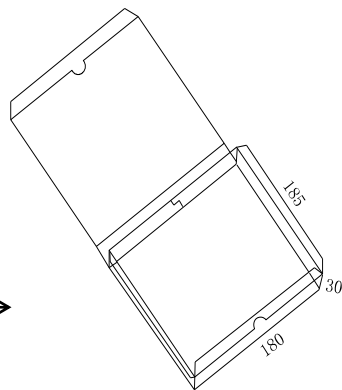


TEYE	A	B	C	D	E	F	G	H	I	J	K	L	M	N	O
3.2×2.5 SMD	0.25	3.60	1.30	8.00	3.50	2.90	4.00	4.00	2.00	1.50	2.00	4.00	13.00	60.00	180.00

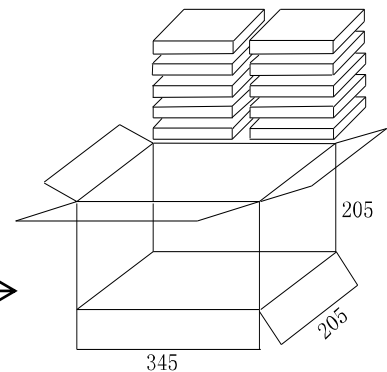
■ Packaging specifications



自封袋(Bag)
3000只 = 1 轮
3000pcs = 1 Reel



内包装(Inside package)
1 轮=1 盒
1 Reel=1 box



外包装(Outside Package)
10 盒=1 箱
10 box=1 carton

SHENZHEN SCTF ELECTRONICS CO. , LTD

DATE

Specification of quartz crystal oscillator
石英晶体振荡器规格书

Page:

2022/9/24

P/N: SX3V25.000B20100F30TNN
Spec.NO.: SCTF2022LC926

8

X-ON Electronics

Largest Supplier of Electrical and Electronic Components

Click to view similar products for [VCXO Oscillators](#) category:

Click to view products by [SCTF](#) manufacturer:

Other Similar products are found below :

[3808AI-DF-33NG-80.0000](#) [SIT3808AI-CF-33EM-50.000000X](#) [FRSONT019](#) [SiT3701AC-43-33C-10.00000X](#) [315LB3I1250T](#) [CVPD-922X-100.000](#) [FY3HCJM45.1584-BULK](#) [SiT3807AC-C2-33EB-12.288000Y](#) [NBVSPA015LN1TAG](#) [NBVSPA015LNHTAG](#) [NBVSPA019LNHTAG](#) [NBVSPA024LN1TAG](#) [CVHD-950-122.880](#) [CVHD-950-80.000](#) [CVHD-950X-100.000](#) [CVPD-920-100.000](#) [550AE100M000DG](#) [LFTVXO009900BULK](#) [LFTVXO009905BULK](#) [LFTVXO009909BULK](#) [LFTVXO009900](#) [BTCS5-40MCFACBT](#) [CVHD-950X-50.000](#) [ABLJO-V-122.880MHZ-T2](#) [XLP73V500.000000I](#) [357LB3I032M7680](#) [357LB3I040M0000](#) [357LB3I016M3840](#) [CVHD-950-76.800](#) [CVSS-945-50.000](#) [XLH73V060.000000X](#) [EV32C6A3A1-24.576M-TR](#) [ECXV-L37C2N-148.500](#) [CD-700-LAF-HAD-50M0000000-CT](#) [CVHD-950X-120.000](#) [ECXV-P37C2M-640.000](#) [LFTVXO076348CUTT](#) [CVPD-920-80.000](#) [LFTVXO076344CUTT](#) [ECXV-P37C2N-184.320](#) [LFTVXO076346CUTT](#) [LFTVXO072344CUTT](#) [LFTVXO076349CUTT](#) [LFVCXO025892BULK](#) [ASG-D-V-A-1.000GHZ](#) [ASG-D-V-A-491.520MHz](#) [CVHD-950-125.000](#) [CVHD-950-74.25](#) [LFTVXO009901BULK](#) [LFTVXO009907BULK](#)