

| | |
|----|---------------|
| 编号 | SCTF202305144 |
| 日期 | 2023/4/21 |
| 版本 | B01 |



承认书

SPECIFICATION FOR APPROVAL

| | |
|-----------------------|---------------------------------------------------|
| 客户名称 Customer Name: | 立创商城 |
| 供应商物料名称 Part Name: | 石英晶体谐振器 |
| 产品描述 Description: | SMD5032-2PIN陶瓷 12.000MHz/20pF/2PIN(Glass Seal) |
| 供应商物料料号 Part NO.: | SX5A12.000F2010F30G |
| 供应商名称 Supplier Name : | 深圳市星通时频电子有限公司 |

PLEASE CONFIRM OUR SPECIFICATION. 敬请确认规格书之内容。

| CUSTOMER APPROVAL 客户审批 | | |
|----------------------------|-----|-----|
| 物料代号 PART NO. _____ | | |
| 使用于机型 USED IN MODEL: _____ | | |
| 工程部 | 品质部 | 采购部 |
| | | |

(敬请承认后返回一份, 谢谢!)

| SUPPLIER APPROVAL 供应商审批 | | |
|-------------------------|---------|-------------|
| DGN.制表人 | CKD. 校对 | APPD. 审核、签章 |
| 吴丽红 | 李霞 | 胡华才 |

RoHS Compliant

| Revision Record | | | | |
|------------------------|--------------------|------------------------------------------------------------|-------------------|----------------|
| Rev. | Revise page 修订页 | Revise contents 修订内容 | Rev. Date 修订日期 | Reviser 修订人 |
| A02 | N/A | Initial released. | 2013/1/1 | Martin.Hu |
| A03 | N/A | The version is upgraded and the content remains unchanged. | 2018/2/25 | Martin.Hu |
| B01 | Page2 | The version is upgraded and add revision record page. | 2021/2/24 | Martin.Hu |
| | | | | |
| | | | | |
| | | | | |
| | | | | |
| | | | | |
| | | | | |
| | | | | |
| | | | | |
| | | | | |
| | | | | |
| | | | | |
| | | | | |
| | | | | |
| | | | | |
| | | | | |
| | | | | |
| | | | | |
| | | | | |
| | | | | |
| | | | | |
| | | | | |
| | | | | |
| | | | | |
| | | | | |
| | | | | |
| | | | | |
| | | | | |
| | | | | |

| SHENZHEN SCTF ELECTRONICS CO., LTD | | |
|------------------------------------|-------------------------------------------------------|--------------|
| DATE | Specification of quartz crystal 石英晶体谐振器规格书 | Page: |
| 2023/4/21 | P/N: SX5A12.000F2010F30G Spec.NO.: SCTF202305144 | 2 |

■ QUARTZ CRYSTAL UNIT SPECIFICATION

1. Crystal Unit Spec:

| N0. | Item | Symb. | Electrical Spec. | Notes |
|-----|-----------------------------------|----------------------------------------------------------------------------------------------|------------------------------|------------------------------------------------------------|
| 1 | Nominal Frequency 标称频率 | f | 12.000000 MHz | |
| 2 | Oscillation Mode 振荡模式 | | AT Fundamental | |
| 3 | Holder Type 封装 | | SMD5032 | Glass Seal |
| 4 | Frequency Tolerance 常温频差 | $\Delta f/f$ | $\pm 10\text{ppm}$ | at $25^\circ\text{C} \pm 2^\circ\text{C}$ |
| 5 | Drive Level 激励功率 | DL | 10 μW Typical | See the 2.1 |
| 6 | Load Capacitance 负载电容 | CL | 20pF | See the 2.2 |
| 7 | Effective Resistance 谐振电阻 | RR | 60 Ω max. | See the 2.3 |
| 8 | Shunt Capacitance 静电容 | CO | 5 pF max. | |
| 9 | Drive Level Dependency 激励功率依赖性 | DLD2 | 15 Ω Max. | Sweep from 100nW to 100uW in 20 steps. |
| 10 | Temperature Drift 温度频差 | f_tem | $\pm 30\text{ppm}$ | Over Operating Temp. Range (Reference 25°C) |
| 11 | Spurious response 寄生响应 | SPDB | -3dB max. | Start -1000ppm stop 5000ppm 30 steps power applied: 10dBm |
| 12 | Operating Temperature 工作温度范围 | T_use | $-40 \sim 85^\circ\text{C}$ | |
| 13 | Storage Temperature Range 存储温度 | T_stg | $-40 \sim 105^\circ\text{C}$ | |
| 14 | Insulation Resistance 绝缘阻抗 | IR | 500 M Ω | at DC 100V |
| 15 | Aging 年老化率 | f_age | $\pm 3 \text{ ppm}$ | 1st Year |
| 16 | Measurement Condition 测量条件 | Measured by S&A250B or equivalent, $T_A = 25^\circ\text{C} \pm 2^\circ\text{C}$, RH=40%~70% | | |

2. Circuit Conditions Spec:

2.1 Drive Level (DL) 300 μW max

(If Drive Level is too high, that may cause crystal resonator abnormal oscillation or damaged the main body of quartz)

2.2 Loading Capacitance (CL) : 20pF

(The total circuit load capacitance should be equal to the crystal (CL) values, too large or too small load, will result in frequency drift.)

2.3 Negative Resistance (-R) $\geq 300 \Omega$

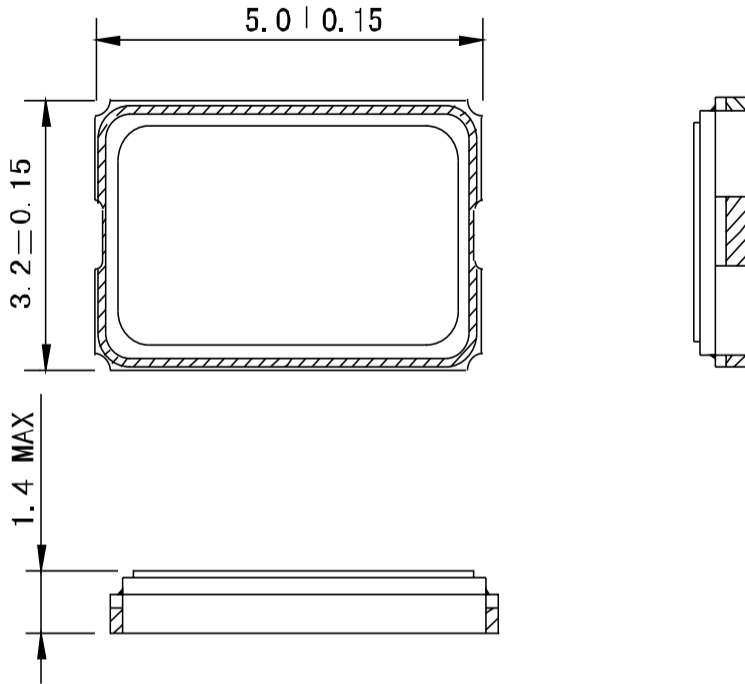
(If -R more than ESR spec of 5 times will be better. If Negative Resistance is too low, that may cause crystal resonator stop oscillation or not easy to oscillate)

| SHENZHEN SCTF ELECTRONICS CO., LTD | | |
|------------------------------------|-----------------------------------------------------|-------|
| DATE | Specification of quartz crystal 石英晶体谐振器规格书 | Page: |
| 2023/4/21 | P/N: SX5A12.000F2010F30G Spec.NO.: SCTF202305144 | 3 |

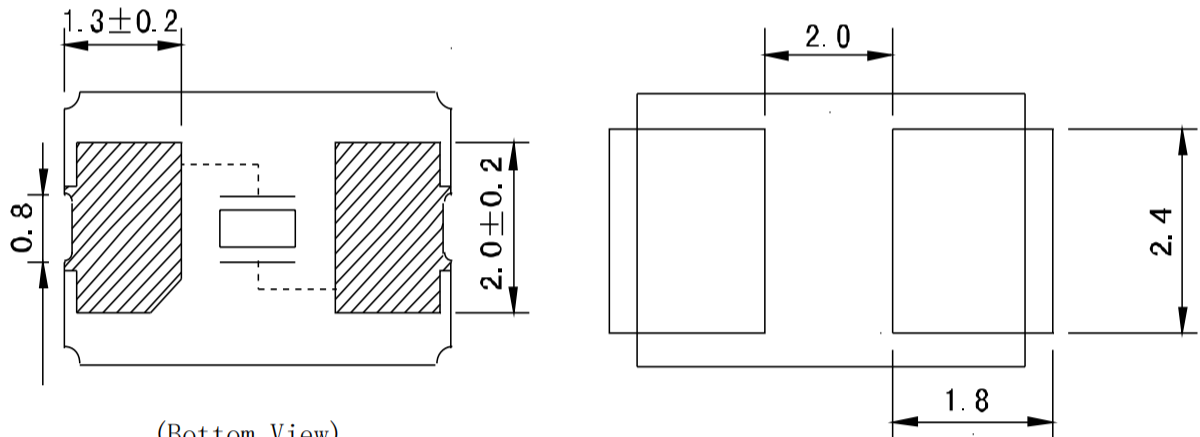
■ DIMENSIONS

Product size (产品尺寸)

Units (单位): mm(毫米)



Pad size (焊盘尺寸)



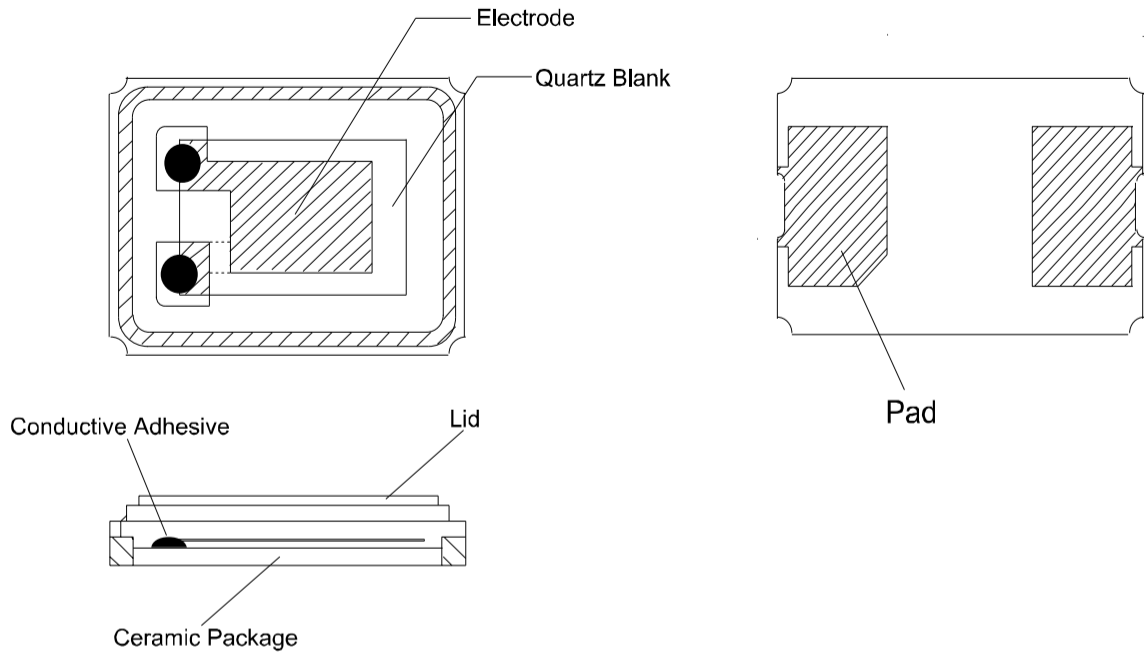
(Bottom View)
仰视图

suggested solder pad layout

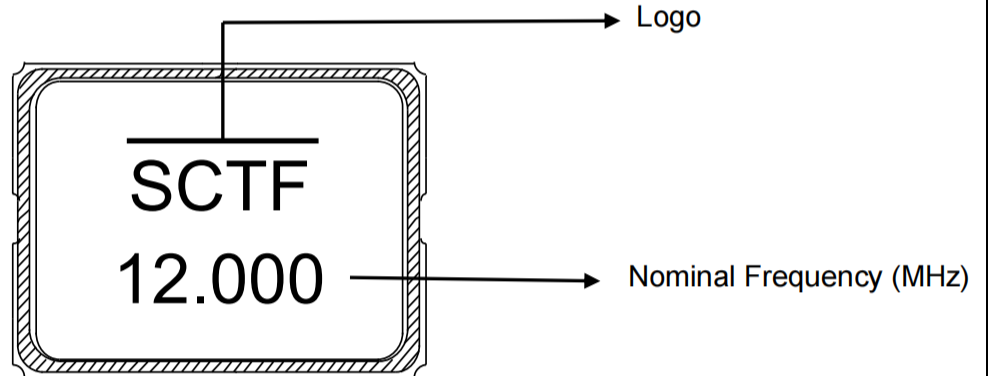
| SHENZHEN SCTF ELECTRONICS CO. , LTD | | |
|-------------------------------------|-----------------------------------------------------|-------|
| DATE | Specification of quartz crystal 石英晶体谐振器规格书 | Page: |
| 2023/4/21 | P/N: SX5A12.000F2010F30G Spec.NO.: SCTF202305144 | 4 |

■ PRODUCT STRUCTURE & MARKING

◆ Product Structure 产品结构



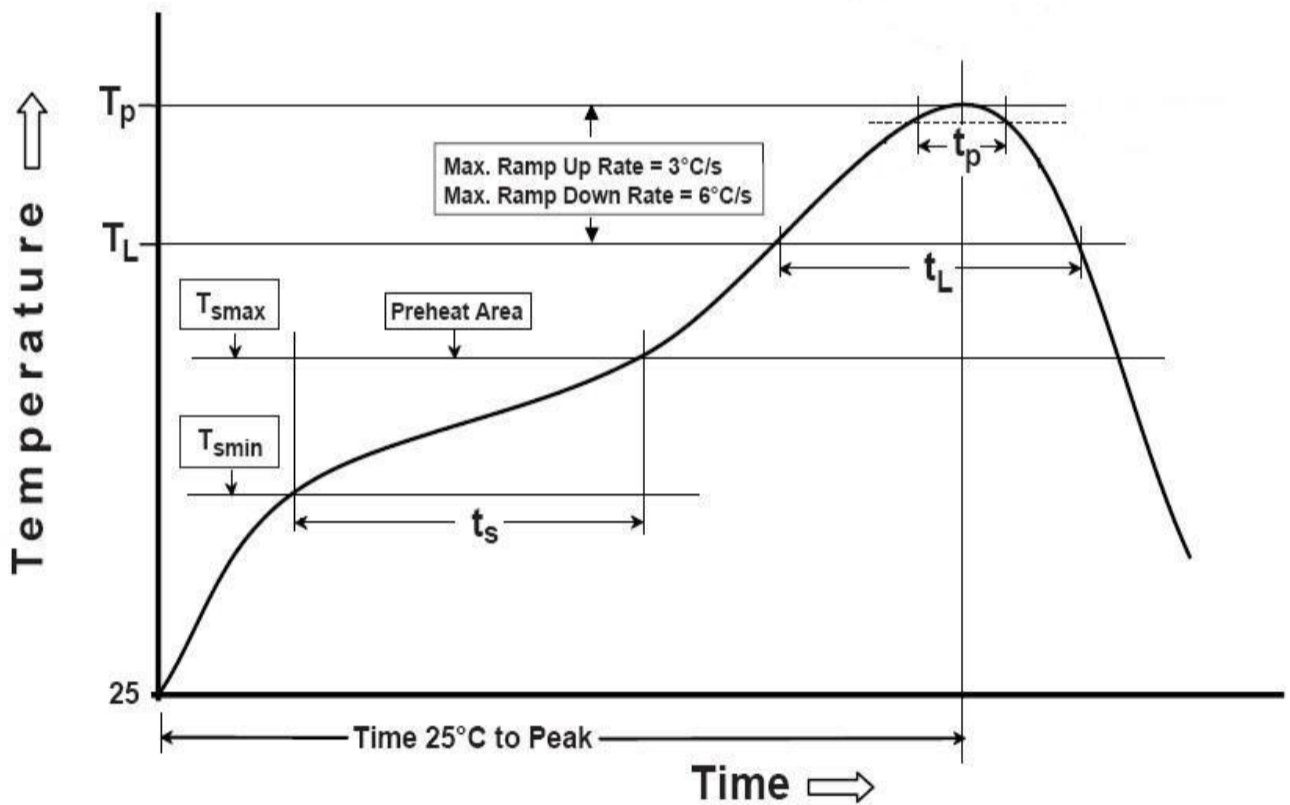
◆ Marking 印字



| SHENZHEN SCTF ELECTRONICS CO. , LTD | | |
|-------------------------------------|-----------------------------------------------------|-------|
| DATE | Specification of quartz crystal 石英晶体谐振器规格书 | Page: |
| 2023/4/21 | P/N: SX5A12.000F2010F30G Spec.NO.: SCTF202305144 | 5 |

REFLOW PROFILES

| Profile Feature | Sn-Pb Eutectic Assembly | Pb-Free Assembly |
|-------------------------------------------------------------------|-------------------------|------------------|
| Preheat/Soak | | |
| ● Temperature Min (Ts min) | 100 °C | 150 °C |
| ● Temperature Max (Ts max) | 150 °C | 200 °C |
| ● Time (Ts min to Ts max) | 60-120 seconds | 60-120 seconds |
| Ramp-up rate (TL to Tp) | 3 °C/second max. | 3 °C/second max. |
| Time maintained above | | |
| ● Liquidous temperature (TL) | 183 °C | 217 °C |
| ● Time (tL) maintained above TL | 60-150 seconds | 60-150 seconds |
| Peak package body temperature (Tp) | 235°C | 260°C |
| Time within 5 °C of the specified classification temperature (Tp) | 20 seconds | 30 seconds |
| Ramp-down rate (Tp to TL) | 6 °C/second max. | 6 °C/second max. |
| Time 25 °C to peak temperature | 6 minutes max. | 8 minutes max. |
| Suggest reflow times | 2 Times max. | |



SHENZHEN SCTF ELECTRONICS CO. , LTD

| DATE | Specification of quartz crystal 石英晶体谐振器规格书 | Page: |
|-----------|-----------------------------------------------------|-------|
| 2023/4/21 | P/N: SX5A12.000F2010F30G Spec.NO.: SCTF202305144 | 6 |

RELIABILITY SPECIFICATION

| 序号 NO. | 项目 ITEM | 条件 CONDITIONS | 合格标准 BASIS OF VERDICT |
|-----------|------------------------------|---------------------------------------------------------------------------------------------------------------------------------------------------------------------------------------------------------------------------------------------------------------------------------------------------------------------------------------------------------------------------|----------------------------------------------------------------------------|
| 1 | 跌落 DROP | 100cm高处自由跌落到3cm厚木板上,3次 High:100cm;Thickness:3cm;3 times. | $\Delta FL \leq \pm 5\text{ppm}$ $\Delta RR \leq RR(\text{max}) * 10\%$ |
| 2 | 振动 VIBRATION | 频率 Frequency:10~57.7Hz;幅度 Amplitude: $\pm 0.75\text{mm}$ 频率Frequency:57.7Hz~500Hz;加速度幅度acceleration rate:98m/s ² 周期 Cycle time:10-500-10Hz: 15min 振动方向 Direction:X,Y, Z 振动时间 Duration: 每个方向2小时 2 h/direction. | $\Delta FL \leq \pm 5\text{ppm}$ $\Delta RR \leq RR(\text{max}) * 10\%$ |
| 3 | 温度变化 TEMPERATURE SHOCK | $-40^{\circ}\text{C} \pm 2^{\circ}\text{C}$ (30min) \leftrightarrow $85^{\circ}\text{C} \pm 2^{\circ}\text{C}$ (30min);循环10次 $-40^{\circ}\text{C} \pm 2^{\circ}\text{C}$ (30min) \leftrightarrow $85^{\circ}\text{C} \pm 2^{\circ}\text{C}$ (30min);For 10 cycles | $\Delta FL \leq \pm 5\text{ppm}$ $\Delta RR \leq RR(\text{max}) * 10\%$ |
| 4 | 湿热 HUMIDITY | 温度: $60^{\circ}\text{C} \pm 2^{\circ}\text{C}$;湿度90-95%;时间:96小时 Temp: $60^{\circ}\text{C} \pm 2^{\circ}\text{C}$;Humidity:90-95%;Times:96h | $\Delta FL \leq \pm 5\text{ppm}$ $\Delta RR \leq RR(\text{max}) * 10\%$ |
| 5 | 低温 COLD RESISTANCE | 温度: $-40^{\circ}\text{C} \pm 2^{\circ}\text{C}$;时间:96小时 Temp: $-40^{\circ}\text{C} \pm 2^{\circ}\text{C}$;Times:96h | $\Delta FL \leq \pm 5\text{ppm}$ $\Delta RR \leq RR(\text{max}) * 10\%$ |
| 6 | 高温1 HEAT RESISTANCE 1 | 温度: $100^{\circ}\text{C} \pm 2^{\circ}\text{C}$;时间:96小时 Temp: $100^{\circ}\text{C} \pm 2^{\circ}\text{C}$;Times:96h | $\Delta FL \leq \pm 5\text{ppm}$ $\Delta RR \leq RR(\text{max}) * 10\%$ |
| 7 | 高温2 HEAT RESISTANCE 2 | 温度: $155^{\circ}\text{C} \pm 2^{\circ}\text{C}$;时间:2小时 Temp: $155^{\circ}\text{C} \pm 2^{\circ}\text{C}$;Times:2h | $\Delta FL \leq \pm 5\text{ppm}$ $\Delta RR \leq RR(\text{max}) * 10\%$ |
| 8 | 高温3 HEAT RESISTANCE 3 | 温度: $85^{\circ}\text{C} \pm 2^{\circ}\text{C}$;电压:3.3V/5.0V;时间:96小时 Temp: $85^{\circ}\text{C} \pm 2^{\circ}\text{C}$;Voltage:3.3V/5.0V;Times:96h | $\Delta FL \leq \pm 5\text{ppm}$ $\Delta RR \leq RR(\text{max}) * 10\%$ |
| 9 | 回流焊 REFLOW | $150^{\circ}\text{C} \pm 5^{\circ}\text{C}$ 保持120s后升到 $270^{\circ}\text{C} \pm 5^{\circ}\text{C}$ 保持10s, 升温 和保温时间小于200s, 常温放置1~2h后测定 Keep $150^{\circ}\text{C} \pm 5^{\circ}\text{C}$ 120s and then rose to $270^{\circ}\text{C} \pm 5^{\circ}\text{C}$ for 10s, warming and holding time is less than the 200s, placed at room temperature 1 ~ 2h after test | $\Delta FL \leq \pm 5\text{ppm}$ $\Delta RR \leq RR(\text{max}) * 10\%$ |
| 10 | 盐雾 SALT SPRAY | 盐雾浓度:5%;温度: 35°C ;时间:24小时 Salt density:5%;Temp: 35°C ;Times:24h | 目测无明显腐蚀现象 Visual no significant corrosion. |
| 11 | 老化 AGING | 温度: 85°C ;时间:30天 Temp: 85°C ;Times:30days | $\Delta FL \leq \pm 5\text{ppm}$ $\Delta RR \leq RR(\text{max}) * 10\%$ |
| 12 | 气密性 LEAKAGE | 氦气(0.6~0.65MPa):10分钟 He(0.6~0.65MPa):10min | $\leq 3 * 10^{-9}\text{Pa} \cdot \text{m}^3/\text{s}$ |
| 13 | 焊接 SOLDER | 温度: $260^{\circ}\text{C} \pm 5^{\circ}\text{C}$ Temp: $260^{\circ}\text{C} \pm 5^{\circ}\text{C}$ | 浸锡率大于90% Soldering tin rate greater than 90% |

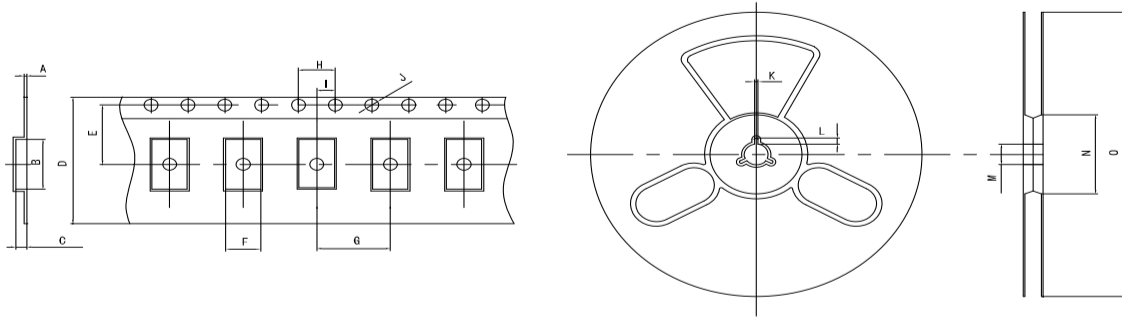
SHENZHEN SCTF ELECTRONICS CO. , LTD

| DATE | Specification of quartz crystal 石英晶体谐振器规格书 | Page: |
|-----------|-----------------------------------------------------|-------|
| 2023/4/21 | P/N: SX5A12.000F2010F30G Spec.NO.: SCTF202305144 | 7 |

PACKAGE

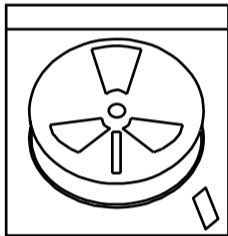
◆ Taping Specifications 编带规格

UNIT(单位):mm(毫米)

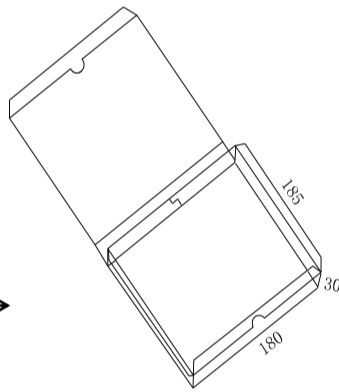


| TEYE | A | B | C | D | E | F | G | H | I | J | K | L | M | N | O |
|-----------|-----|-----|-----|------|-----|-----|-----|-----|-----|-----|-----|-----|------|------|-------|
| 5×3.2 SMD | 0.3 | 5.5 | 1.2 | 12.0 | 5.5 | 3.7 | 8.0 | 4.0 | 2.0 | 1.5 | 2.0 | 4.0 | 13.0 | 50.0 | 180.0 |

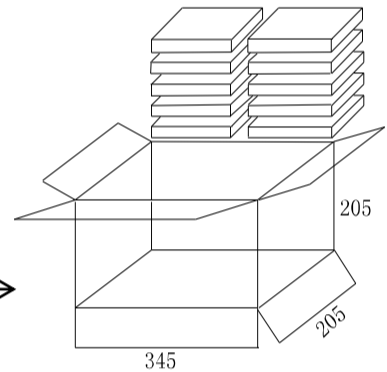
◆ Packaging specifications 包装规格



自封袋(Bag)
1000只 = 1 轮
1000pcs = 1 Reel



内包装(Inside package)
1 轮=1 盒
1 Reel=1 box



外包装(Outside Package)
10 盒=1 箱
10 box=1 carton

| SHENZHEN SCTF ELECTRONICS CO. , LTD | | |
|-------------------------------------|-----------------------------------------------------|-------|
| DATE | Specification of quartz crystal 石英晶体谐振器规格书 | Page: |
| 2023/4/21 | P/N: SX5A12.000F2010F30G Spec.NO.: SCTF202305144 | 8 |

X-ON Electronics

Largest Supplier of Electrical and Electronic Components

Click to view similar products for [Crystals](#) category:

Click to view products by [SCTF](#) manufacturer:

Other Similar products are found below :

[CX3225GB25000M0PPSZ1](#) [718-13.2-1](#) [7A-40.000MAAE-T](#) [FL2000085](#) [99-BU](#) [9B-15.360MBBK-B](#) [9C-7.680MBBK-T](#) [H10S-12.000-18-EXT-TR](#) [ABC2-6.000MHZ-D4Z-T](#) [ABLS-20.000MHZ-D2-T](#) [ABS071-32.768KHZ-6-T](#) [R38-32.768-12.5-5PPM-NPB](#) [BTD1062E05A-513](#) [21U15A-21.4MHZ](#) [RTX-781DF1-S-20.950](#) [LFXTAL066198Cutt](#) [9C-14.31818MBBK-T](#) [A-11.000MHZ-27](#) [ABL-27.000MHZ-B4Y-T](#) [ABM11-132-24.000MHZ-T3](#) [ABM3B1-25.000MHZ-D2Y-T](#) [SPT2A-.032768B](#) [SPT2A.032768G](#) [SSPT7F-9PF20-R](#) [LFXTAL065253Cutt](#) [LFXTAL066431Cutt](#) [XT9S20ANA14M7456](#) [XT9SNLANA16M](#) [7A-24.576MBBK-T](#) [7B-30.000MBBK-T](#) [MMCC2R32.7680KHZ](#) [7A-14.31818MBBK-T](#) [6504-202-1501](#) [6526-202-1501](#) [ABLS-12.000MHZ-B2Y-T](#) [7A-10.000MBBK-T](#) [SG636PCE-20.000MC](#) [3404](#) [E1SAA18-25.000M TR](#) [CM315D32768EZFT](#) [C1E-24.000-7-2020-R](#) [C1E-19.200-12-1530-X-R](#) [C1E-16.000-12-1530-X-R](#) [ABM11-16.000MHZ-9-B1U-T](#) [FL5000014](#) [EUCA18-3.1872M](#) [FX0800015](#) [425F35E027M0000](#) [FP0800018](#) [MS3V-T1R-32.768kHz-7pF-20PPM-TA-QC-Au](#)