

|    |               |
|----|---------------|
| 编号 | SCTF202306183 |
| 日期 | 2023/6/15     |
| 版本 | B01           |



# 承认书

## SPECIFICATION FOR APPROVAL

|                       |                              |
|-----------------------|------------------------------|
| 客户名称 Customer Name:   | 立创商城                         |
| 供应商物料名称 Part Name:    | 石英晶体振荡器                      |
| 产品描述 Description:     | OSC SMD5032 14.31818MHz/3.3V |
| 供应商物料料号 Part NO.:     | SX5M14.31818B10F20TNN        |
| 供应商名称 Supplier Name : | 深圳市星通时频电子有限公司                |

PLEASE CONFIRM OUR SPECIFICATION. 敬请确认规格书之内容。

| CUSTOMER APPROVAL 客户审批     |     |     |
|----------------------------|-----|-----|
| 物料代号 PART NO. _____        |     |     |
| 使用于机型 USED IN MODEL: _____ |     |     |
| 工程部                        | 品质部 | 采购部 |
|                            |     |     |

(敬请承认后返回一份, 谢谢!)

| SUPPLIER APPROVAL 供应商审批 |         |             |
|-------------------------|---------|-------------|
| DGN.制表人                 | CKD. 校对 | APPD. 审核、签章 |
| 吴丽红                     | 李霞      | 胡华才         |

**RoHS Compliant**

| <b>Revision Record</b> |                    |  |                   |                |
|------------------------|--------------------|--|-------------------|----------------|
| Rev.                   | Revise page<br>修订页 | Revise contents<br>修订内容                                    | Rev. Date<br>修订日期 | Reviser<br>修订人 |
| A02                    | N/A                | Initial released.  | 2013/1/1          | Martin.Hu      |
| A03                    | N/A                | The version is upgraded and the content remains unchanged. | 2018/2/25         | Martin.Hu      |
| B01                    | Page2              | The version is upgraded and add revision record page.      | 2021/2/24         | Martin.Hu      |
|                        |                    |  |                   |                |
|                        |                    |  |                   |                |
|                        |                    |  |                   |                |
|                        |                    |  |                   |                |
|                        |                    |  |                   |                |
|                        |                    |  |                   |                |
|                        |                    |  |                   |                |
|                        |                    |  |                   |                |
|                        |                    |  |                   |                |
|                        |                    |  |                   |                |
|                        |                    |  |                   |                |
|                        |                    |  |                   |                |
|                        |                    |  |                   |                |
|                        |                    |  |                   |                |
|                        |                    |  |                   |                |
|                        |                    |  |                   |                |
|                        |                    |  |                   |                |
|                        |                    |  |                   |                |
|                        |                    |  |                   |                |
|                        |                    |  |                   |                |
|                        |                    |  |                   |                |
|                        |                    |  |                   |                |
|                        |                    |  |                   |                |
|                        |                    |  |                   |                |
|                        |                    |  |                   |                |
|                        |                    |  |                   |                |

| SHENZHEN SCTF ELECTRONICS CO., LTD |  |              |
|------------------------------------|--|--------------|
| <b>DATE</b>                        | <b>Specification of quartz crystal oscillator<br/>石英晶体振荡器规格书</b> | <b>Page:</b> |
| 2023/6/15                          | P/N: SX5M14.31818B10F20TNN<br>Spec.NO.: SCTF202306183            | 2            |

■ Electrical Specification 电气参数

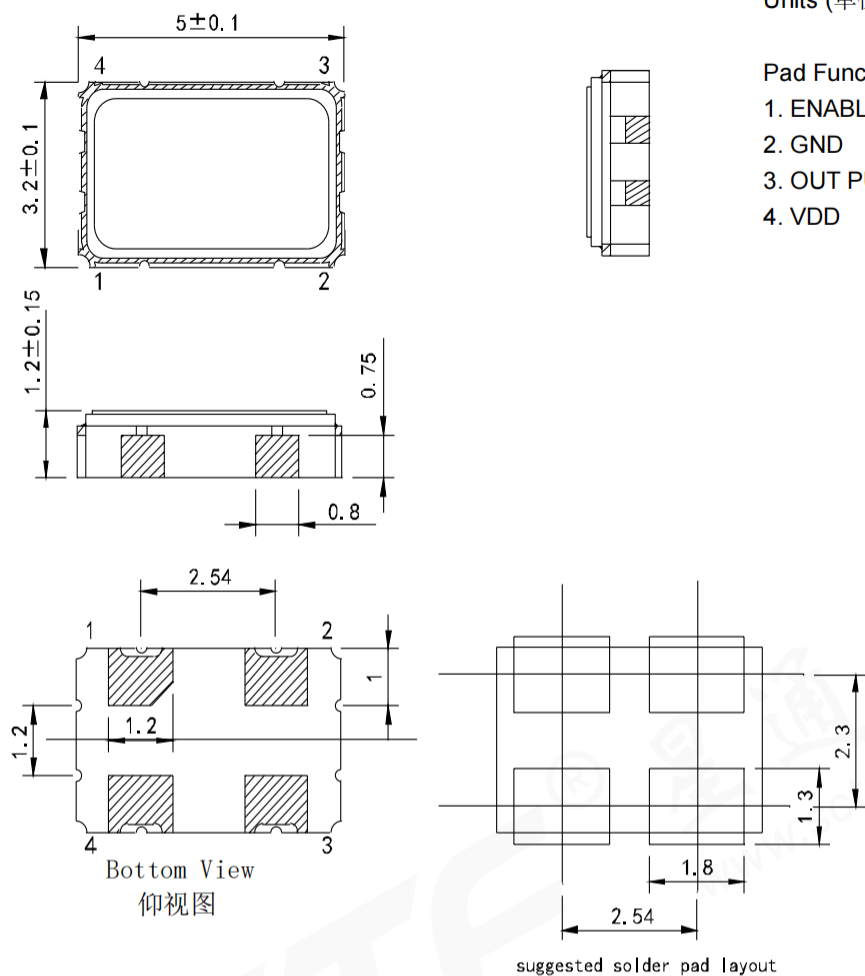
| N0. | Item                                   | Electrical Spec. | Notes  |
|-----|--|------------------|--|
| 1   | Holder Type<br>封装                      | OSC SMD5032      |  |
| 2   | Nominal Frequency<br>标称频率              | 14.318180 MHz    |  |
| 3   | Frequency stability<br>常温频差            | ±10ppm           | at 25°C±2°C  |
| 4   | Temperature Drift<br>温度频差              | ±20ppm           | at -40~85°C  |
| 5   | Operating voltage<br>工作电压              | 3.3V             | ±10% max.  |
| 6   | Output<br>输出模式                         | CMOS             |  |
| 7   | Output load condition<br>负载            | 15pF             |  |
| 8   | Current consumption<br>消耗电流            | 10 mA max.       |  |
| 9   | Operating temperature range<br>工作温度范围  | -40~85°C         |  |
| 10  | Storage Temperature Range<br>存储温度范围    | -55~105°C        |  |
| 11  | Duty Cycle<br>占空比                      | 45%-55%          |  |
| 12  | Rise / Fall Time<br>上升/下降沿时间           | 5 nS max.        |  |
| 13  | High output voltage<br>高电平             | 0.9Vdd min.      |  |
| 14  | Low output voltage<br>低电平              | 0.1Vdd max.      |  |
| 15  | Start-up Time<br>起振时间                  | 5mS max.         | To 90% of Final Amplitude  |
| 16  | Enable Voltage High (Logic 1)<br>使能高电平 | 70%VDD min.      | Output will be enable if OE is Logic 1 or open ;<br>Output will be disable if OE is Logic 0.<br>输出使能OE是高电平1或者悬空，频率输出；<br>输出使能OE是低电平0，则无频率输出。 |
| 17  | Enable Voltage Low (Logic 0)<br>使能低电平  | 30%VDD max.      |  |
| 18  | Enable Delay Time<br>使能延迟              | 150 uS max..     |  |
| 19  | Aging<br>老化                            | ±3ppm            | 1st. Year at 25°C  |

SHENZHEN SCTF ELECTRONICS CO. , LTD

| DATE      | Specification of quartz crystal oscillator<br>石英晶体振荡器规格书 | Page: |
|-----------|--|-------|
| 2023/6/15 | P/N: SX5M14.31818B10F20TNN<br>Spec.NO.: SCTF202306183    | 3     |

## ■ DIMENSIONS 产品尺寸

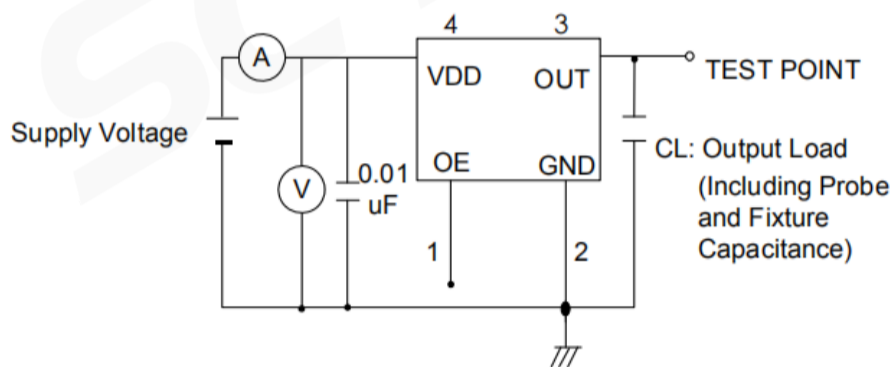
Units (单位): mm(毫米)



Pad Functions:

1. ENABLE CONTROL
2. GND
3. OUT PUT
4. VDD

## ■ TESTING CIRCUIT 测试电路



※ Notes: PIN 1 connected to Vdd or floating, the product is working properly; connected to GND, stops working.

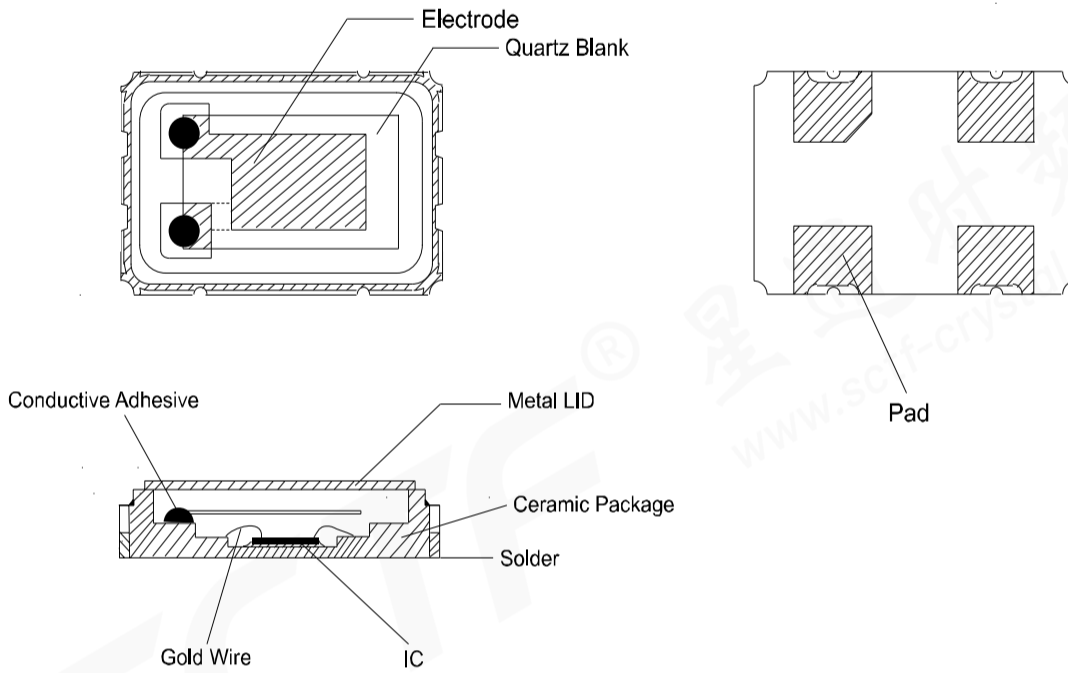
| SHENZHEN SCTF ELECTRONICS CO. , LTD |  |       |
|-------------------------------------|--|-------|
| DATE                                | Specification of quartz crystal oscillator<br>石英晶体振荡器规格书 | Page: |
| 2023/6/15                           | P/N: SX5M14.31818B10F20TNN<br>Spec.NO.: SCTF202306183    | 4     |

■ **WAVEFORM CONDITIONS** 输出波形

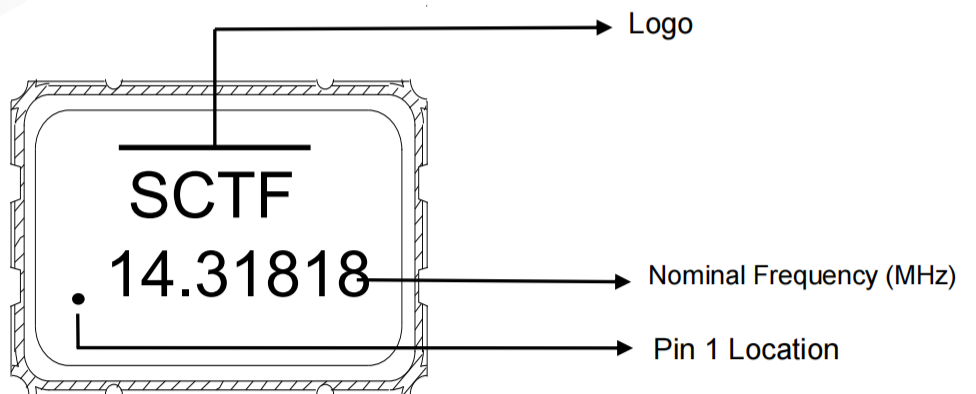


Waveform measurement system should have a min. bandwidth of 5 times the frequency being tested.

■ **Product Structure** 产品结构



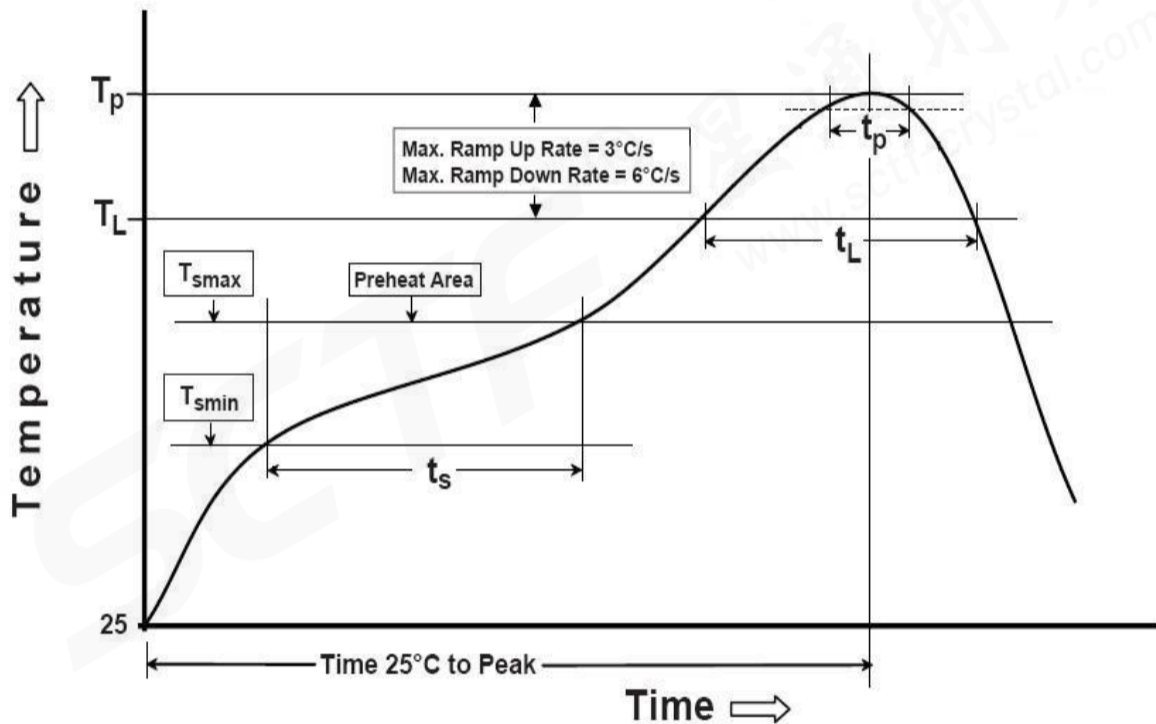
■ **Marking** 印字



|                                     |  |       |
|-------------------------------------|--|-------|
| SHENZHEN SCTF ELECTRONICS CO. , LTD |  |       |
| DATE                                | Specification of quartz crystal oscillator<br>石英晶体振荡器规格书 | Page: |
| 2023/6/15                           | P/N: SX5M14.31818B10F20TNN<br>Spec.NO.: SCTF202306183    | 5     |

## REFLOW PROFILES 回流焊条件

| Profile Feature   | Sn-Pb Eutectic Assembly | Pb-Free Assembly |
|---|-------------------------|------------------|
| Preheat/Soak  |                         |                  |
| ● Temperature Min (Ts min)  | 100 °C                  | 150 °C           |
| ● Temperature Max (Ts max)  | 150 °C                  | 200 °C           |
| ● Time (Ts min to Ts max)   | 60-120 seconds          | 60-120 seconds   |
| Ramp-up rate (TL to Tp)   | 3 °C/second max.        | 3 °C/second max. |
| Time maintained above   |                         |                  |
| ● Liquidous temperature (TL)                                      | 183 °C                  | 217 °C           |
| ● Time (tL) maintained above TL                                   | 60-150 seconds          | 60-150 seconds   |
| Peak package body temperature (Tp)                                | 235 °C                  | 260 °C           |
| Time within 5 °C of the specified classification temperature (Tp) | 20 seconds              | 30 seconds       |
| Ramp-down rate (Tp to TL)   | 6 °C/second max.        | 6 °C/second max. |
| Time 25 °C to peak temperature                                    | 6 minutes max.          | 8 minutes max.   |
| <b>Suggest reflow times</b>                                       | <b>3 Times max.</b>     |                  |



SHENZHEN SCTF ELECTRONICS CO., LTD

| DATE      | Specification of quartz crystal oscillator<br>石英晶体振荡器规格书 | Page: |
|-----------|--|-------|
| 2023/6/15 | P/N: SX5M14.31818B10F20TNN<br>Spec.NO.: SCTF202306183    | 6     |

## ■ RELIABILITY SPECIFICATION 可靠性参数

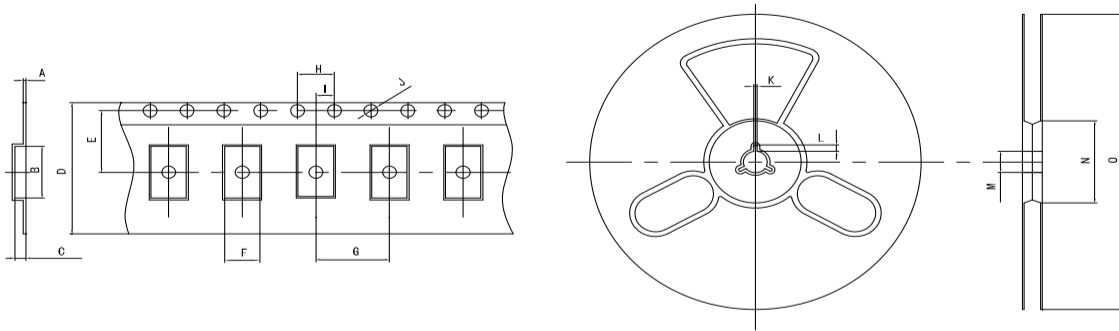
| 序号<br>NO. | 项目<br>ITEM                | 条件<br>CONDITIONS   | 合格标准<br>BASIS OF VERDICT                                    |
|-----------|---------------------------|--|---|
| 1         | 跌落<br>DROP                | 100cm高处自由跌落到3cm厚木板上,3次<br>High:100cm;Thickness:3cm;3 times.  | $\Delta FL \leq \pm 5 \text{ppm}$                           |
| 2         | 振动<br>VIBRATION           | 频率 Frequency:10~57.7Hz:幅度 Amplitude: $\pm 0.75 \text{mm}$<br>频率Frequency:57.7Hz~500Hz:加速度幅度acceleration<br>rate:98m/s <sup>2</sup><br>周期 Cycle time:10-500-10Hz: 15min<br>振动方向 Direction:X, Y, Z<br>振动时间 Duration: 每个方向2小时 2 h/direction.  | $\Delta FL \leq \pm 5 \text{ppm}$                           |
| 3         | 温度变化<br>TEMPERATURE SHOCK | -40°C $\pm 2^\circ\text{C}$ (30min) $\leftrightarrow$ 85°C $\pm 2^\circ\text{C}$ (30min);循环10次<br>-40°C $\pm 2^\circ\text{C}$ (30min) $\leftrightarrow$ 85°C $\pm 2^\circ\text{C}$ (30min);For 10<br>cycles  | $\Delta FL \leq \pm 5 \text{ppm}$                           |
| 4         | 湿热<br>HUMIDITY            | 温度:40°C $\pm 2^\circ\text{C}$ ;湿度90-95%;时间:96小时<br>Temp:40°C $\pm 2^\circ\text{C}$ ;Humidity:90-95%;Times:96h  | $\Delta FL \leq \pm 5 \text{ppm}$                           |
| 5         | 低温<br>COLD RESISTANCE     | 温度:-40°C $\pm 2^\circ\text{C}$ ;时间:96小时<br>Temp:-40°C $\pm 2^\circ\text{C}$ ;Times:96h   | $\Delta FL \leq \pm 5 \text{ppm}$                           |
| 6         | 高温1<br>HEAT RESISTANCE 1  | 温度:100°C $\pm 2^\circ\text{C}$ ;时间:96小时<br>Temp:100°C $\pm 2^\circ\text{C}$ ;Times:96h   | $\Delta FL \leq \pm 5 \text{ppm}$                           |
| 7         | 高温2<br>HEAT RESISTANCE 2  | 温度:155°C $\pm 2^\circ\text{C}$ ;时间:2小时<br>Temp:155°C $\pm 2^\circ\text{C}$ ;Times:2h   | $\Delta FL \leq \pm 5 \text{ppm}$                           |
| 8         | 高温3<br>HEAT RESISTANCE 3  | 温度:85°C $\pm 2^\circ\text{C}$ ;电压:3.3V/5.0V;时间:96小时<br>Temp:85°C $\pm 2^\circ\text{C}$ ;Voltage:3.3V/5.0V;Times:96h  | $\Delta FL \leq \pm 5 \text{ppm}$                           |
| 9         | 回流焊<br>REFLOW             | 150°C $\pm 5^\circ\text{C}$ 保持120s后升到270°C $\pm 5^\circ\text{C}$ 保持10s, 升温和<br>保温时间小于200s, 常温放置1~2h后测定<br>Keep 150 °C $\pm$ 5 °C 120s and then rose to 270 °C $\pm$ 5 °C<br>for 10s, warming and holding time is less than the 200s,<br>placed at room temperature 1 ~ 2h after test | $\Delta FL \leq \pm 5 \text{ppm}$                           |
| 10        | 盐雾<br>SALT SPRAY          | 盐雾浓度:5%;温度:35°C;时间:24小时<br>Salt density:5%;Temp:35°C;Times:24h   | 目测无明显腐蚀现象<br>Visual no significant<br>corrosion.            |
| 11        | 老化<br>AGING               | 温度:85°C;时间:30天<br>Temp:85°C;Times:30days   | $\Delta FL \leq \pm 5 \text{ppm}$                           |
| 12        | 气密性<br>LEAKAGE            | 氦气(0.6~0.65MPa):10分钟<br>He(0.6~0.65MPa):10min  | $\leq 3 \times 10^{-9} \text{Pa} \cdot \text{m}^3/\text{s}$ |
| 13        | 焊接<br>SOLDER              | 温度:260°C $\pm 5^\circ\text{C}$<br>Temp:260°C $\pm 5^\circ\text{C}$   | 浸锡率大于90%<br>Soldering tin rate<br>greater than 90%          |

### SHENZHEN SCTF ELECTRONICS CO. , LTD

| DATE      | Specification of quartz crystal oscillator<br>石英晶体振荡器规格书 | Page: |
|-----------|--|-------|
| 2023/6/15 | P/N: SX5M14.31818B10F20TNN<br>Spec.NO.: SCTF202306183    | 7     |

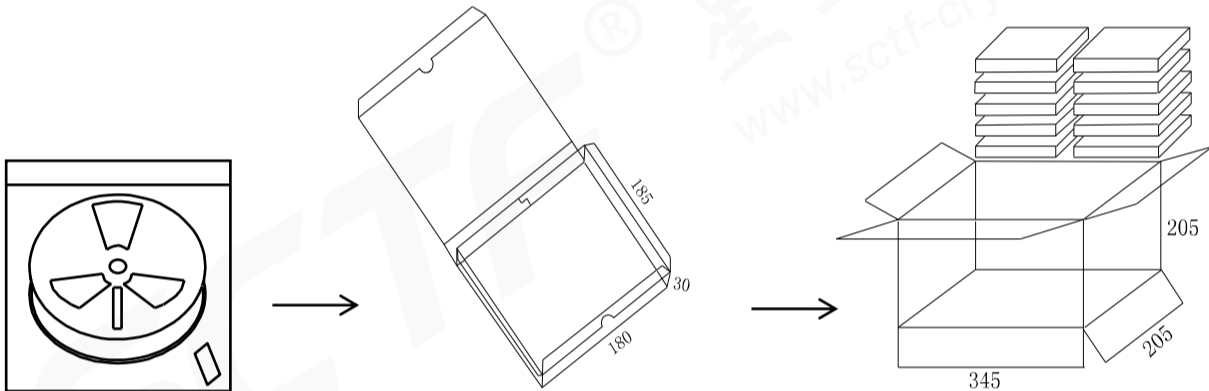
◆ Taping Specifications 编带参数

UNIT(单位):mm(毫米)



| TEYE      | A    | B    | C    | D     | E    | F    | G    | H    | I    | J    | K    | L    | M     | N     | O      |
|-----------|------|------|------|-------|------|------|------|------|------|------|------|------|-------|-------|--------|
| 5×3.2 SMD | 0.30 | 7.50 | 1.50 | 12.00 | 5.50 | 3.70 | 8.00 | 4.00 | 2.00 | 1.50 | 2.00 | 4.00 | 13.00 | 60.00 | 180.00 |

◆ Packaging specifications 包装参数



自封袋 (Bag)  
1000只 = 1 轮  
1000pcs = 1 Reel

内包装 (Inside package)  
1 轮=1 盒  
1 Reel=1 box

外包装 (Outside Package )  
10 盒=1 箱  
10 box=1 carton

| SHENZHEN SCTF ELECTRONICS CO. , LTD |  |       |
|-------------------------------------|--|-------|
| DATE                                | Specification of quartz crystal oscillator<br>石英晶体振荡器规格书 | Page: |
| 2023/6/15                           | P/N: SX5M14.31818B10F20TNN<br>Spec.NO.: SCTF202306183    | 8     |



## X-ON Electronics

Largest Supplier of Electrical and Electronic Components

*Click to view similar products for [Standard Clock Oscillators](#) category:*

*Click to view products by [SCTF](#) manufacturer:*

Other Similar products are found below :

[601252](#) [F335-25](#) [F535L-33.333](#) [F535L-50](#) [NBXHBA019LN1TAG](#) [SiT1602BI-22-33E-50.000000E](#) [SIT8918AA-11-33S-50.000000G](#)  
[SM4420TEV-40.0M-T1K](#) [F335-24](#) [F335-40](#) [F535L-10](#) [F535L-12](#) [F535L-24](#) [F535L-27](#) [PE7744DW-100.0M](#) [ASF1-3.686MHZ-N-K-S](#) [ASV-](#)  
[4.000MHZ-LCS-T](#) [XO57CTECNA3M6864](#) [601251](#) [SiT8503AI-18-33E-0.200000X](#) [SIT9122AI2C233E300.000000X](#) [9120AC-2D2-](#)  
[33E212.500000](#) [9102AI-243N25E100.000000](#) [8208AC-82-18E-25.000000](#) [8008AI-72-XXE-24.545454E](#) [8004AC-13-33E-133.330000X](#) [AS-](#)  
[4.9152-16-SMD-TR](#) [ASFL1-48.000MHZ-LC-T](#) [632L3I004M000000](#) [SIT8920AM-31-33E-25.000000](#) [DSC1028DI2-019.2000](#) [9121AC-2C3-](#)  
[25E100.000000](#) [9102AI-233N33E100.000000X](#) [9102AI-233N25E200.000000](#) [9102AI-232H25S125.000000](#) [9102AI-133N25E200.000000](#) [9102AC-](#)  
[283N25E200.000000](#) [9001AC-33-33E1-30.000000](#) [8103AC-13-33E-12.000000X](#) [3921AI-2CF-33NZ125.000000](#) [5730-1SF](#) [XUN736000.032768I](#)  
[ASV-25.000MHZ-ECS-50-T](#) [EC3925ETTTS-100.000M TR](#) [SIT1602BC-83-33E-10.000000Y](#) [8003AI-12-33S-40.000000Y](#) [1602BI-13-33S-](#)  
[19.200000E](#) [8208AI-2F-18E-25.000000X](#) [8103AI-83-33E-33.000000X](#) [8208AI-8F-33E-66.666666X](#)