

# 5VA Series 5.0 x 3.2 mm SMD Crystal Oscillator

5 : 5.0×3.2×1.25 mm | SMD5032-6P

VA : VCXO Crystal Oscillator [6PAD]

## Feature

- Ceramic surface mount with Metal Lid
- Wide Absolute pulling range:±50ppm min.
- CMOS compatible logic levels
- RoHS Compliant / Pb Free

## Applications

- Networking, SONET/SDH
- Direct Digital Synthesis (DDS)
- DSL/ADSL
- Base Terminal Stations



## Electrical Specifications

Item	Symb.	Min.	Typ.	Max.	Unit	Notes
Frequency Range	Freq.	2.048		54.000	MHz	
Operating Temperature	T_use	-20		+70	°C	
		-40		+85	°C	
Storage Temperature Range	T_stg	-55		+125	°C	
Supply Voltage	Vdd	2.97	3.3	3.63	V	
Output Load	L_CMOS		15		pF	
Current Consumption	Icc			10	mA	2.4MHz ≤ Freq. < 36MHz
				15		36MHz ≤ Freq. < 54MHz
Absolute Pull Range	APR	±50			ppm	
Center Voltage	Vcont		1.65		V	
Control Voltage Range	Vc	0.3		3.0	V	
Linearity	L			10	%	
Modulation Band Width	MBW	15			KHz	
VC Input Impedance	Rin	5			MΩ	
Duty Cycle	SYM	45		55	%	50 % Vdd level, L_CMOS ≤ 15 pF
High output voltage	VoH	0.9Vdd			V	
Low output voltage	VoL			0.1Vdd	V	
Enable Voltage High(Logic 1)	VIH	0.7Vdd			V	Output will be disable if OE is Logic 0 Output will be enable if OE is Logic 1 or open
Enable Voltage Low(Logic 0)	VIL			0.3Vdd	V	
Rise / Fall Time	TR/TF			5	nS	10% Vdd to 90% Level
Start-up Time	T_str			2	mS	To 90% of Final Amplitude
Aging	f_age			3	ppm	1st. Year at 25°C

## Frequency Stability & Operating Temperature Range

Temp.	FT	±25ppm	±50ppm
	-20°C to +70°C	★	★
-40°C to +85°C	△	★	

★: Available    △: Conditional

All condition: Include 25°C tolerance, operating temperature range, input voltage change, aging, load change.

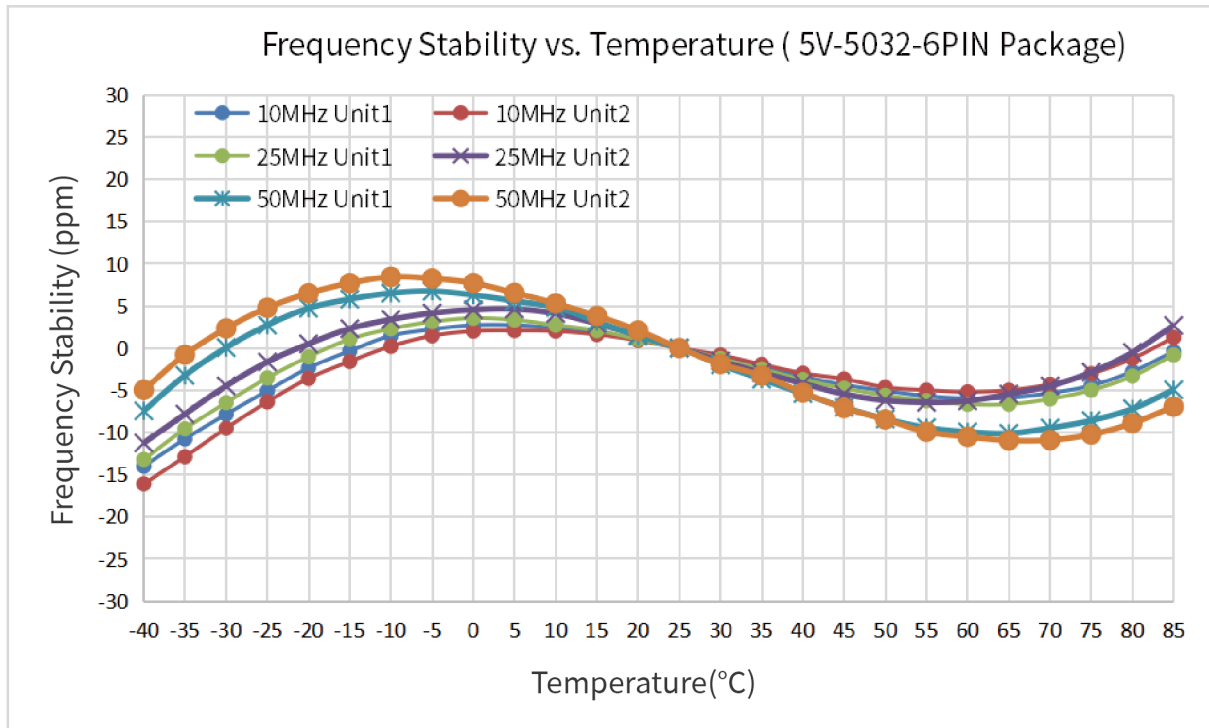


# 5VA Series 5.0 x 3.2 mm SMD Crystal Oscillator

5 : 5.0×3.2×1.25 mm | SMD5032-6P

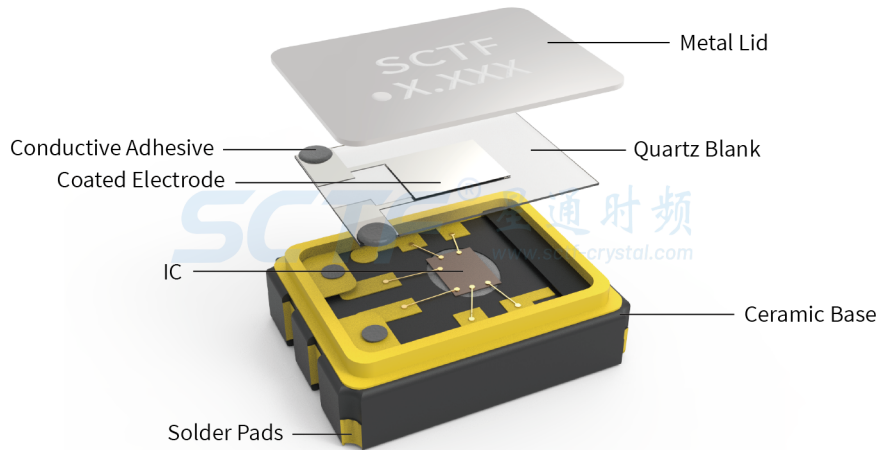
VA : VCXO Crystal Oscillator [6PAD]

## Frequency Temperature Characteristics

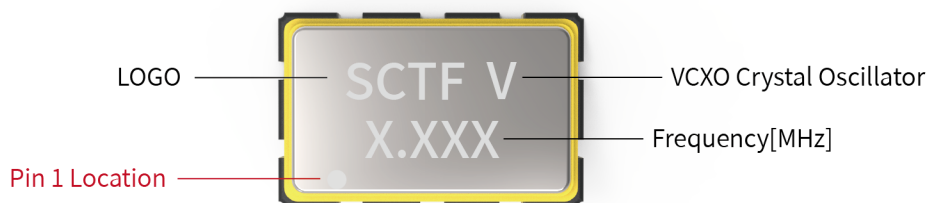


## Product Structure & Marking Information

### Product Structure



### Marking Information

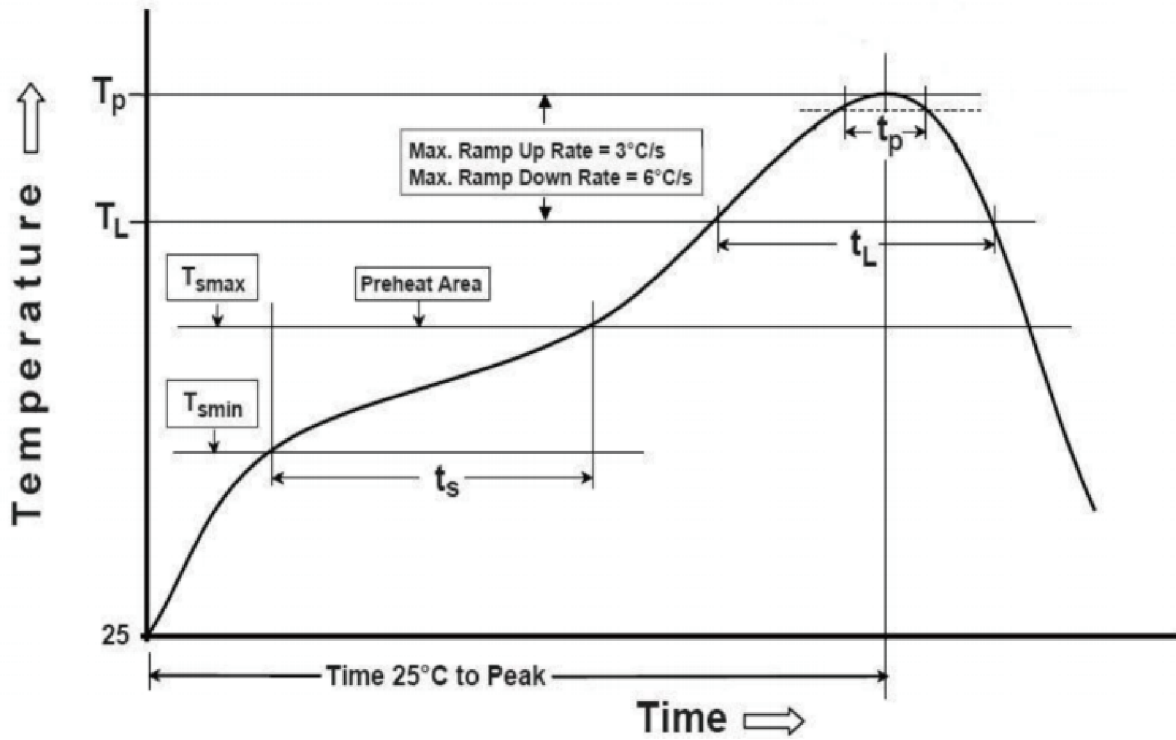


# 5VA Series 5.0 x 3.2 mm SMD Crystal Oscillator

5 : 5.0×3.2×1.25 mm | SMD5032-6P

VA : VCXO Crystal Oscillator [6PAD]

## Suggested Reflow Profile



Profile Feature	Sn - Pb Eutectic Assembly	Preheat / Soak
Preheat / Soak <ul style="list-style-type: none"> <li>● Temperature Min ( T<sub>s</sub> min )</li> <li>● Temperature Max ( T<sub>s</sub> max )</li> <li>● Time ( T<sub>s</sub> min to T<sub>s</sub> max )</li> </ul>	100°C 150°C 60-120 seconds	150°C 200°C 60-120 seconds
Ramp - up rate ( T <sub>L</sub> to T <sub>p</sub> )	3°C/ second max.	3°C/ second max.
Time maintained above <ul style="list-style-type: none"> <li>● Liquidous temperature ( T<sub>L</sub> )</li> <li>● Time ( t<sub>L</sub> ) maintained above T<sub>L</sub></li> </ul>	183°C 60-150 seconds	217°C 60-150 seconds
Peak package body temperature ( T <sub>p</sub> )	235°C	260°C
Time within 5° C of the specified classification temperature ( T <sub>p</sub> )	20 seconds	30 seconds
Ramp - down rate ( T <sub>p</sub> to T <sub>L</sub> )	6°C/ second max.	6°C/ second max.
Time 25° C to peak temperature	6 minutes max.	8 minutes max.
<b>Suggest reflow times</b>	<b>2 Times max.</b>	

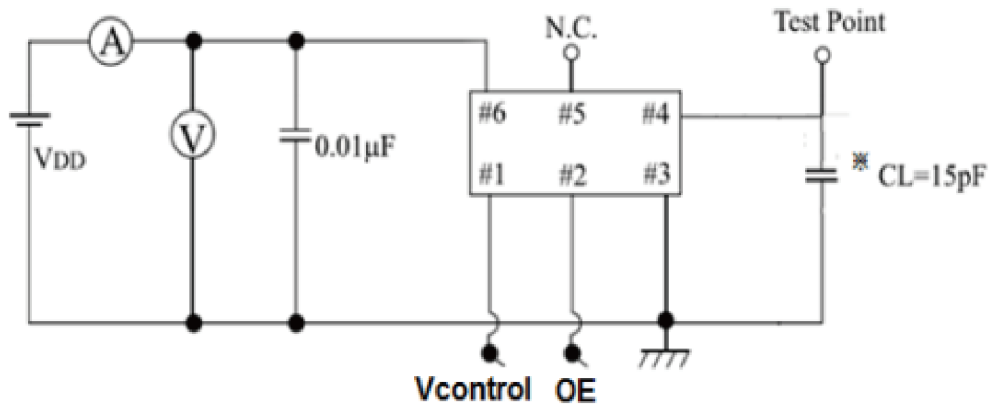
更新日期：2024年4月7日

# 5VA Series 5.0 x 3.2 mm SMD Crystal Oscillator

5 : 5.0×3.2×1.25 mm | SMD5032-6P

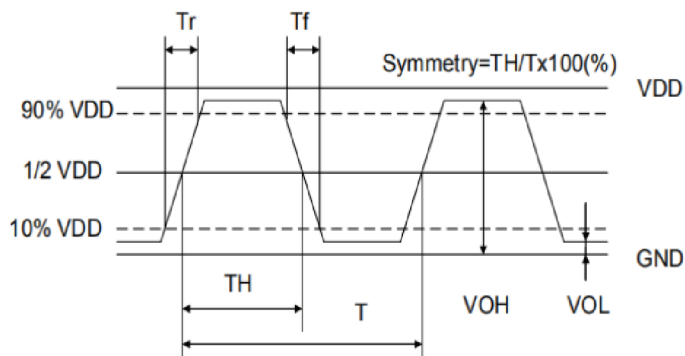
VA : VCXO Crystal Oscillator [6PAD]

## Testing Circuit



※ Notes: Test point load should include stray and probe capacitance.

## Waveform Conditions



Waveform measurement system should have a min. bandwidth of 5 times the frequency being tested.

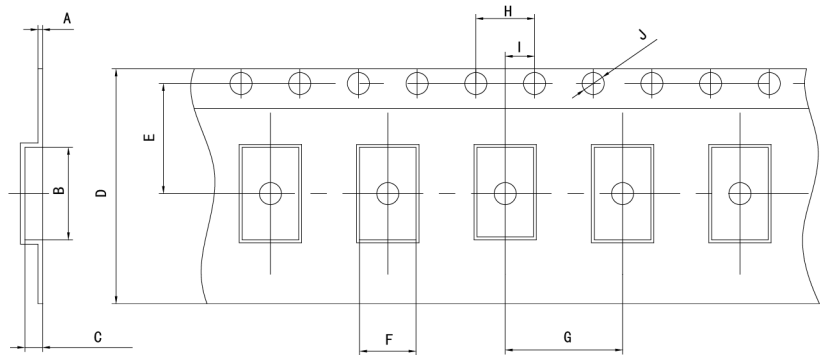
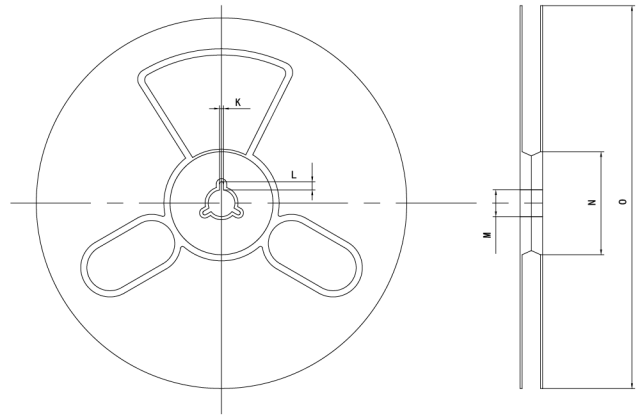
# 5VA Series 5.0 x 3.2 mm SMD Crystal Oscillator

5 : 5.0×3.2×1.25 mm | SMD5032-6P

VA : VCXO Crystal Oscillator [6PAD]

## Packaging Information

T=Tape and reel (1,000pcs/reel)



### Pocket Tape Dimensions(mm)

Series	A	B	C	D	E	F	G	H	I	J	K	L	M	N	O
5VA	0.3±0.05	5.5±0.1	1.25±0.1	12±0.1	5.5±0.1	3.6±0.1	8.0±0.1	4.0±0.1	2.0±0.1	φ1.5±0.1	2.0±0.2	4.0±1.0	φ13±0.5	φ60±1	φ180±1

## Common Frequencies – MHz

5VA Series				
2.048	4.000	4.096	4.9152	6.000
7.3728	7.680	8.000	8.192	10.000
11.0592	11.2896	12.000	12.288	13.000
14.7456	16.000	16.384	18.432	19.200
19.440	20.000	22.5792	24.000	24.576
25.000	26.000	27.000	29.4912	30.000
32.000	32.768	33.000	40.000	45.1584
48.000	49.152	50.000	52.000	54.000

## X-ON Electronics

Largest Supplier of Electrical and Electronic Components

*Click to view similar products for [VCXO Oscillators](#) category:*

*Click to view products by [SCTF](#) manufacturer:*

Other Similar products are found below :

[3808AI-DF-33NG-80.0000](#) [SIT3808AI-CF-33EM-50.000000X](#) [FRSONT019](#) [SiT3701AC-43-33C-10.00000X](#) [315LB3I1250T](#) [CVPD-922X-100.000](#) [FY3HCJM45.1584-BULK](#) [SiT3807AC-C2-33EB-12.288000Y](#) [NBVSPA015LN1TAG](#) [NBVSPA015LNHTAG](#) [NBVSPA019LNHTAG](#) [NBVSPA024LN1TAG](#) [SX3V24.576B20100F30TNN](#) [SX3V16.384B2070F30TNN](#) [SX3V25.000B20100F30TNN](#) [NV0507DH3I155E030N100](#) [SX3V12.288B20070F30TNNS](#) [SX5V16.384B20100F30TNNS](#) [SX7V20.000B20100F30TNNS](#) [SX3V2.048B20070F30TNN](#) [SX7V10.000B20100F30TNNS](#) [SX7V25.000B20100F30TNNS](#) [SX7V49.152B20100F30TNNS](#) [SX3V49.152B20100F30TNNS](#) [SX7V45.1584B20100F30TNNS](#) [SX3V10.000B20070F30TNNS](#) [SX3V12.288B20070F30TNN](#) [SX5V10.000B20100F30TNNS](#) [SX7V16.384B20100F30TNNS](#) [SX5V12.288B20100F30TNNS](#) [SX7V19.440B20100F30TNNS](#) [SX5V49.152B20100F30TNNS](#) [SX3V45.1584B20100F30TNNS](#) [SX5V50.000B20100F30TNNS](#) [SX5V24.576B20100F30TNNS](#) [SX7V27.000B20100F30TNNS](#) [SX7V32.768B20100F30TNNS](#) [SX3V27.000B20100F30TNNS](#) [SX5V40.000B20100F30TNNS](#) [SX3V32.768B20100F30TNNS](#) [SX3V40.000B20100F30TNNS](#) [SX7V12.288B20100F30TNNS](#) [SX3V24.000B20085F30TNNS](#) [SX3V20.000B20085F30TNNS](#) [SX5V25.000B20100F30TNNS](#) [SX3V10.000B20070F30TNN](#) [SX3V16.384B20070F30TNNS](#) [SX3V19.440B20085F30TNNS](#) [SX5V20.000B20100F30TNNS](#) [SX3V24.576B20100F30TNNS](#)