

| | |
|----|---------------|
| 编号 | SCTF202306206 |
| 日期 | 2023/6/15 |
| 版本 | B01 |



承认书

SPECIFICATION FOR APPROVAL

| | |
|-----------------------|---------------------------|
| 客户名称 Customer Name: | 立创商城 |
| 供应商物料名称 Part Name: | 石英晶体振荡器 |
| 产品描述 Description: | OSC SMD7050 6.780MHz/3.3V |
| 供应商物料料号 Part NO.: | SX7M6.780B10F20TNN |
| 供应商名称 Supplier Name : | 深圳市星通时频电子有限公司 |

PLEASE CONFIRM OUR SPECIFICATION. 敬请确认规格书之内容。

| CUSTOMER APPROVAL 客户审批 | | |
|----------------------------|-----|-----|
| 物料代号 PART NO. _____ | | |
| 使用于机型 USED IN MODEL: _____ | | |
| 工程部 | 品质部 | 采购部 |
| | | |

(敬请承认后返回一份, 谢谢!)

| SUPPLIER APPROVAL 供应商审批 | | |
|-------------------------|---------|-------------|
| DGN.制表人 | CKD. 校对 | APPD. 审核、签章 |
| 吴丽红 | 李良 | 胡华才 |

地址: 深圳市南山区龙珠四路方大城T2栋10楼

Add: 10 / F, Building T2, Fangdacheng, Longzhu 4th Road, Nanshan District, Shenzhen, China.

Website: www.sctf-crystal.com

Email: info@sctf-crystal.com

TEL: 0755-86097430

FAX: 0755-86097259

Page: 1

■ Electrical Specification 电气参数

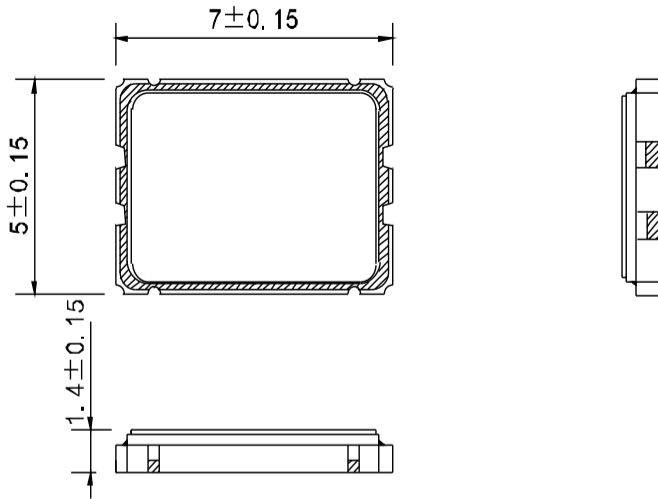
| N0. | Item | Electrical Spec. | Notes |
|-----|--|------------------|--|
| 1 | Holder Type 封装 | OSC SMD7050 | |
| 2 | Nominal Frequency 标称频率 | 6.780000 MHz | |
| 3 | Frequency stability 常温频差 | ±10ppm | at 25°C±2°C |
| 4 | Temperature Drift 温度频差 | ±20ppm | at -40~85°C |
| 5 | Operating voltage 工作电压 | 3.3V | ±10% max. |
| 6 | Output 输出模式 | CMOS | |
| 7 | Output load condition 负载 | 15pF | |
| 8 | Current consumption 消耗电流 | 10 mA max. | |
| 9 | Operating temperature Range 工作温度范围 | -40~85°C | |
| 10 | Storage Temperature Range 存储温度范围 | -55~105°C | |
| 11 | Duty Cycle 占空比 | 45%-55% | |
| 12 | Rise / Fall Time 上升/下降沿时间 | 5 nS max. | |
| 13 | High output voltage 高电平 | 0.9Vdd min. | |
| 14 | Low output voltage 低电平 | 0.1Vdd max. | |
| 15 | Start-up Time 起振时间 | 5mS max. | To 90% of Final Amplitude |
| 16 | Enable Voltage High (Logic 1) 使能高电平 | 70%Vdd min. | Output will be enable if OE is Logic 1 or open ; Output will be disable if OE is Logic 0. 输出使能OE是高电平1或者悬空，频率输出；输出使能OE是低电平0，则无频率输出。 |
| 17 | Enable Voltage Low (Logic 0) 使能低电平 | 30%Vdd max. | |
| 18 | Enable Delay Time 使能延迟 | 150 uS max. | |
| 19 | Aging 老化 | ±3ppm | 1st. Year at 25°C |

SHENZHEN SCTF ELECTRONICS CO. , LTD

| DATE | Specification of quartz crystal oscillator 石英晶体振荡器规格书 | Page: |
|-----------|--|-------|
| 2023/6/15 | P/N: SX7M6.780B10F20TNN Spec.NO.: SCTF202306206 | 3 |

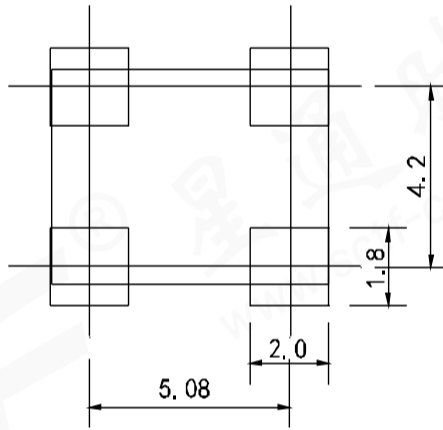
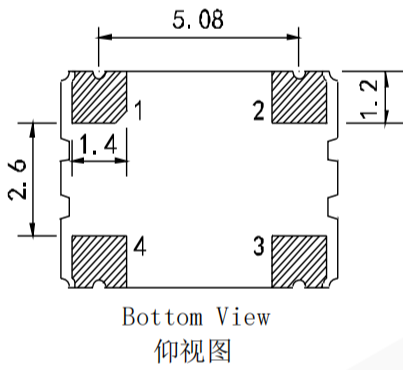
■ DIMENSIONS 产品尺寸

Units (单位): mm(毫米)



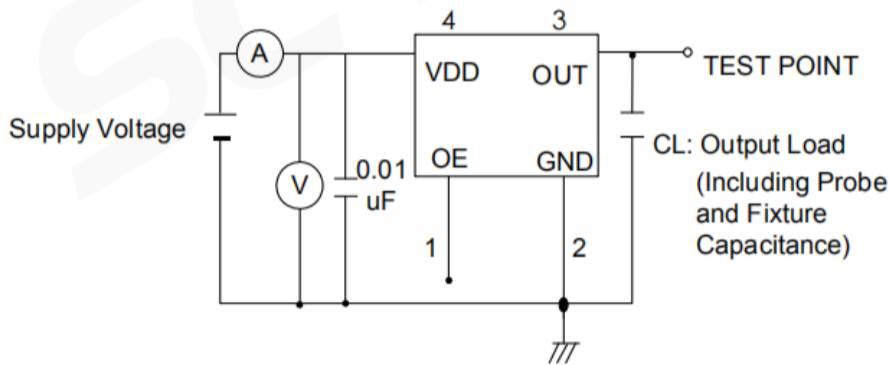
Pad Functions:

1. ENABLE CONTROL
2. GND
3. OUT PUT
4. VDD



■ TESTING CIRCUIT 测试电路

suggested solder pad layout



※ Notes: PIN 1 connected to Vdd or floating, the product is working properly; connected to GND, stops working.

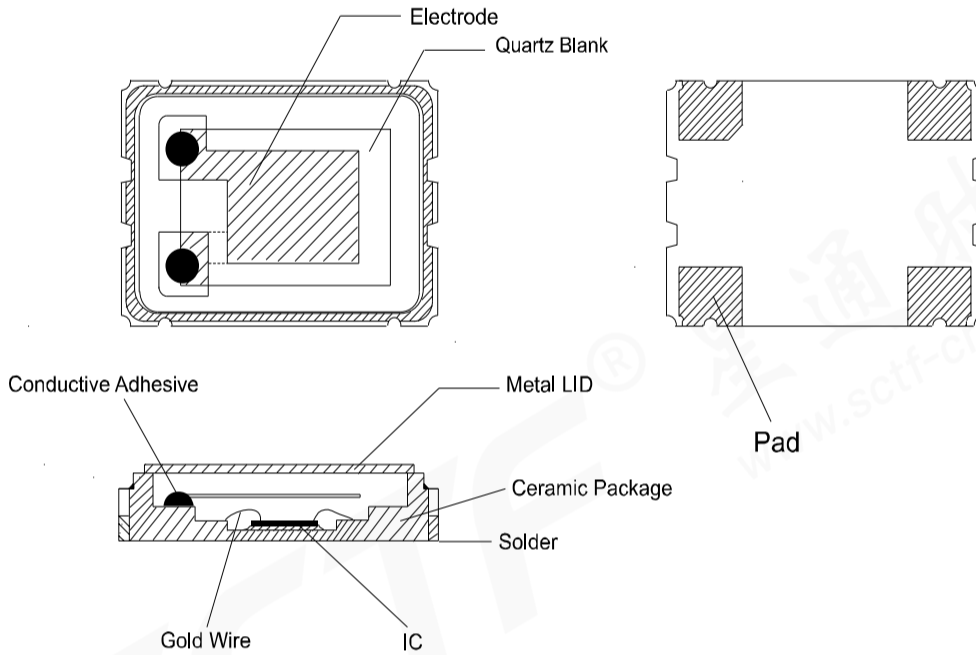
| SHENZHEN SCTF ELECTRONICS CO. , LTD | | |
|-------------------------------------|--|-------|
| DATE | Specification of quartz crystal oscillator 石英晶体振荡器规格书 | Page: |
| 2023/6/15 | P/N: SX7M6.780B10F20TNN Spec.NO.: SCTF202306206 | 4 |

■ **WAVEFORM CONDITIONS** 输出波形

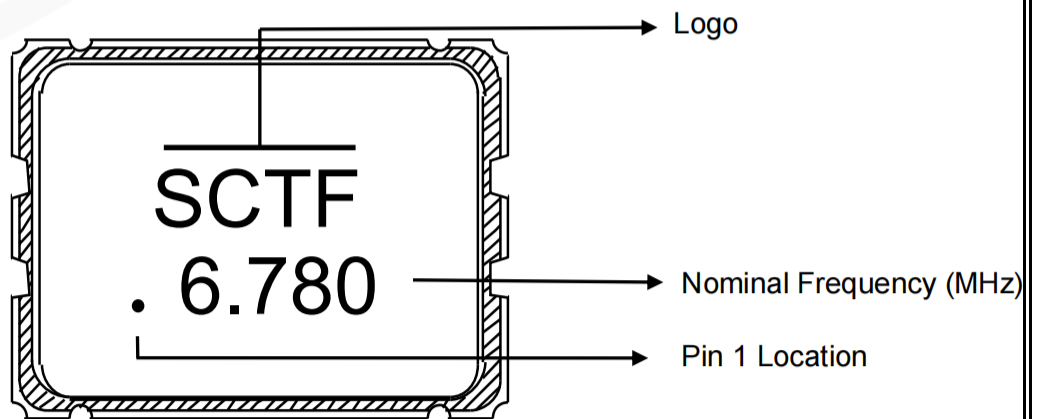


Waveform measurement system should have a min. bandwidth of 5 times the frequency being tested.

◆ **Product Structure** 产品结构



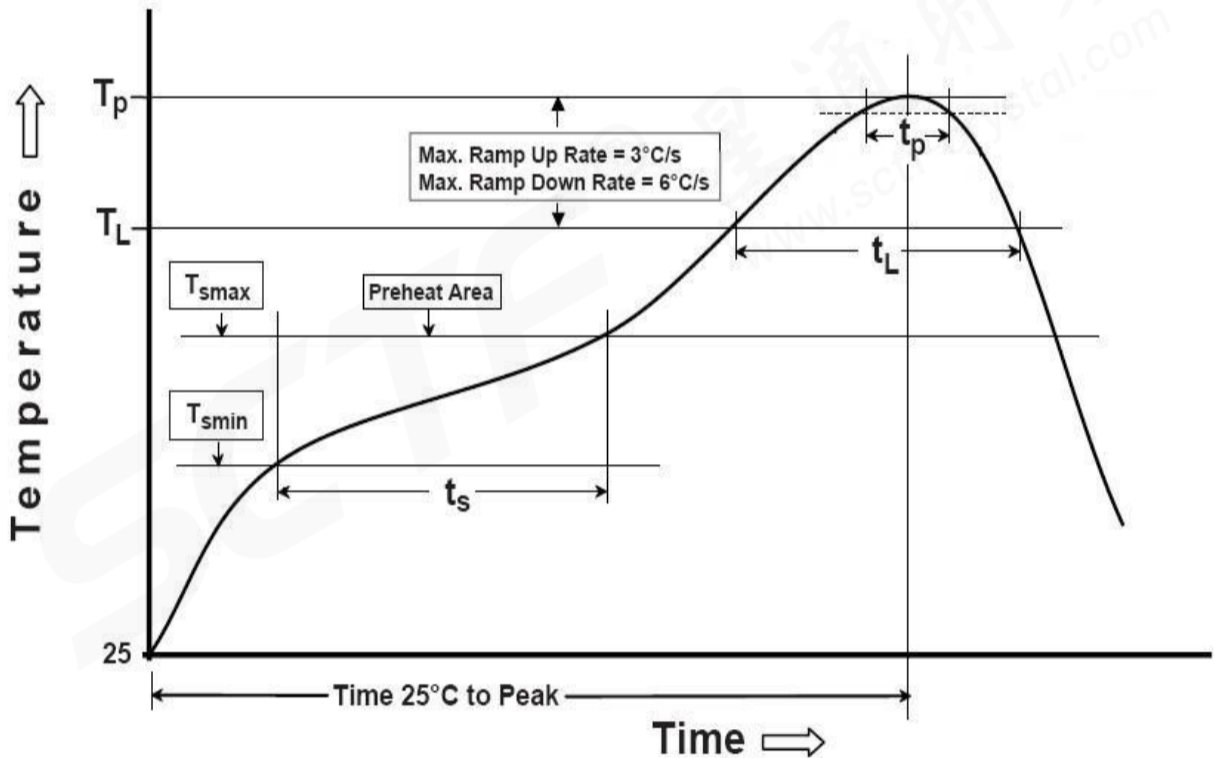
◆ **Marking** 印字



| | | |
|-------------------------------------|--|-------|
| SHENZHEN SCTF ELECTRONICS CO. , LTD | | |
| DATE | Specification of quartz crystal oscillator 石英晶体振荡器规格书 | Page: |
| 2023/6/15 | P/N: SX7M6.780B10F20TNN Spec.NO.: SCTF202306206 | 5 |

◆ REFLOW PROFILES 回流焊条件

| Profile Feature | Sn-Pb Eutectic Assembly | Pb-Free Assembly |
|---|-------------------------|------------------|
| Preheat/Soak | | |
| ●Temperature Min(Ts min) | 100 °C | 150 °C |
| ●Temperature Max (Ts max) | 150 °C | 200 °C |
| ●Time (Ts min to Ts max) | 60-120 seconds | 60-120 seconds |
| Ramp-up rate (TL to Tp) | 3 °C/second max. | 3 °C/second max. |
| Time maintained above | | |
| ●Liquidous temperature (TL) | 183 °C | 217 °C |
| ●Time (tL) maintained above TL | 60-150 seconds | 60-150 seconds |
| Peak package body temperature (Tp) | 235 °C | 260 °C |
| Time within 5 °C of the specified classification temperature (Tp) | 20 seconds | 30 seconds |
| Ramp-down rate (Tp to TL) | 6 °C/second max. | 6 °C/second max. |
| Time 25 °C to peak temperature | 6 minutes max. | 8 minutes max. |
| Suggest reflow times | 3 Times max. | |



| SHENZHEN SCTF ELECTRONICS CO. , LTD | | |
|-------------------------------------|--|-------|
| DATE | Specification of quartz crystal oscillator 石英晶体振荡器规格书 | Page: |
| 2023/6/15 | P/N: SX7M6.780B10F20TNN Spec.NO.: SCTF202306206 | 6 |

◆ RELIABILITY SPECIFICATION 可靠性参数

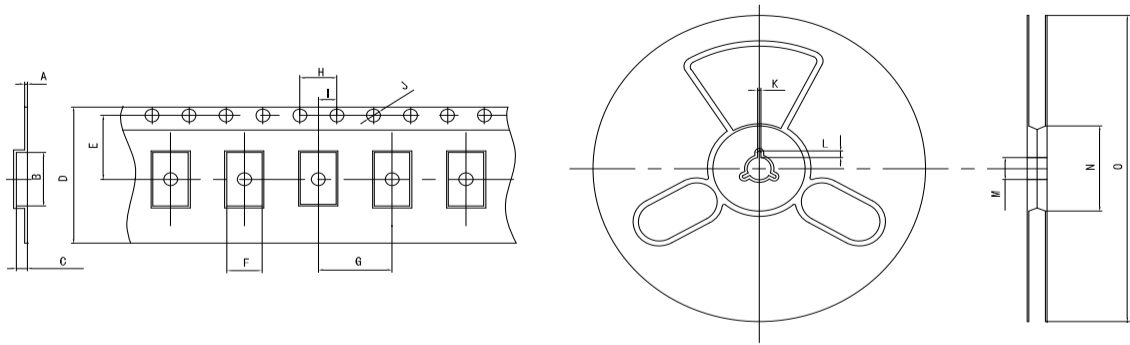
| 序号 NO. | 项目 ITEM | 条件 CONDITIONS | 合格标准 BASIS OF VERDICT |
|-----------|---------------------------|--|---|
| 1 | 跌落 DROP | 100cm高处自由跌落到3cm厚木板上,3次 High:100cm;Thickness:3cm;3 times. | $\Delta FL \leq \pm 5 \text{ppm}$ |
| 2 | 振动 VIBRATION | 频率 Frequency:10~57.7Hz;幅度 Amplitude: $\pm 0.75 \text{mm}$ 频率Frequency:57.7Hz~500Hz;加速度幅度acceleration rate:98m/s ² 周期 Cycle time:10-500-10Hz: 15min 振动方向 Direction:X,Y, Z 振动时间 Duration: 每个方向2小时 2 h/direction. | $\Delta FL \leq \pm 5 \text{ppm}$ |
| 3 | 温度变化 TEMPERATURE SHOCK | -40°C $\pm 2^\circ\text{C}$ (30min) \leftrightarrow 85°C $\pm 2^\circ\text{C}$ (30min);循环10次 -40°C $\pm 2^\circ\text{C}$ (30min) \leftrightarrow 85°C $\pm 2^\circ\text{C}$ (30min);For 10 cycles | $\Delta FL \leq \pm 5 \text{ppm}$ |
| 4 | 湿热 HUMIDITY | 温度:40°C $\pm 2^\circ\text{C}$;湿度90-95%;时间:96小时 Temp:40°C $\pm 2^\circ\text{C}$;Humidity:90-95%;Times:96h | $\Delta FL \leq \pm 5 \text{ppm}$ |
| 5 | 低温 COLD RESISTANCE | 温度:-40°C $\pm 2^\circ\text{C}$;时间:96小时 Temp:-40°C $\pm 2^\circ\text{C}$;Times:96h | $\Delta FL \leq \pm 5 \text{ppm}$ |
| 6 | 高温1 HEAT RESISTANCE 1 | 温度:100°C $\pm 2^\circ\text{C}$;时间:96小时 Temp:100°C $\pm 2^\circ\text{C}$;Times:96h | $\Delta FL \leq \pm 5 \text{ppm}$ |
| 7 | 高温2 HEAT RESISTANCE 2 | 温度:155°C $\pm 2^\circ\text{C}$;时间:2小时 Temp:155°C $\pm 2^\circ\text{C}$;Times:2h | $\Delta FL \leq \pm 5 \text{ppm}$ |
| 8 | 高温3 HEAT RESISTANCE 3 | 温度:85°C $\pm 2^\circ\text{C}$;电压:3.3V/5.0V;时间:96小时 Temp:85°C $\pm 2^\circ\text{C}$;Voltage:3.3V/5.0V;Times:96h | $\Delta FL \leq \pm 5 \text{ppm}$ |
| 9 | 回流焊 REFLOW | 150°C $\pm 5^\circ\text{C}$ 保持120s后升到270°C $\pm 5^\circ\text{C}$ 保持10s, 升温 and 保 温时间小于200s, 常温放置1~2h后测定 Keep 150 °C \pm 5 °C 120s and then rose to 270 °C \pm 5 °C for 10s, warming and holding time is less than the 200s, placed at room temperature 1 ~ 2h after test | $\Delta FL \leq \pm 5 \text{ppm}$ |
| 10 | 盐雾 SALT SPRAY | 盐雾浓度:5%;温度:35°C;时间:24小时 Salt density:5%;Temp:35°C;Times:24h | 目测无明显腐蚀现象 Visual no significant corrosion. |
| 11 | 老化 AGING | 温度:85°C;时间:30天 Temp:85°C;Times:30days | $\Delta FL \leq \pm 5 \text{ppm}$ |
| 12 | 气密性 LEAKAGE | 氦气(0.6~0.65MPa):10分钟 He(0.6~0.65MPa):10min | $\leq 3 \times 10^{-9} \text{Pa} \cdot \text{m}^3/\text{s}$ |
| 13 | 焊接 SOLDER | 温度:260°C $\pm 5^\circ\text{C}$ Temp:260°C $\pm 5^\circ\text{C}$ | 浸锡率大于90% Soldering tin rate greater than 90% |

SHENZHEN SCTF ELECTRONICS CO. , LTD

| DATE | Specification of quartz crystal oscillator 石英晶体振荡器规格书 | Page: |
|-----------|--|-------|
| 2023/6/15 | P/N: SX7M6.780B10F20TNN Spec.NO.: SCTF202306206 | 7 |

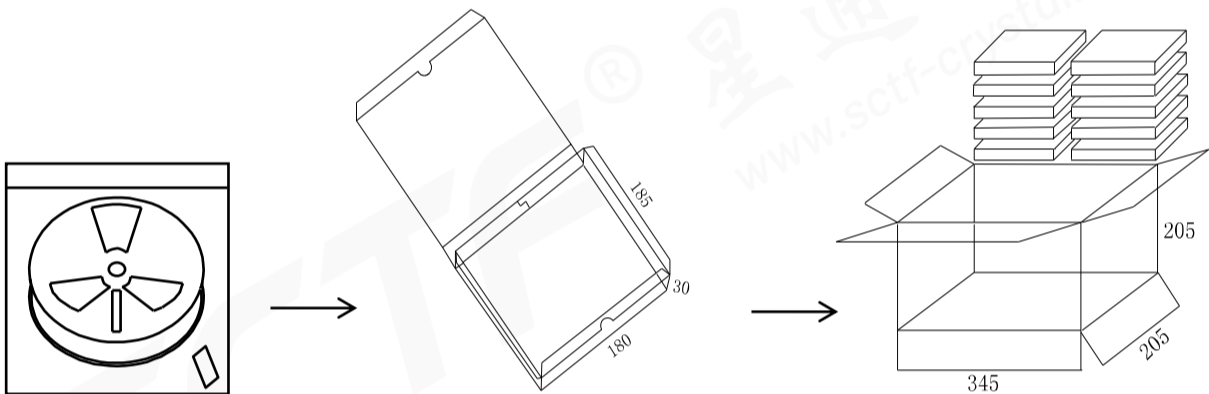
◆ **Taping Specifications** 编带规格

UNIT (单位) : mm (毫米)



| TEYE | A | B | C | D | E | F | G | H | I | J | K | L | M | N | O |
|---------|-----|-----|-----|------|-----|-----|-----|-----|-----|-----|-----|-----|------|------|-------|
| 5×7 SMD | 0.3 | 7.5 | 2.0 | 16.0 | 7.5 | 5.5 | 8.0 | 4.0 | 2.0 | 1.5 | 2.0 | 4.0 | 13.0 | 60.0 | 180.0 |

◆ **Packaging specifications** 包装规格



自封袋 (Bag)
1000只 = 1 轮
1000pcs = 1 Reel

内包装 (Inside package)
1 轮 = 1 盒
1 Reel = 1 box

外包装 (Outside Package)
10 盒 = 1 箱
10 box = 1 carton

| SHENZHEN SCTF ELECTRONICS CO. , LTD | | |
|-------------------------------------|--|-------|
| DATE | Specification of quartz crystal oscillator 石英晶体振荡器规格书 | Page: |
| 2023/6/15 | P/N: SX7M6.780B10F20TNN Spec.NO.: SCTF202306206 | 8 |

X-ON Electronics

Largest Supplier of Electrical and Electronic Components

Click to view similar products for [Standard Clock Oscillators](#) category:

Click to view products by [SCTF](#) manufacturer:

Other Similar products are found below :

[601252](#) [F335-25](#) [F535L-33.333](#) [F535L-50](#) [NBXHBA019LN1TAG](#) [SiT1602BI-22-33E-50.000000E](#) [SiT8209AI-32-33E-125.000000](#)
[SIT8918AA-11-33S-50.000000G](#) [SM4420TEV-40.0M-T1K](#) [F335-24](#) [F335-40](#) [F535L-10](#) [F535L-12](#) [F535L-24](#) [F535L-27](#) [PE7744DW-](#)
[100.0M](#) [ASF1-3.686MHZ-N-K-S](#) [ASV-4.000MHZ-LCS-T](#) [XLH735025.000JU4I8](#) [XLP725125.000JU6I8](#) [XO57CTECNA3M6864](#) [601251](#)
[SiT8503AI-18-33E-0.200000X](#) [SIT8918AA-11-33S-16.000000G](#) [SIT9122AI2C233E300.000000X](#) [XO37CTECNA20M](#) [9120AC-2D2-](#)
[33E212.500000](#) [9102AI-243N25E100.000000](#) [8208AC-82-18E-25.000000](#) [8008AI-72-XXE-24.545454E](#) [8004AC-13-33E-133.33000X](#) [ASFL1-](#)
[48.000MHZ-LC-T](#) [632L3I004M00000](#) [SIT8920AM-31-33E-25.0000](#) [9121AC-2C3-25E100.000000](#) [9102AI-233N33E100.00000X](#) [9102AI-](#)
[233N25E200.000000](#) [9102AI-232H25S125.000000](#) [9102AI-133N25E200.000000](#) [9102AC-283N25E200.000000](#) [9001AC-33-33E1-30.000](#)
[8103AC-13-33E-12.00000X](#) [3921AI-2CF-33NZ125.000000](#) [5730-1SF](#) [XUN736000.032768I](#) [EC3925ETTTS-100.000M TR](#) [SIT1602BC-83-](#)
[33E-10.000000Y](#) [8003AI-12-33S-40.00000Y](#) [1602BI-13-33S-19.200000E](#) [8208AI-2F-18E-25.000000X](#)