

TF2012 Series 2.0 x 1.2 mm TUNING FORK Crystal

TF : TUNING FORK Crystal

2016 : 2.0×1.2×0.6 mm | SMD2012-2P

Feature

- Miniature Ceramic surface mount with Metal Lid
- Package Size: 2.05 x 1.2 x 0.6mm max.
- Low Aging, Low Power Consumption, high reliability characteristics
- RoHS Compliant / Pb Free

Applications

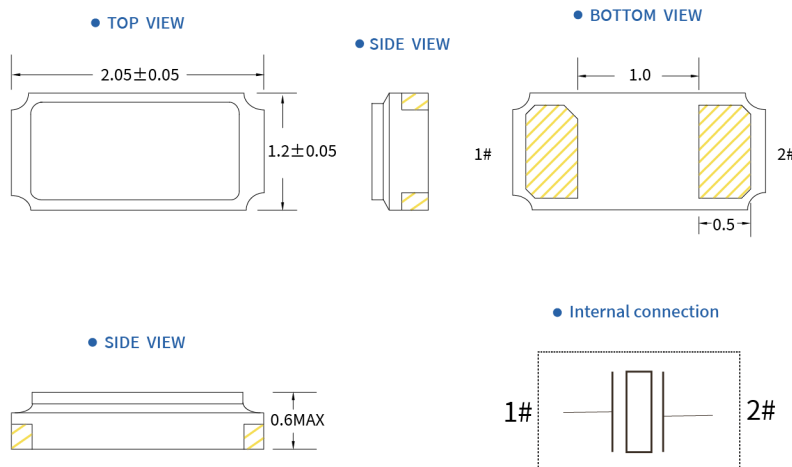
- Real Time Clock
- Portable Electronics
- Smart Meters
- Communication Electronics
- IoT Devices



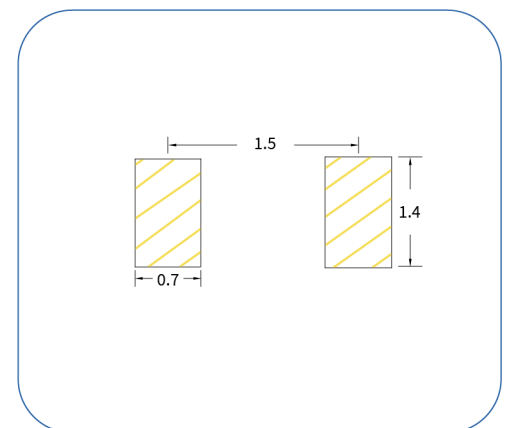
Electrical Specifications

Item	Symb.	Electrical spec.		Notes
		TF2012	TF2012R	
Nominal Frequency	Freq.	32.768KHz		
Operating Temperature	T_use	-40°C~+85°C		
Storage Temperature Range	T_stg	-55°C~+125°C		
Oscillation Mode		Fundamental		
Frequency Tolerance	f_tol	±10ppm / ±20ppm		at 25°C ±3°C
Turnover Temperature	Ti	+25°C ±5°C		
Parabolic curvature constant	B	-0.042ppm/(Δ°C) ² max.		Over Operating Temp. Range (Reference 25°C)
Drive Level	DL	0.5 μW Max.		
Load Capacitance	CL	6pF; 7pF; 9pF; 12.5pF		
Effective Resistance	RR	80kΩ max.	50kΩ max.	
Aging	f_age	±3 ppm Max.		1st. Year at 25°C

Dimensions (UNIT:mm)



Solder pad layout (UNIT:mm)



TF2012 Series 2.0 x 1.2 mm TUNING FORK Crystal

TF : TUNING FORK Crystal

2016 : 2.0×1.2×0.6 mm | SMD2012-2P

Options and Part Identification : Example SXTF2012R32768A20F

Company	Ceramic Package	Effective Resistance	Frequency Code [KHZ]	Load Capacitance	Frequency Tolerance	Operating Temperature
SX	TF2012	R	32768	A	20	F
↓	↓	↓	↓	↓	↓	↓
Code Company	Code Ceramic Package	Code Effective Resistance	Frequency	Code Load Capacitance	Code Frequency Tolerance	Code Operating Temperature
SX SCTF	TF1610 1.6×1.0×0.5mm TF2012 2.0×1.2×0.6mm TF3215 3.2×1.5×0.8mm TF7015 7.0×1.5×1.4mm	Blank Standard R 50kΩ max.	32.768	A 12.5pF G 9pF C 7pF D 6pF	10 ±10ppm 20 ±20ppm	E -20°C ~ +70°C F -40°C ~ +85°C

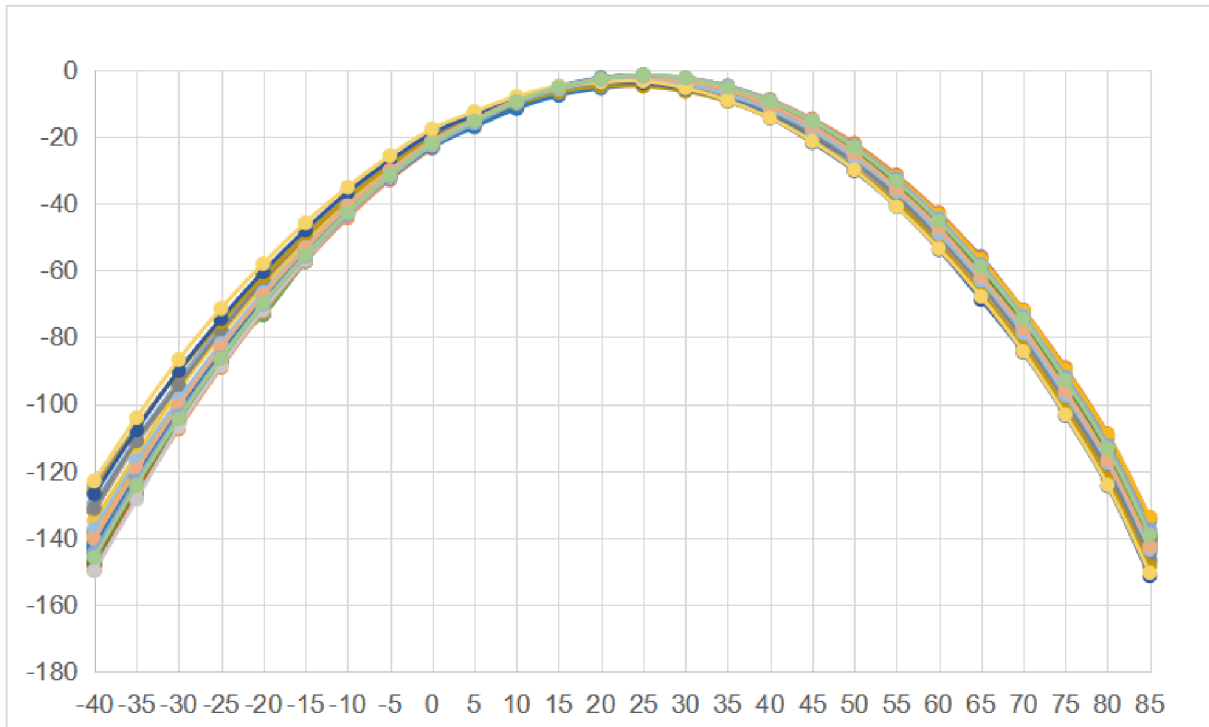
If you have other parameter requirements, you can contact **SCTF** at any time.

TF2012 Series 2.0 x 1.2 mm TUNING FORK Crystal

TF : TUNING FORK Crystal

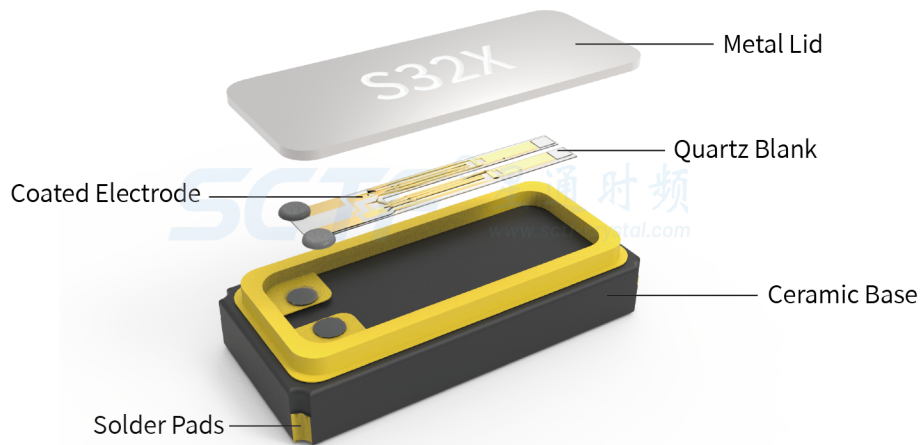
2016 : 2.0×1.2×0.6 mm | SMD2012-2P

Frequency Temperature Characteristics

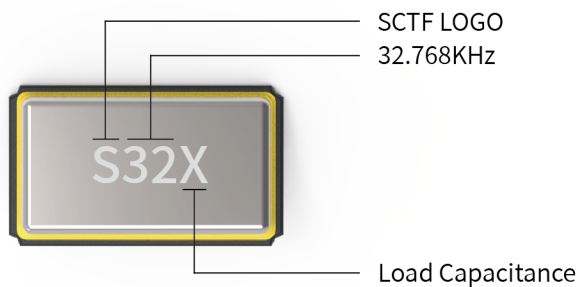


Product Structure & Marking Information

Product Structure

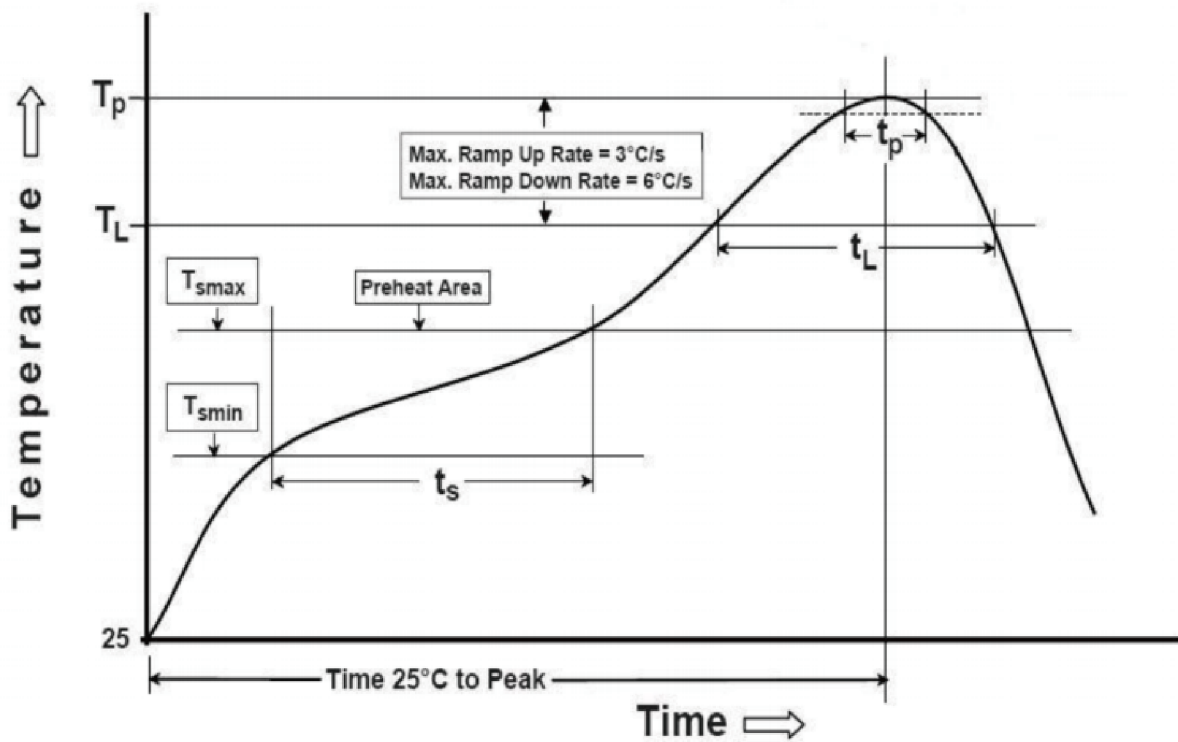


Marking Information



*	Load Capacitance(CL)
A	12.5pF
C	7pF
D	6pF
G	9pF

Suggested Reflow Profile



Profile Feature	Sn - Pb Eutectic Assembly	Preheat / Soak
Preheat / Soak <ul style="list-style-type: none"> ● Temperature Min (T_s min) ● Temperature Max (T_s max) ● Time (T_s min to T_s max) 	100°C 150°C 60-120 seconds	150°C 200°C 60-120 seconds
Ramp - up rate (T _L to T _p)	3°C/ second max.	3°C/ second max.
Time maintained above <ul style="list-style-type: none"> ● Liquidous temperature (T_L) ● Time (t_L) maintained above T_L 	183°C 60-150 seconds	217°C 60-150 seconds
Peak package body temperature (T _p)	235°C	260°C
Time within 5° C of the specified classification temperature (T _p)	20 seconds	30 seconds
Ramp - down rate (T _p to T _L)	6°C/ second max.	6°C/ second max.
Time 25° C to peak temperature	6 minutes max.	8 minutes max.
Suggest reflow times	2 Times max.	

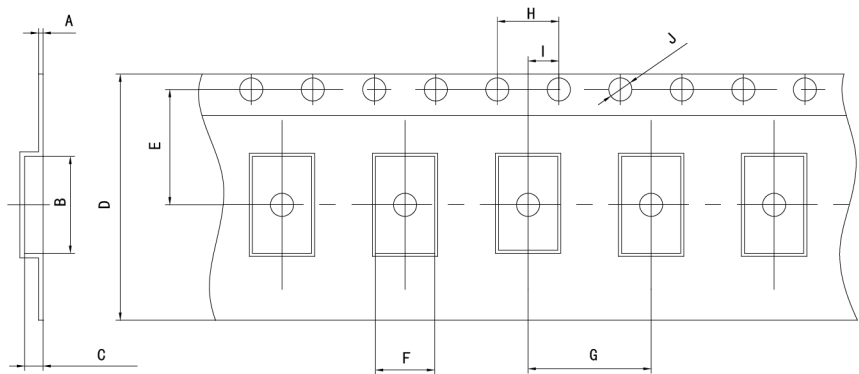
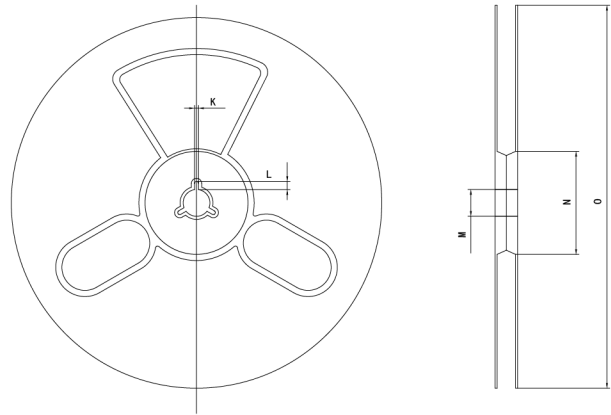
TF2012 Series 2.0 x 1.2 mm TUNING FORK Crystal

TF : TUNING FORK Crystal

2016 : 2.0×1.2×0.6 mm | SMD2012-2P

Packaging Information

T=Tape and reel (3,000pcs/reel)



Pocket Tape Dimensions(mm)

Series	A	B	C	D	E	F	G	H	I	J	K	L	M	N	O
TF2012 TF2012R	0.20±0.05	2.3±0.1	0.75±0.1	8.0±0.3	3.5±0.1	1.40±0.1	4±0.1	4.0±0.1	2.0±0.1	φ1.5±0.1	2.0±0.2	4.0±1.0	φ13±0.5	φ60±1	φ180±1

X-ON Electronics

Largest Supplier of Electrical and Electronic Components

Click to view similar products for [Crystals](#) category:

Click to view products by [SCTF](#) manufacturer:

Other Similar products are found below :

[CX3225GB25000M0PPSZ1](#) [718-13.2-1](#) [7A-40.000MAAE-T](#) [FL2000085](#) [99-BU](#) [9B-15.360MBBK-B](#) [9C-7.680MBBK-T](#) [H10S-12.000-18-EXT-TR](#) [ABC2-6.000MHZ-D4Z-T](#) [ABLS-20.000MHZ-D2-T](#) [ABS071-32.768KHZ-6-T](#) [R38-32.768-12.5-5PPM-NPB](#) [BTD1062E05A-513](#) [21U15A-21.4MHZ](#) [RTX-781DF1-S-20.950](#) [LFXTAL066198Cutt](#) [9C-14.31818MBBK-T](#) [A-11.000MHZ-27](#) [ABL-27.000MHZ-B4Y-T](#) [ABM11-132-24.000MHZ-T3](#) [ABM3B1-25.000MHZ-D2Y-T](#) [SPT2A-.032768B](#) [SPT2A.032768G](#) [LFXTAL065253Cutt](#) [LFXTAL066431Cutt](#) [XT9S20ANA14M7456](#) [XT9SNLANA16M](#) [7A-24.576MBBK-T](#) [7B-30.000MBBK-T](#) [CX2520DB16000H0HPQCC](#) [MMCC2R32.7680KHZ](#) [6504-202-1501](#) [6526-202-1501](#) [ABLS-12.000MHZ-B2Y-T](#) [7A-10.000MBBK-T](#) [SG636PCE-20.000MC](#) [3404](#) [CM315D32768EZFT](#) [C1E-24.000-7-2020-R](#) [C1E-19.200-12-1530-X-R](#) [C1E-16.000-12-1530-X-R](#) [ABM11-16.000MHZ-9-B1U-T](#) [FL5000014](#) [EUCA18-3.1872M](#) [FX0800015](#) [425F35E027M0000](#) [FP0800018](#) [MS3V-T1R-32.768kHz-7pF-20PPM-TA-QC-Au](#) [VXM7-1C1-16M000](#) [MS3V-T1R-32.768kHz-9pF-20PPM-TA-QC-Au](#)