

(2.54 mm) .100"

SL, SDL SERIES

LOW-PROFILE MACHINED SOCKET STRIPS

- FEATURES**
- Achieve low-profile without sacrificing insertion depth!
 - Choice of four precision screw machined lead styles.
 - Exceptionally low-profile, down to (2.11 mm) .083" off of board.
 - Mates with BBL or BDL for board stacking spaces down to (3.89 mm) .153"

SPECIFICATIONS

For complete specifications see www.samtec.com?SL or www.samtec.com?SDL

Insulator Material:
Black Glass Filled Polyester (SDL)
Black Liquid Crystal Polymer (SL)

Contact/Shell Materials:
BeCu/Brass

Plating:
Au or Sn over
50 μm (1.27 μm) Ni

Operating Temp Range:
-55 °C to +125 °C with Gold
-55 °C to +105 °C with Tin

RoHS Compliant:
Yes

Lead-Free Solderable:
Wave only

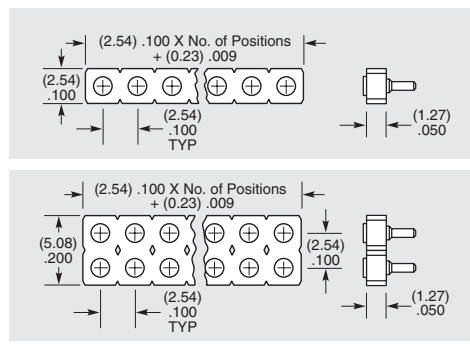
RECOGNITIONS

For complete scope of recognitions see www.samtec.com/quality

Note:
Some lengths, styles and options are non-standard, non-returnable.

Mates with:
TS, TD, HTS, BBS, BBD, BBL, BDL, BHS

TYPE STRIP	1	NO. PINS PER ROW	PLATING OPTION	LEAD STYLE
SL = Single Row Low-Profile Socket Strip	01 thru 32	1	-G = 30 μm (0.76 μm) Gold contact, 10 μm (0.25 μm) Gold shell	-T = 30 μm (0.76 μm) Gold contact, Tin shell
SDL = Double Row Low-Profile Socket Strip			-TT = Tin contact and shell (LIF not available)	
	01 thru 36	1		



Low Insertion Force (LIF) Available

-10 = Low-Profile (Hollow Leg)	-11 = Low-Profile (Standard Mount) For LIF specify -31	-12 = Micro-Socket (Hollow Leg)	-19 = Micro-Socket (Hollow Leg) For LIF specify -39
<p>Contact Length = (2.11 mm) .083" Lead DIA Accepted = (0.38 mm) .015" to (0.51 mm) .020" Insertion Depth = (2.67 mm) .105" to (4.32 mm) .170" Style 10 Component Part No. = SC-3P1</p>	<p>Contact Length = (1.58 mm) .062" Lead DIA Accepted = (0.41 mm) .016" to (0.53 mm) .021" Insertion Depth = (2.03 mm) .080" to (2.67 mm) .105" Style 11 Component Part No. = SC-4P1 Style 31 Component Part No. = EZ-4P1</p>	<p>Contact Length = (1.58 mm) .062" Lead DIA Accepted = (0.41 mm) .016" to (0.51 mm) .020" Insertion Depth = (1.65 mm) .065" to (3.81 mm) .150" Style 12 Component Part No. = SC-5P1</p>	<p><i>Only .083" (2.11 mm) above p.c. board</i></p> <p>Contact Length = (1.58 mm) .062" Lead DIA Accepted = (0.41 mm) .016" to (0.51 mm) .020" Insertion Depth = (1.65 mm) .065" to (3.56 mm) .140" Style 19 Component Part No. = SC-8P1 Style 39 Component Part No. = EZ-8P1</p> <p>Micro Socket</p> <p>Standard Socket (Reference only. Not available with SL & SDL)</p>

Due to technical progress, all designs, specifications and components are subject to change without notice.

X-ON Electronics

Largest Supplier of Electrical and Electronic Components

Click to view similar products for [IC & Component Sockets](#) category:

Click to view products by [Samtec](#) manufacturer:

Other Similar products are found below :

[714-43-102-31-012000](#) [0066-3-17-15-30-14-02-0](#) [0134-0-15-15-32-27-04-0](#) [614-DG5](#) [6527-0-00-15-00-00-03-0](#) [670](#) [672](#) [673](#) [712-93-120-41-001000](#) [714-93-104-31-018000](#) [8059-4G1-LF](#) [807-22-001-10-001101](#) [807-22-001-10-003101](#) [807-22-001-10-004101](#) [807-22-001-10-006101](#) [807-22-001-30-011101](#) [807-22-001-30-012101](#) [807-22-001-30-013101](#) [807-22-001-30-014101](#) [8-1437531-4](#) [8150-6P10](#) [833-93-034-10-001000](#) [835-43-014-10-001000](#) [851-41-006-10-001000](#) [851-43-008-20-001000](#) [851-43-014-20-001000](#) [851-93-006-20-001000](#) [851-93-010-20-001000](#) [853-43-020-10-001000](#) [86.010.0053.0](#) [116-43-306-41-003000](#) [116-43-308-41-007000](#) [116-87-308-41-007101](#) [PX-68LCC](#) [PX-84LCC](#) [121-13-318-41-001000](#) [121-13-320-41-001000](#) [121-13-308-41-001000](#) [123-43-314-41-801000](#) [123-43-420-41-001000](#) [123-43-636-41-001000](#) [123-87-320-41-001101](#) [122-13-316-41-001000](#) [123-13-624-41-001000](#) [123-43-306-41-001000](#) [123-43-322-41-801000](#) [123-43-428-41-001000](#) [123-43-624-41-001000](#) [12-3513-11](#) [123-91-320-41-001000](#)