

TFmini-i is an updated single-point ranging LiDAR based on TFmini-S. It has been optimized in communication interface, input voltage and reverse protection, making it meet different industrial applications.



### Main Product

#### Characteristics

- 7-30V wide range input voltage
- Reverse protection
- CAN/RS485 interface

### Main application

#### scenarios

- Pedestrian detection
- Vehicle testing
- Altitude

## ■ Technical specification parameters

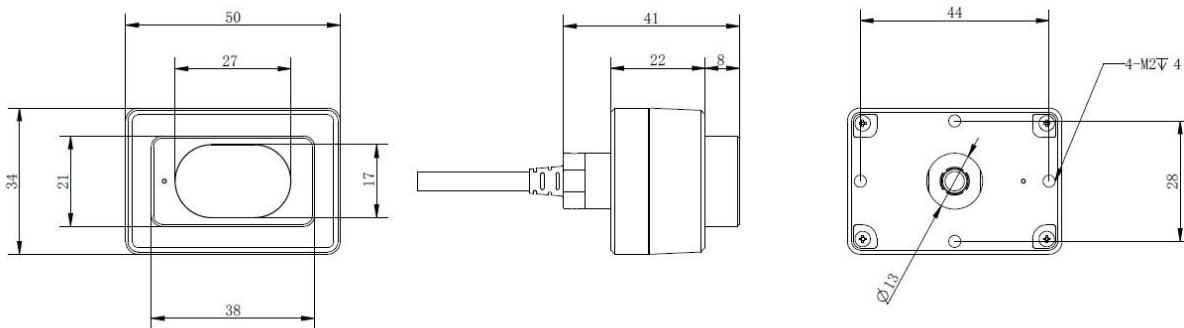
Parameters		Value
Product performance	Operating range	0.1m~12m@90% reflectivity 0.1~7m@10% reflectivity 0.1m~12m@90% reflectivity(70Klux) 0.1~7m@10% reflectivity(70Klux)
	Accuracy <sup>1</sup>	±6cm@(0.1-6m) ±1%@(6m-12m)
	Distance resolution	1cm
	Frame rate	100Hz
	Ambient light immunity	70Klux
	Operation temperature	-20°C~60°C
	Enclosure rating	IP65
Optical parameters	Light source	VCSEL
	Central wavelength	850nm
	Photobiological safety	Class1(EN60825)
	FOV	2°
Electrical parameters	Supply voltage	7~30V
	Average current	≤65mA@12V
	Power consumption	≤0.8W@12V

<sup>1</sup> The accuracy is measured at temperature of 25°C with white board (90% reflectivity). The error may be increased if condition changes;

	Peak current	100mA@12V	
	Communication interface	RS-485	CAN
<b>Others</b>	Dimension	50mm*34mm*41mm(L*W*H)	
	Shell material	PC/ABS/PMMA	
	Storage temperature	-30°C~75°C	
	Weight	52g	
	Cable length	70cm	

## Product appearance structure

Figure 1 Dimension of TFmini-i (Unit: mm)



## communication interface

Table 2 Communication Interface—RS485

Interface parameters	Default value
Baud rate	115200
Data bits	8
Stop bit	1
Parity	None

Table 3 Communication Interface—CAN

Interface parameters	Interface parameters
Baud rate	250kbps
Receive ID	0x00000003
Send ID	0x00000003
Frame format	Standard frame

## ■ Configurable Parameters

Table 4 Configurable parameters example

Parameters	Description	Default setting
Frame rate	Adjustable,1~1000Hz	100Hz
Baud rate	Adjustable	/
Reset default	Reset all the settings to factory settings	/

*PS: Refer to user manual for more information*

### Benewake (Beijing) Co., Ltd

Address: No.28, information road, Haidian

District, Beijing

Phone: +86 010 5745 6983

Email: bw@benewake.com

Technical support:

support@benewake.com



## X-ON Electronics

Largest Supplier of Electrical and Electronic Components

*Click to view similar products for [Distance Sensors](#) category:*

*Click to view products by [Seeed Studio](#) manufacturer:*

Other Similar products are found below :

[SEN0352](#) [GP2Y0AF15X](#) [QTR-3RC](#) [QTR-L-1A](#) [QTR-L-1RC](#) [38 KHZ IR PROXIMITY SENSOR HIGH BRIGHTNE](#) [MAXBOTIX LV-MAXSONAR-EZ0](#) [SONAR MB1000](#) [MAXBOTIX LV-MAXSONAR-EZ3](#) [SONAR MB1030](#) [38 KHZ IR PROXIMITY SENSOR LOW BRIGHTNES](#) [VL53L0X](#) [TIME-OF-FLIGHT DISTANCE SENSOR](#) [POLOLU-1134](#) [POLOLU-2489](#) [POLOLU-961](#) [GP2Y0D805Z0F](#) [GP2Y0A710K0F](#) [MAXBOTIX XL-MAXSONAR-AE4](#) [MB1340](#) [OKY3240](#) [OKY3261-2](#) [OKY3261-3](#) [OKY3262](#) [OKY3510](#) [OKY3514](#) [OKY3515](#) [MAXBOTIX XL-MAXSONAR-EZ0](#) [MB1200](#) [MAXBOTIX XL-MAXSONAR-AE0](#) [MB1300](#) [QTR-3A](#) [QTR-HD-01RC](#) [REFLECTANCE SENSOR](#) [QTR-HD-02RC](#) [REFLECTANCE SENSOR ARRAY](#) [QTR-HD-03RC](#) [REFLECTANCE SENSOR ARRAY](#) [QTR-HD-04RC](#) [REFLECTANCE SENSOR ARRAY](#) [QTR-HD-05RC](#) [REFLECTANCE SENSOR ARRAY](#) [QTR-HD-06RC](#) [REFLECTANCE SENSOR ARRAY](#) [QTR-HD-07RC](#) [REFLECTANCE SENSOR ARRAY](#) [QTR-HD-09RC](#) [REFLECTANCE SENSOR ARRAY](#) [QTR-HD-15RC](#) [REFLECTANCE SENSOR ARRAY](#) [QTR-MD-01RC](#) [REFLECTANCE SENSOR](#) [QTR-MD-02RC](#) [REFLECTANCE SENSOR ARRAY](#) [QTR-MD-03RC](#) [REFLECTANCE SENSOR ARRAY](#) [QTR-MD-04RC](#) [REFLECTANCE SENSOR ARRAY](#) [QTR-MD-05RC](#) [REFLECTANCE SENSOR ARRAY](#) [QTR-MD-08RC](#) [REFLECTANCE SENSOR ARRAY](#) [QTR-HD-01A](#) [REFLECTANCE SENSOR](#) [QTR-HD-02A](#) [REFLECTANCE SENSOR ARRAY](#) [QTR-HD-03A](#) [REFLECTANCE SENSOR ARRAY](#) [QTR-HD-04A](#) [REFLECTANCE SENSOR ARRAY](#) [QTR-HD-05A](#) [REFLECTANCE SENSOR ARRAY](#) [QTR-HD-06A](#) [REFLECTANCE SENSOR ARRAY](#) [QTR-HD-07A](#) [REFLECTANCE SENSOR ARRAY](#) [QTR-HD-09A](#) [REFLECTANCE SENSOR ARRAY](#) [QTR-HD-15A](#) [REFLECTANCE SENSOR ARRAY](#)