

GENERAL DESCRIPTION

OPNCAM8008 is a series of 3D ToF cameras, based on OPNOUS HAWK platform. This platform consists of image sensor, VCSEL driver, ToF ISP, and all of them are developed by OPNOUS.

High integration, long measurement range, less exposure time and easy use are the key features of OPNCAM8008, which make it ideal for 3D depth sensing applications.

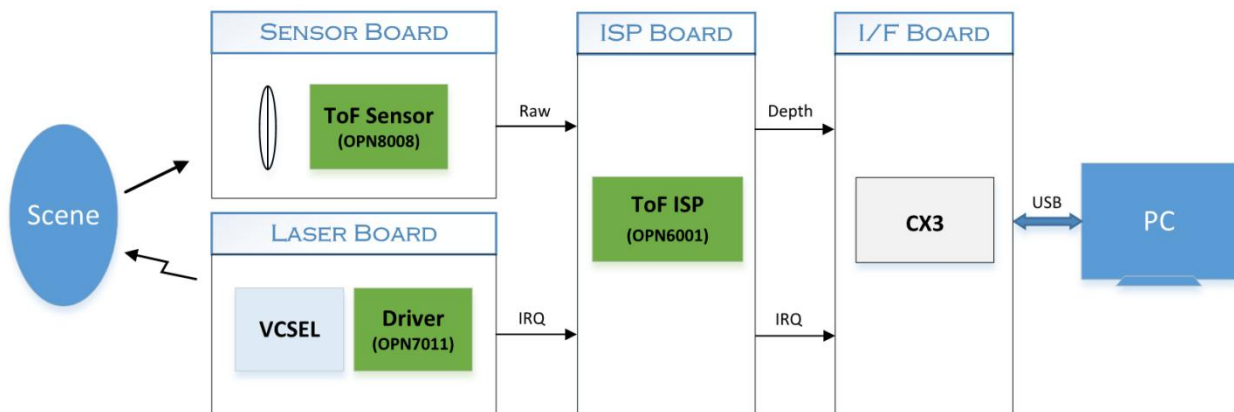
This camera comes with OPNOUS's powerful SDK, contains APIs, example code and depth display tool- OPN ToF Viewer, it's a cross platform compatible software package.



TYPICAL APPLICATIONS

- ✓ Face recognition and face motion tracking
- ✓ 3D reconstruction
- ✓ AR/VR
- ✓ Hand and finger tracking for gesture control and interaction with virtual objects
- ✓ Visual support for robot grippers
- ✓ People counting and motion analysis
- ✓ Health care
- ✓ Surveillance

SYSTEM DIAGRAM

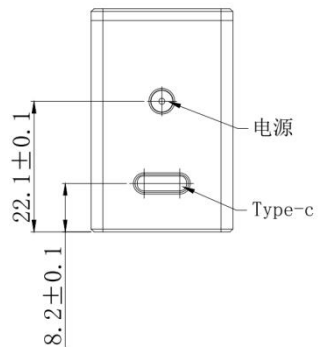
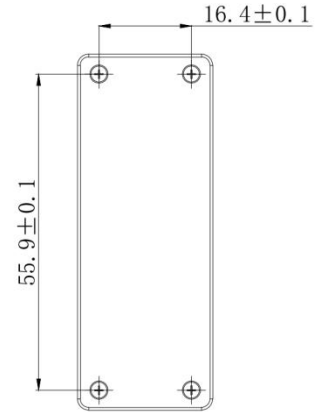
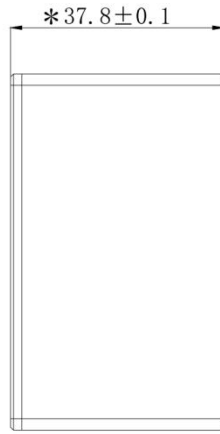
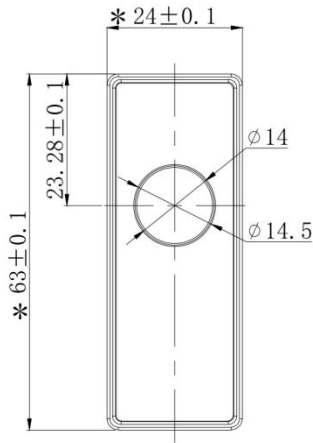


KEY SPECIFICATIONS

Parameter	Description
Sensor	OPN8008D, global shutter
Resolution	320 * 240
Pixel size	15um
Sensor size	1/3"
Dimensions (L*W*H)	63.00mm * 24.00mm * 37.80mm
Frame rate	5 – 30 fps
Measurement range	0.2 – 10m ¹
FOV (H*V)	86° * 68° / 110° * 90° / 24° * 18° ²
Distortion	<2.5%
Illumination	850nm / 940nm ²
Power consumption	TBD. Typ ³
Depth accuracy	<=1% ⁴
Interface	USB3.0

1. If need longer range, please contact OPNOUS.
2. Customizable, please contact OPNOUS for detailed information.
3. Typical application, room temperature, 5fps, >85% reflection chart.
4. Dark room, >85% reflection chart.

DIMENSIONS



ORDER INFORMATION

Part Number	Resolution	Range	IR Filter	FoV	Interface
OPNCAM8008/588-1MA-UA	320 x 240	5m	850nm	86 x 68	USB 3.0
OPNCAM8008/58B-1MA-UA	320 x 240	5m	850nm	110 x 90	USB 3.0
OPNCAM8008/A92-1MA-UA	320 x 240	10m	940nm	24 x 18	USB 3.0

REVISION HISTORY

Revision	Date	Description
V1.0	2020/4/12	Initial revision.

X-ON Electronics

Largest Supplier of Electrical and Electronic Components

Click to view similar products for [Cameras & Camera Modules](#) category:

Click to view products by [Seeed Studio](#) manufacturer:

Other Similar products are found below :

[FH-SC](#) [LI-OV9712-USB-M12](#) [CAMOV5645](#) [73-540-420I](#) [Web Camera module 5.0M pixel](#) [LI-IMX424-GMSL2-070H](#) [FIT0729](#) [AWC-002](#)
[LI-AR0231-GMSL2-CFM-176H-010](#) [LI-USB30-IMX490-GW5400-GMSL2-065H](#) [FIT0730](#) [73-951-0046](#) [73-954-0001T](#) [73-961-0005](#) [1202](#)
[1203](#) [73-961-0003](#) [73-961-0012](#) [107139](#) [107115](#) [107149](#) [107142](#) [82535IVCHVM](#) [107140](#) [107113](#) [107112](#) [107141](#) [107147](#) [107148](#) [107110](#)
[107150](#) [107145](#) [107111](#) [OKY3553](#) [10299](#) [10300](#) [613](#) [82637BRPLHV](#) [EP-DCINTELD-415](#) [1386](#) [4321](#) [4561](#) [NEON-203B-JNX Starter Kit,](#)
[2M, 30fps](#) [NEON-202B-JT2-X Starter Kit, 1.9M, 60fps](#) [NEON-203B-JT2-X Starter Kit, 2M, 30fps](#) [NEON-204B-JT2-X Starter Kit, 5M, 14fps](#)
[NEC_B&W_SGA_FOV120_F4.0](#) [AD-3DSMARTCAM1-PRZ](#) [43203](#) [104002](#)